



US00D394160S

United States Patent [19] Yarbrough

[11] Patent Number: **Des. 394,160**
[45] Date of Patent: ****May 12, 1998**

[54] **FOLDABLE EASEL**

[75] Inventor: **Denada A. Yarbrough**, Moore, S.C.

[73] Assignee: **Greenleaf, Inc.**, Spartanburg, S.C.

[**] Term: **14 Years**

[21] Appl. No.: **53,745**

[22] Filed: **Apr. 29, 1996**

[51] LOC (6) Cl. **06-07**

[52] U.S. Cl. **D6/310; D6/300**

[58] Field of Search **D6/300, 308-314,
D6/419; 248/441.1, 451, 460, 459; 40/700,
711, 761-764**

[56] **References Cited**

U.S. PATENT DOCUMENTS

- D. 227,326 6/1973 Venuta .
- D. 243,492 3/1977 Gorwits .
- D. 249,953 10/1978 Drake .
- D. 256,203 8/1980 Brothers .
- D. 334,479 4/1993 Glick D6/310
- 591,089 10/1897 Berbecker .
- 777,658 12/1904 Bird .
- 1,399,507 12/1921 Mills, Jr. .
- 1,666,400 1/1928 Rose .
- 1,925,649 8/1933 Anderson .
- 3,593,955 7/1971 Hind 248/460 X
- 5,058,850 10/1991 Glick .
- 5,388,798 2/1995 Glick .

OTHER PUBLICATIONS

Studio Specialists Ltd., lower left easel.
Catalog, 28 pages. Entitled "The Display Collection" By
Tripar International, Inc., Roselle, IL.

Catalog, 8 pages. By Avanti Display, Richmond, California
Brochure, 4 pages. By Avanti Display, Richmond, California
Sep. 1, 1994.

Primary Examiner—Janice E. Seeger
Attorney, Agent, or Firm—Dority & Manning, P.A.

[57] **CLAIM**

The ornamental design for foldable easel, as shown and described.

DESCRIPTION

FIG. 1 is a front elevational view of foldable easel embodying the design of the present invention, and shown in an unfolded condition thereof;

FIG. 2 is a front elevational view of the subject design, as seen in a folded condition thereof;

FIG. 3 is a back elevational view of the subject design in the folded condition thereof;

FIG. 4 is a left side elevational view of the subject design, in the folded condition thereof;

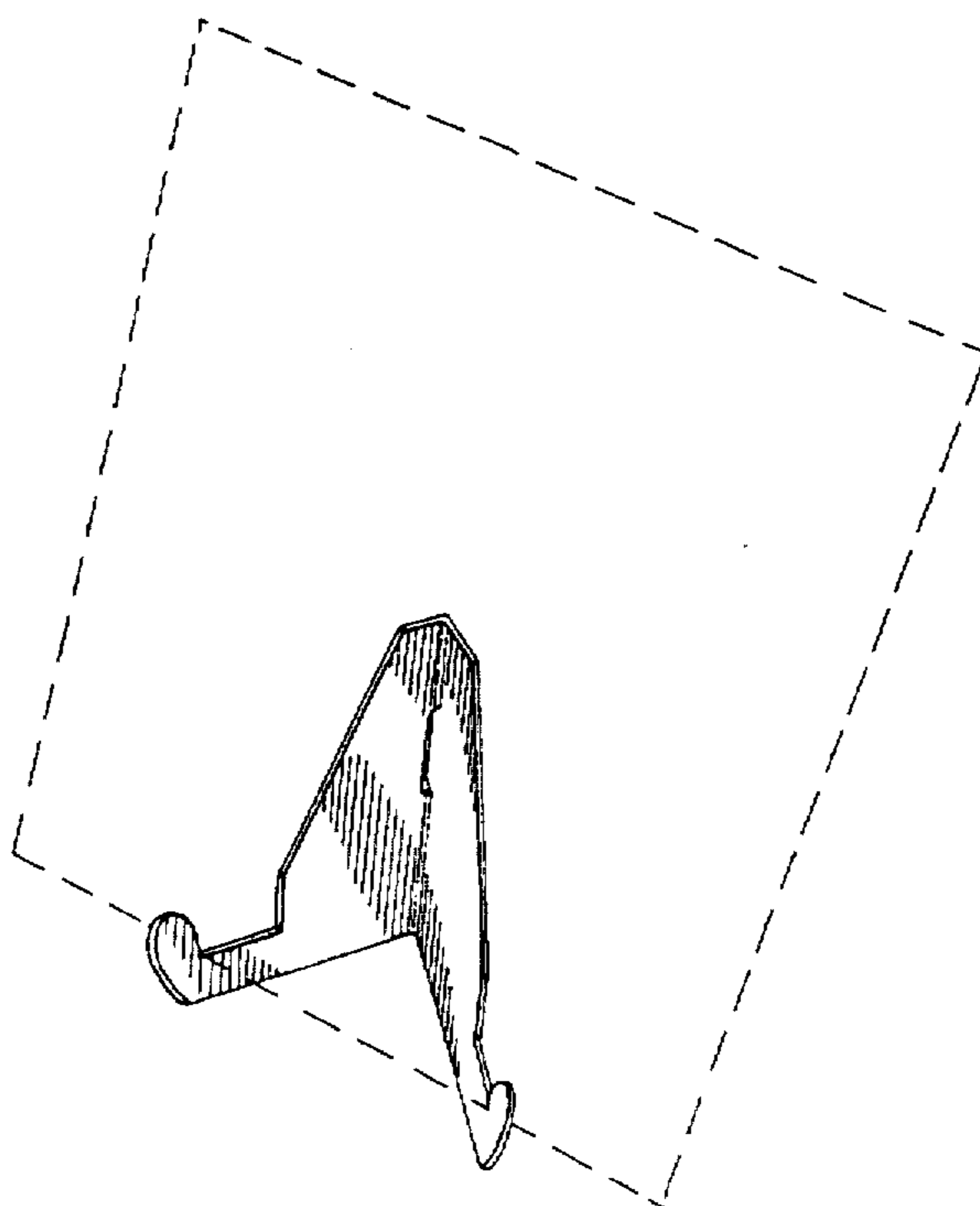
FIG. 5 is a right side elevational view of the subject design, in the folded condition thereof;

FIG. 6 is a top elevational view of the subject design, in the folded condition thereof;

FIG. 7 is a bottom elevational view of the subject design, in the folded condition thereof; and,

FIG. 8 is a perspective view in folded condition; the broken lines are for environmental purposes only and form no part of the claimed design.

1 Claim, 3 Drawing Sheets



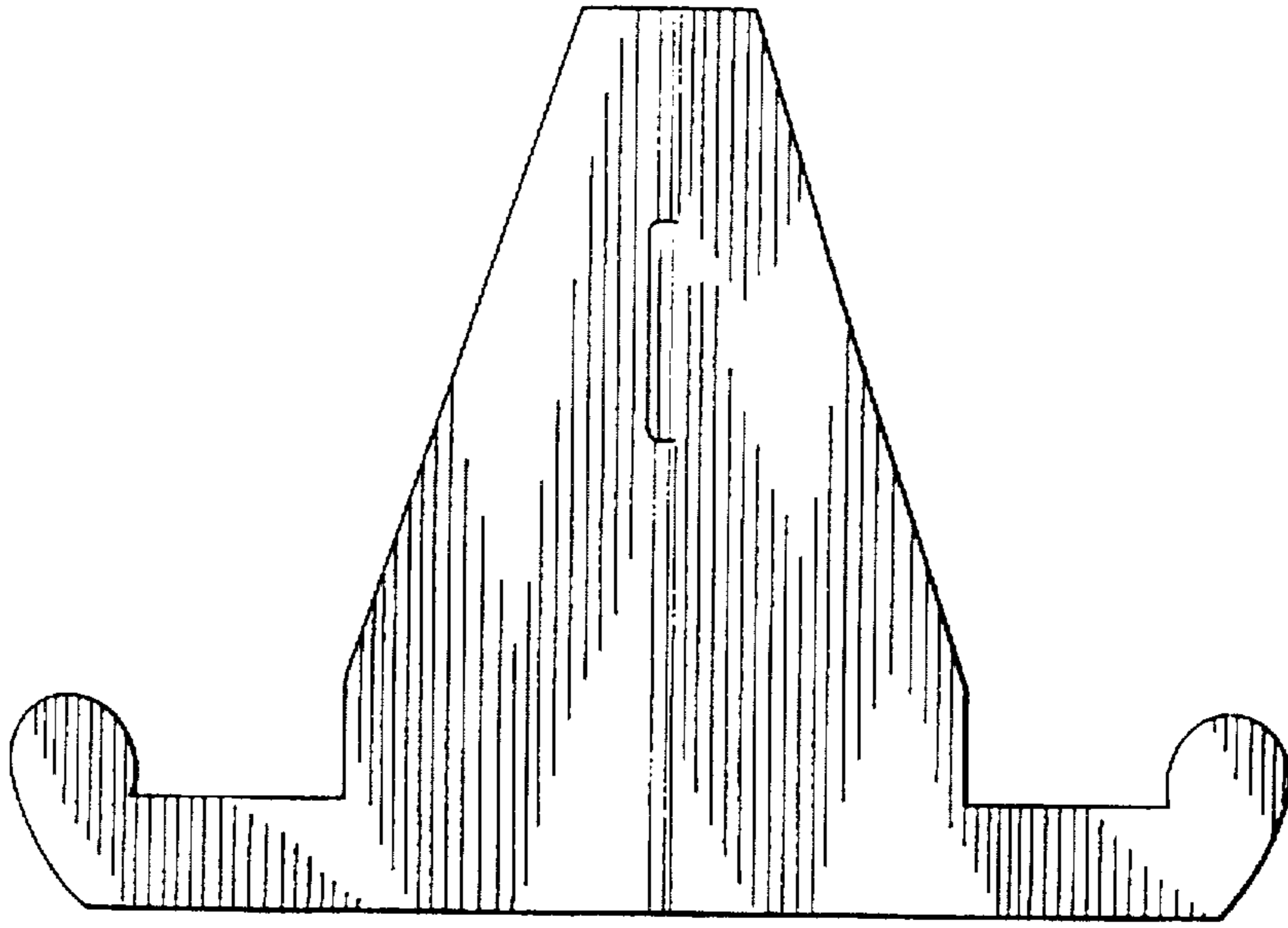


Fig. 1

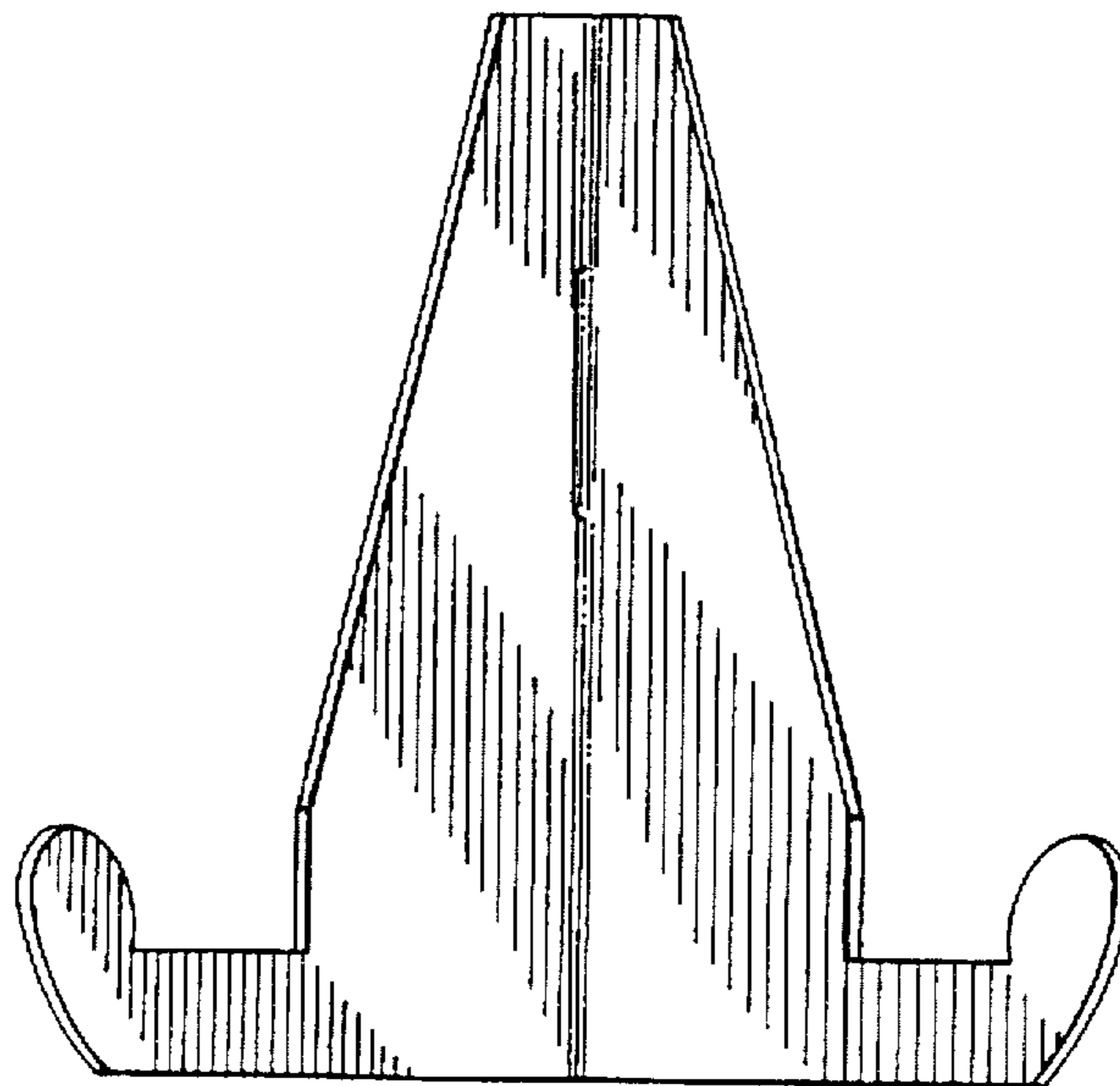


Fig. 2

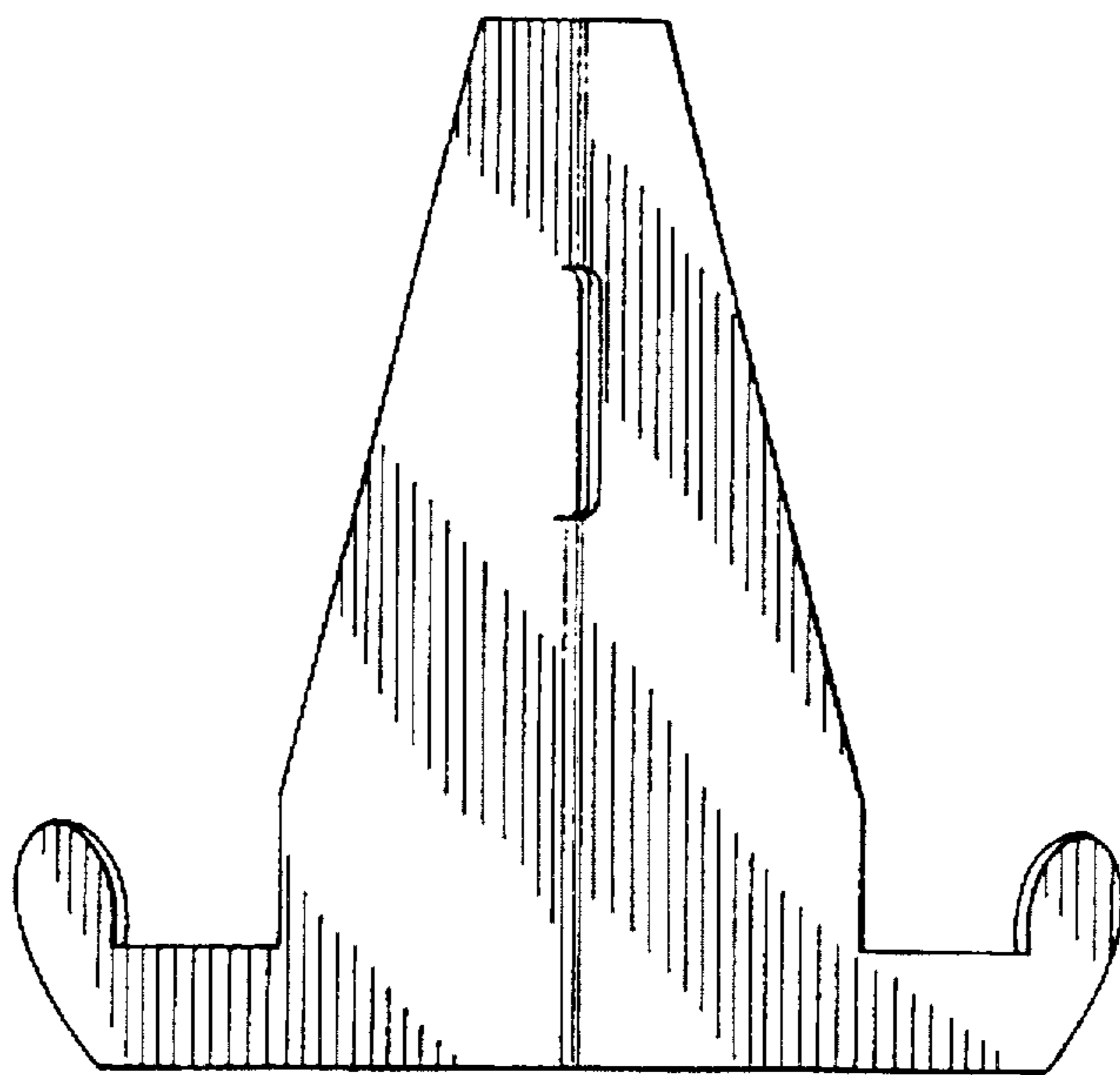


Fig. 3

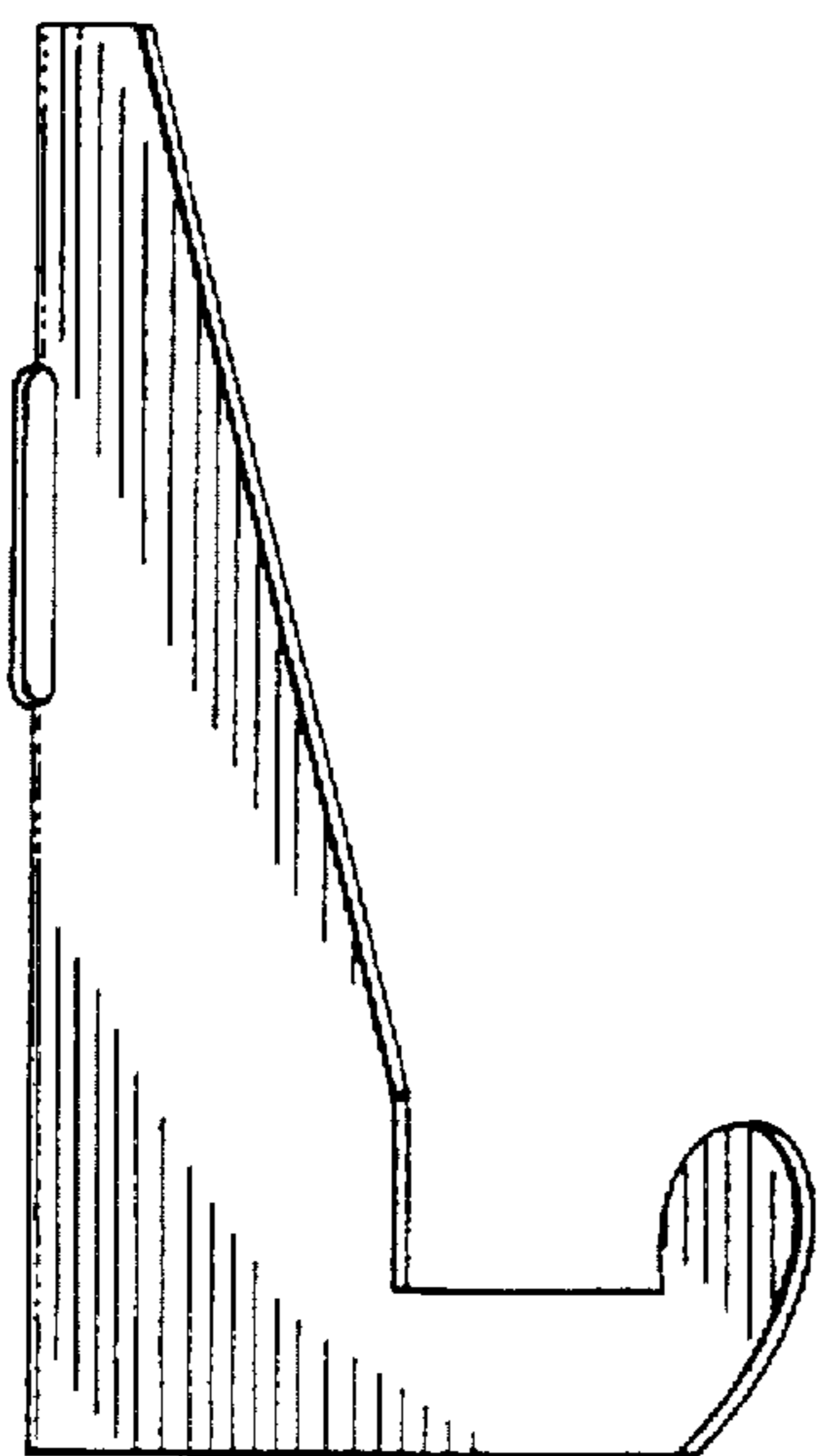


Fig. 4

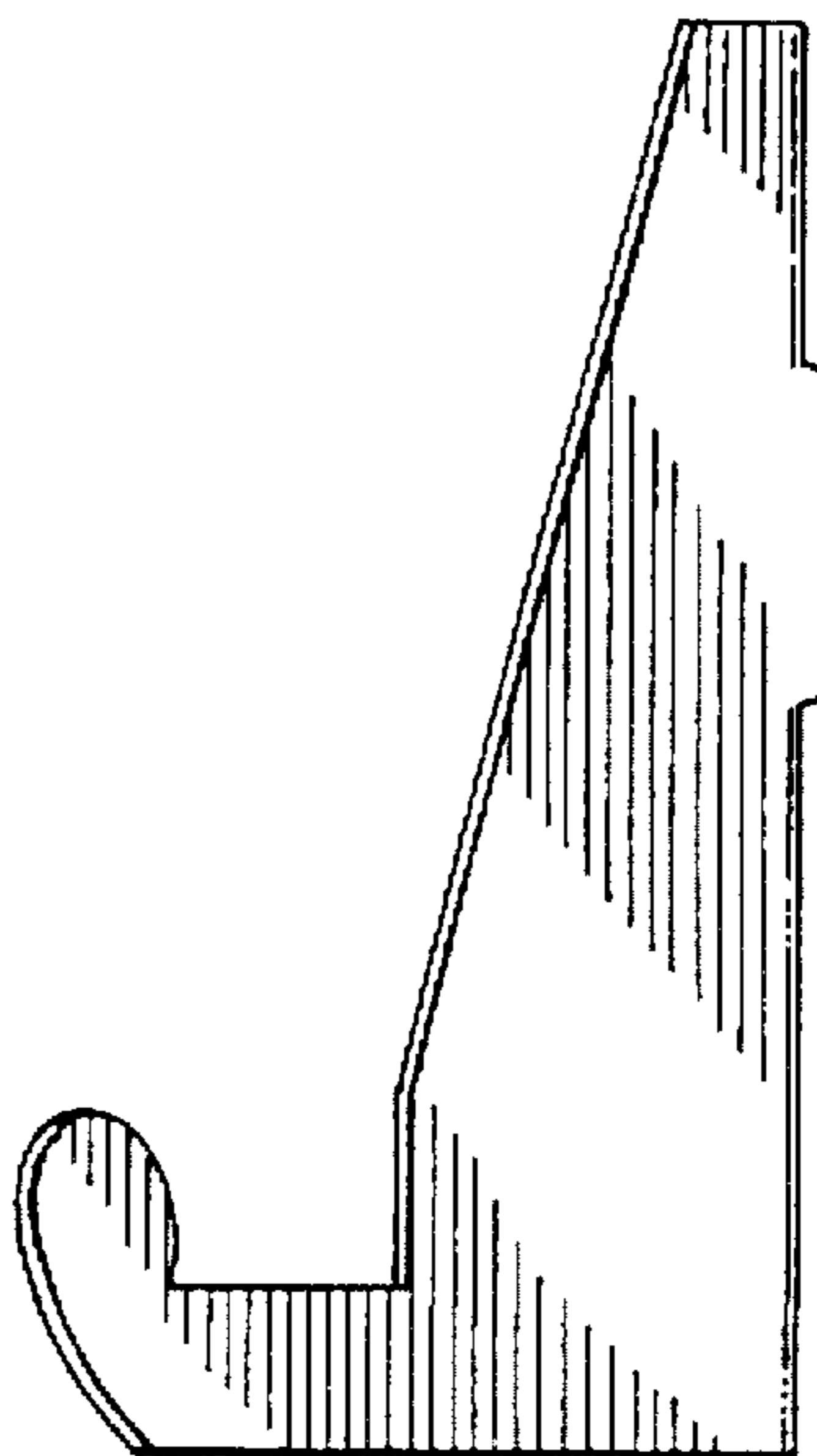


Fig. 5

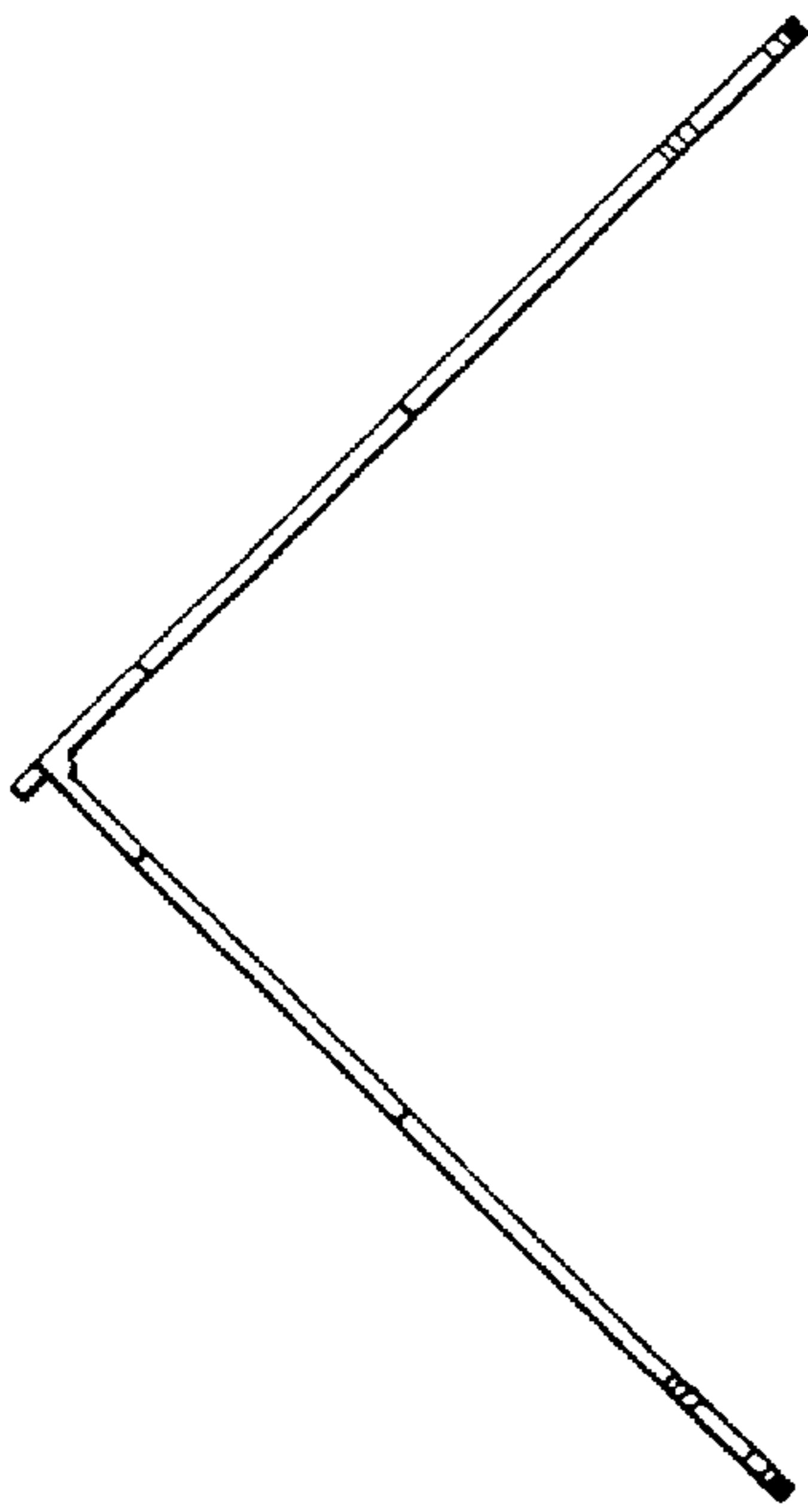


Fig. 6

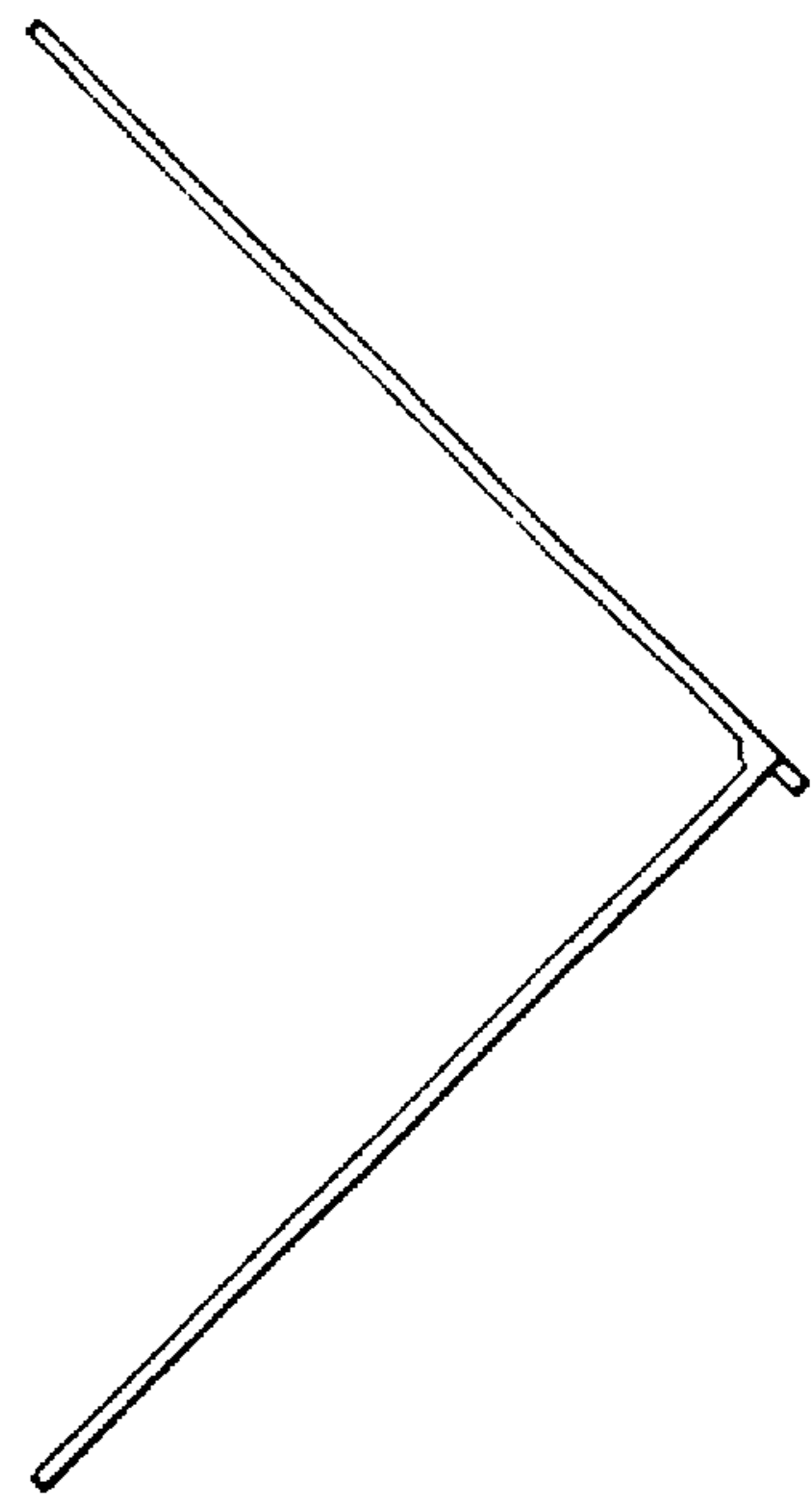


Fig. 7

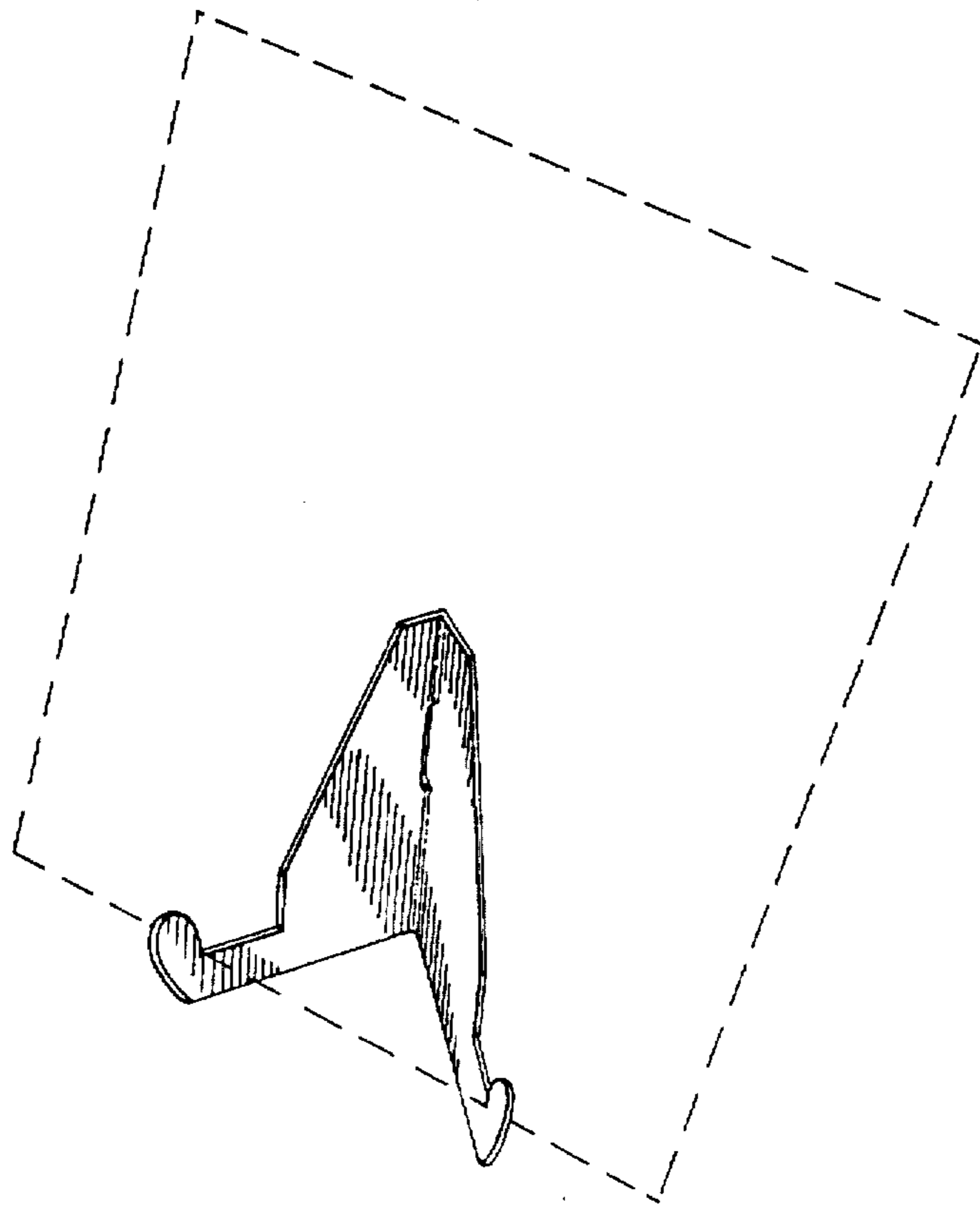


Fig. 8