



US00D394136S

**United States Patent** [19]  
**Richlin**

[11] **Patent Number: Des. 394,136**  
[45] **Date of Patent: \*\*May 12, 1998**

[54] **PIERCED CAP**

[76] **Inventor: Sidney Richlin, 909 N. Bedford Dr., Beverly Hills, Calif. 90210**  
[\*\*] **Term: 14 Years**  
[21] **Appl. No.: 57,949**  
[22] **Filed: Aug. 5, 1996**  
[51] **LOC (6) Cl. .... 02-02**  
[52] **U.S. Cl. .... D2/866**  
[58] **Field of Search ..... D2/865, 866, 882, D2/883, 884, 891; 2/10, 195.1**

[56] **References Cited**

**U.S. PATENT DOCUMENTS**

D. 259,520	6/1981	Rappaport	.....	D2/882
D. 365,917	1/1996	Armstrong	.....	D2/865
1,598,313	8/1926	Rosenberg	.....	2/195.1 X
1,598,314	8/1926	Rosenberg	.....	D2/884 X
2,328,687	9/1943	Serr	.....	2/10
2,393,286	1/1946	Brunner	.....	D2/891 X

*Primary Examiner*—Paula A. Mortimer  
*Attorney, Agent, or Firm*—Fulbright & Jaworski

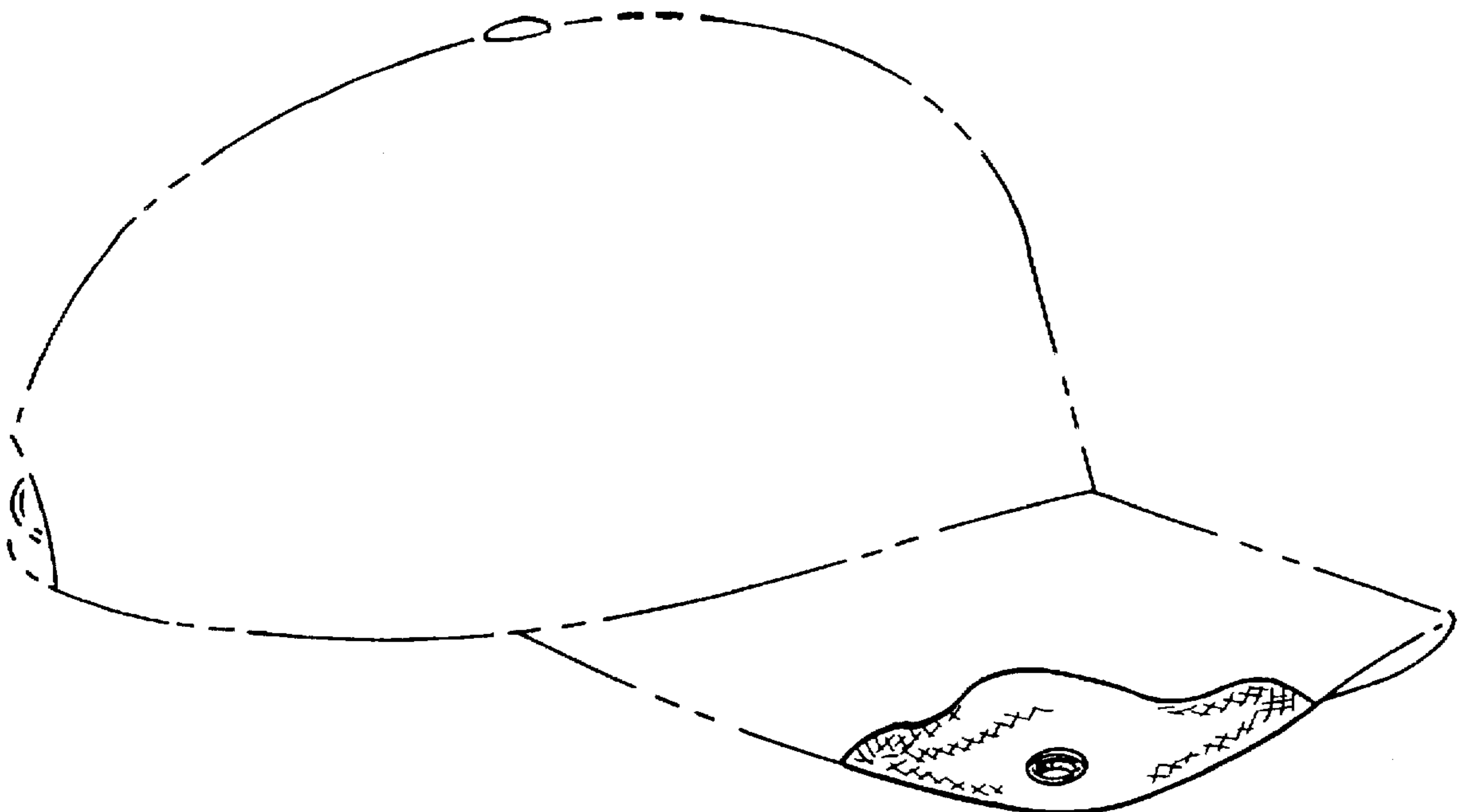
[57] **CLAIM**

The ornamental design for a pierced cap, as shown and described.

**DESCRIPTION**

FIG. 1 is a left front perspective view of a first embodiment of pierced cap showing my new design, the broken line showing of the cap is for illustrative purposes only and forms no part of the claimed design;  
FIG. 2 is a front elevational view thereof;  
FIG. 3 is a left side elevational view thereof;  
FIG. 4 is a bottom plan view thereof;  
FIG. 5 is a top plan view thereof;  
FIG. 6 is a left front view of a second embodiment of a pierced cap showing my design, the broken line showing of the cap is for illustrative purposes only and forms no part of the claimed design;  
FIG. 7 is a front elevational view thereof;  
FIG. 8 is a left side elevational view thereof;  
FIG. 9 is a bottom plan view thereof;  
FIG. 10 is a top plan view thereof;  
FIG. 11 is a left perspective view of a third embodiment of a pierced cap showing my design, the broken line showing of the cap is for illustrative purposes only and forms no part of the claimed design;  
FIG. 12 is a front elevational view thereof;  
FIG. 13 is a left side elevational view thereof;  
FIG. 14 is a bottom plan view thereof; and,  
FIG. 15 is a top plan view thereof.

**1 Claim, 6 Drawing Sheets**



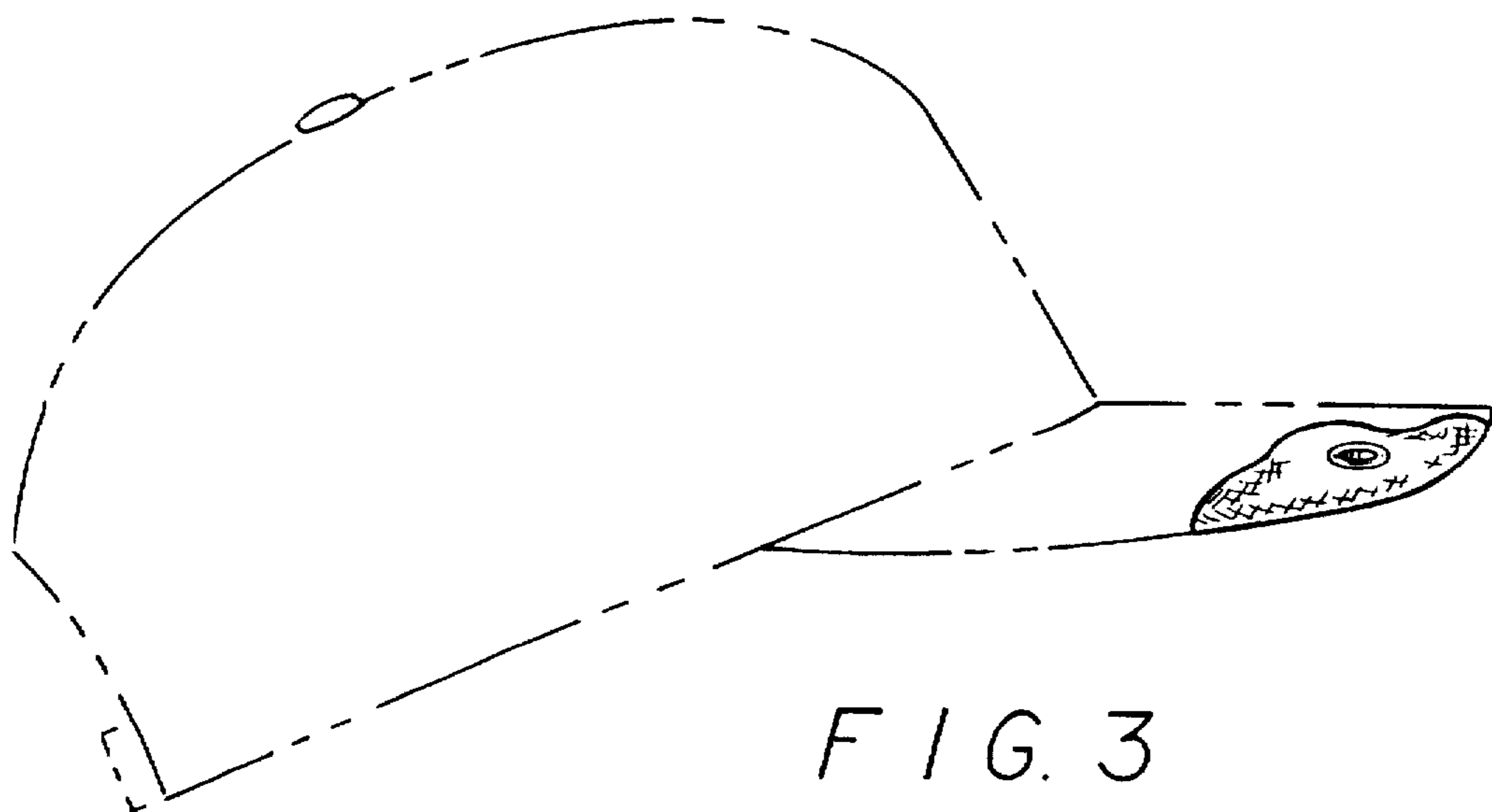
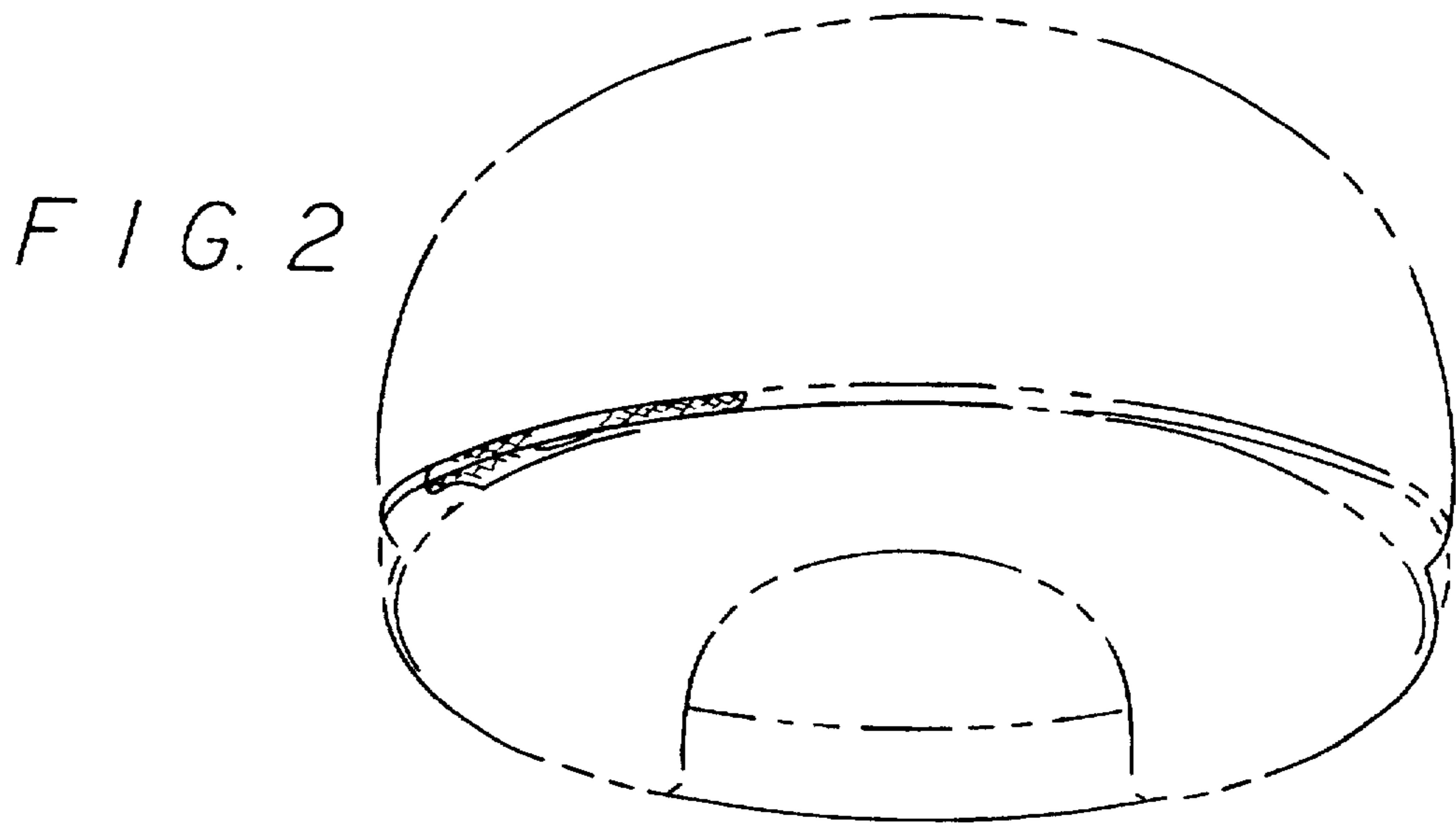
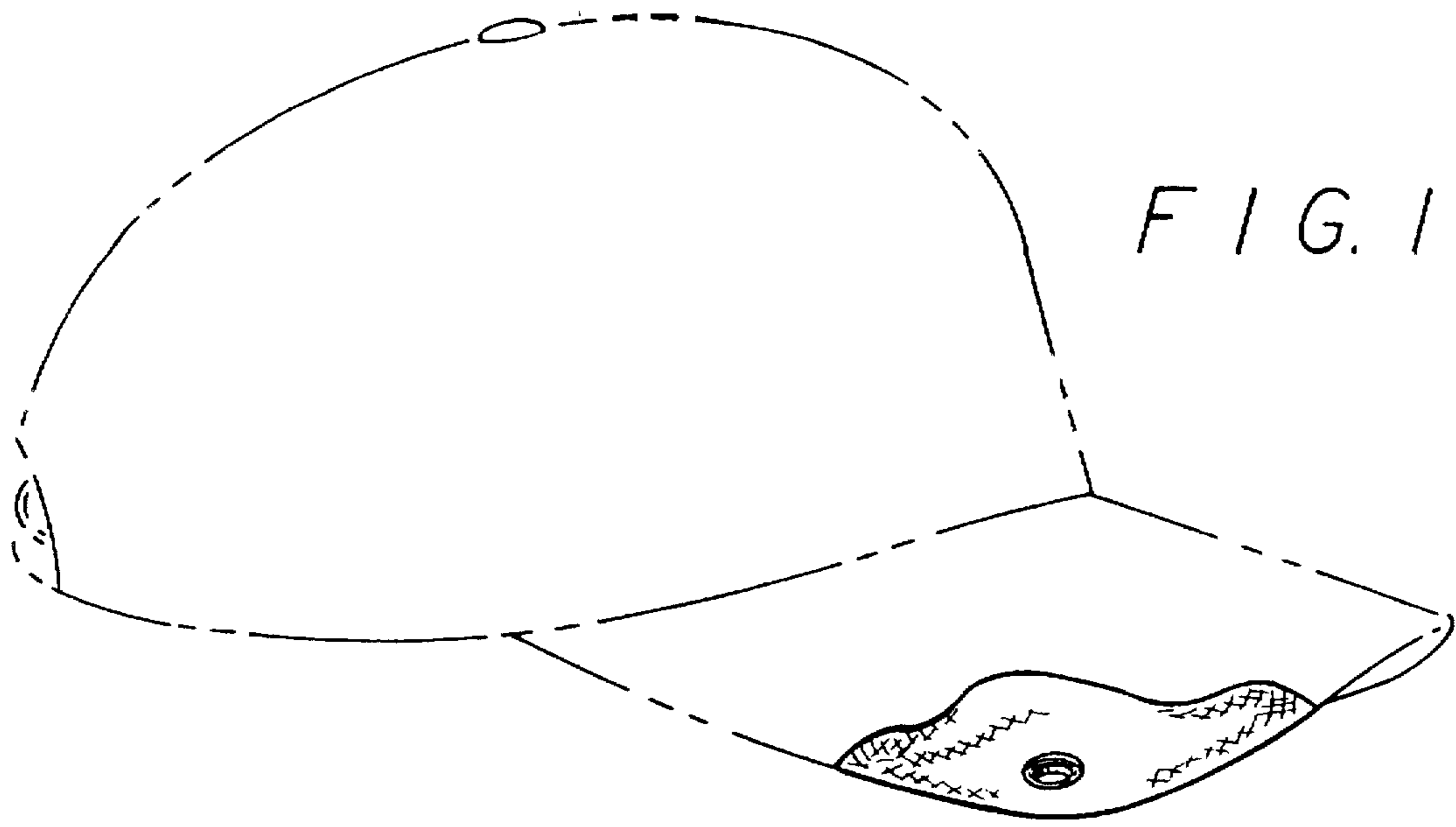


FIG. 4

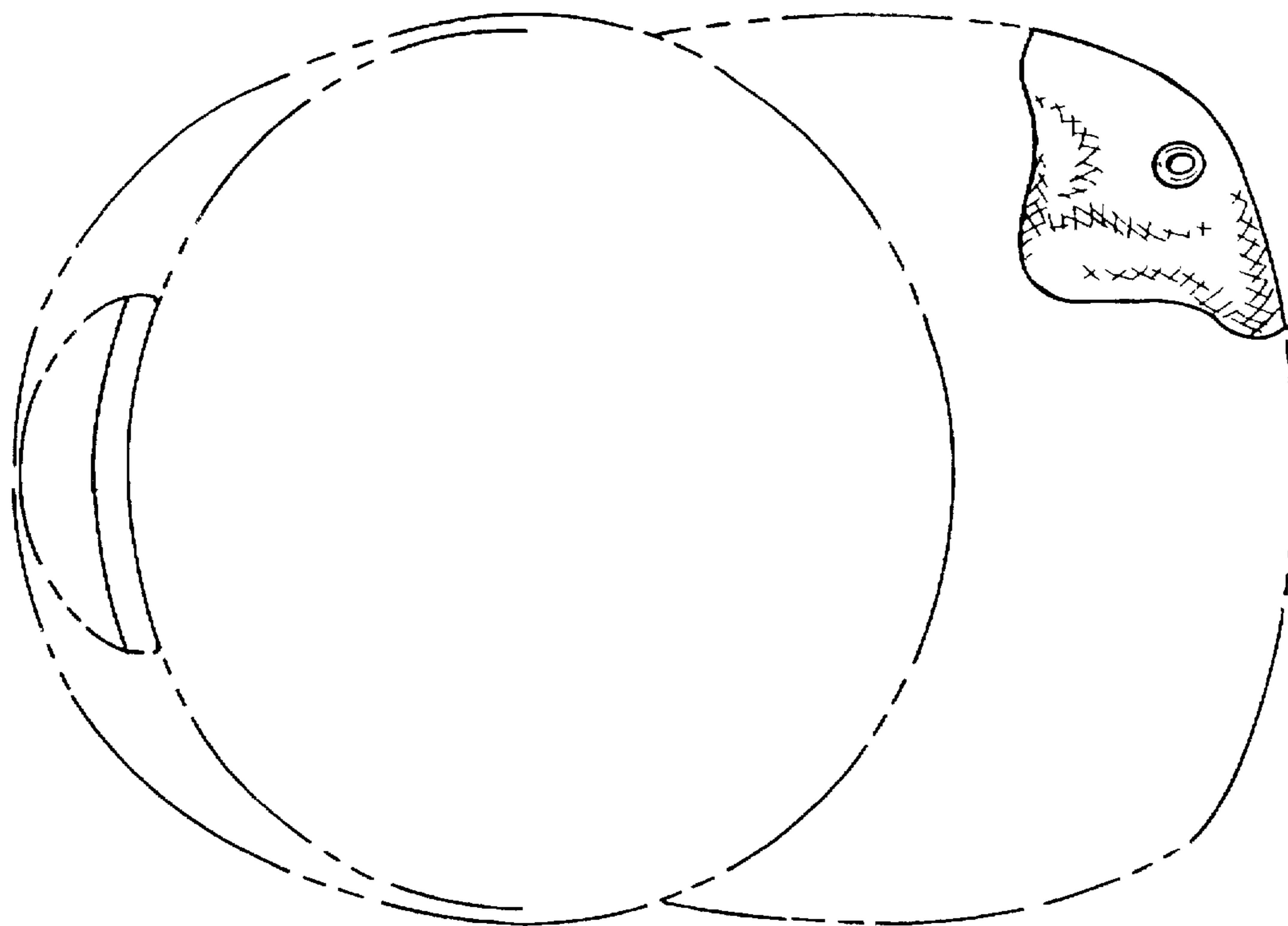
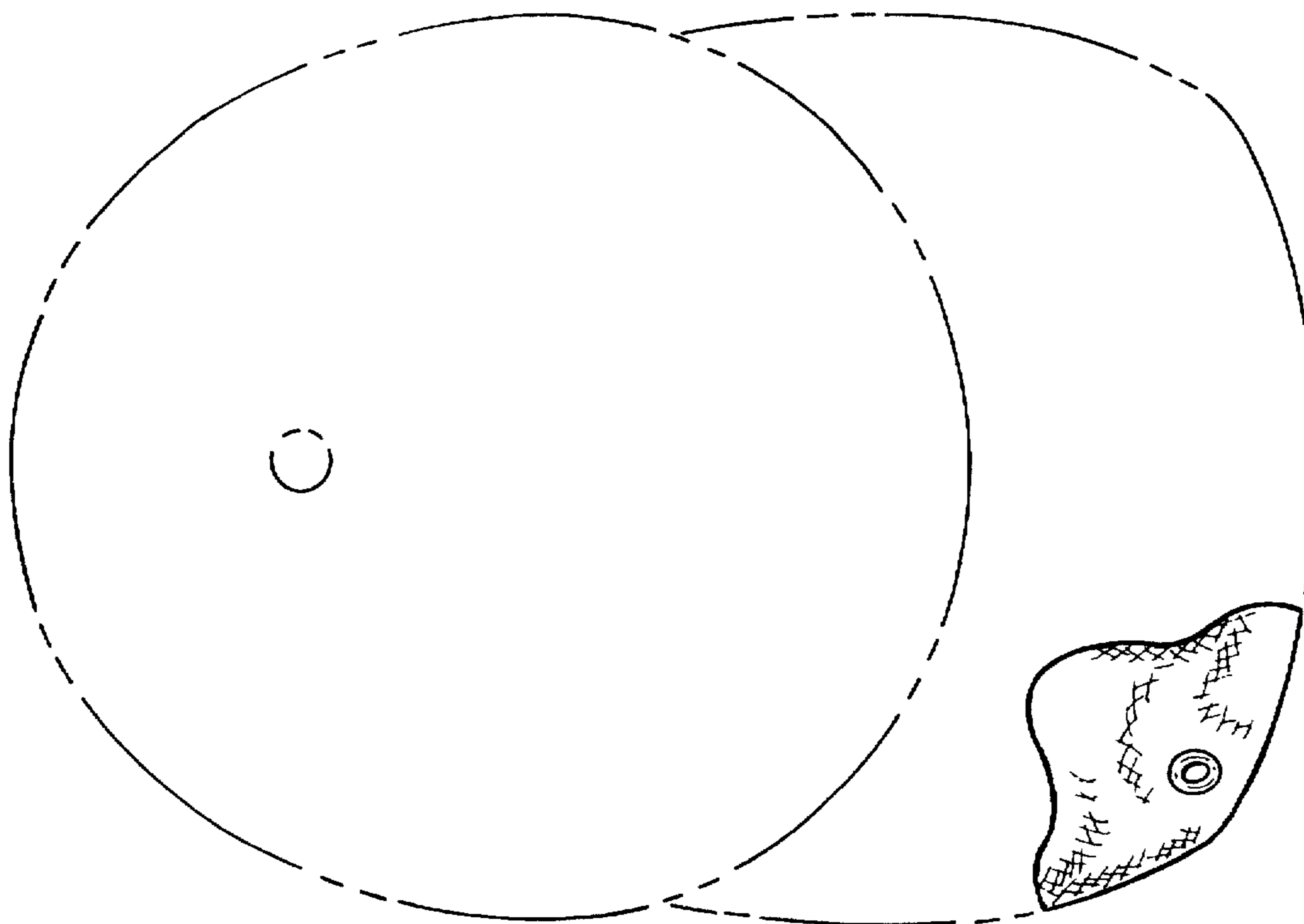


FIG. 5



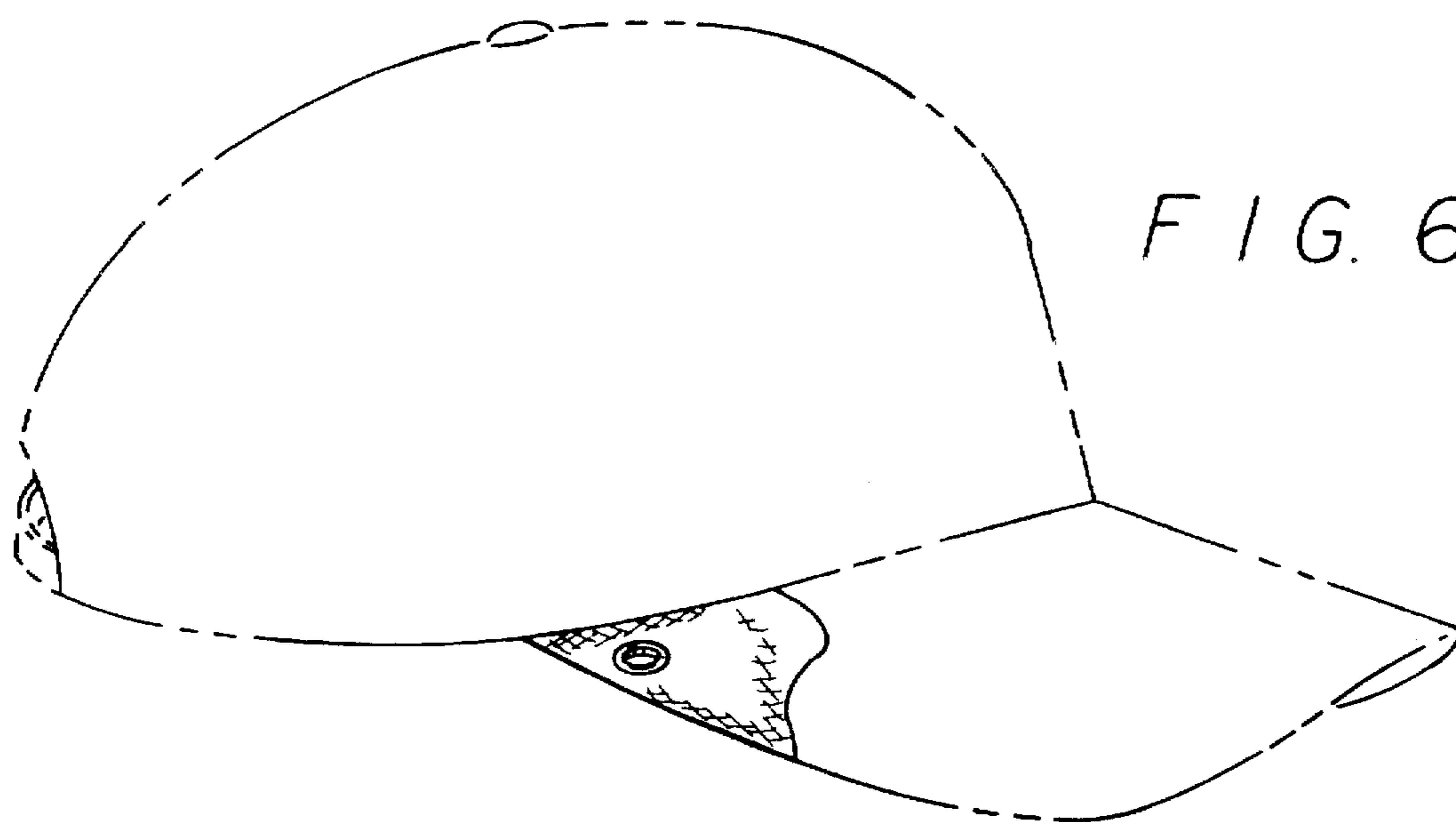


FIG. 6

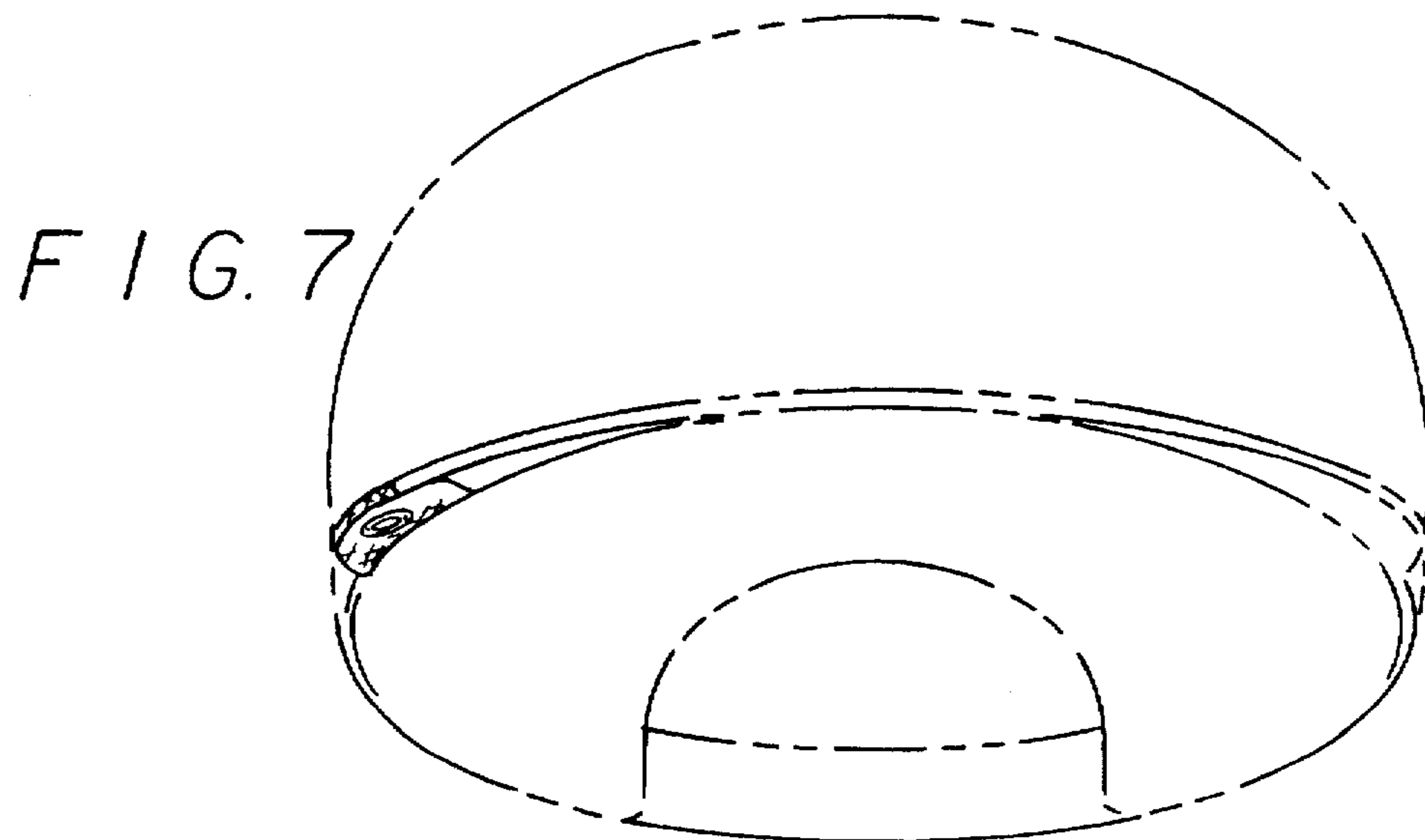


FIG. 7

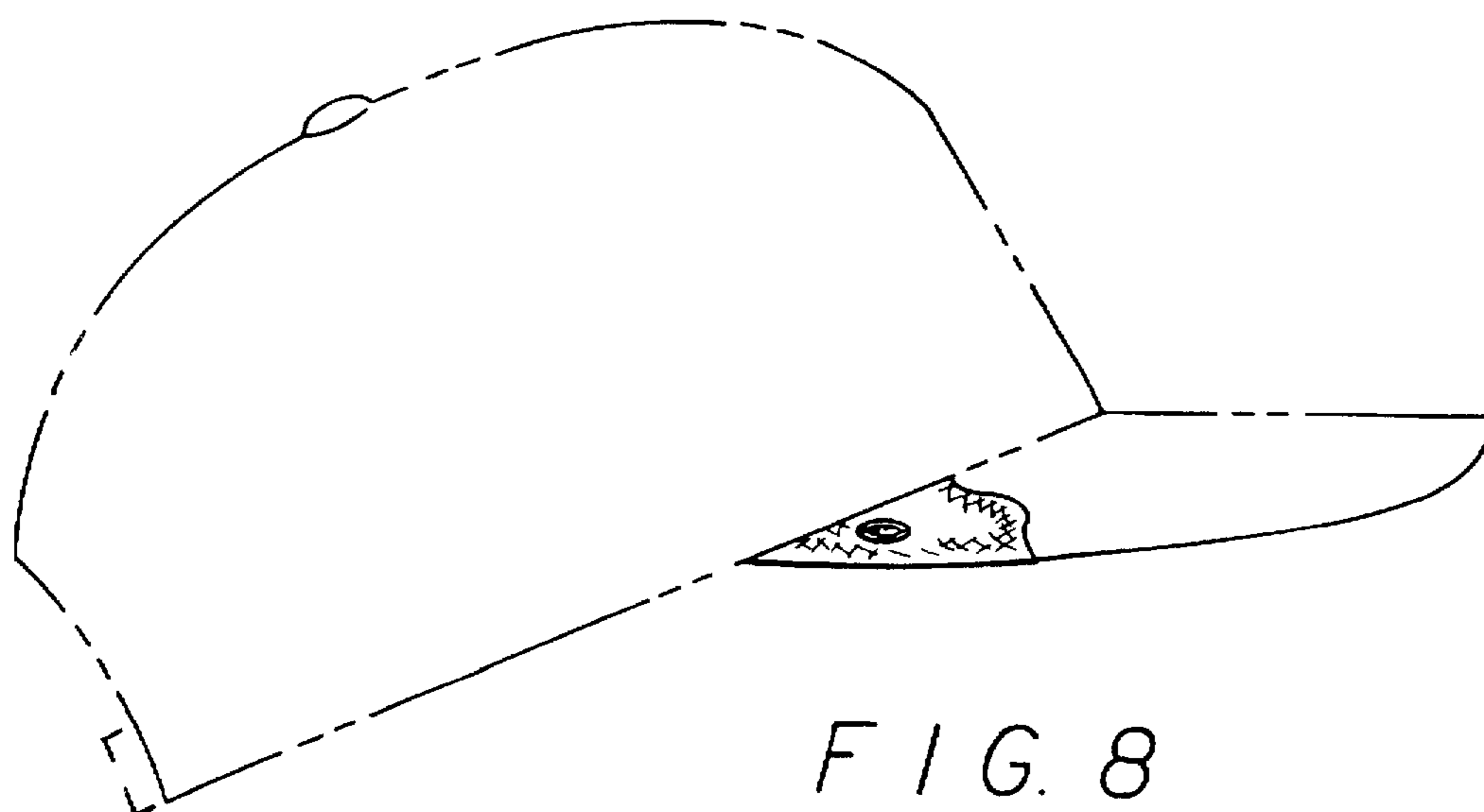


FIG. 8

FIG. 9

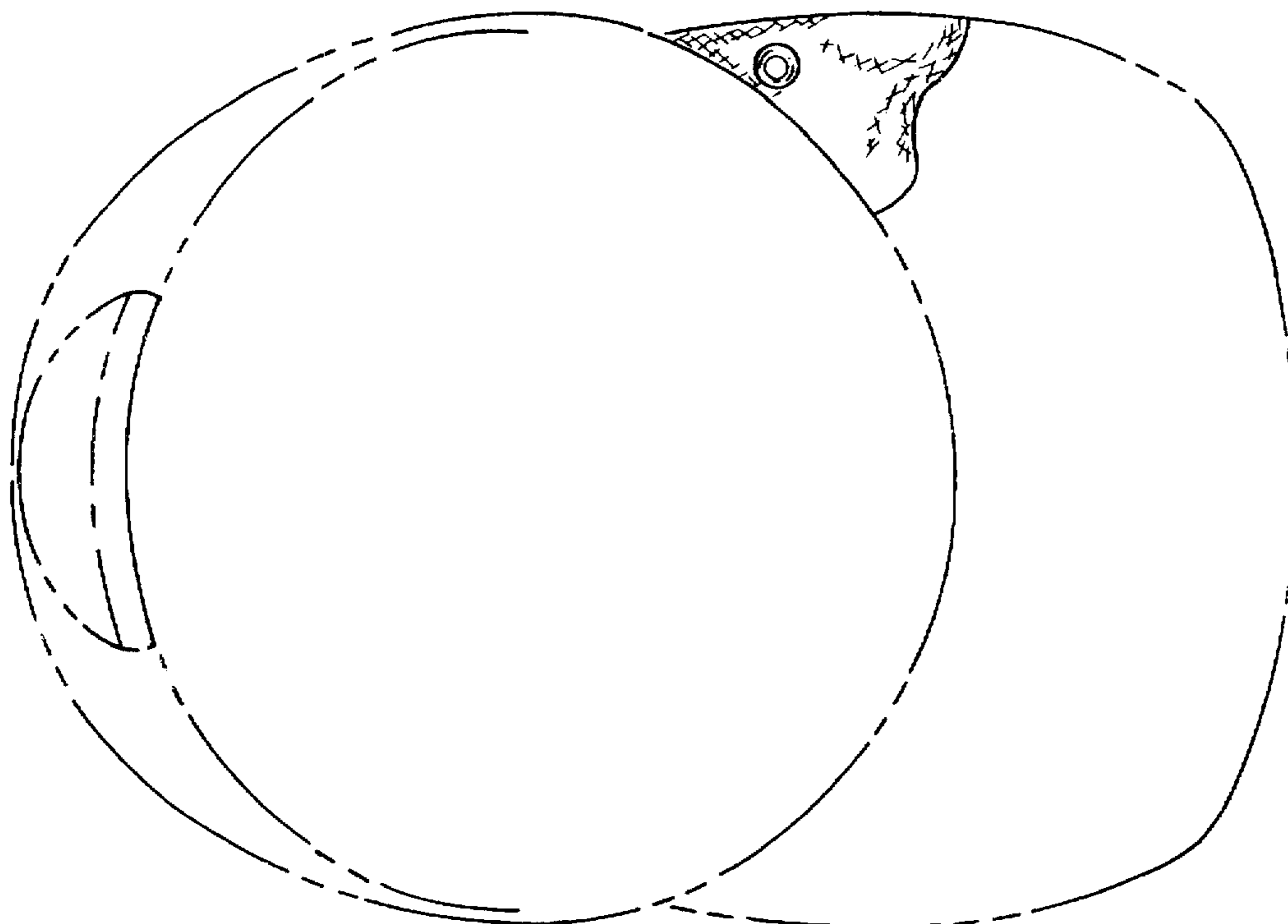
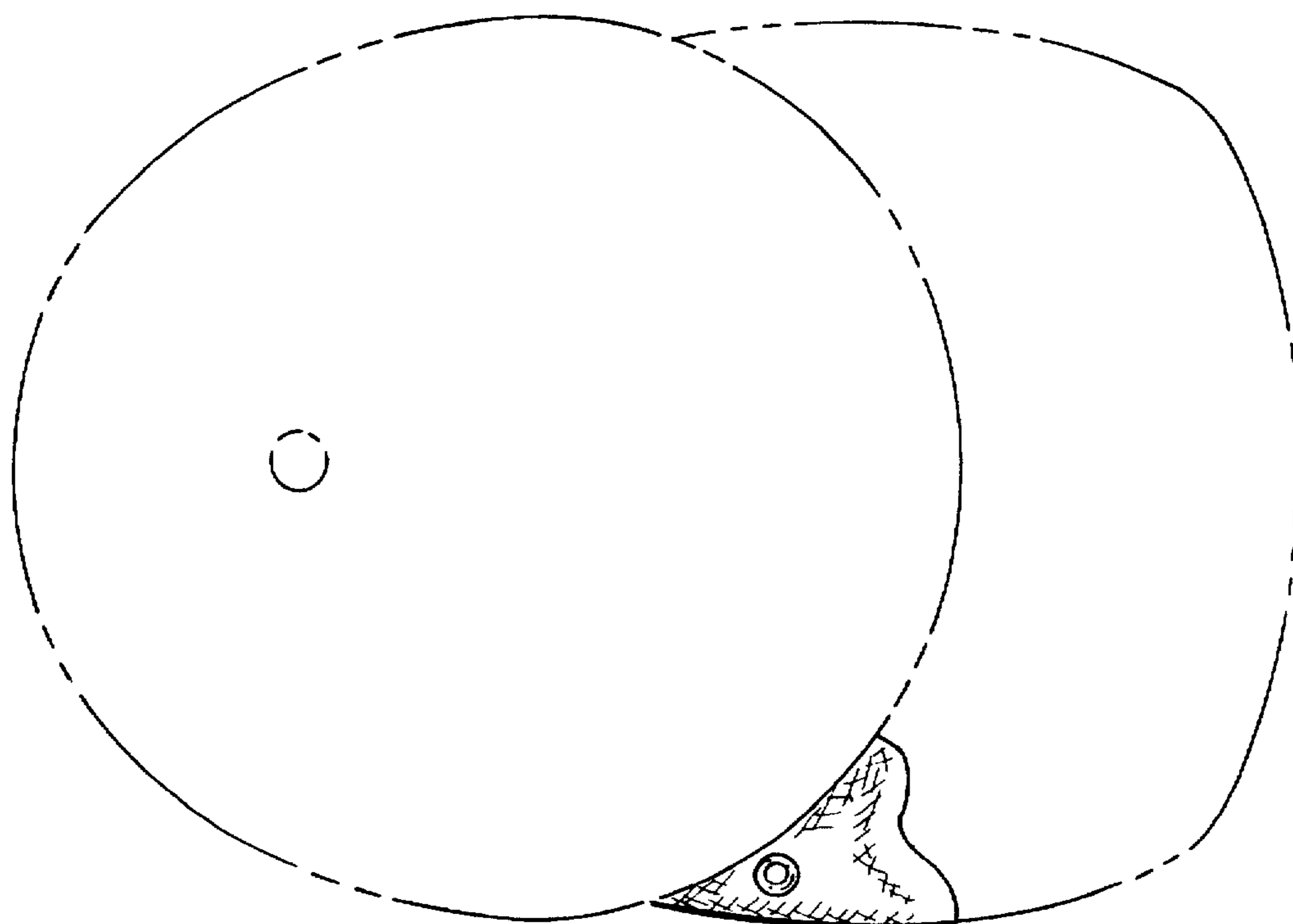


FIG. 10



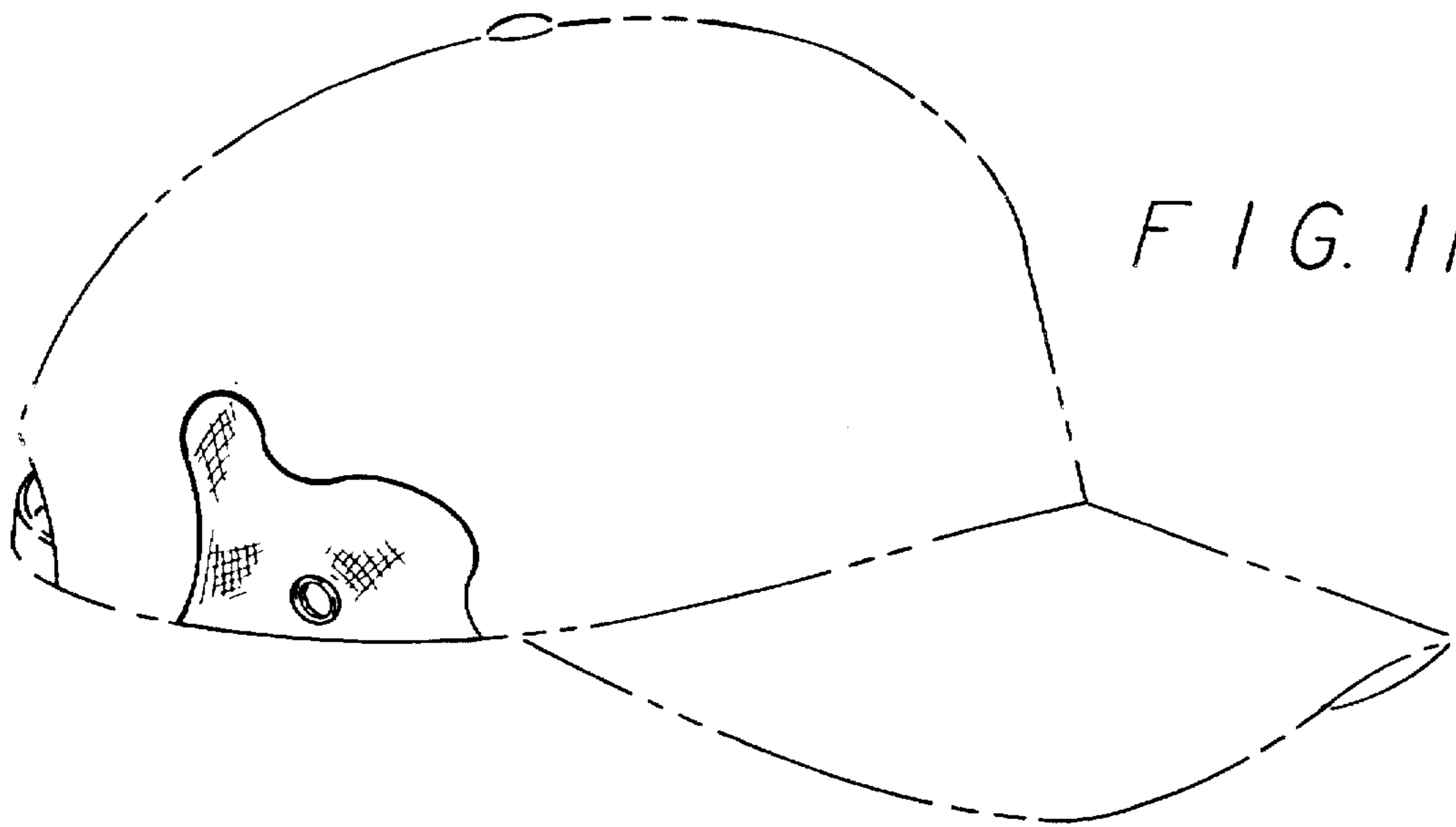


FIG. 12

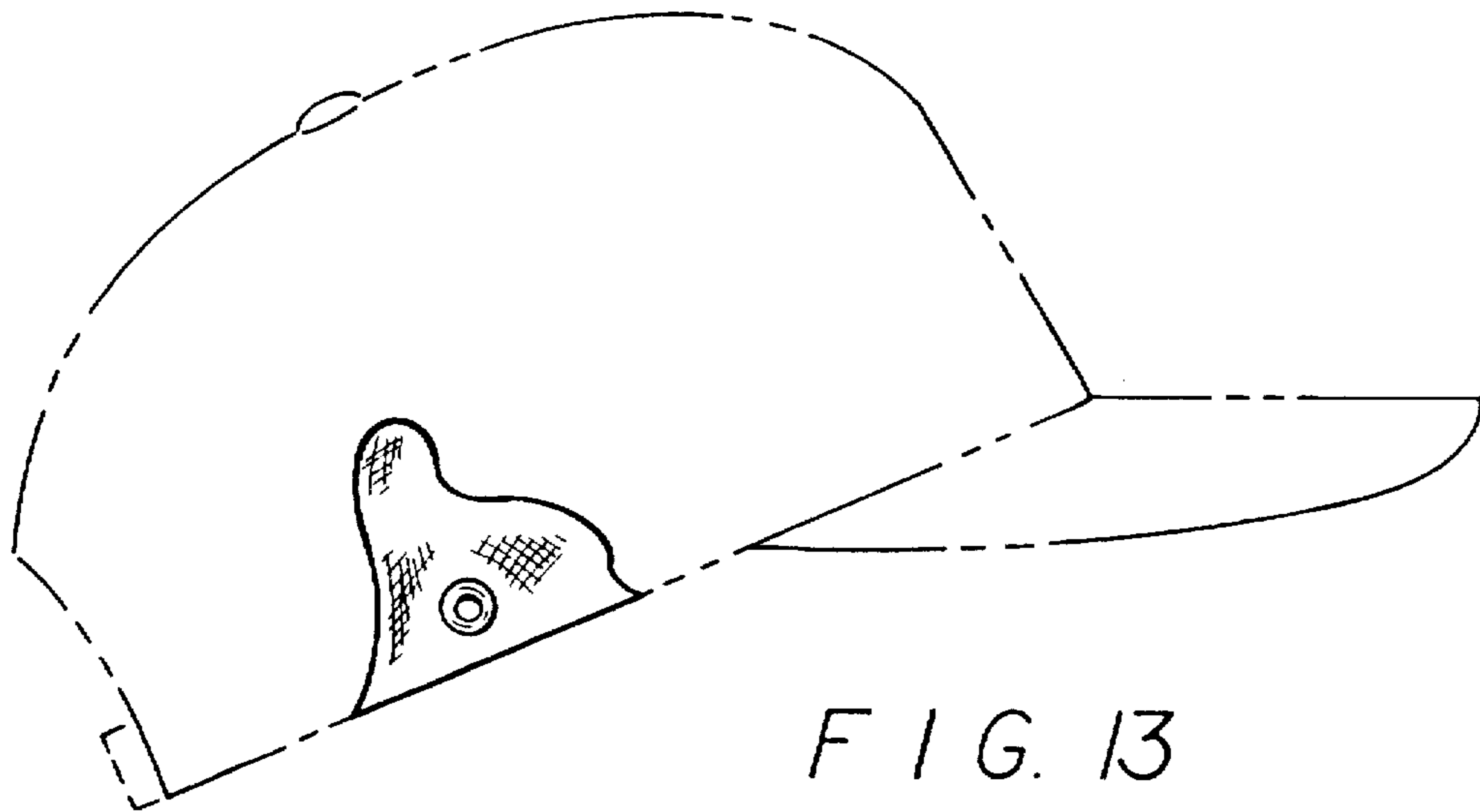
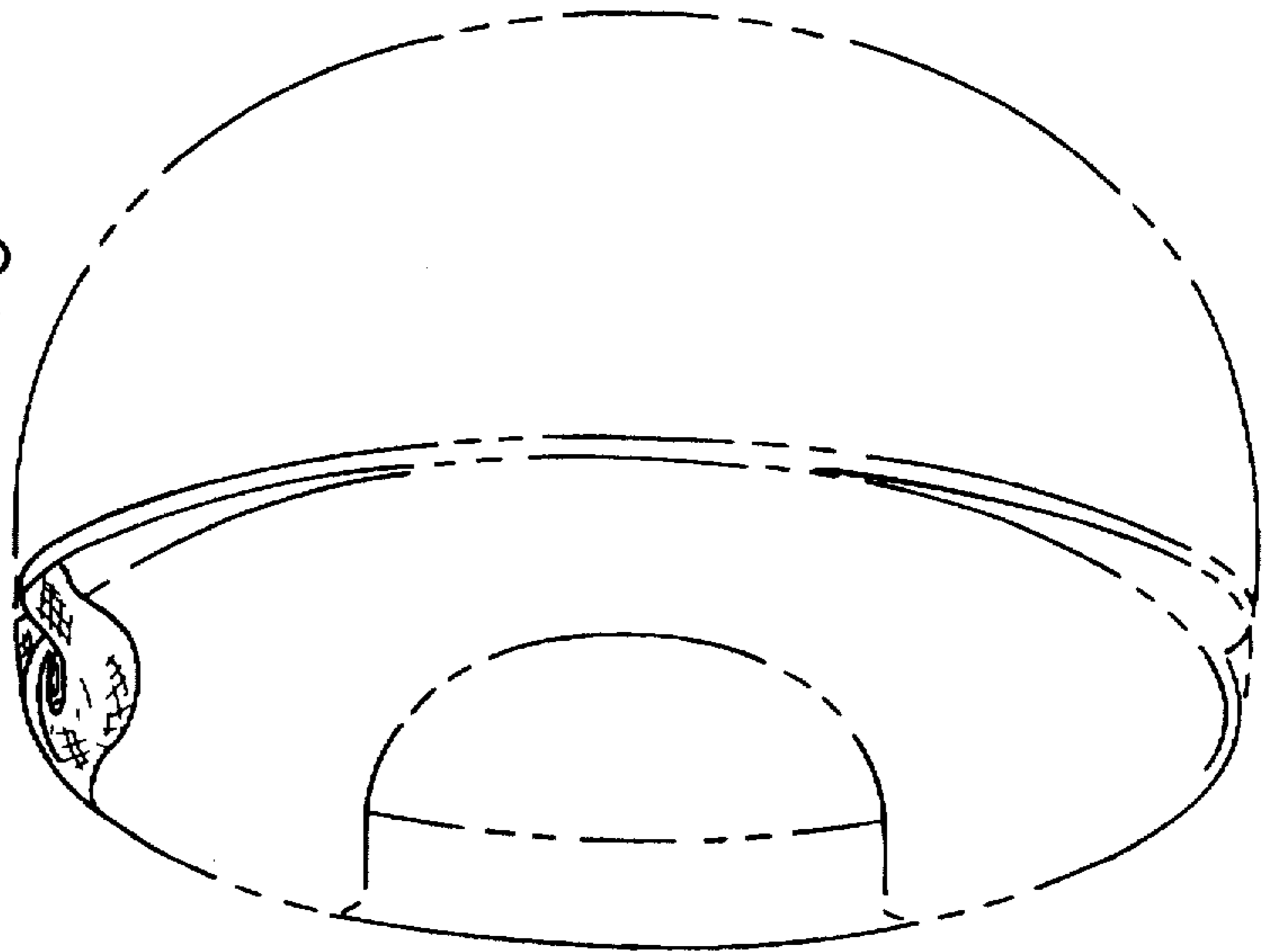


FIG. 14

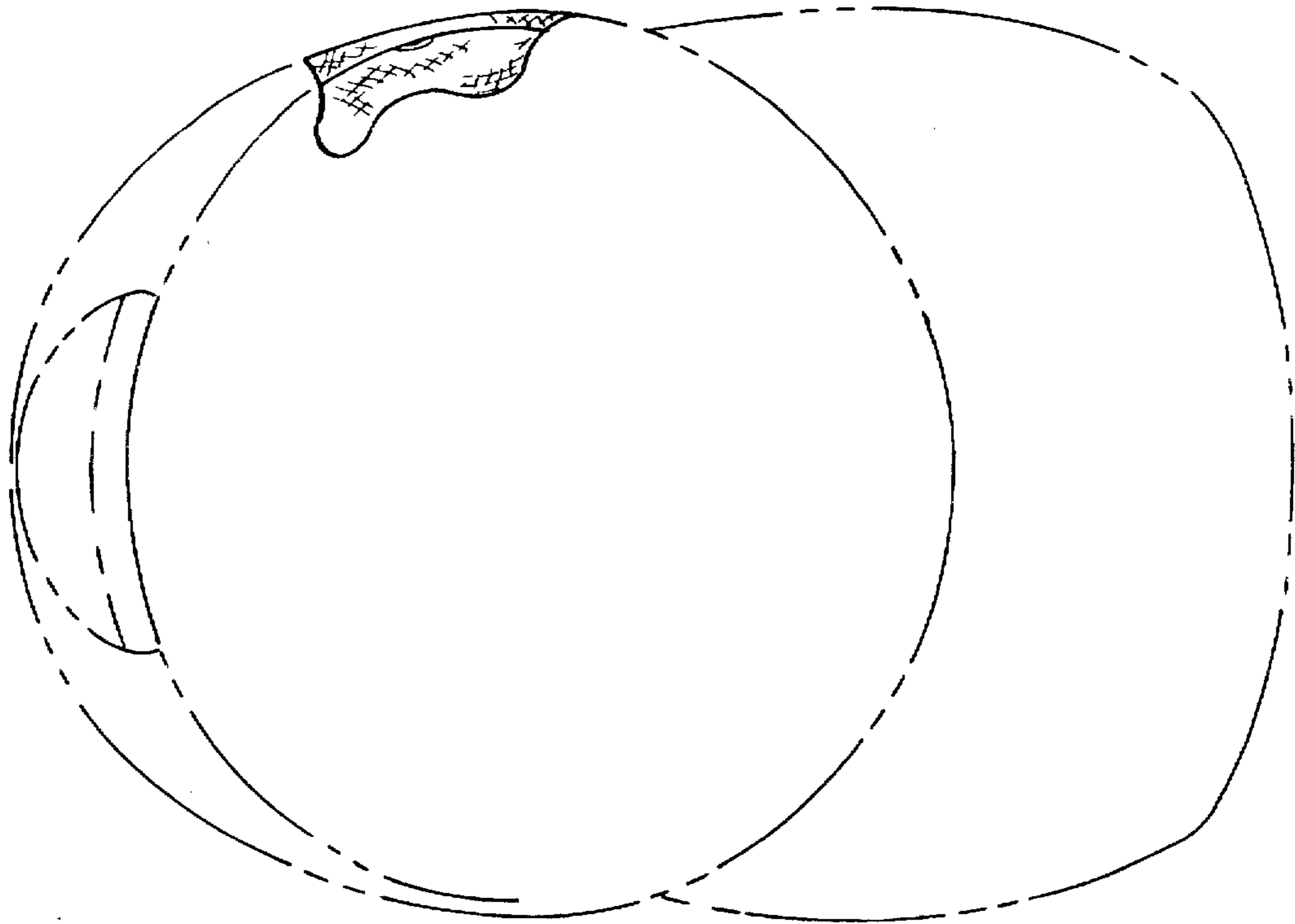


FIG. 15

