



US00D394132S

United States Patent [19]

[11] Patent Number: **Des. 394,132**

Dixon

[45] Date of Patent: ****May 5, 1998**

[54] **MOBILE SELF-CONTAINED PUMPING UNIT**

[75] Inventor: **Randy J. Dixon, Billings, Mont.**

[73] Assignee: **Commercial Trade Corp., Billings, Mont.**

[**] Term: **14 Years**

[21] Appl. No.: **53,309**

[22] Filed: **Apr. 25, 1996**

[51] LOC (6) Cl. **15-05**

[52] U.S. Cl. **D32/21**

[58] Field of Search D32/1, 21, 22,
D32/15, 16; D15/7; 15/340.2, 341, 409,
320, 321

[56] **References Cited**

U.S. PATENT DOCUMENTS

D. 236,319	8/1975	Jakubowski	D32/16
D. 239,155	3/1976	Kent et al.	D32/16
D. 298,479	11/1988	Jacobs et al.	D32/16
D. 302,557	8/1989	Powers et al.	D15/7
D. 340,786	10/1993	Jones	D32/21

D. 344,374	2/1994	Wulff	D32/21
D. 345,034	3/1994	Fitzwater	D32/21
D. 364,947	12/1995	Kent et al.	D32/22
D. 375,590	11/1996	Steinhart et al.	D32/15
5,073,258	12/1991	Boullain, II et al.	210/172
5,125,126	6/1992	Bonnant	15/321
5,142,730	9/1992	Braks et al.	15/327.5

Primary Examiner—Ruth McInroy
Attorney, Agent, or Firm—Sheridan Ross P.C.

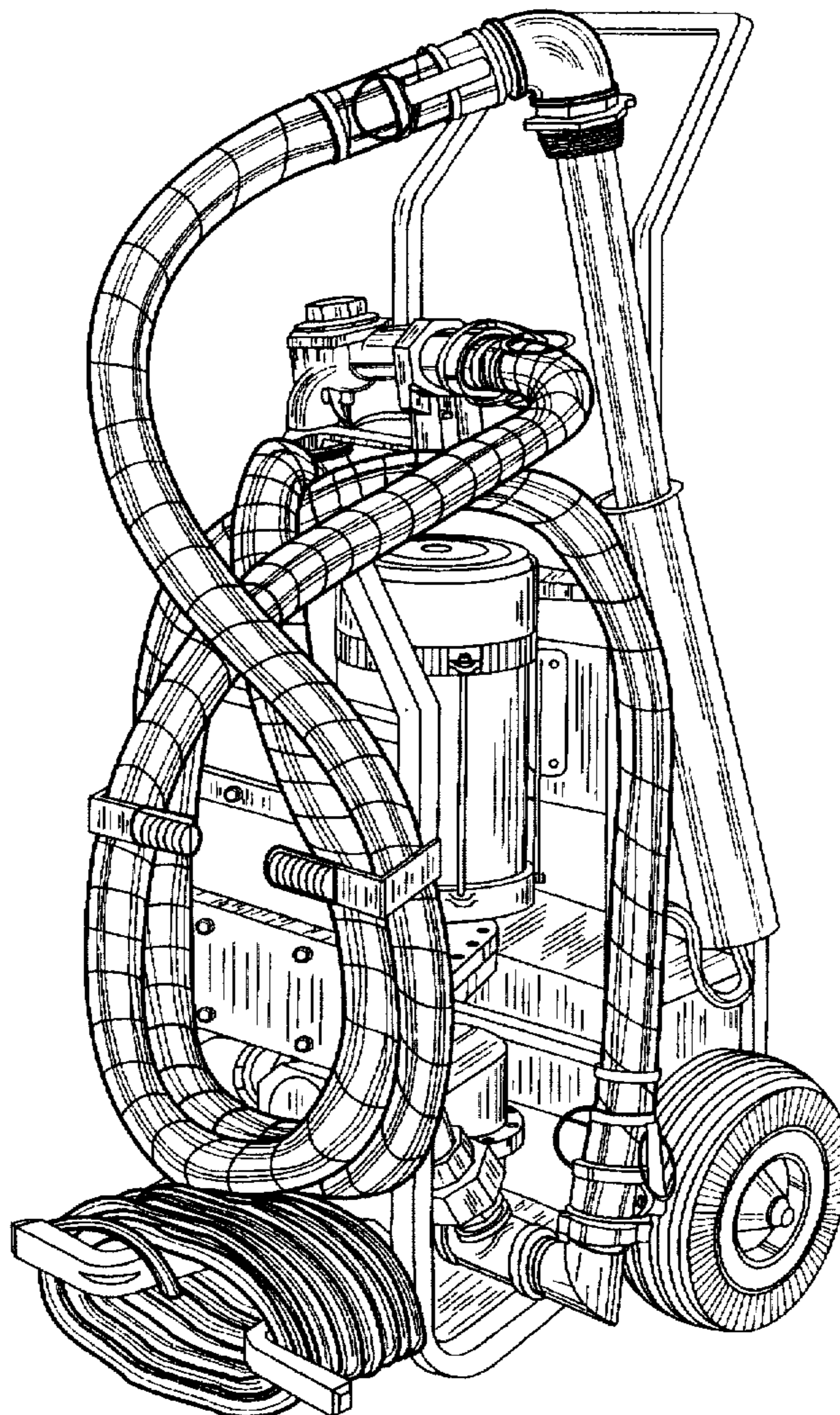
[57] **CLAIM**

The ornamental design for a “mobile self-contained pumping unit”, as shown and described.

DESCRIPTION

FIG. 1 is a right front perspective view showing a mobile self contained pumping unit as my new invention; FIG. 2 is a left front perspective view of the invention; FIG. 3 is a bottom plan view of the invention; FIG. 4 is a rear elevation view of the invention; FIG. 5 is a top plan view of the invention; and, FIG. 6 is a front elevation view of the claimed mobile self-contained pumping unit.

1 Claim, 6 Drawing Sheets



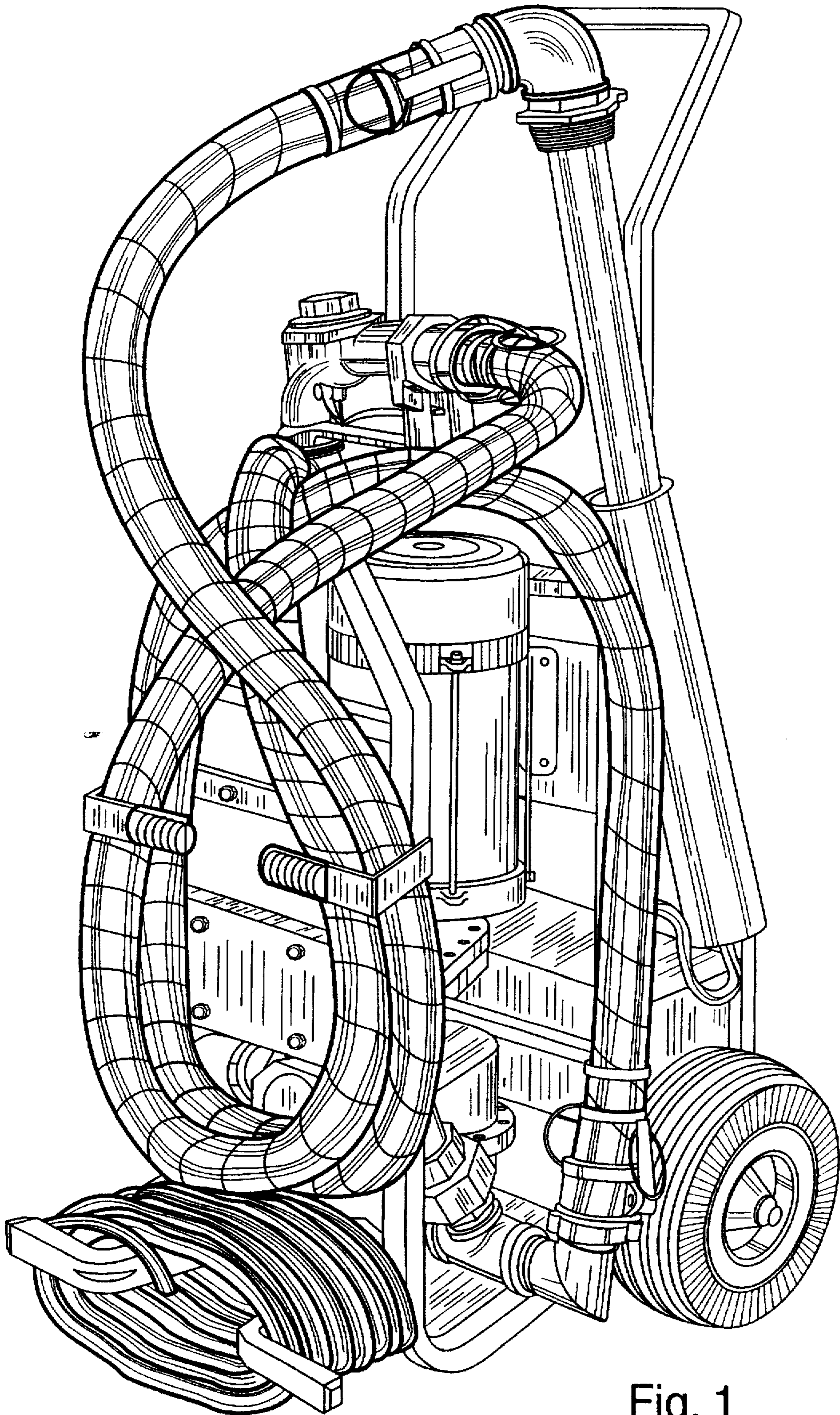


Fig. 1

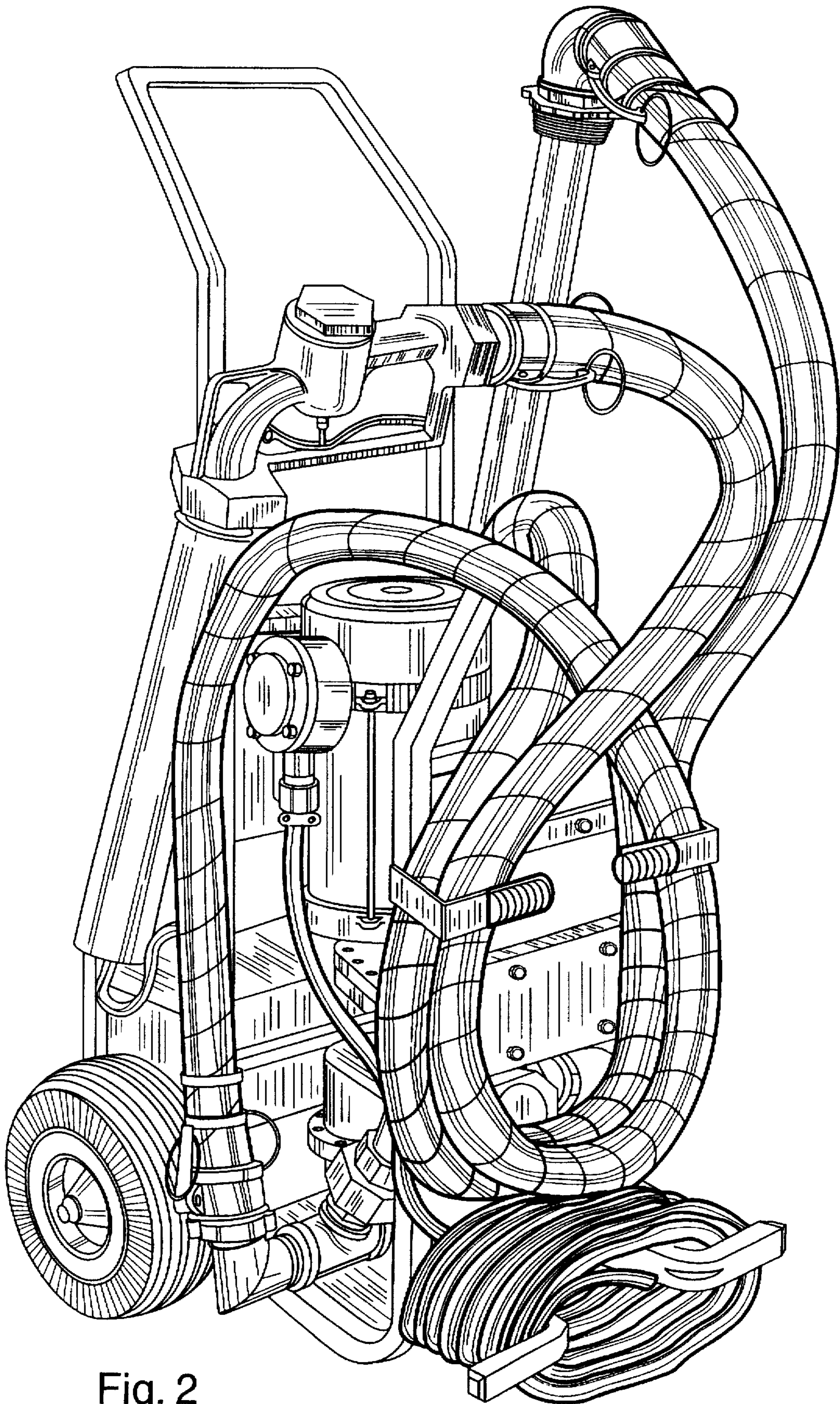


Fig. 2

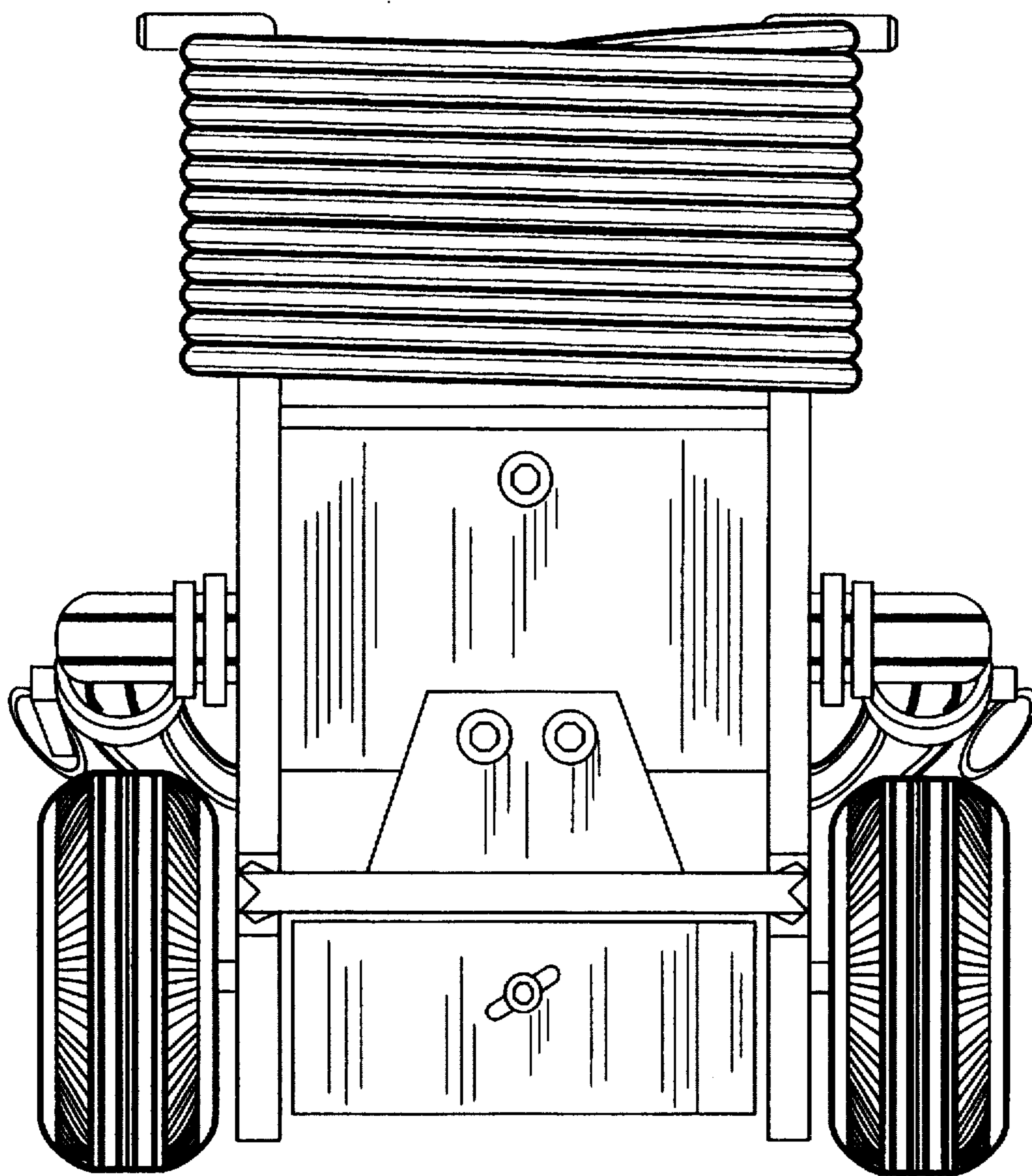


Fig. 3

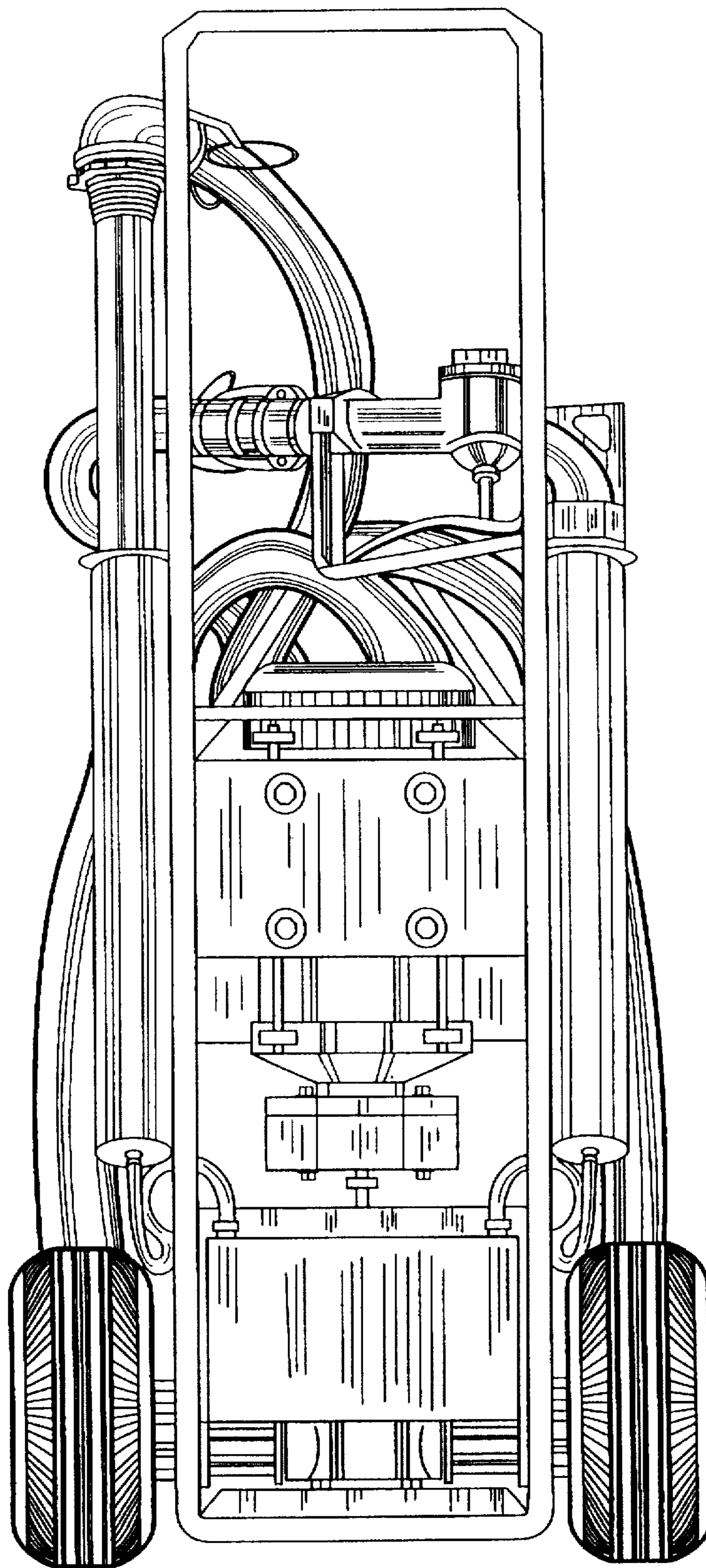


Fig. 4

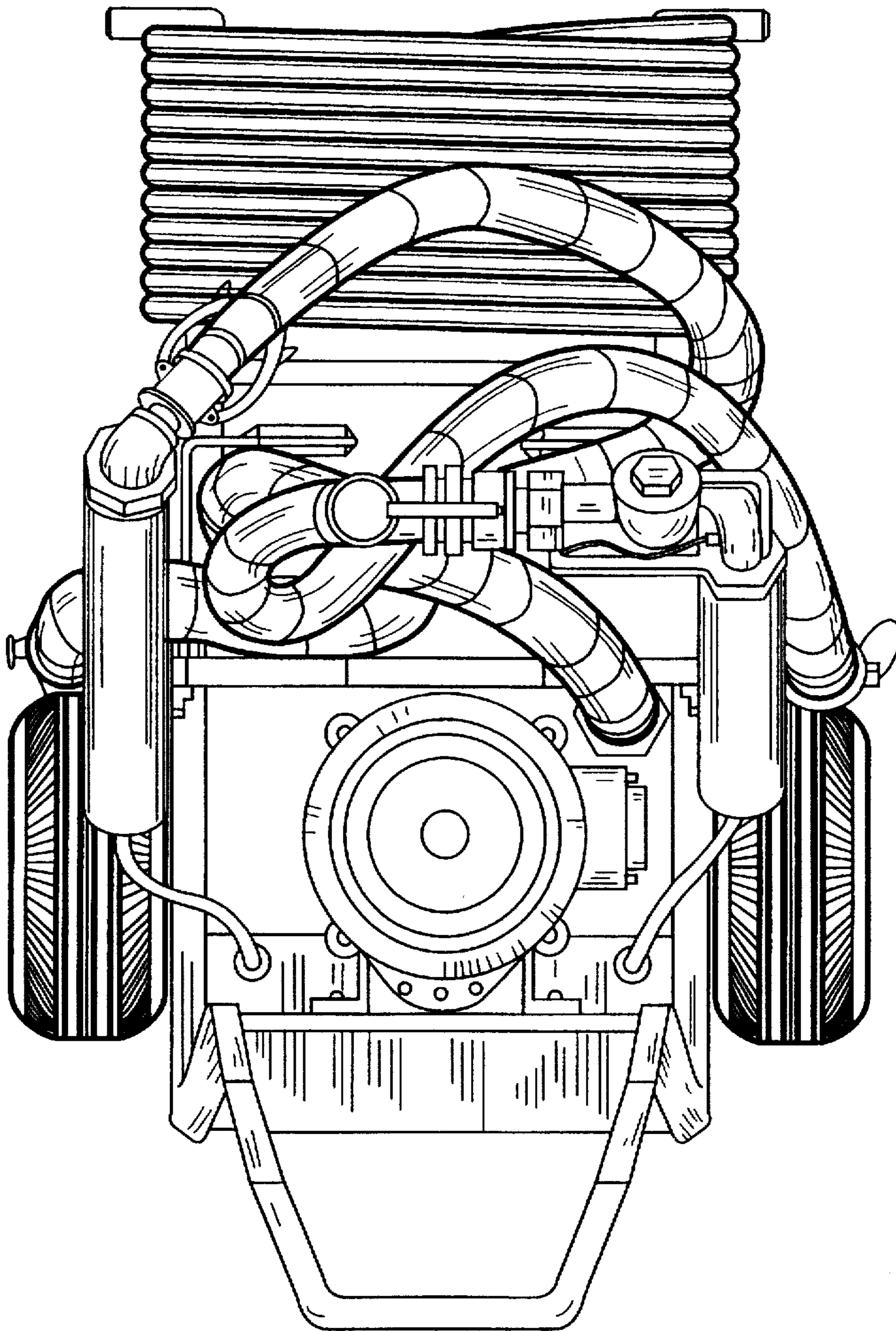


Fig. 5

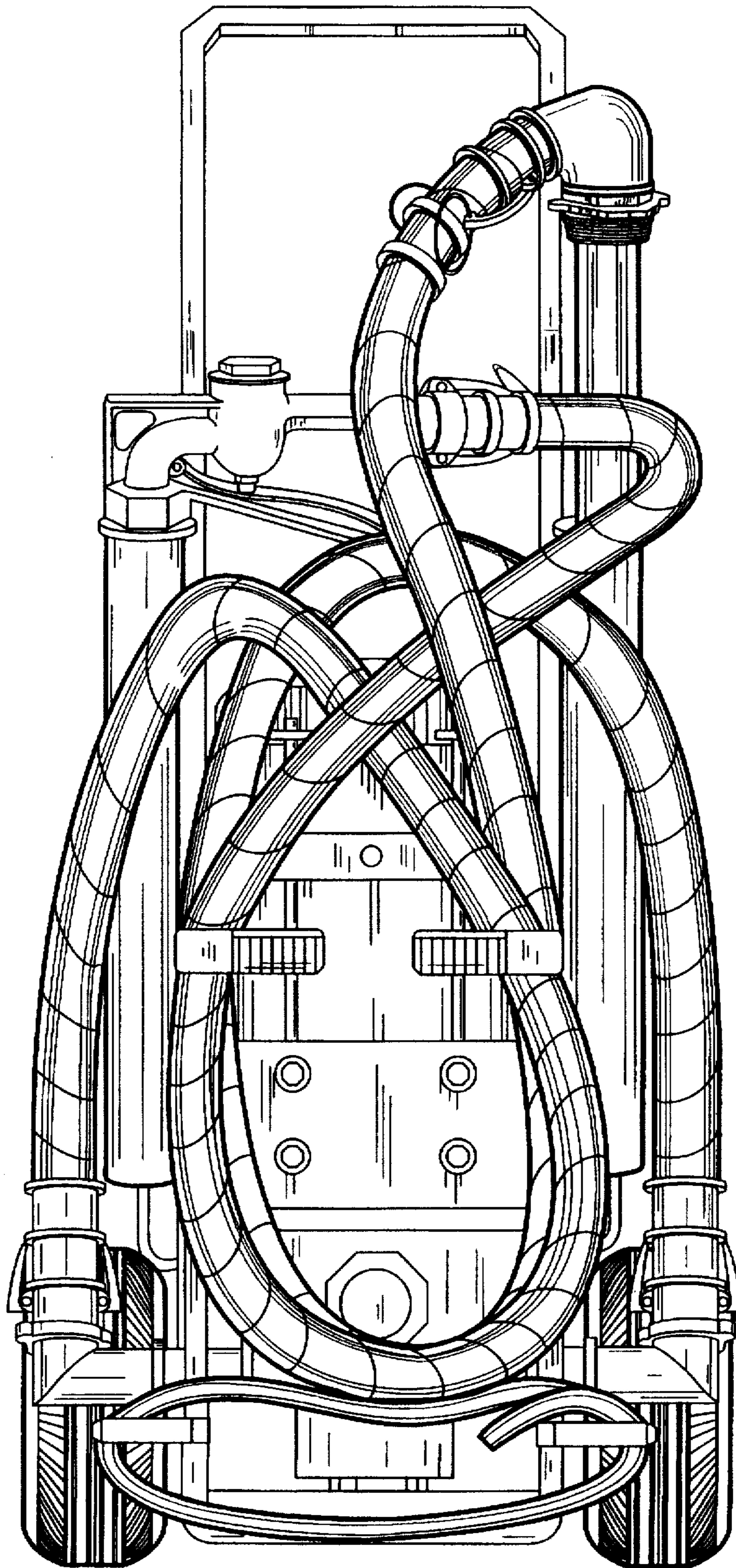


Fig. 6