

US00D394131S

United States Patent [19]

Litton

[11] Patent Number: Des. 394,131

[45] Date of Patent: ***May 5, 1998

[54] COMPACT CASE

835485 5/1960 United Kingdom 132/301

[75] Inventor: Garfield Litton, Glenrock, N.J.

Primary Examiner—Ted Shooman

Assistant Examiner—C. Tuttle

[73] Assignee: Revlon Consumer Products Corporation, New York, N.Y.

Attorney, Agent, or Firm—Julie Blackburn

[*] Notice: The portion of the term of this patent subsequent to Apr. 29, 2010, has been disclaimed.

[57] CLAIM

The ornamental design for a compact case, as shown and described.

[**] Term: 14 Years

DESCRIPTION

[21] Appl. No.: 53,714

FIG. 1 is a front perspective view of the compact in the closed position;

[22] Filed: Apr. 29, 1996

FIG. 2 is a top plan view of the compact in the closed position;

[51] LOC (6) Cl. 28-03

[52] U.S. Cl. D28/82

FIG. 3 is a right elevational view of the compact in the closed position;

[58] Field of Search D28/76-84; D9/420; 132/293-307, 313-316; 206/235, 581, 823; 220/DIG. 26

FIG. 4 is a rear elevational view of the compact in the closed position;

[56] References Cited

U.S. PATENT DOCUMENTS

- D. 106,609 10/1937 Reilly D28/82
- D. 137,166 2/1944 Crane D28/82
- D. 145,100 6/1946 Muller-Munk .
- D. 146,755 5/1947 Spitalny D28/81 X
- D. 236,037 7/1975 McCarthy .
- D. 249,332 9/1978 Hauf D28/82 X
- D. 310,736 9/1990 Bakic D28/82
- D. 319,897 9/1991 Bakic D28/82
- D. 337,177 7/1993 Tiramani D28/76
- 1,482,786 2/1924 Dodson 132/303
- 1,582,125 4/1926 Clarke 132/298
- 2,421,646 6/1947 Pepin 132/305
- 2,792,349 5/1957 Le Vier et al. D28/8.1
- 5,107,871 4/1992 Butcher et al. 132/296 X

FIG. 5 is a front elevational view of the compact in the closed position;

FIG. 6 is a bottom plan view of the compact in the closed position;

FIG. 7 is a front perspective view of the compact opened with its mid section in the raised position;

FIG. 8 is a top plan view of the compact opened with its mid section in the raised position;

FIG. 9 is a right side elevational view of the compact opened with its mid section in the lowered position;

FIG. 9 is a right side elevational view of the compact opened with its mid section in the raised position;

FIG. 11 is a top plan view of the compact opened with its mid section in the lowered position; and,

FIG. 12 is a right side elevational view of the compact opened with its mid section in the lowered position.

FOREIGN PATENT DOCUMENTS

- 2647319 11/1990 France 401/88

1 Claim, 5 Drawing Sheets

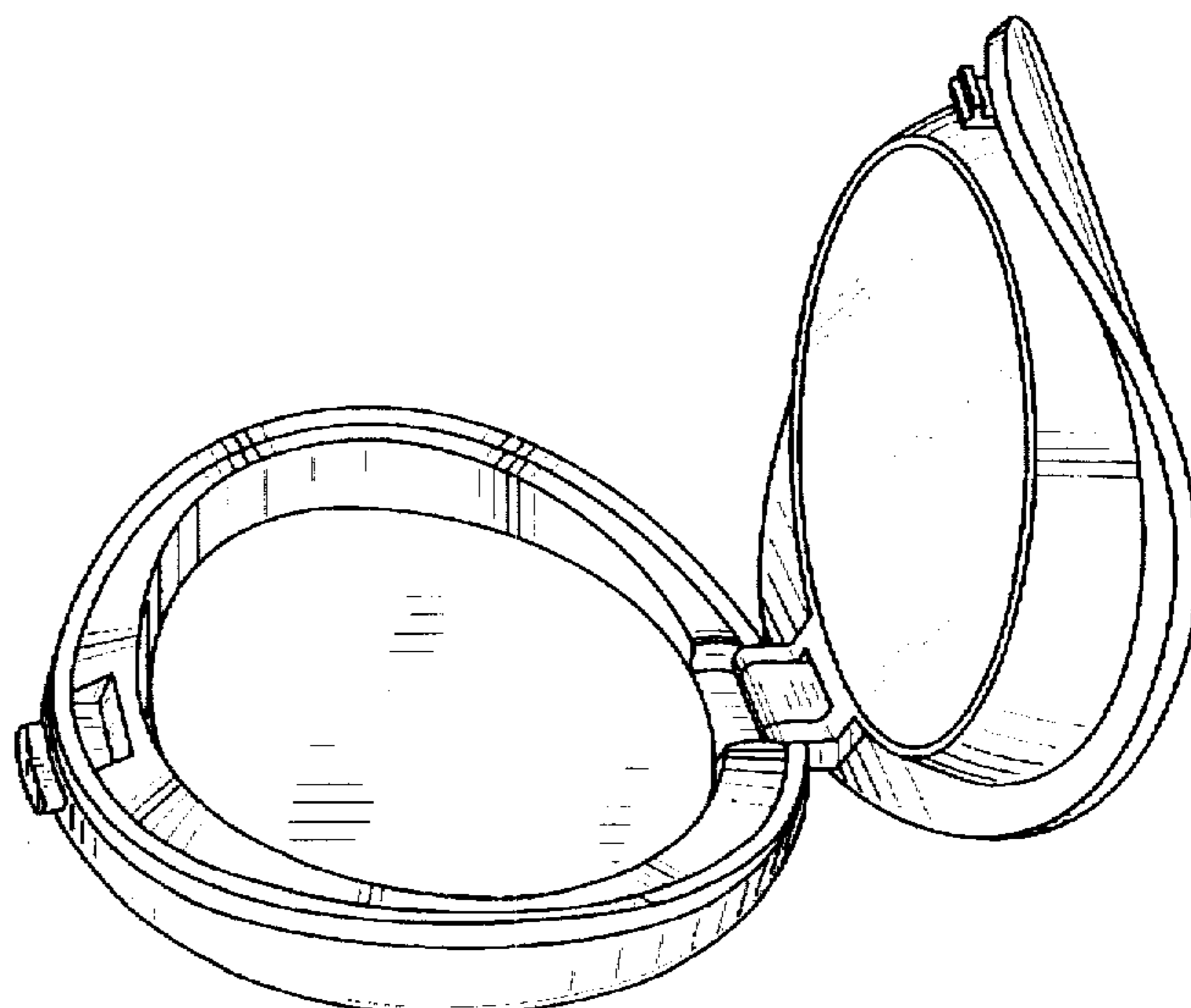
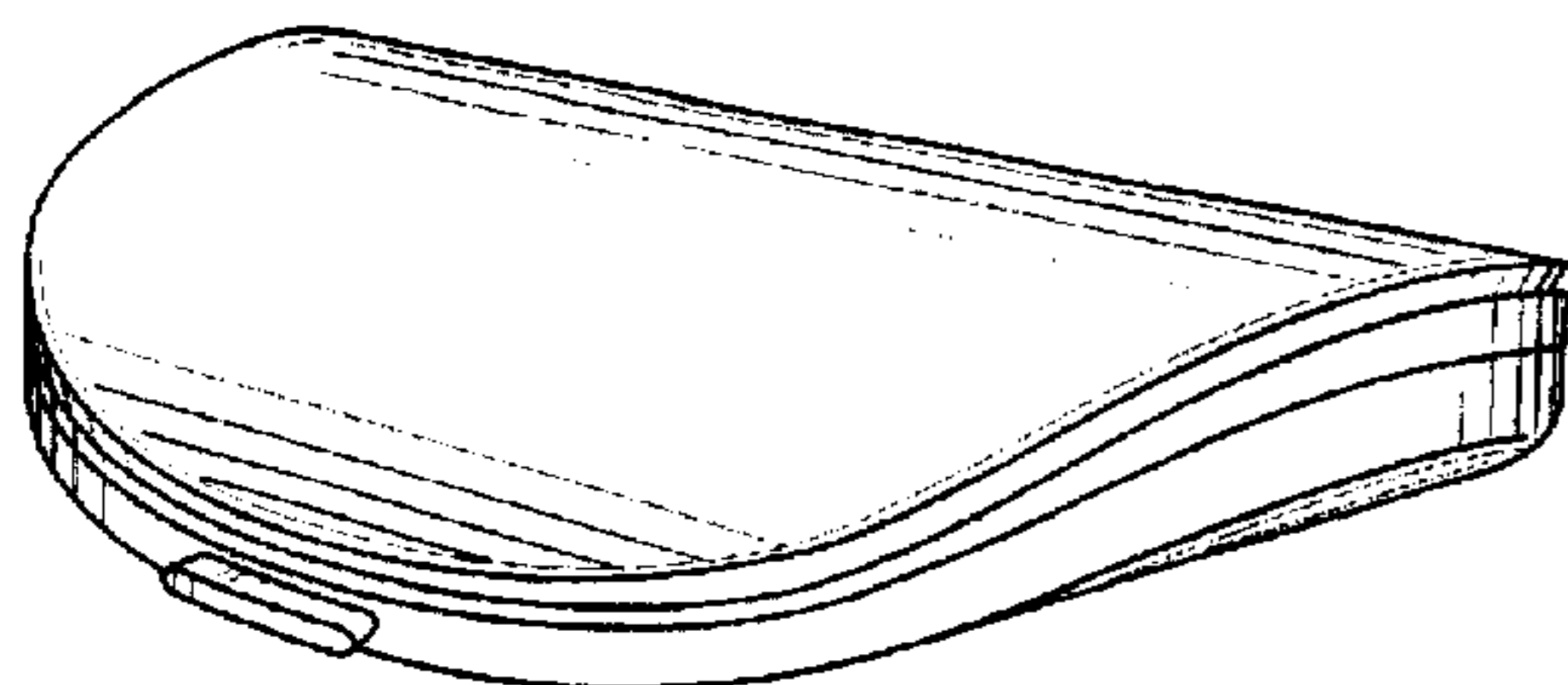


FIG. 1

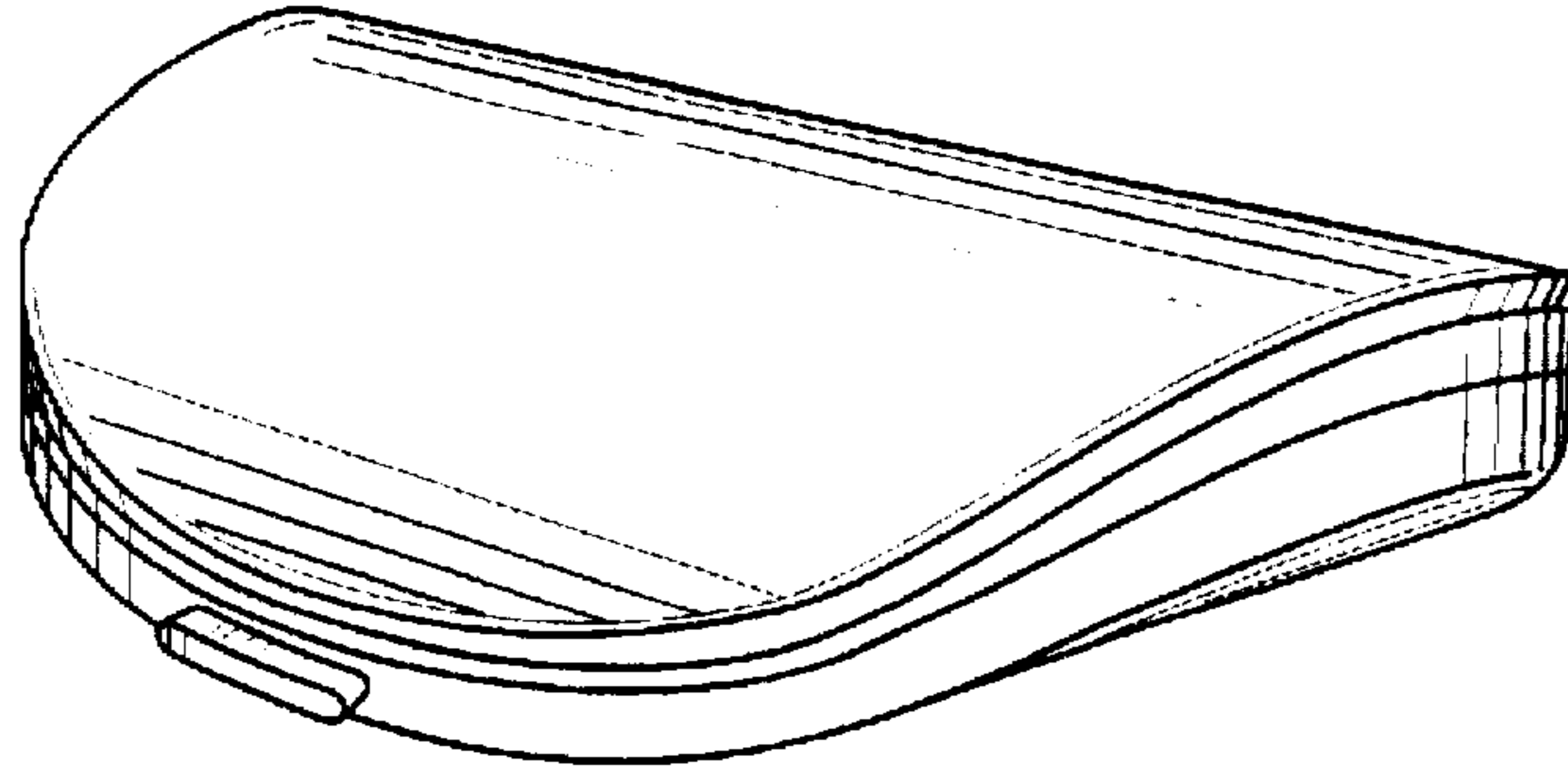


FIG. 2

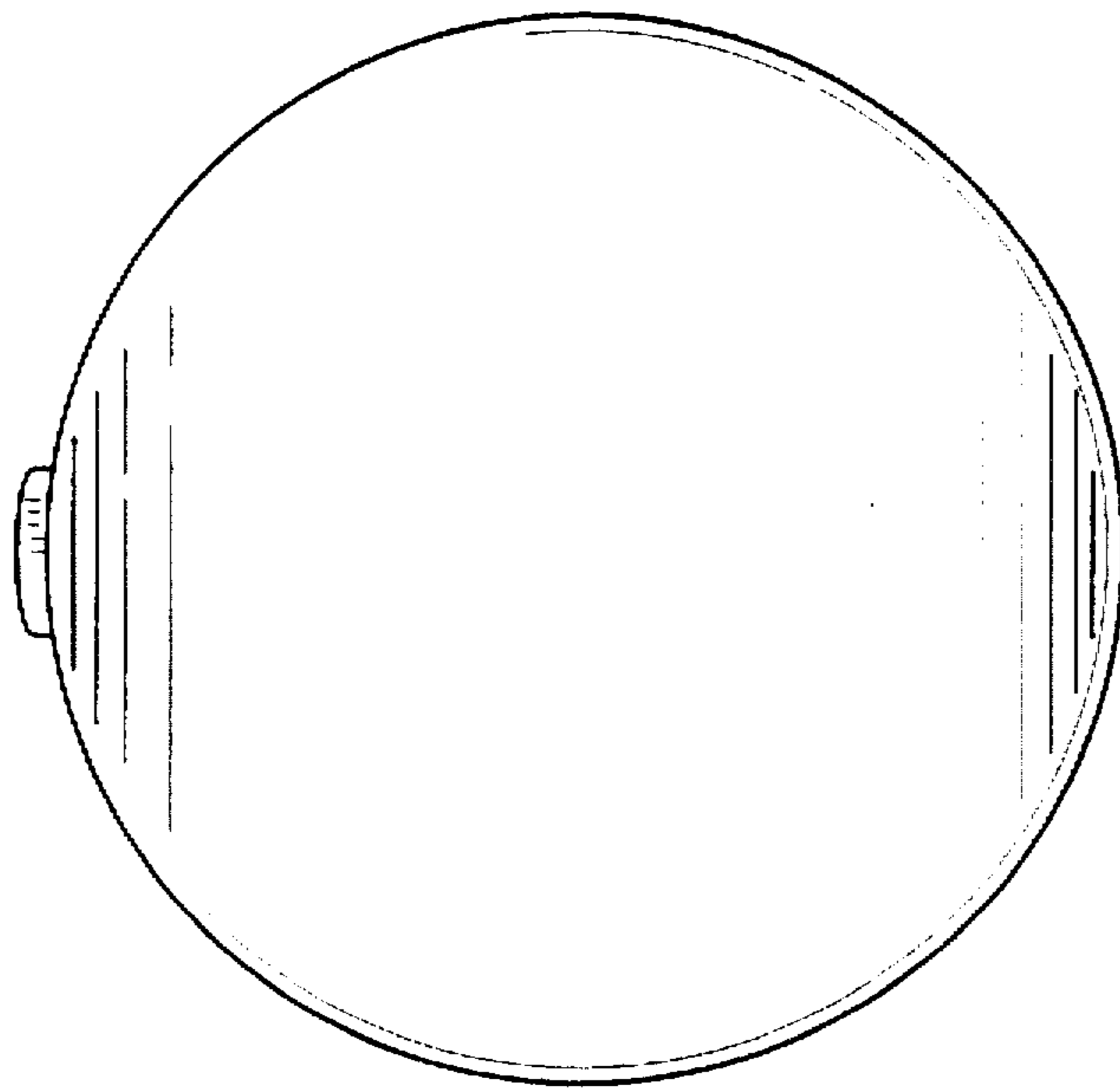


FIG. 3



FIG. 4

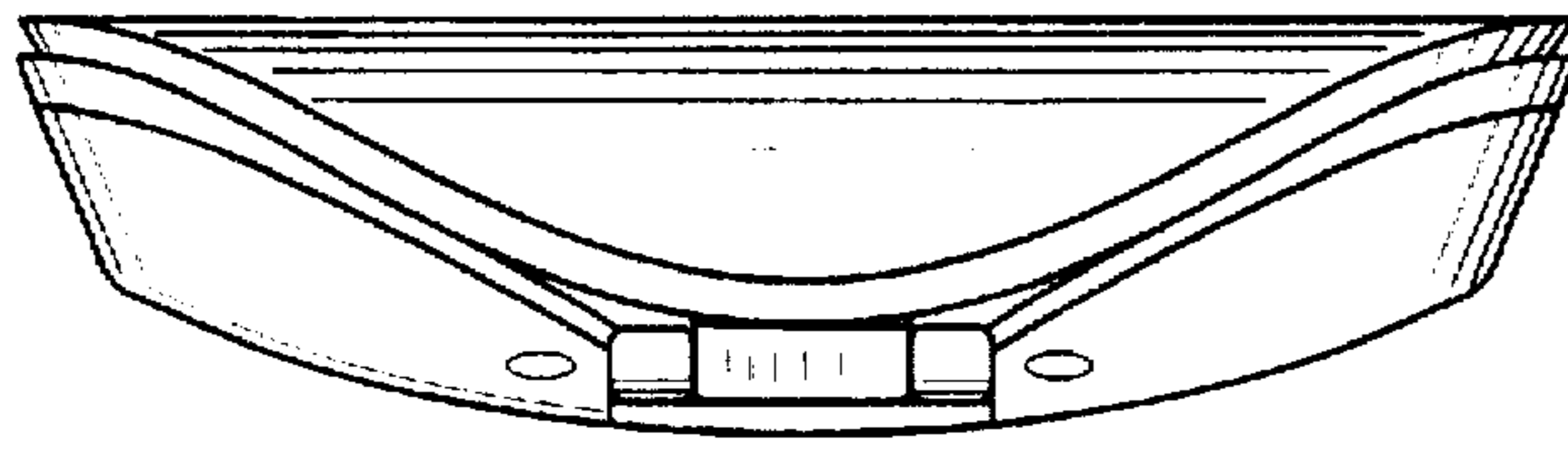


FIG. 5

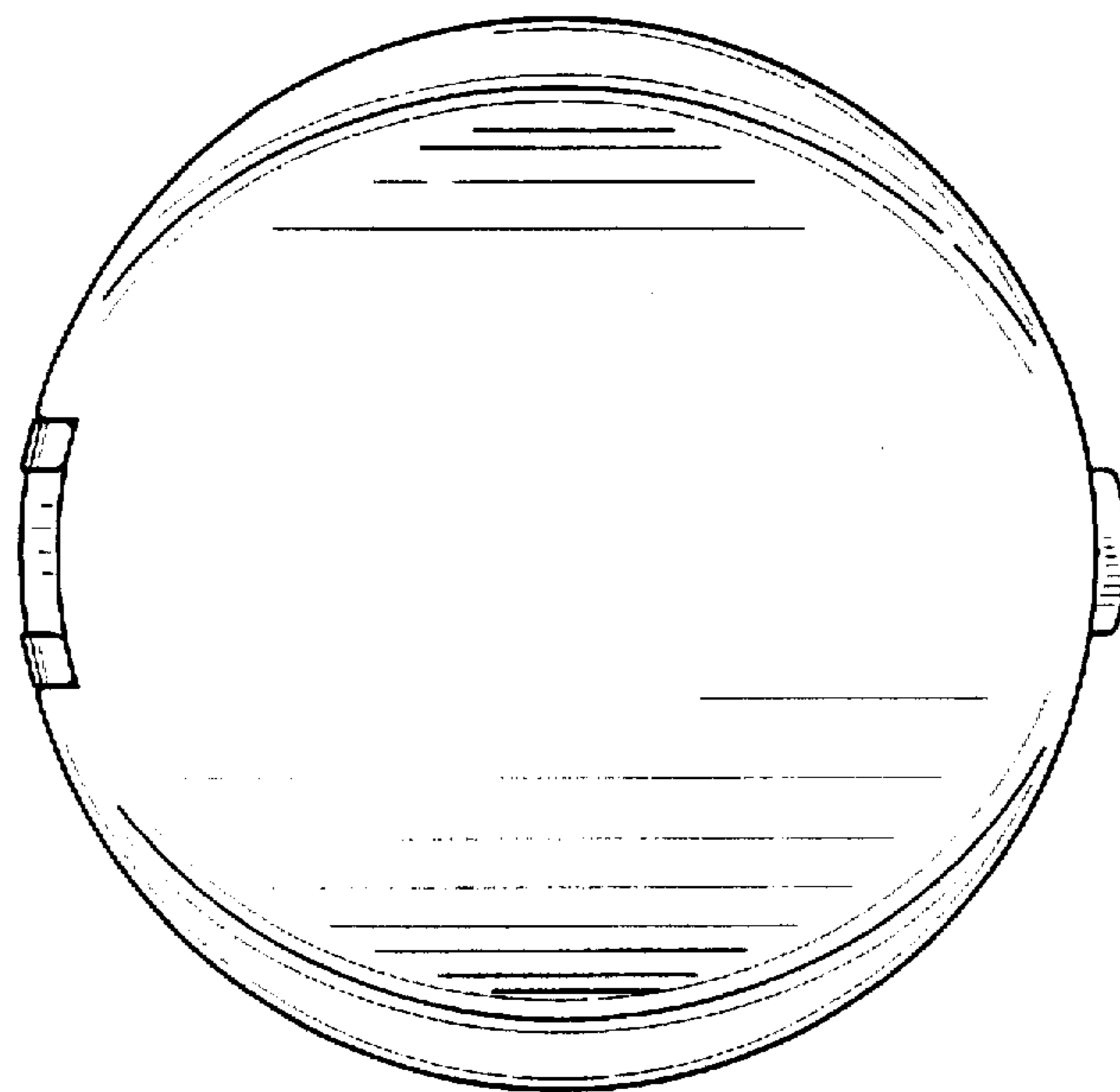
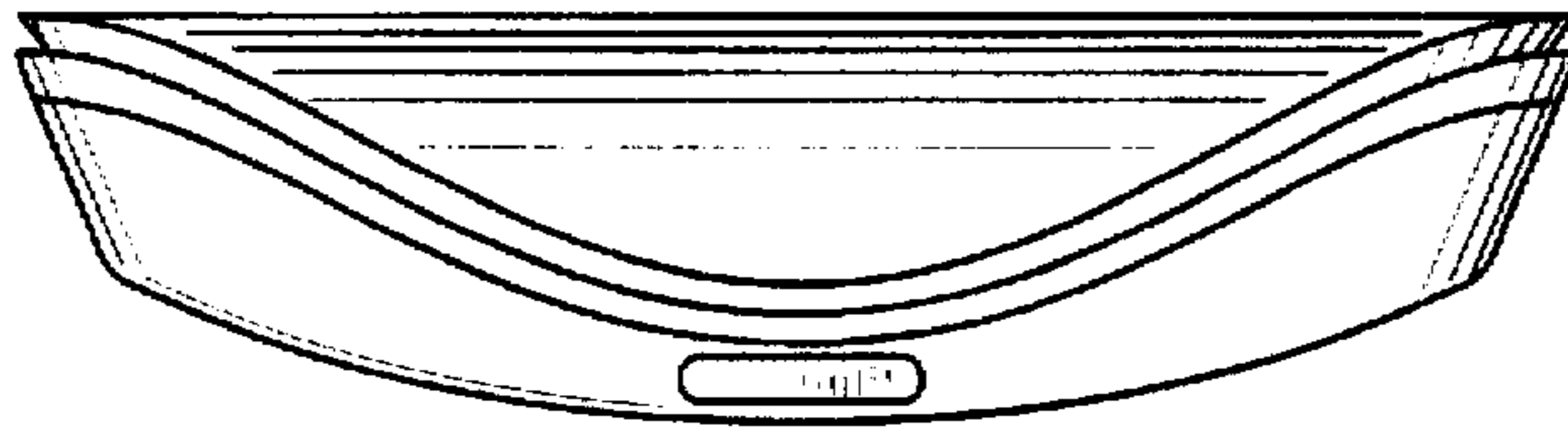


FIG. 6

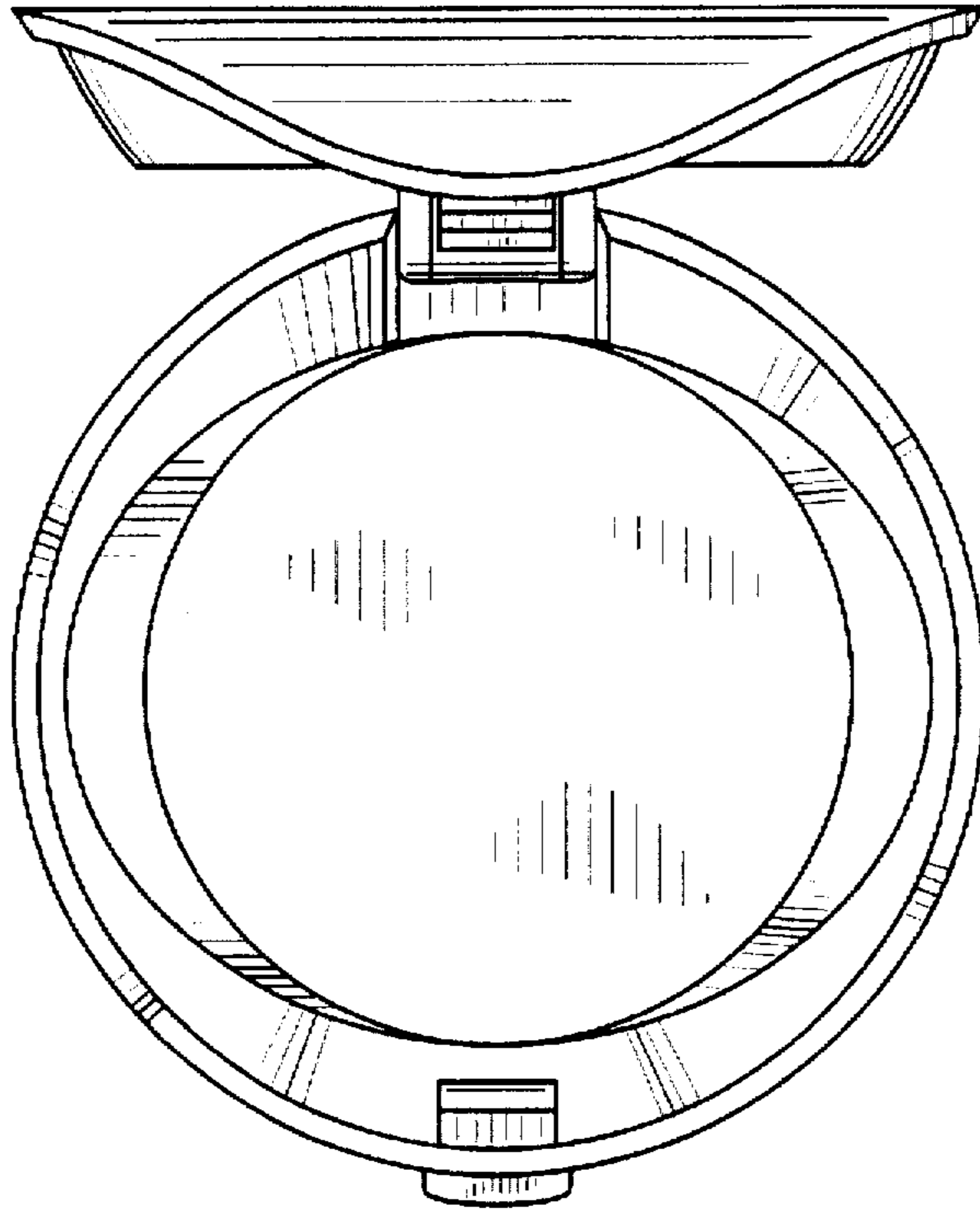


FIG. 8

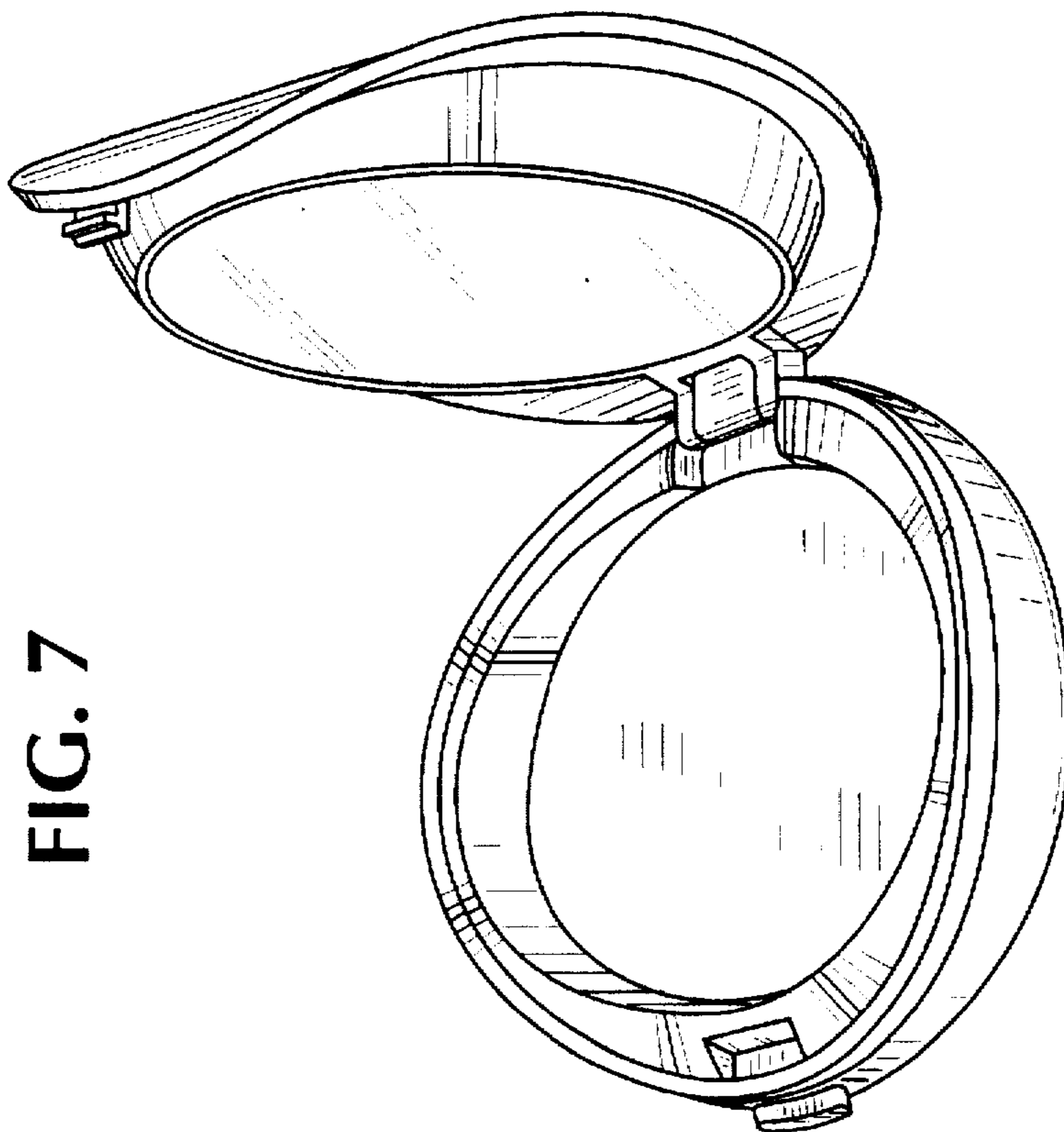


FIG. 7

FIG. 9

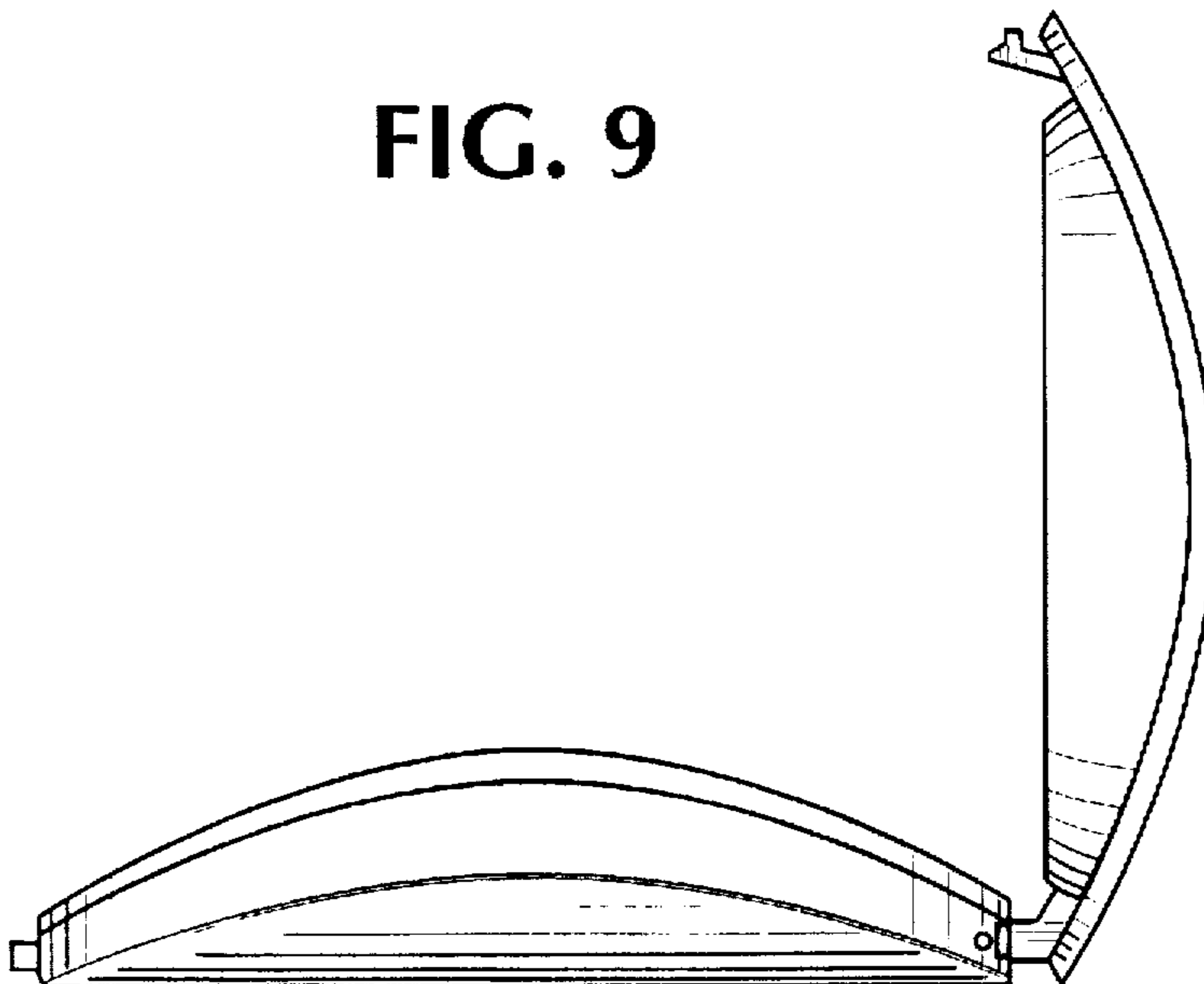


FIG. 12

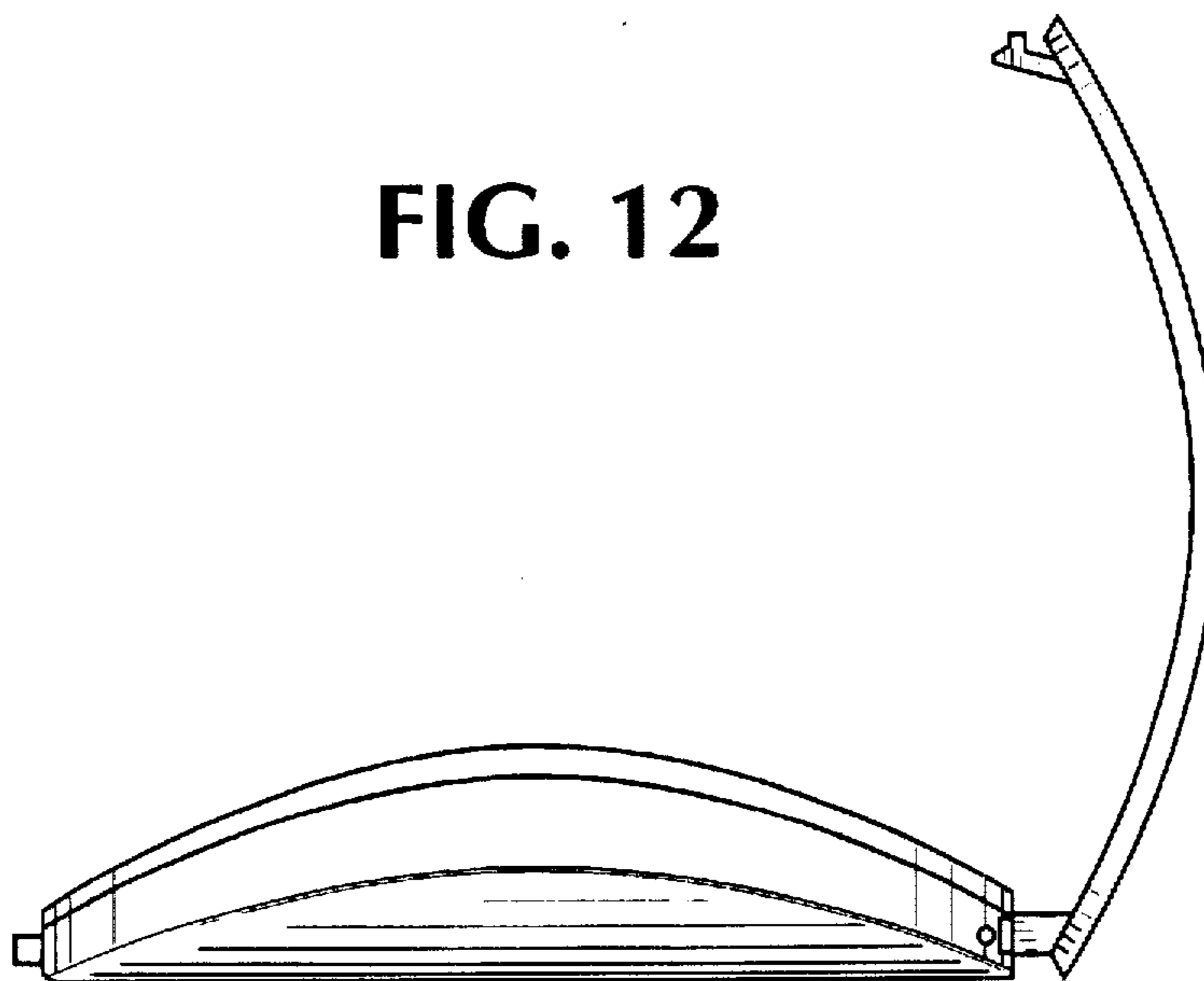


FIG. 11

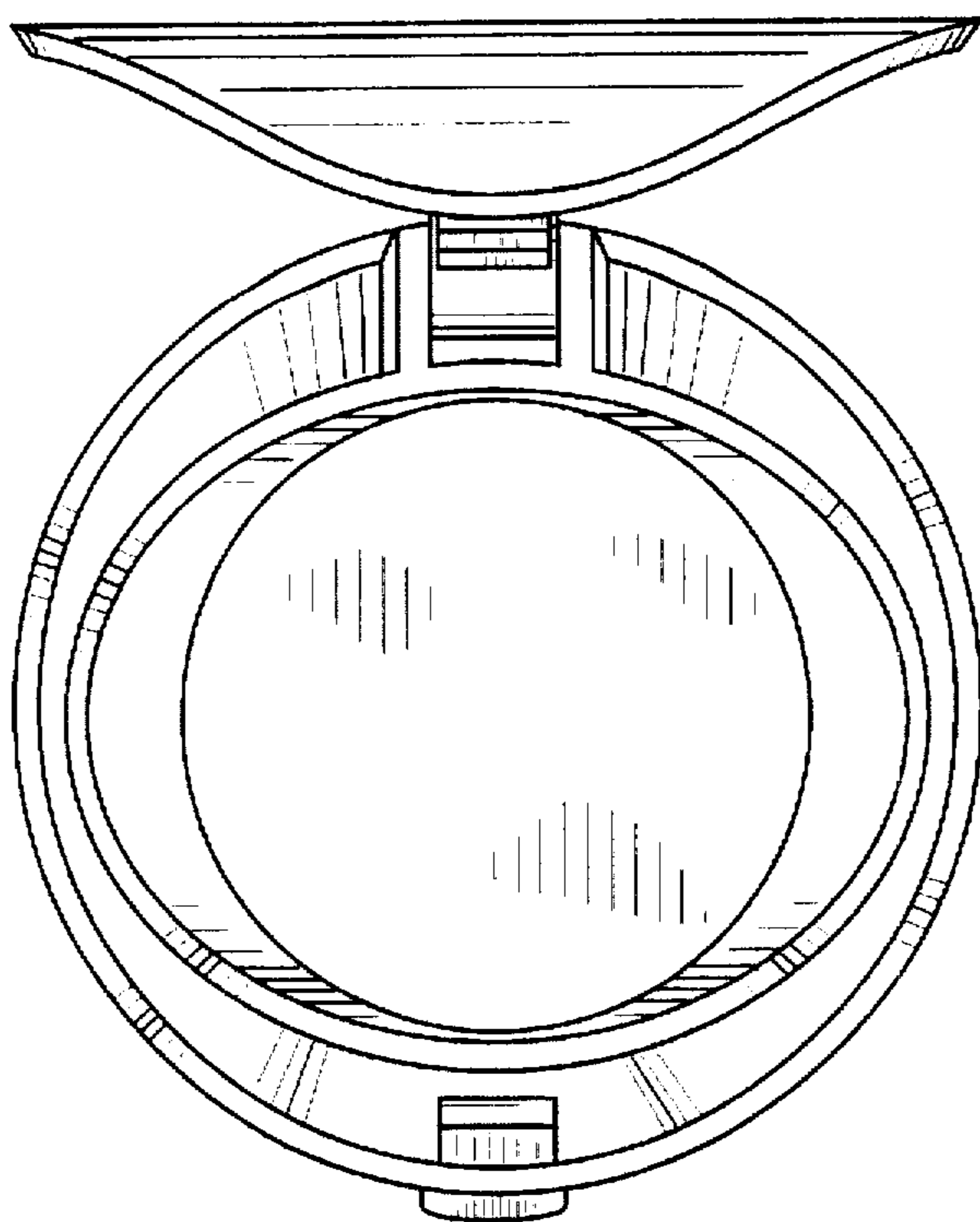


FIG. 10

