

US00D394125S

# United States Patent [19]

[11] Patent Number: Des. 394,125

Barry

[45] Date of Patent: \*\*May 5, 1998

## [54] LAMP WITH TAPERED HEXAGONAL STEM

## OTHER PUBLICATIONS

[75] Inventor: **Barbara Barry**, Los Angeles, Calif.

Home Lighting and Accessories, p. 125, Wall lamp, Sep. 1993.

[73] Assignee: **Boyd Lighting Company**, San Francisco, Calif.

New Metal Crafts Design Collection, p. 3, Wall lamp #3148 PB, Nov. 1993.

[\*\*] Term: **14 Years**

*Primary Examiner*—Susan J. Lucas  
*Attorney, Agent, or Firm*—Jack Lo

[21] Appl. No.: **73,781**

## [57] CLAIM

[22] Filed: **Jul. 17, 1997**

The ornamental design for a lamp with tapered hexagonal stem, as shown and described.

### Related U.S. Application Data

## DESCRIPTION

[62] Division of Ser. No. 54,574, May 15, 1996.

[51] LOC (6) Cl. .... **26-05**

FIG. 1 is a side perspective view of a lamp with tapered hexagonal stem showing my new design;

[52] U.S. Cl. .... **D26/87**

FIG. 2 is a front view thereof;

[58] Field of Search ..... D26/72, 75, 76, D26/80, 85, 81, 91, 92; 362/147, 432

FIG. 3 is a rear view thereof;

FIG. 4 is a right side view thereof; the left side view being a mirror image;

## [56] References Cited

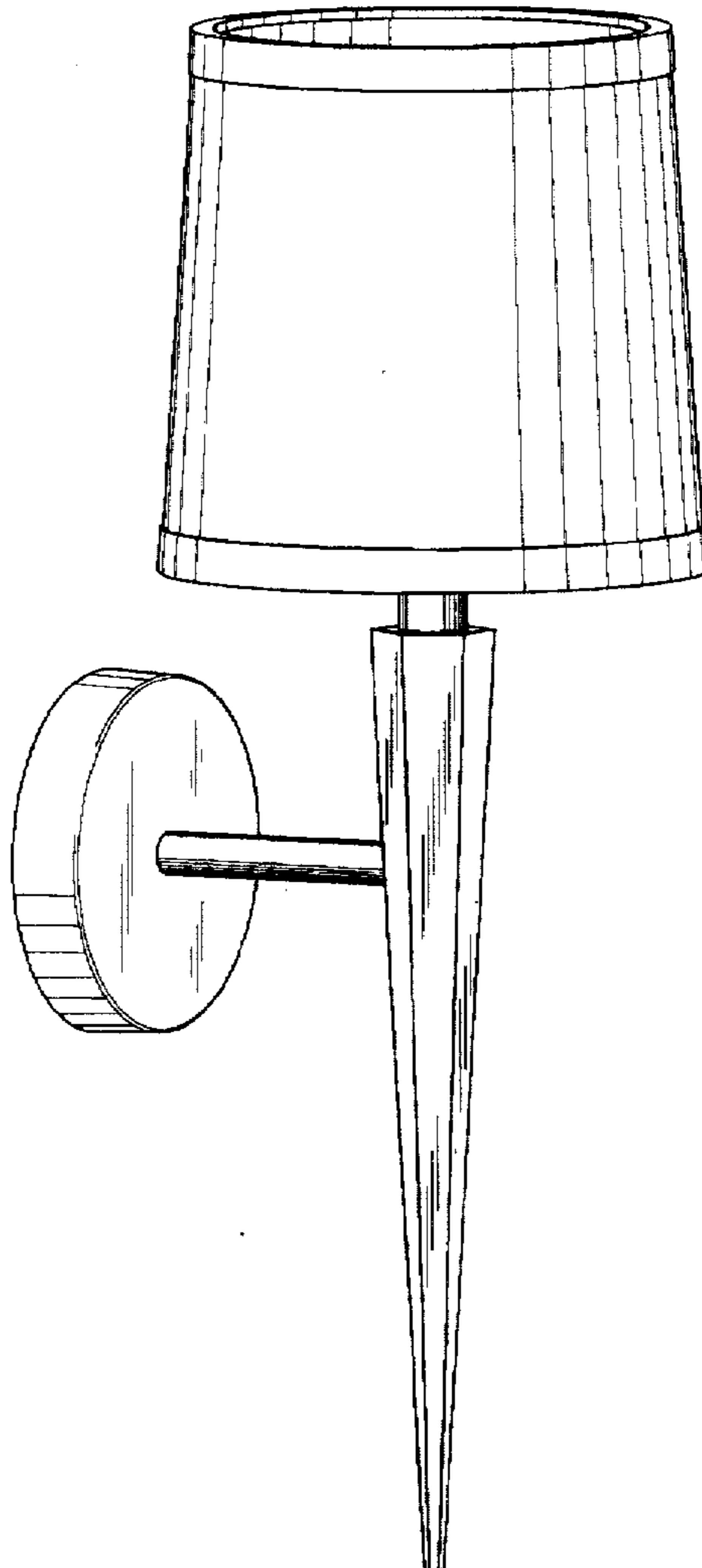
FIG. 5 is a top view thereof; and,

FIG. 6 is a bottom view thereof.

### U.S. PATENT DOCUMENTS

D. 177,715 5/1956 Clemens ..... D26/87  
D. 177,716 5/1956 Clemens ..... D26/87

**1 Claim, 4 Drawing Sheets**



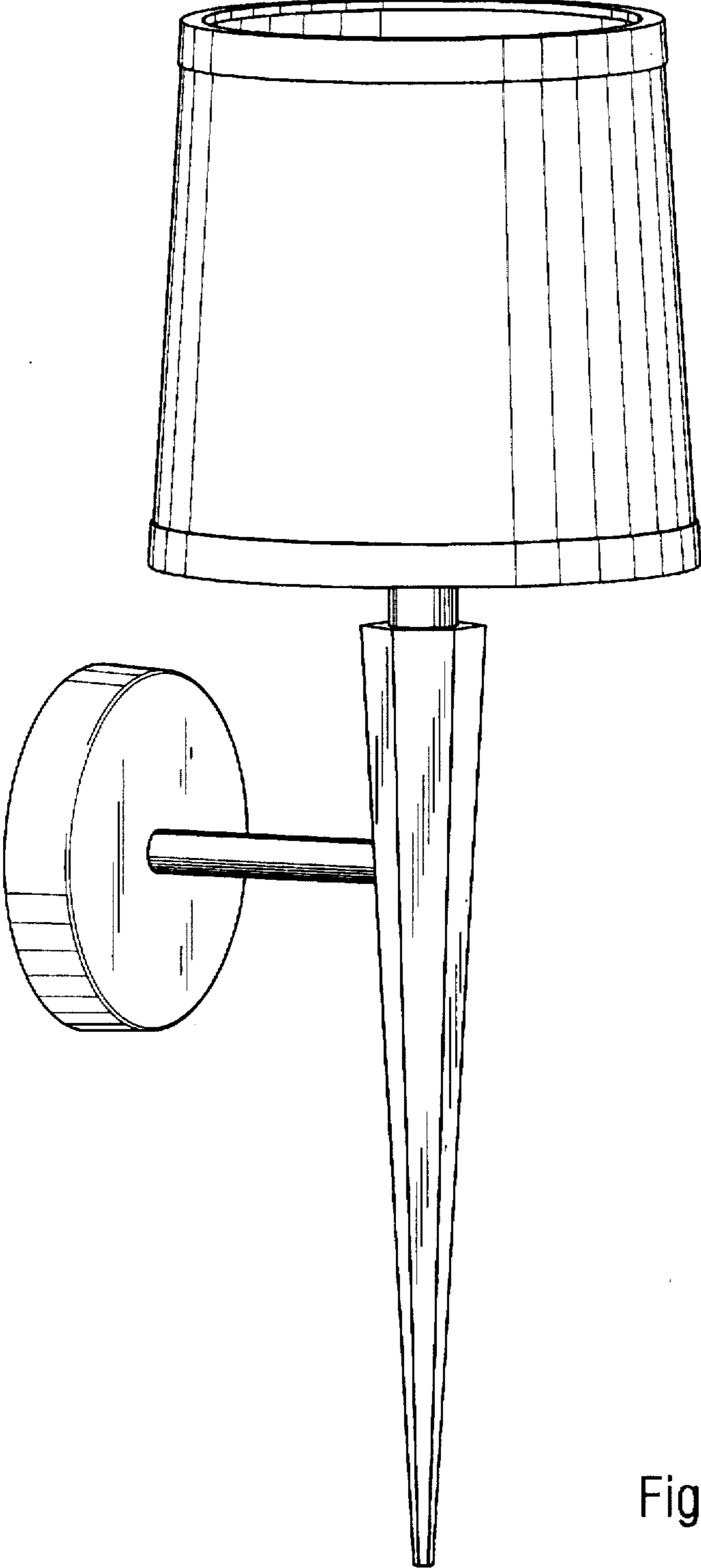


Fig. 1

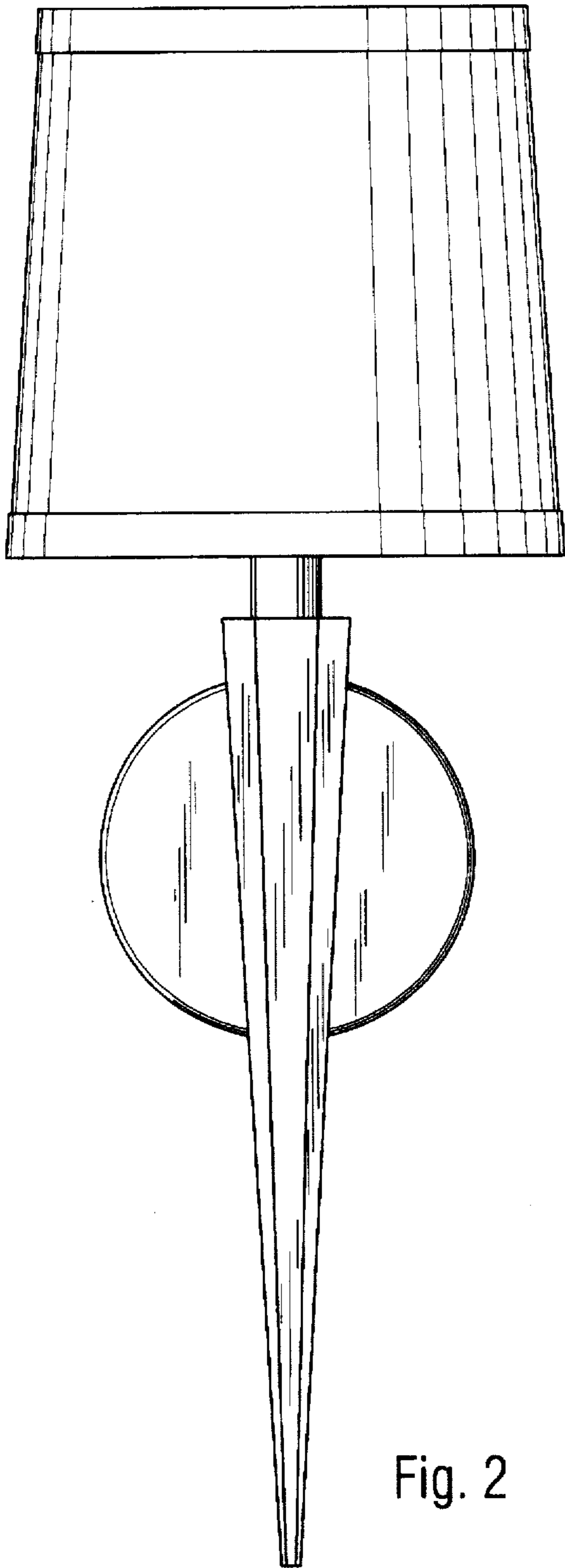


Fig. 2

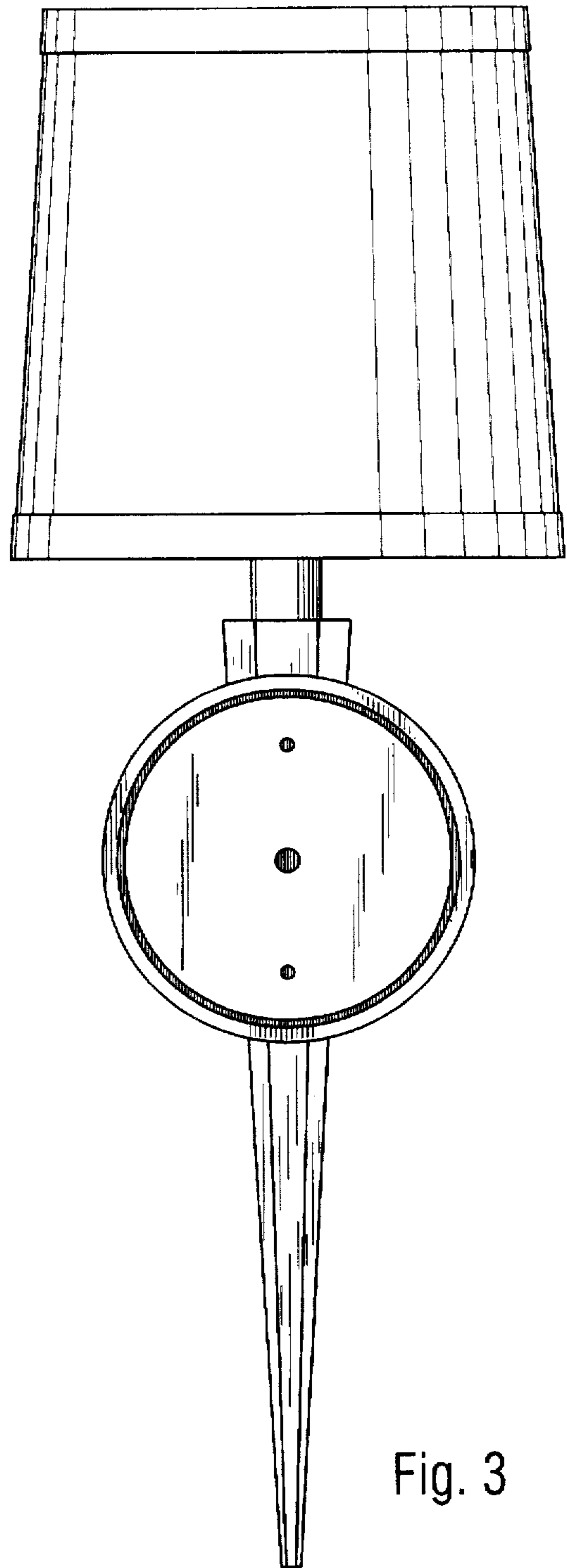


Fig. 3

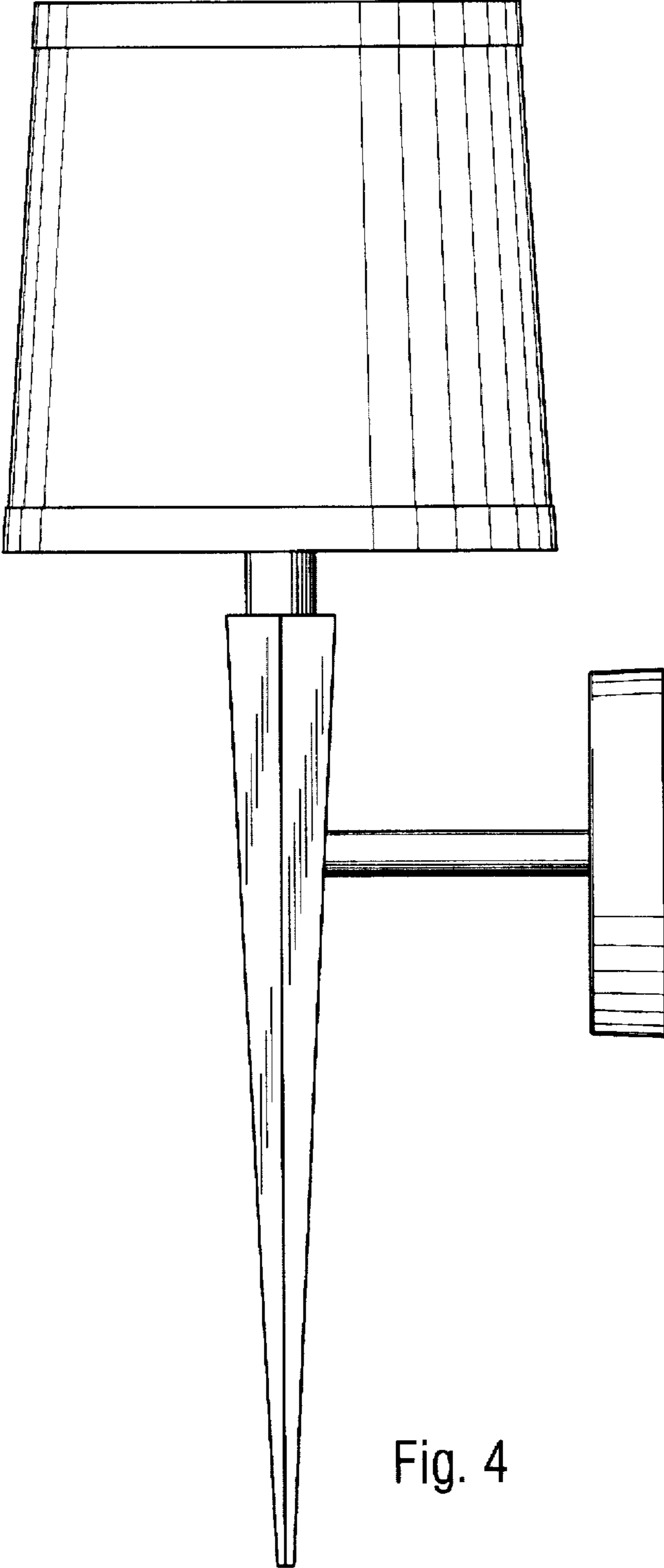


Fig. 4

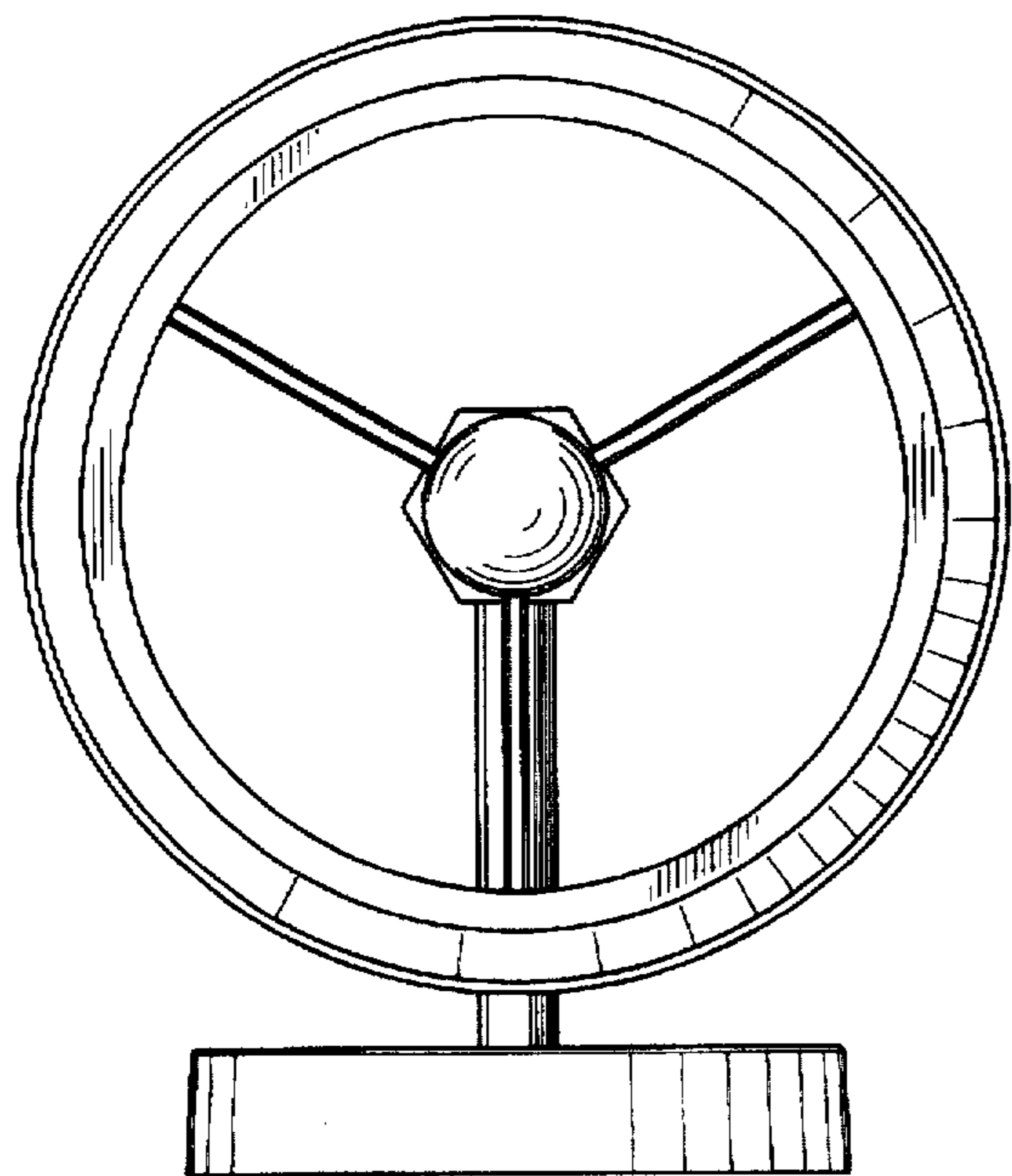


Fig. 5

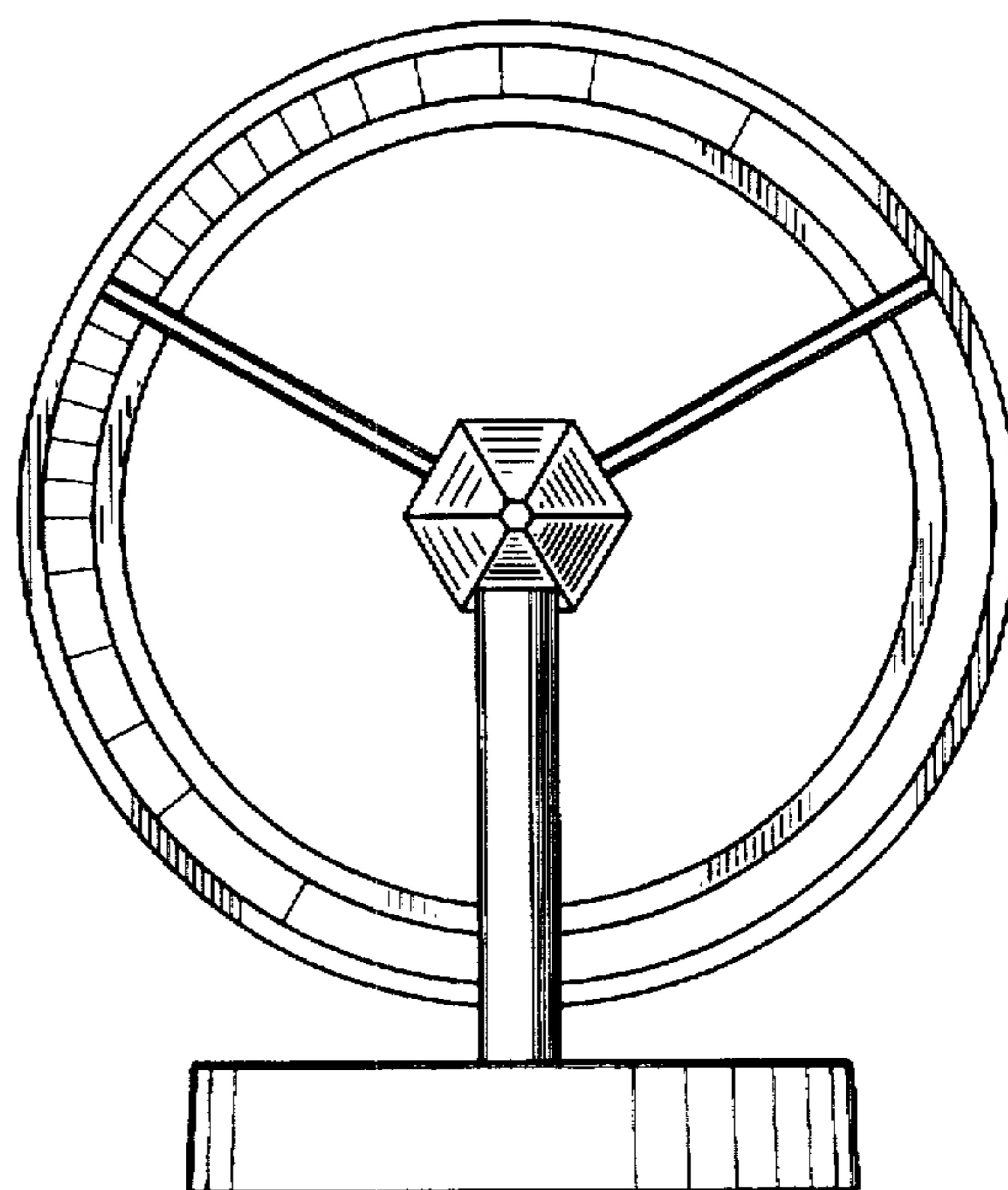


Fig. 6