

US00D394122S

United States Patent [19]

Concari et al.

[11] Patent Number: Des. 394,122

[45] Date of Patent: **May 5, 1998

[54] **COMBINED RECHARGEABLE FLASHLIGHT AND BASE THEREFOR**

[75] Inventors: **Gabriel E. Concari**, Eldersburg;
Gregory Scott Snider, Bel Air, both of Md.

[73] Assignee: **Black & Decker Inc.**, Newark, Del.

[**] Term: **14 Years**

[21] Appl. No.: **74,154**

[22] Filed: **Jul. 29, 1997**

[51] LOC (6) Cl. **26-02**

[52] U.S. Cl. **D26/38**

[58] Field of Search D26/37-50; 362/157,
362/158, 183, 184, 185, 186, 188, 189,
190, 191-208

[56] **References Cited**

U.S. PATENT DOCUMENTS

D. 205,679	9/1966	Moore et al. .	
D. 297,265	8/1988	Ingram, II	D26/38
D. 307,058	4/1990	Yuen	D26/38
D. 308,253	5/1990	Battles et al.	D26/38

D. 334,993	4/1993	Lee .	
D. 345,958	4/1994	Keller et al. .	
D. 347,079	5/1994	Hung	D26/38
D. 351,675	10/1994	Sharrah et al.	D26/38
D. 367,935	3/1996	Burns .	
D. 377,538	1/1997	Blevins	D26/38
4,388,673	6/1983	Maglica	362/183
5,165,048	11/1992	Keller et al.	320/2
5,432,689	7/1995	Sharrah et al.	362/183

Primary Examiner—Marcus A. Jackson
Attorney, Agent, or Firm—Bruce S. Shapiro; Dennis A. Dearing; John D. Del Ponti

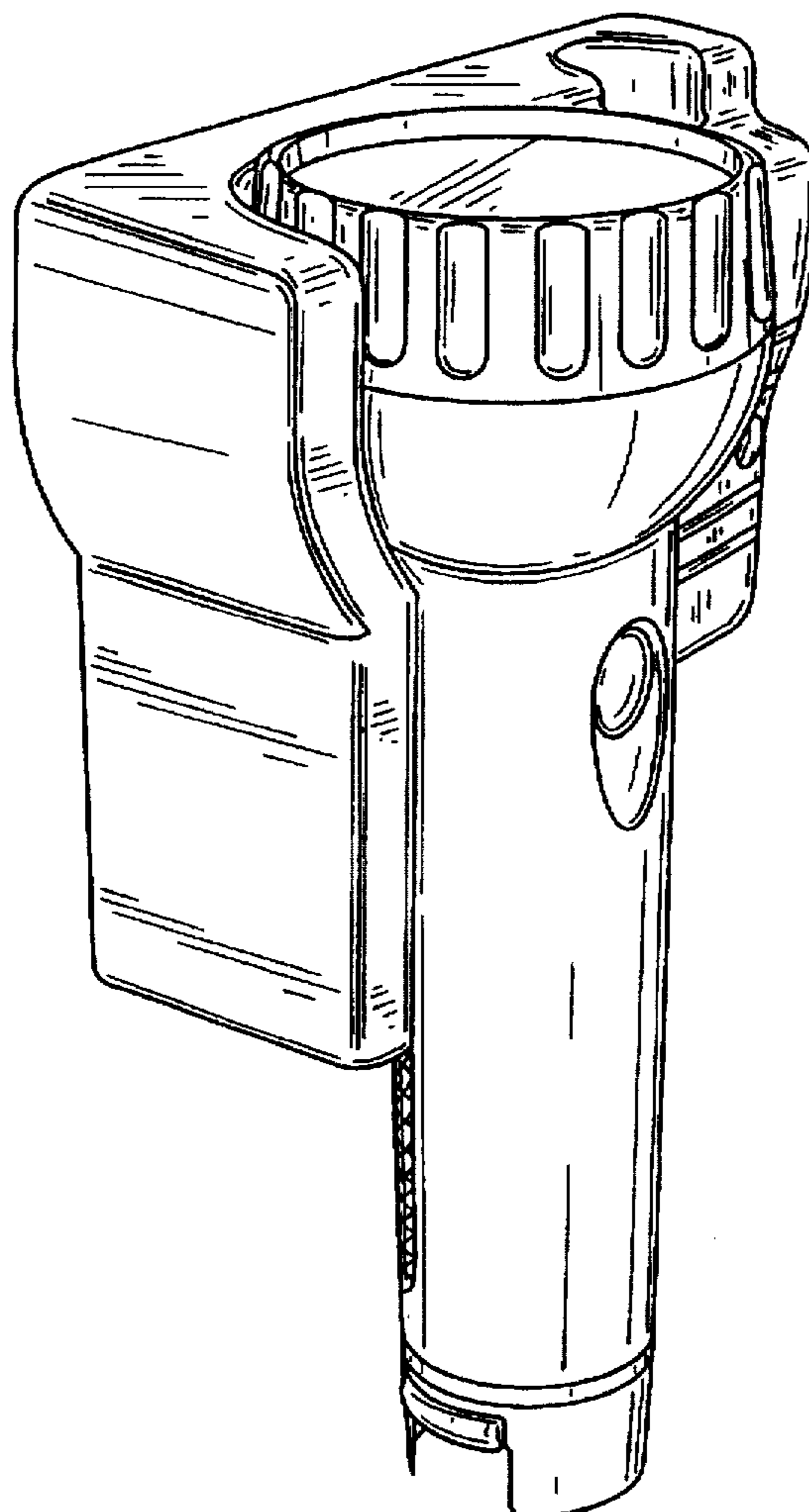
[57] **CLAIM**

The ornamental design for a combined rechargeable flashlight and base therefor, as shown and described.

DESCRIPTION

FIG. 1 is a front perspective view of a combined rechargeable flashlight and base therefor showing our new design; FIG. 2 is a front elevational view thereof; FIG. 3 is a right side elevational view thereof; FIG. 4 is a left side elevational view thereof; FIG. 5 is a top plan view thereof; and, FIG. 6 is a bottom plan view thereof.

1 Claim, 4 Drawing Sheets



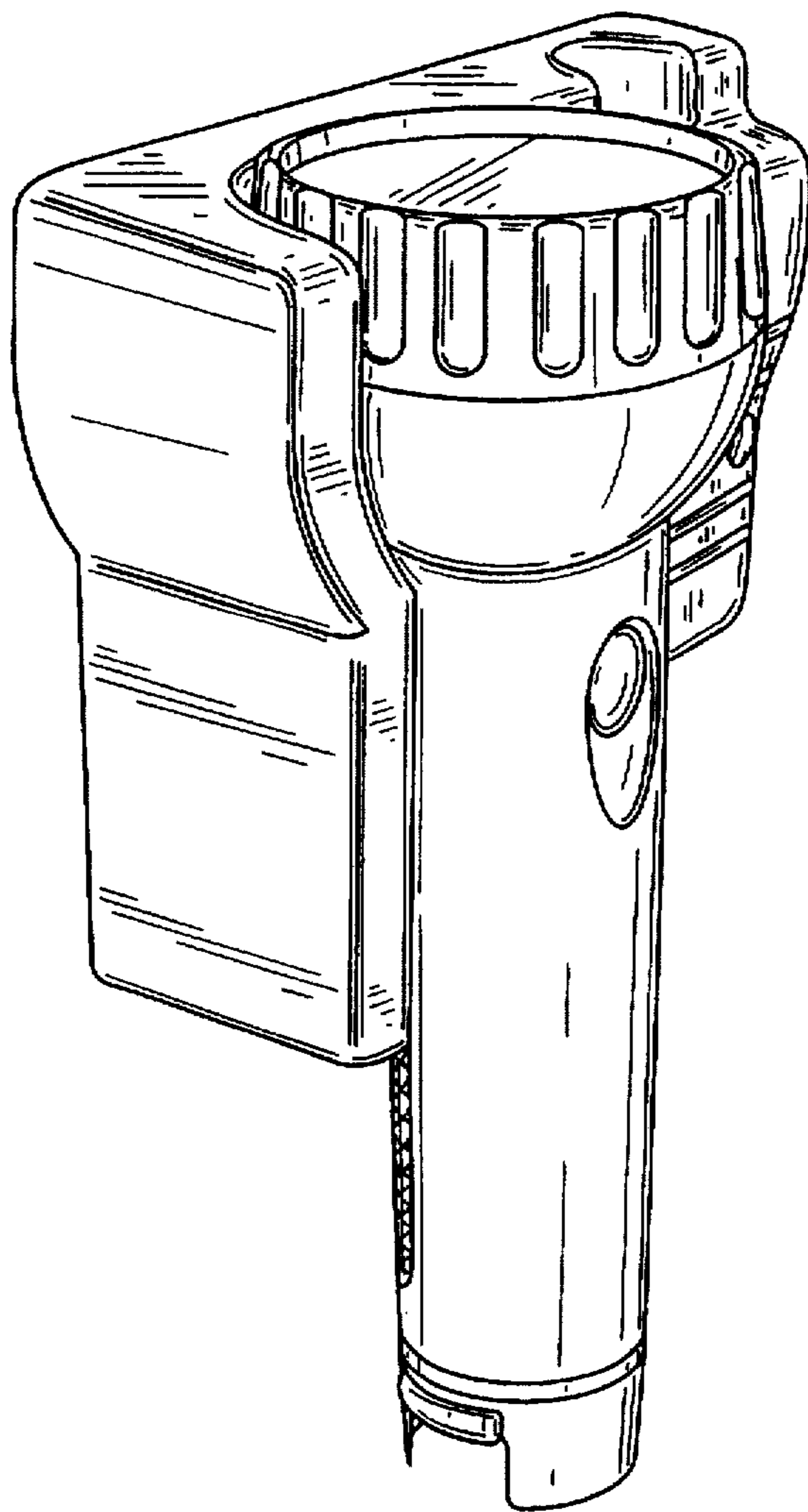


FIG. 1

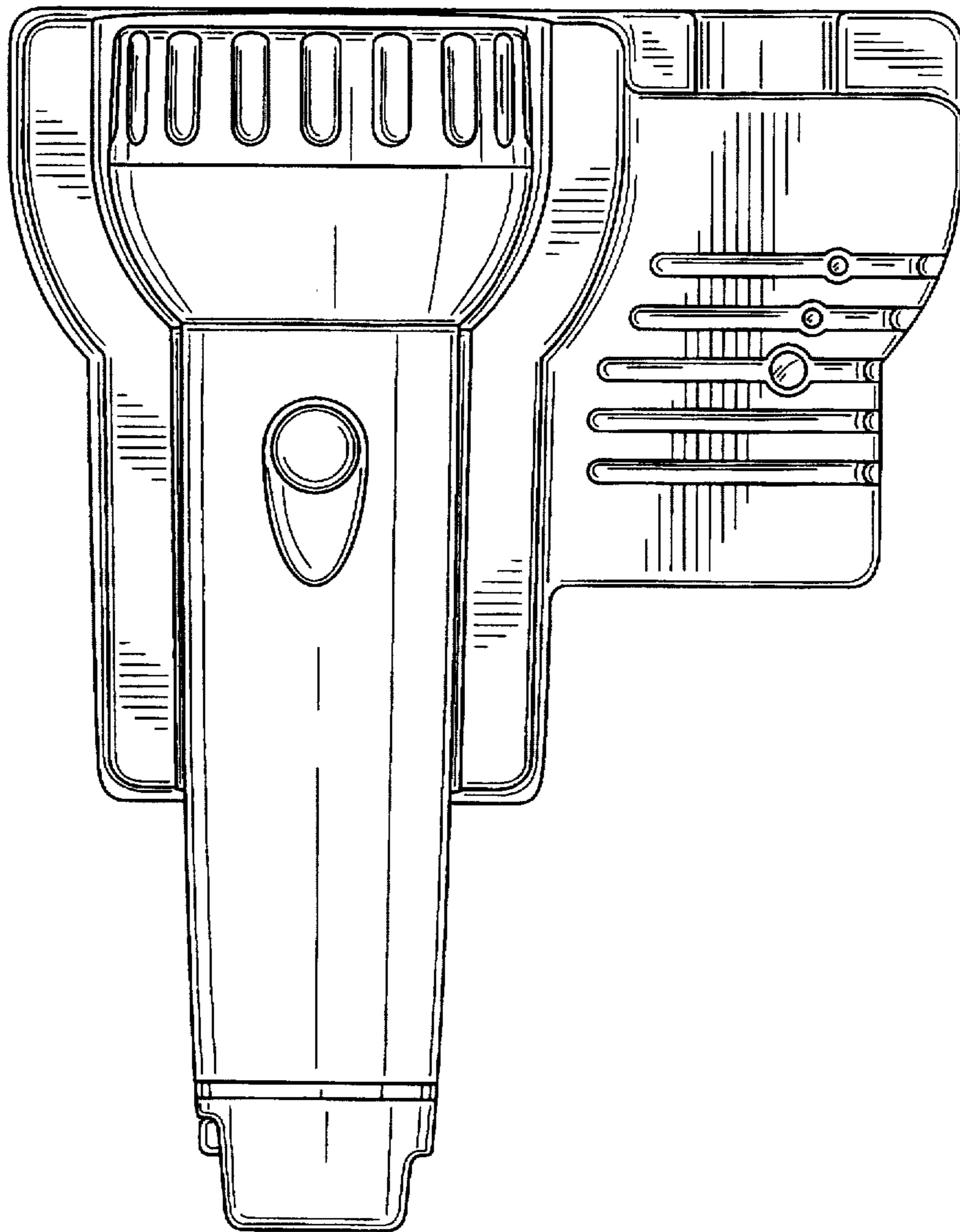


FIG. 2

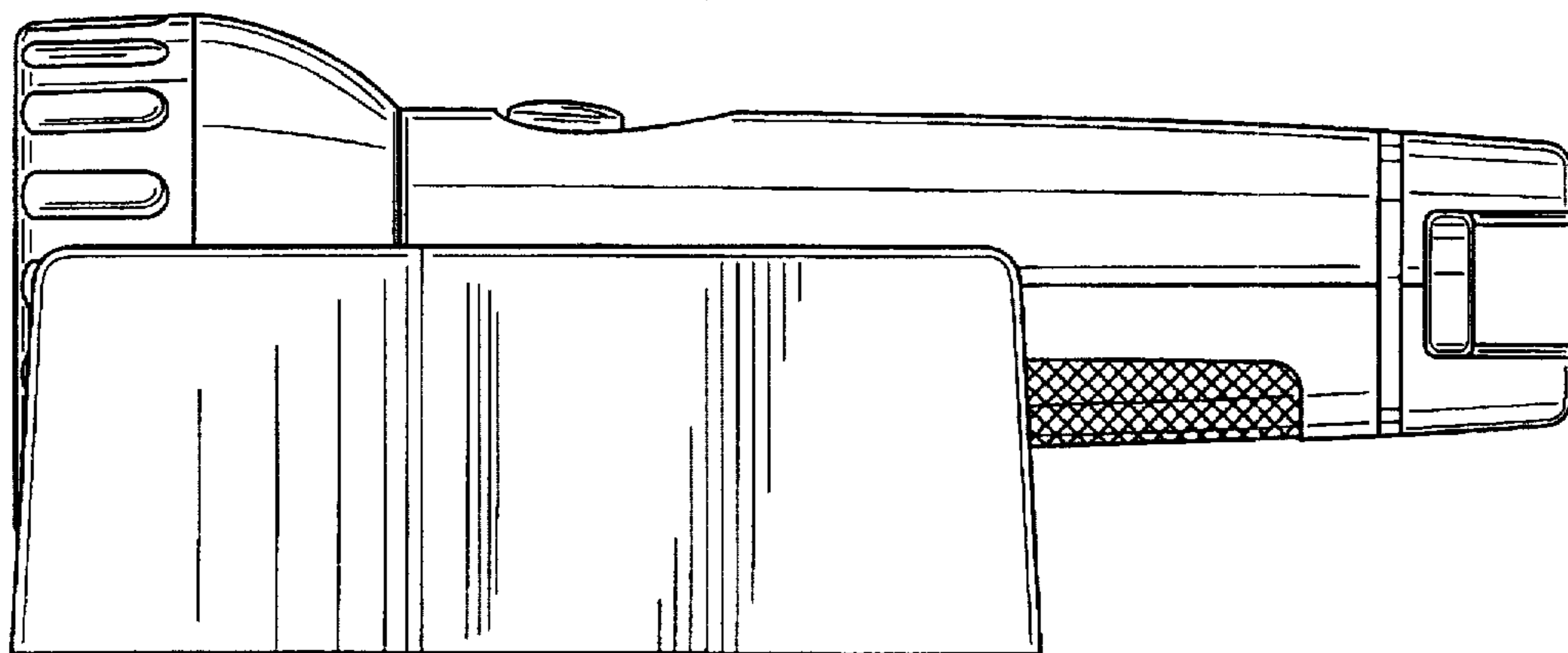


FIG. 4

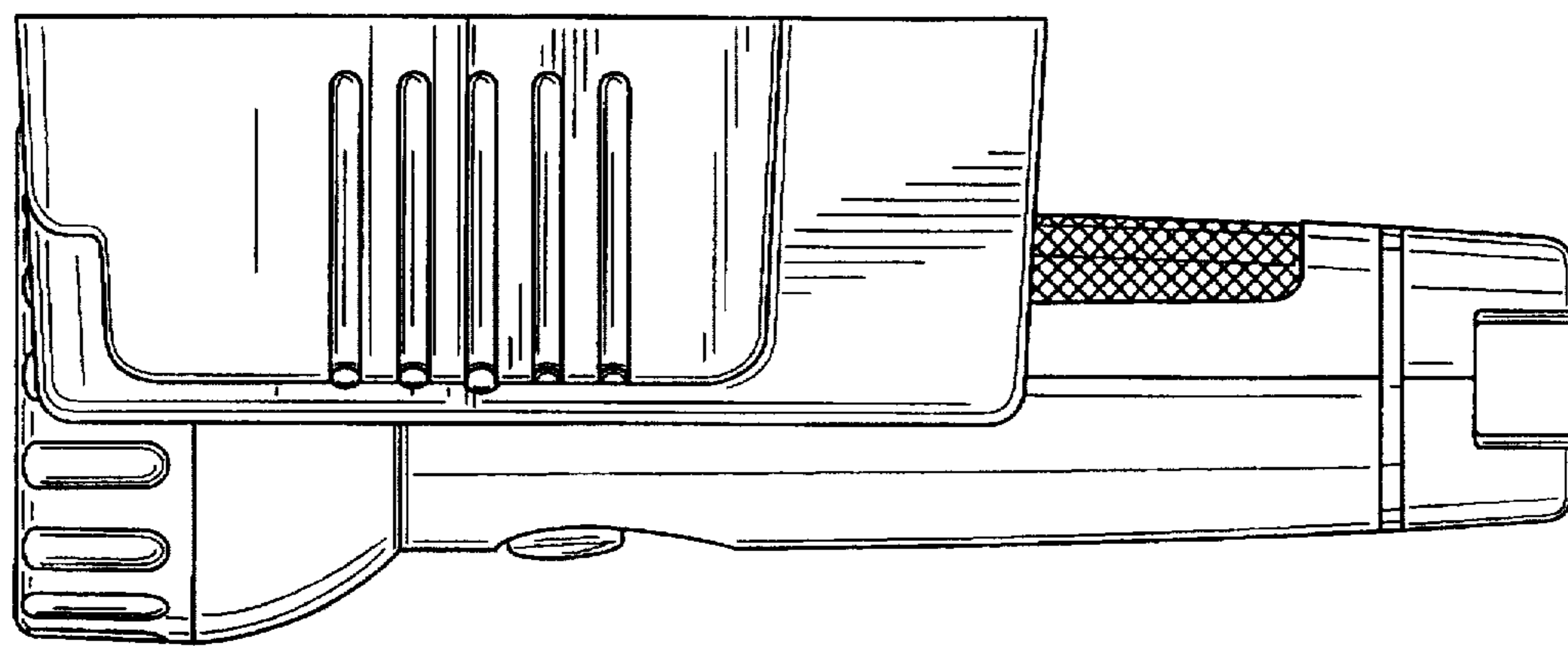


FIG. 3

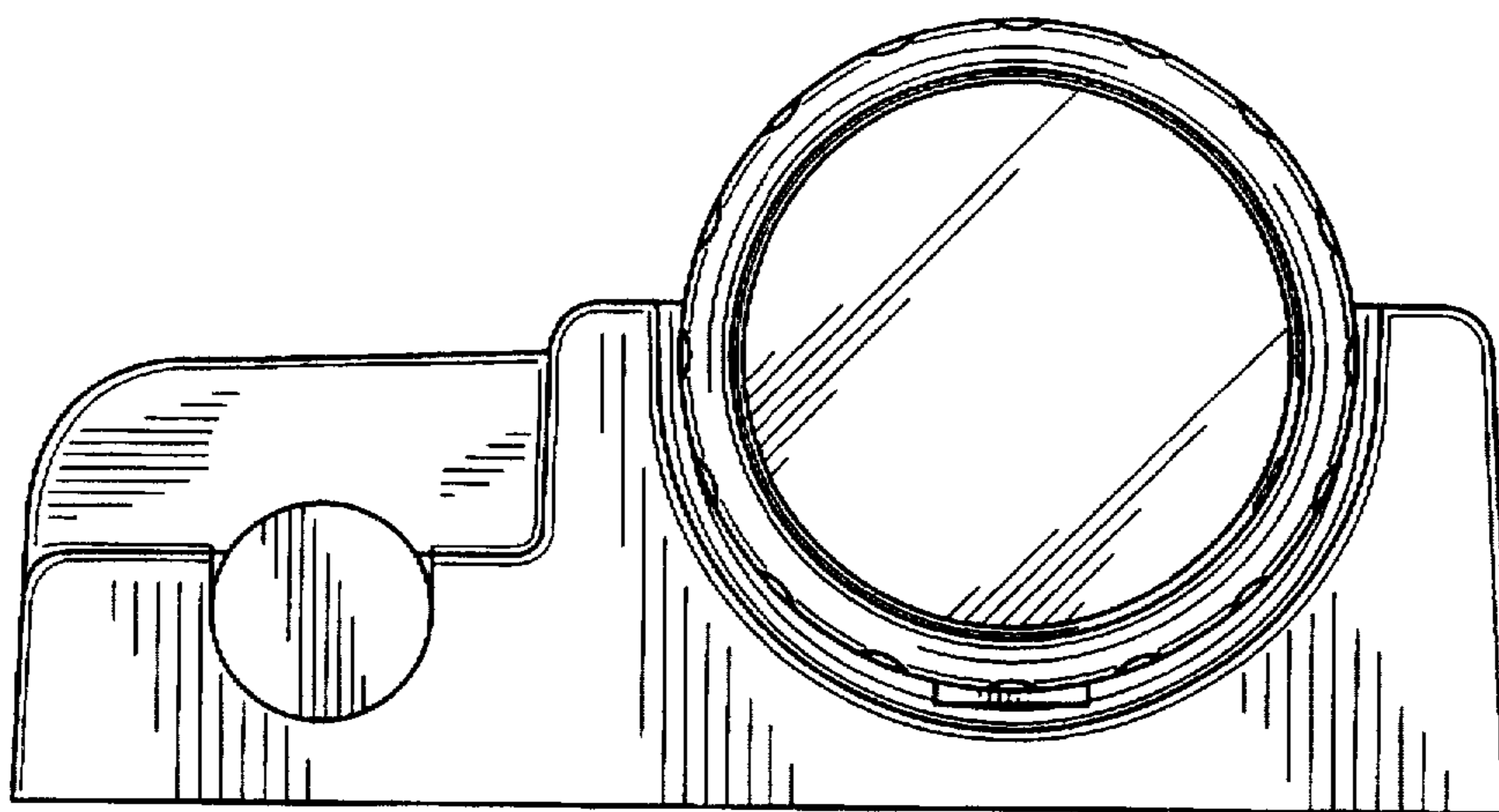


FIG. 5

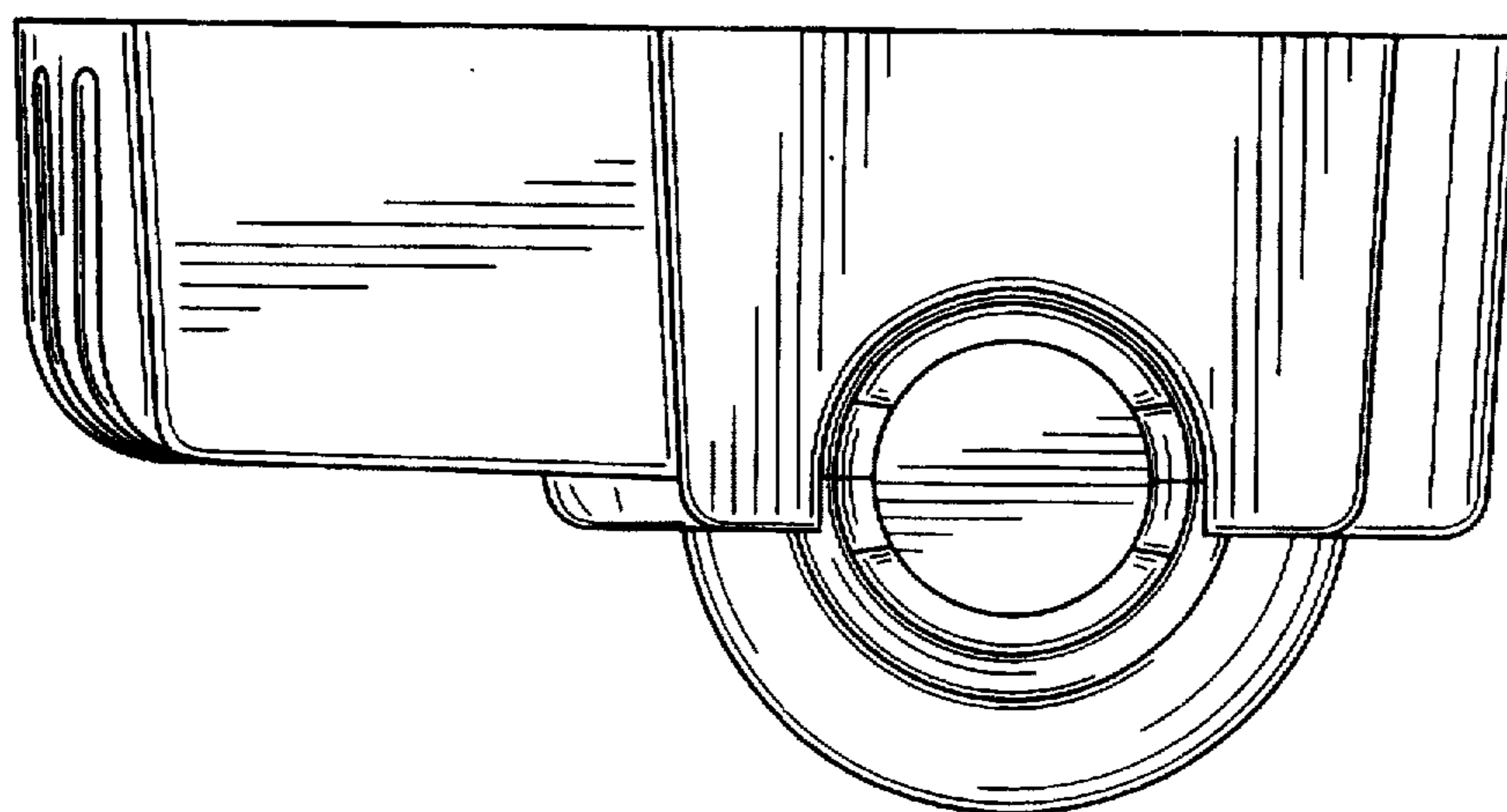


FIG. 6