

US00D394119S

**United States Patent** [19]  
**Jarrell**

[11] **Patent Number: Des. 394,119**

[45] **Date of Patent: \*\*\*May 5, 1998**

[54] **WINDOW COMPONENT EXTRUSION**

[75] **Inventor: Robert B. Jarrell, Seattle, Wash.**

[73] **Assignee: Mikron Industries, Inc., Kent, Wash.**

[\*] **Notice:** The portion of the term of this patent subsequent to May 13, 2011, has been disclaimed.

[\*\*] **Term: 14 Years**

[21] **Appl. No.: 50,026**

[22] **Filed: Feb. 6, 1996**

[51] **LOC (6) Cl. .... 25-01**

[52] **U.S. Cl. .... D25/124**

[58] **Field of Search ..... D25/52, 60, 122-125;  
49/504, 505, DIG. 2; 52/204.5, 730.3, 730.4,  
730.5**

[56] **References Cited**

**U.S. PATENT DOCUMENTS**

D. 379,241 5/1997 Jarrell ..... D25/124

**OTHER PUBLICATIONS**

Mikron Industries Design No. 6497, Inventor: Douglas Cole.

Mikron Industries Design No. 7104, Inventor: Teresa Oliver both prior art designs were known by others before the conception of the invention by applicant and/or were sold, offered for sale, or publically used more than one year prior to the filing date of the present application.

*Primary Examiner*—Doris Clark

*Attorney, Agent, or Firm*—Richardson & Folise

[57] **CLAIM**

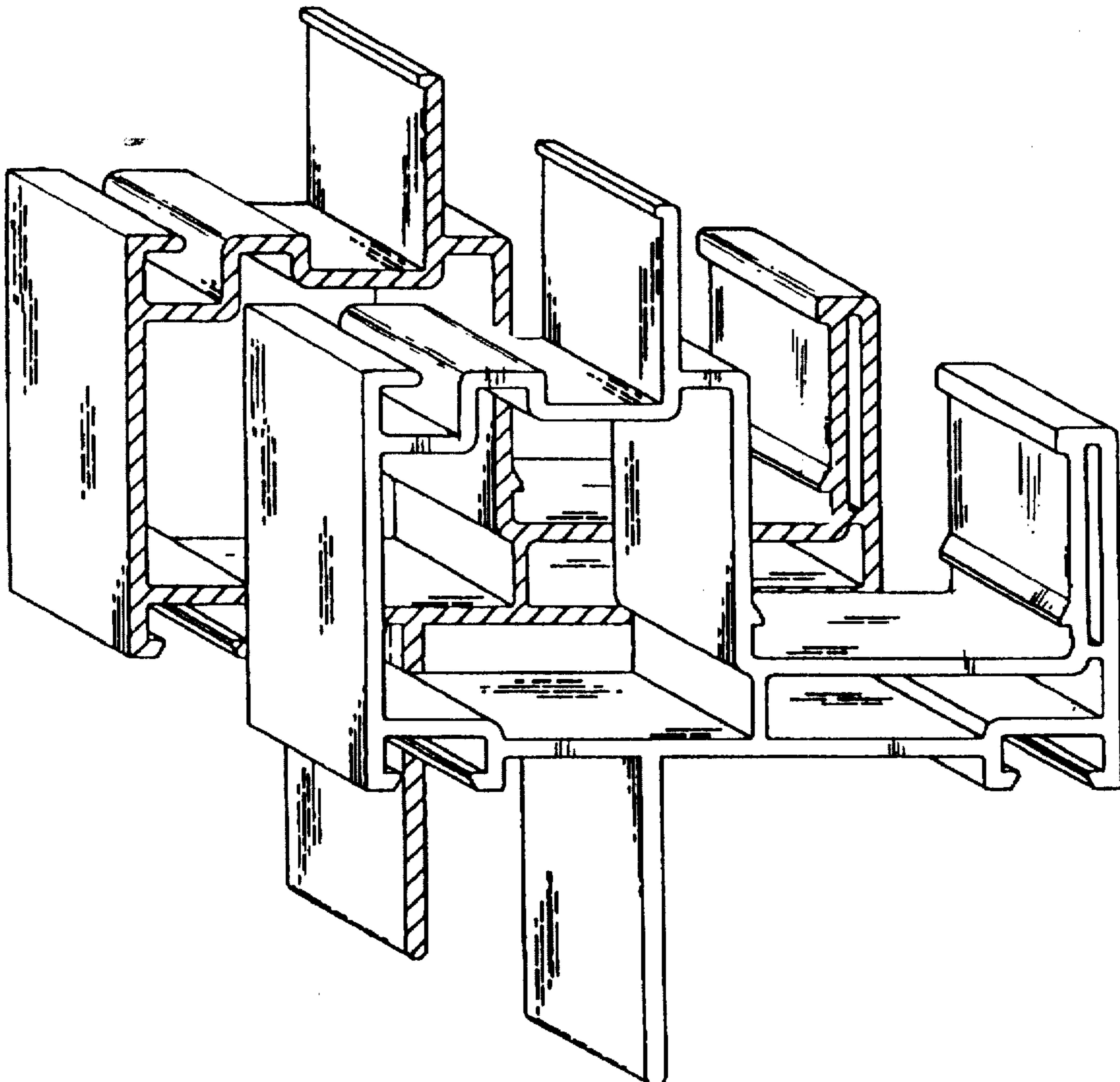
The ornamental design for a window component extrusion, as shown and described.

**DESCRIPTION**

FIG. 1 is a top right perspective view of the window component extrusion which is broken away in the center to disclose indefinite length; and,

FIG. 2 is a bottom left perspective view of the window component extrusion shown in FIG. 1.

**1 Claim, 2 Drawing Sheets**



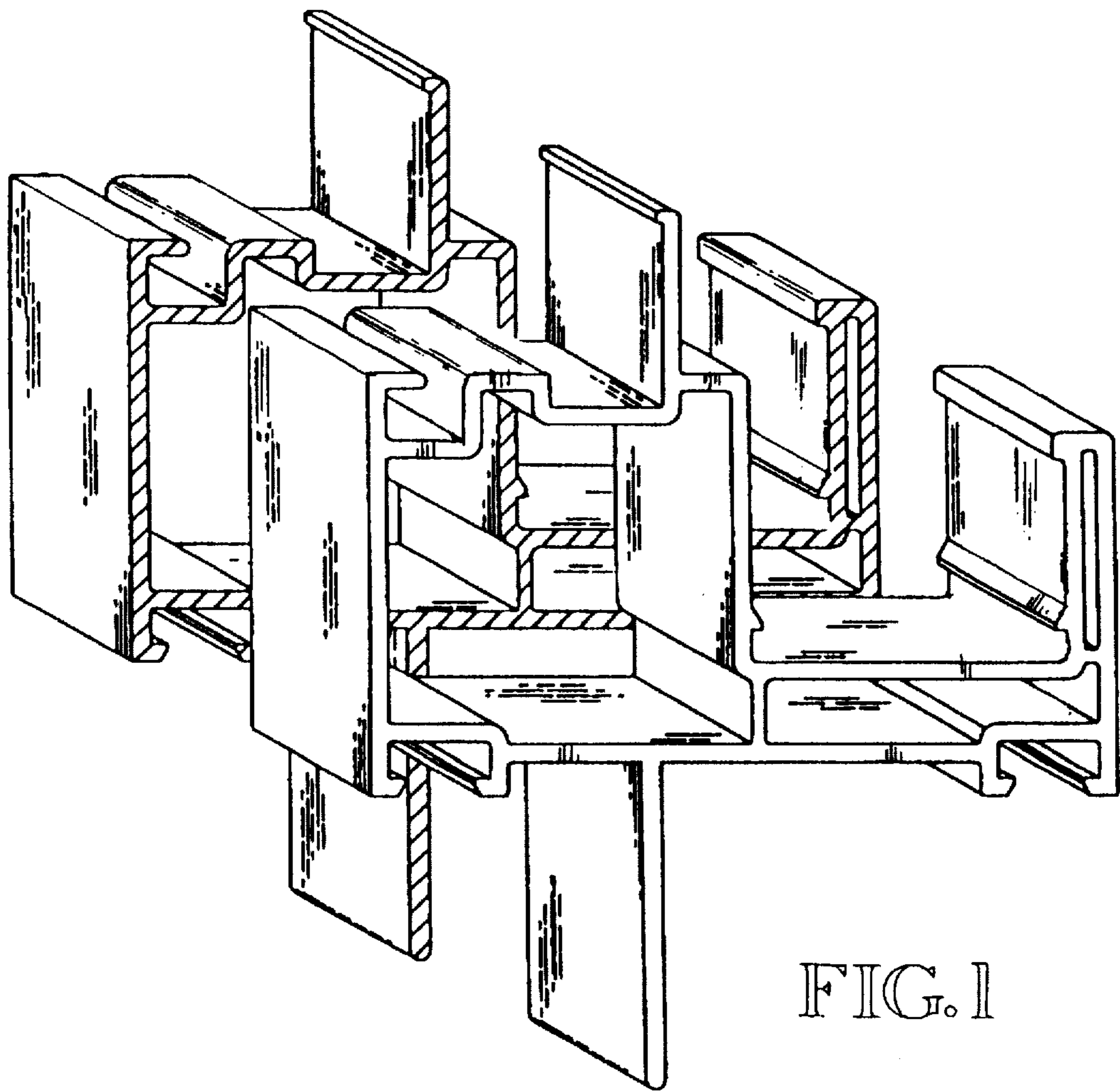


FIG. 1

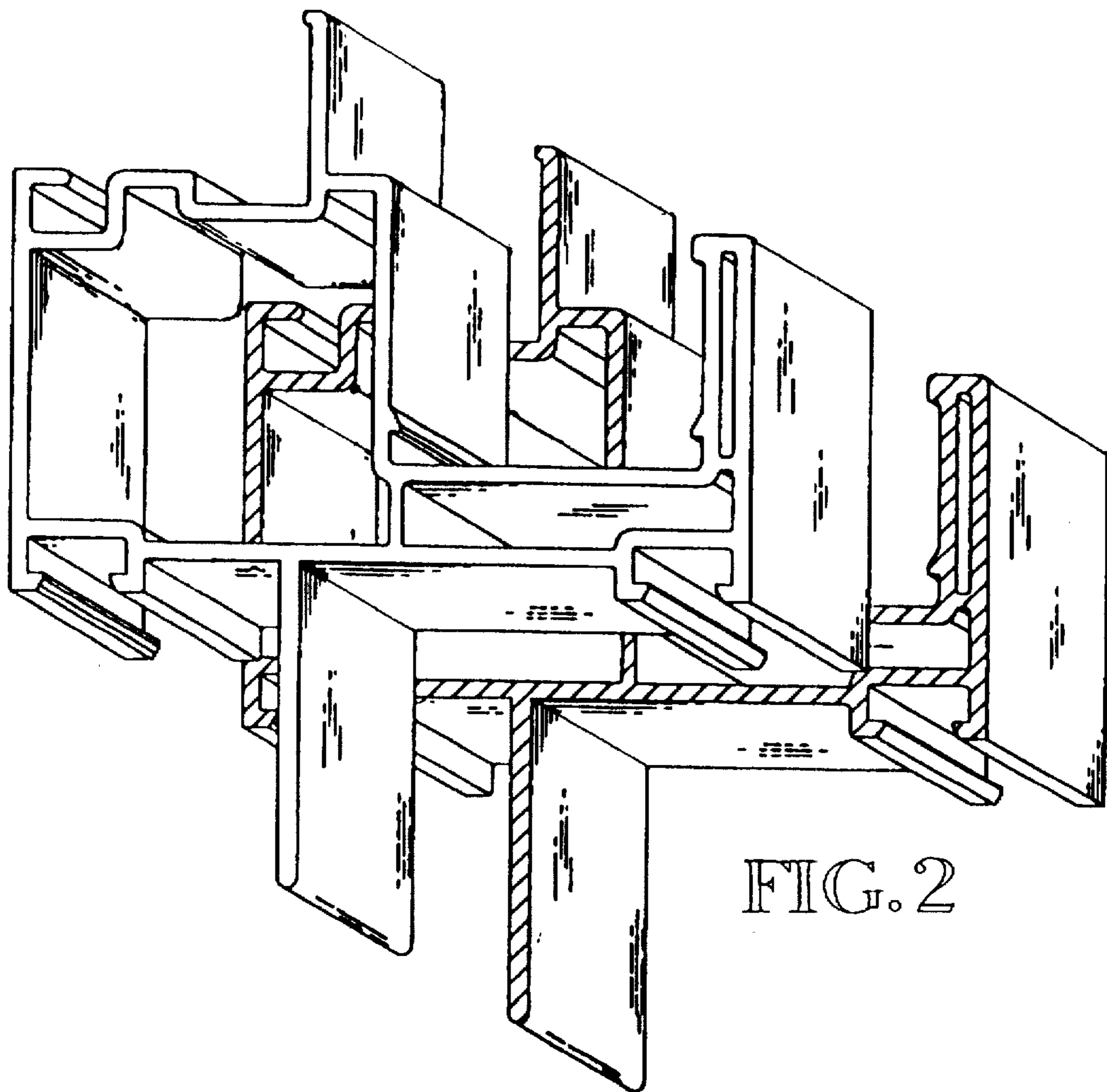


FIG. 2