



US00D394116S

United States Patent [19]
Plummer

[11] **Patent Number: Des. 394,116**
[45] **Date of Patent: **May 5, 1998**

[54] **PICTURE WINDOW**

D. 247,047 1/1978 Damiana D25/52
1,966,196 7/1934 Benoit 52/204.5

[75] **Inventor: David D. Plummer, Hudson, Wis.**

Primary Examiner—Doris Clark

[73] **Assignee: Andersen Corporation, Bayport, Minn.**

Attorney, Agent, or Firm—Merchant, Gould, Smith, Edell,
Welter & Schmidt, P.A.

[**] **Term: 14 Years**

[57] **CLAIM**

[21] **Appl. No.: 52,292**

The ornamental design for a picture window, as shown and described.

[22] **Filed: Mar. 27, 1996**

DESCRIPTION

[51] **LOC (6) Cl. 25-02**

[52] **U.S. Cl. D25/52**

[58] **Field of Search D25/52; 52/204.1,
52/204.5, 786.1, 786.13; 49/501**

FIG. 1 is a perspective view of my new design;
FIG. 2 is an enlarged fragmentary view of the lower right corner thereof; and,
FIG. 3 is a cross-sectional view taken generally along line 3—3 of FIG. 1, the interior surface profile being uniform about the entire perimeter of the window.

[56] **References Cited**

U.S. PATENT DOCUMENTS

D. 201,957 8/1965 Seman et al. D25/52

1 Claim, 2 Drawing Sheets

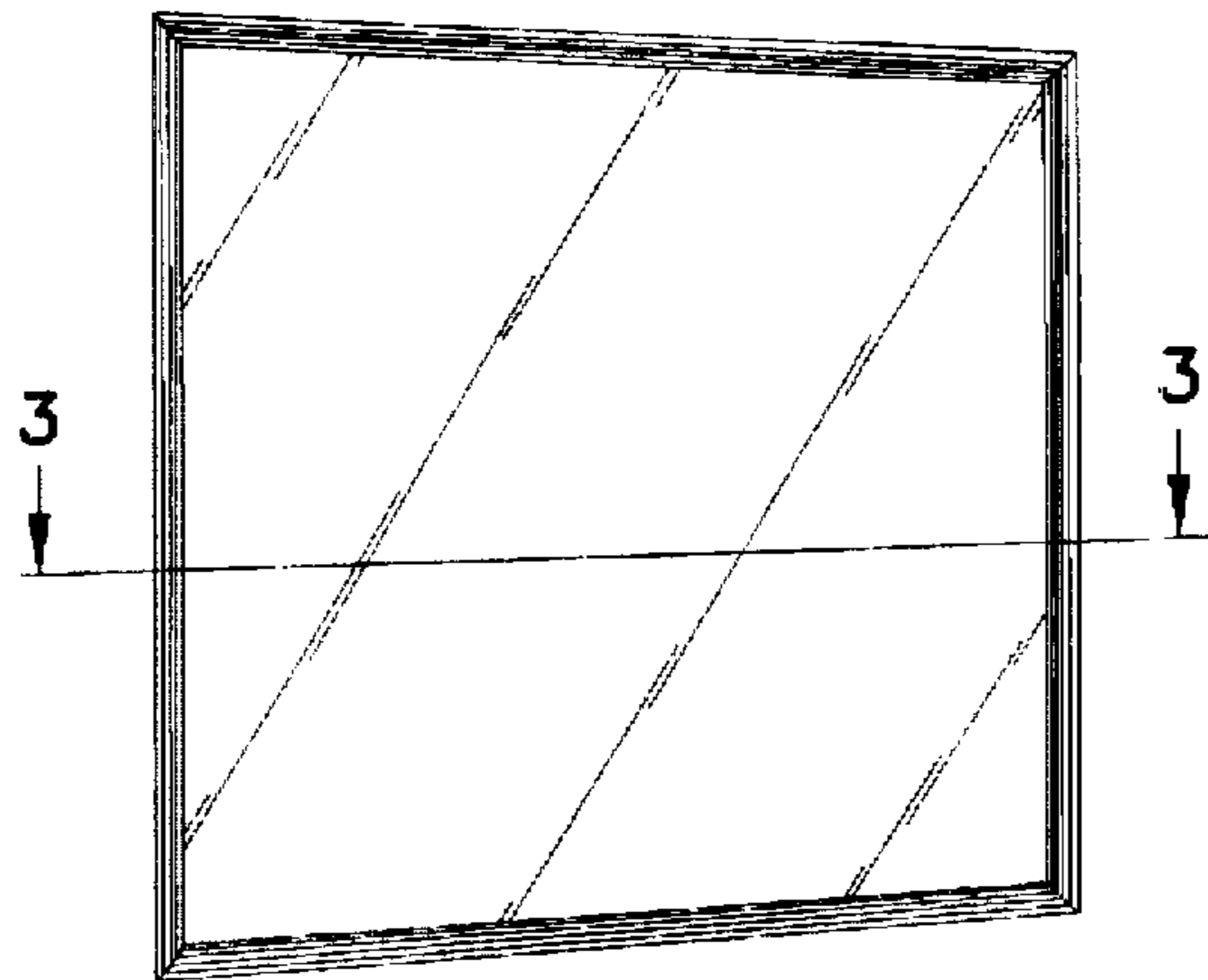


FIG. 1

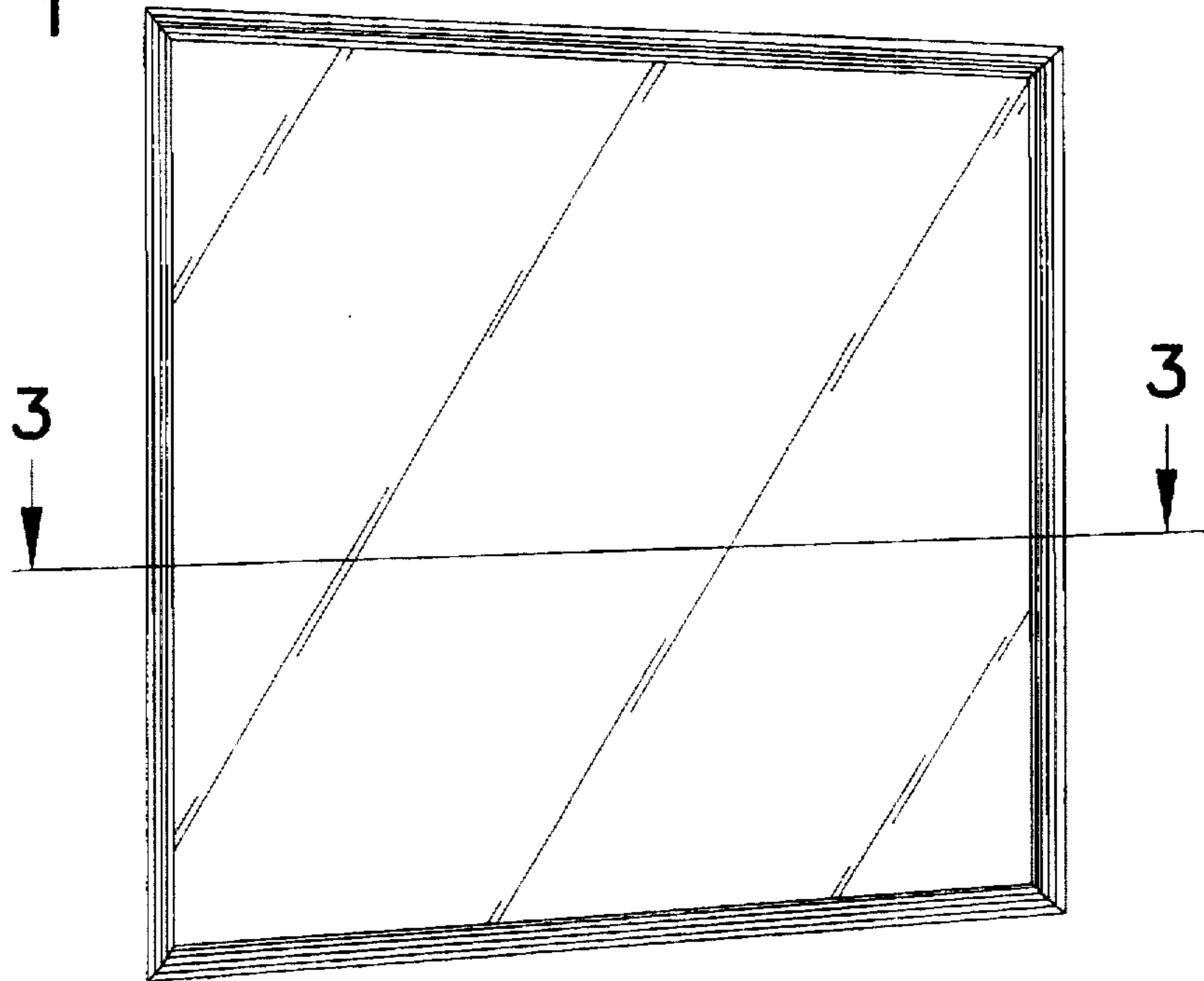
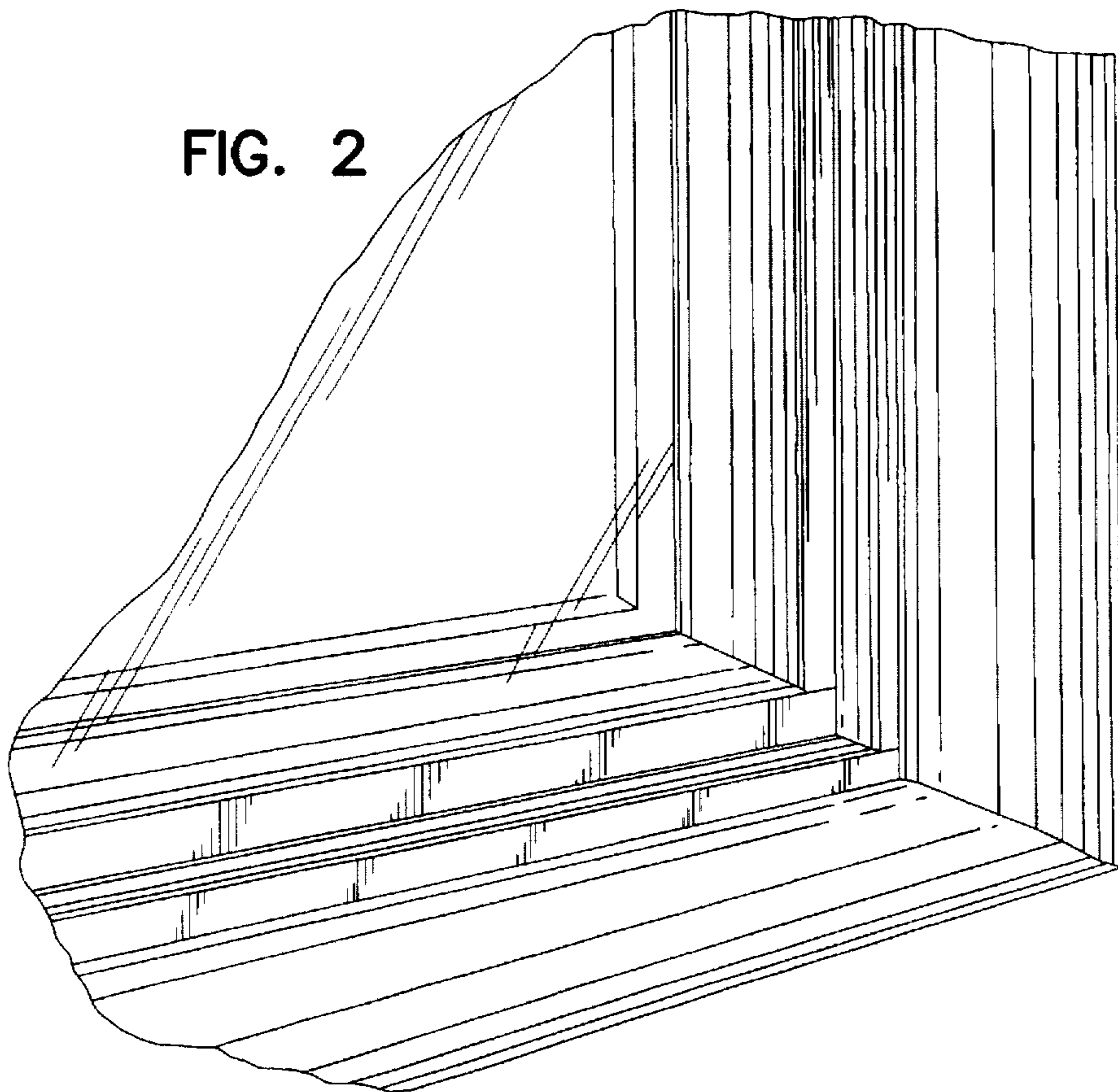


FIG. 2



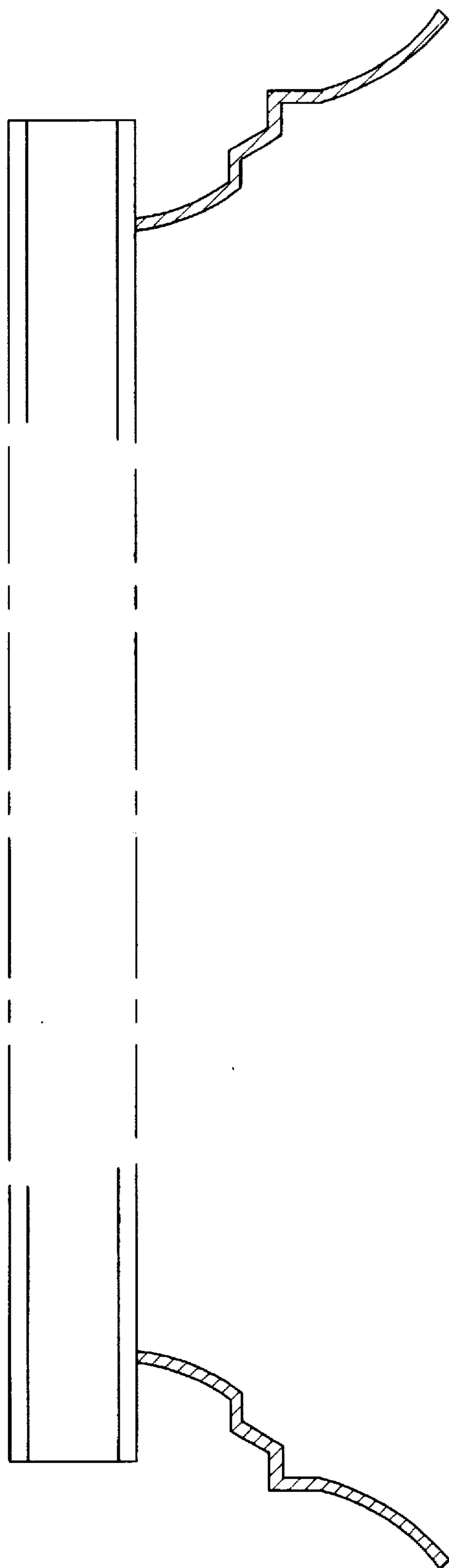


FIG. 3