



US00D394115S

United States Patent [19]

[11] **Patent Number: Des. 394,115**

Bruchu et al.

[45] **Date of Patent: **May 5, 1998**

[54] **DOUBLE HUNG WINDOW**

Primary Examiner—Doris Clark

[75] **Inventors: Todd W. Bruchu, Lake Elmo, Minn.;
David D. Plummer, Hudson, Wis.**

*Attorney, Agent, or Firm—Merchant, Gould, Smith, Edell,
Welter & Schmidt, P.A.*

[73] **Assignee: Andersen Corporation, Bayport, Minn.**

[57] **CLAIM**

[**] **Term: 14 Years**

The ornamental design for a double hung window, as shown
and described.

[21] **Appl. No.: 52,289**

DESCRIPTION

[22] **Filed: Mar. 27, 1996**

FIG. 1 is a front elevational view of the double hung window
showing our new design;

[51] **LOC (6) Cl. 25-02**

FIG. 2 is an enlarged fragmentary view of the left corner of
the center rail in FIG. 1;

[52] **U.S. Cl. D25/52**

FIG. 3 is a cross-sectional view taken along line 3—3 of
FIG. 2;

[58] **Field of Search D25/52; 52/204.5,
52/204.1, 656.1, 656.7; 49/501, 450, 463,
464**

FIG. 4 is an enlarged fragmentary view of the top left corner
in FIG. 1;

[56] **References Cited**

FIG. 5 is a cross-sectional view taken along line 5—5 of
FIG. 4; and,

U.S. PATENT DOCUMENTS

FIG. 6 is a cross-sectional view taken along line 6—6 of
FIG. 1.

D. 299,544 1/1989 Nolan D25/52
1,804,741 5/1931 Butzbach 52/204.5

1 Claim, 2 Drawing Sheets

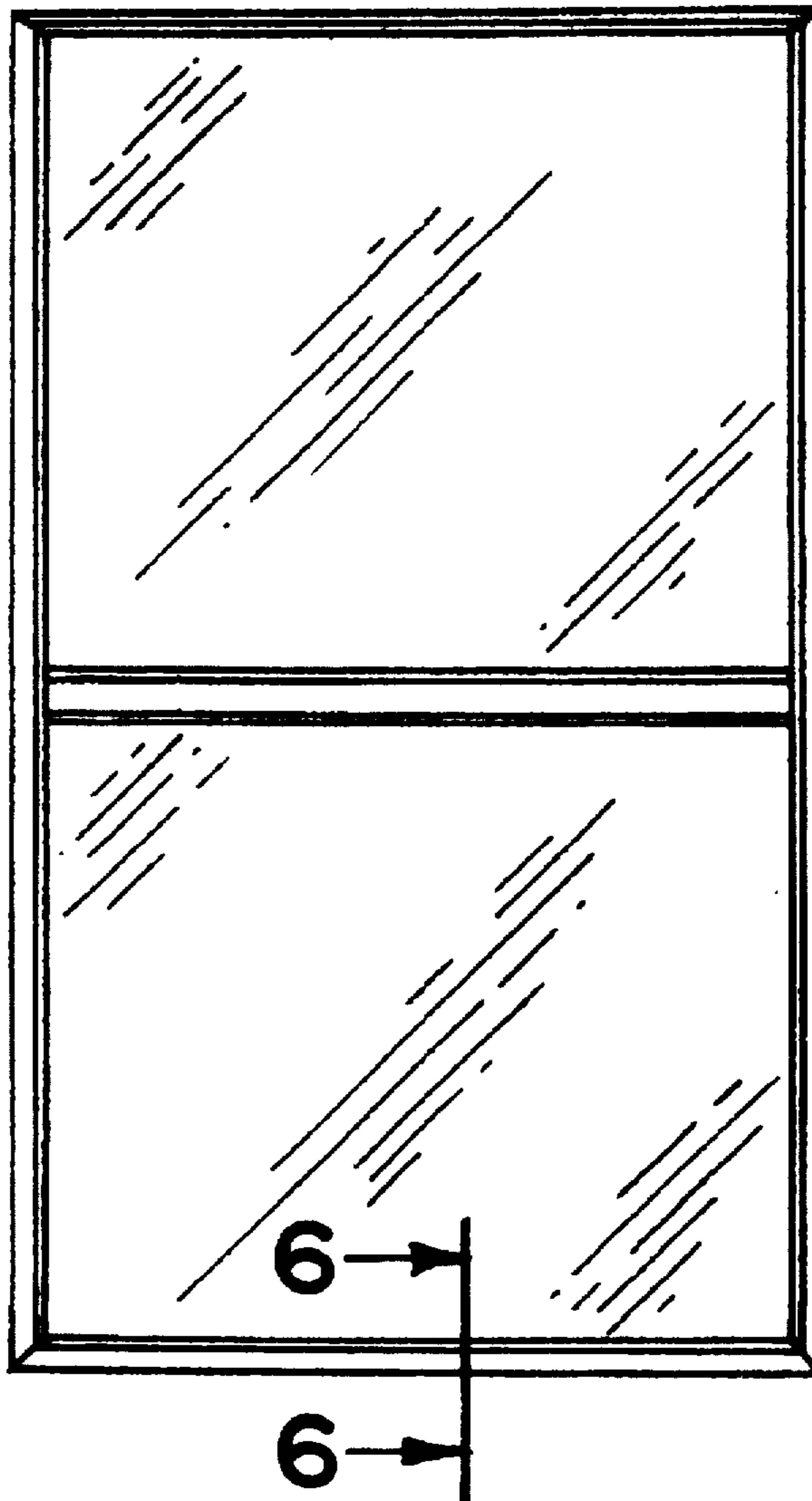


FIG. 1

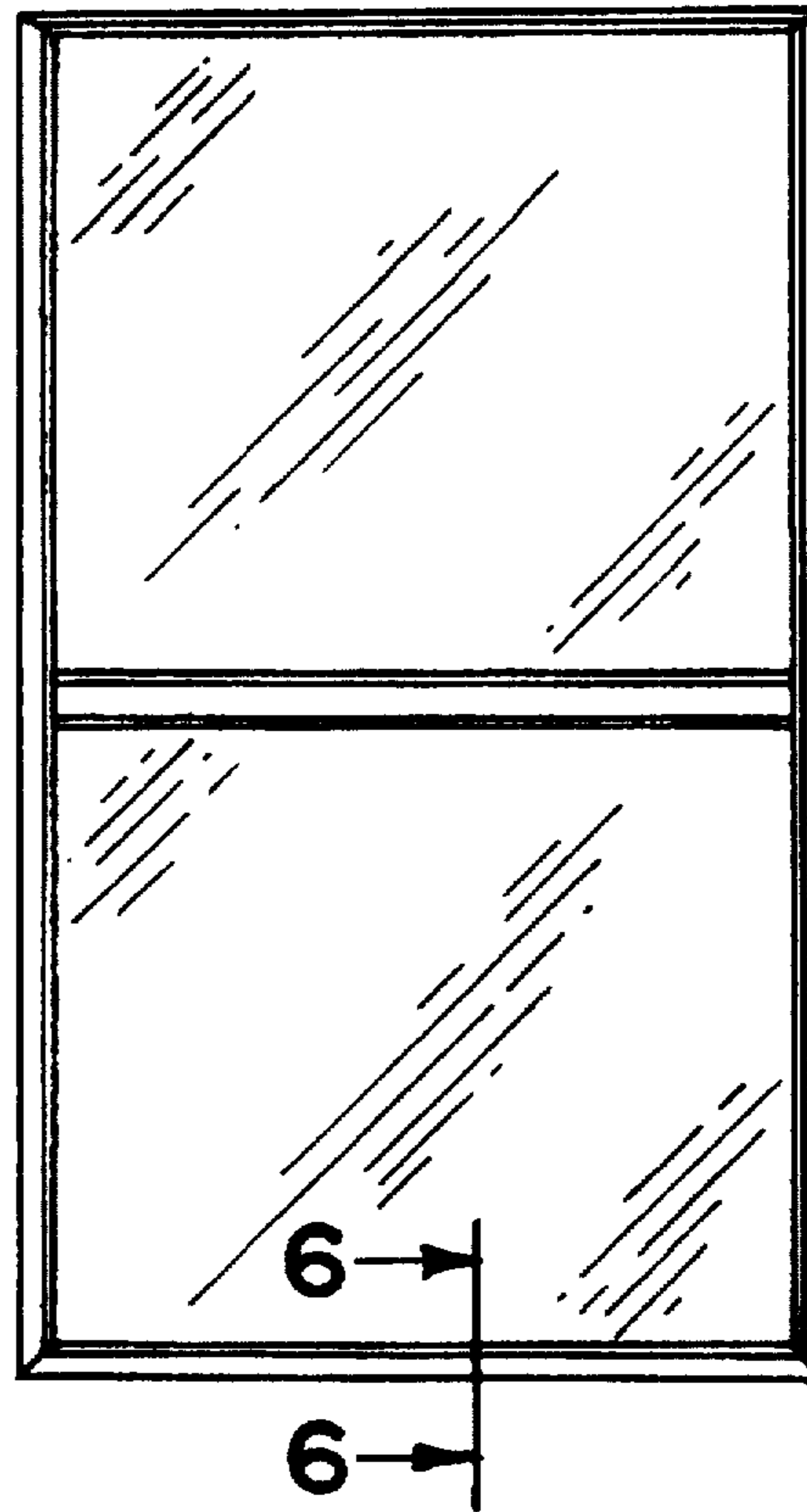


FIG. 2

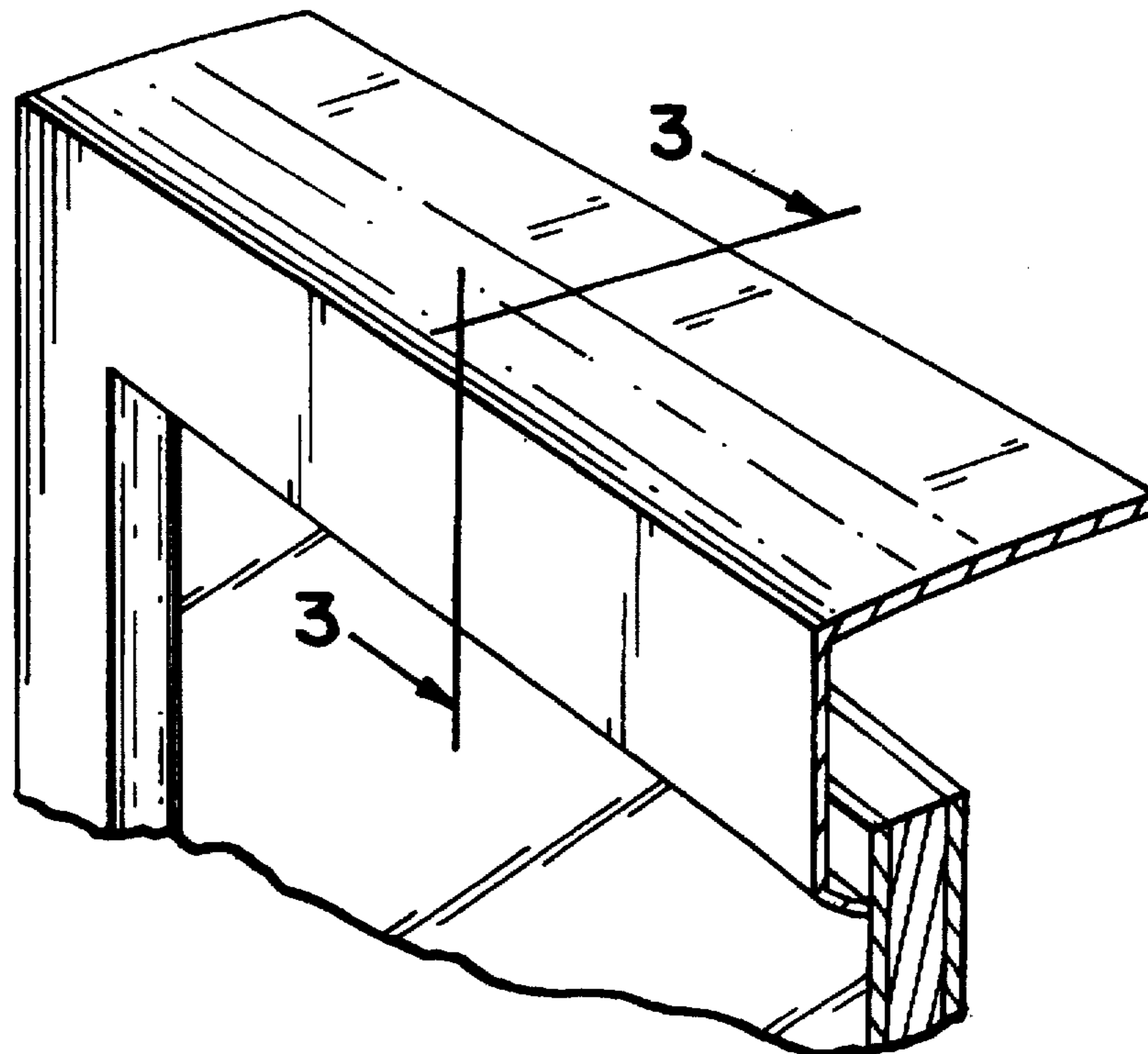


FIG. 3

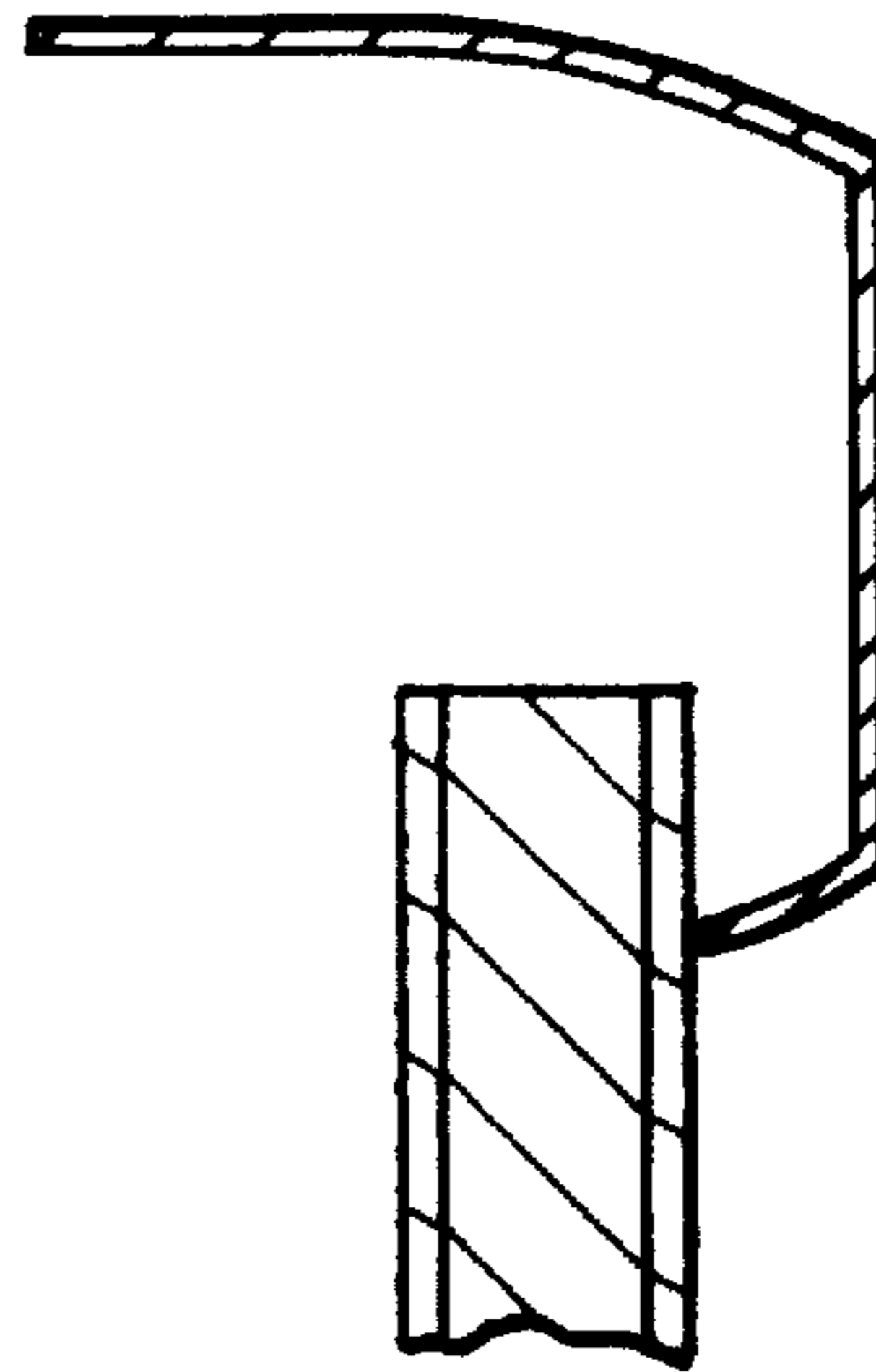


FIG. 4

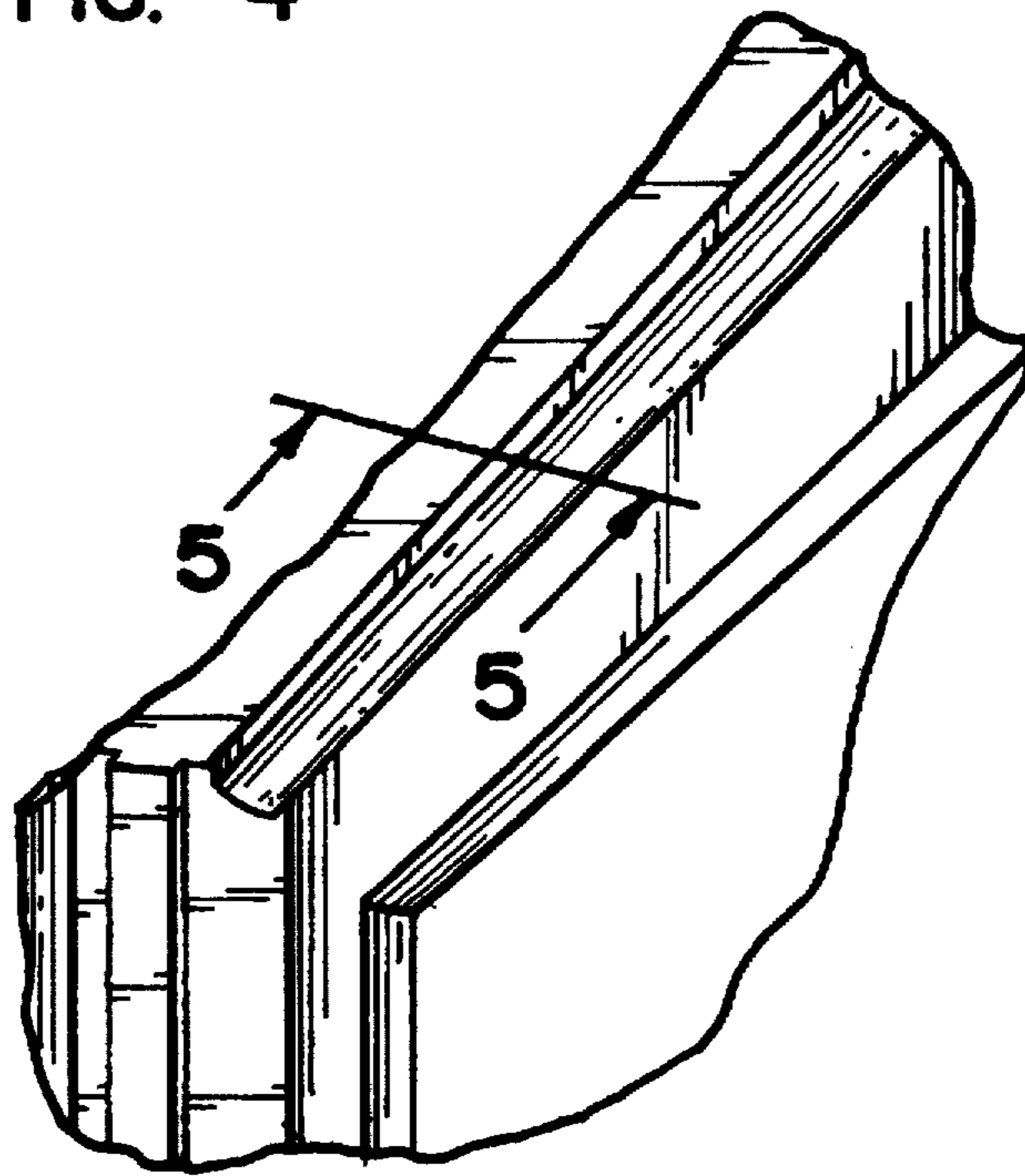


FIG. 6

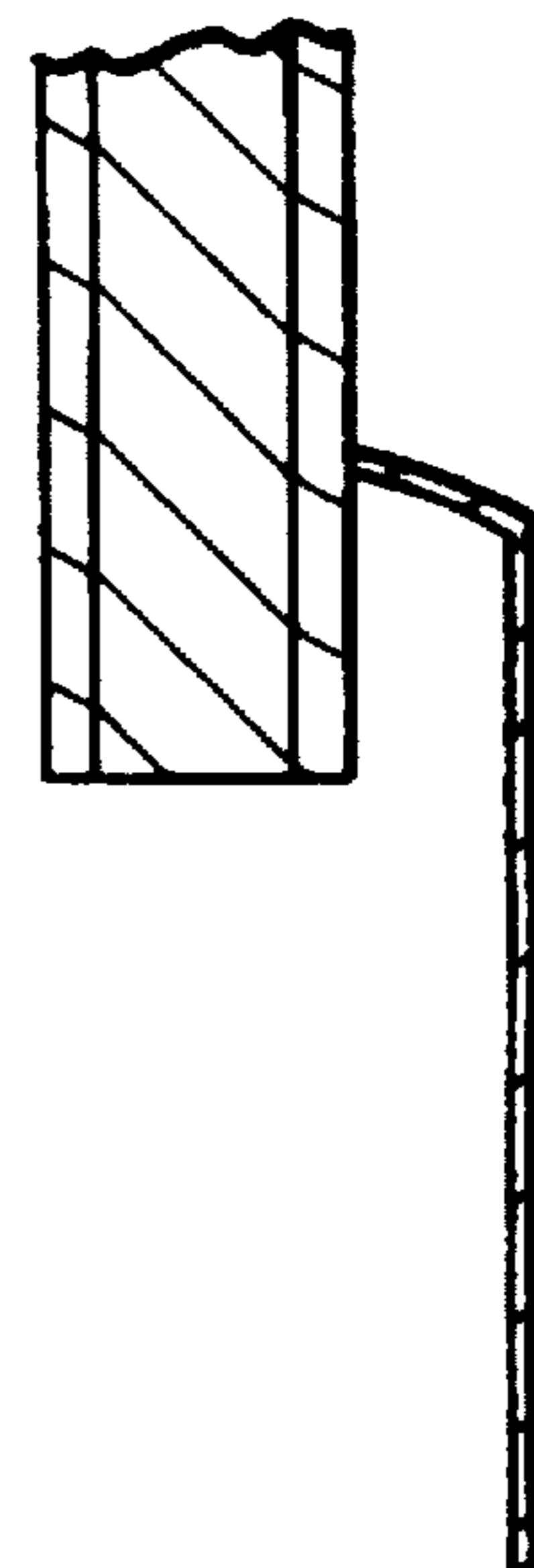


FIG. 5

