



US00D394103S

United States Patent [19]

[11] Patent Number: **Des. 394,103**

Lee

[45] Date of Patent: ****May 5, 1998**

[54] **COMBINED CEILING FAN MOTOR HOUSING AND LIGHT**

405099191 4/1993 Japan 416/146 R

[76] Inventor: **Ching-Tan Lee**, No. 52, Lane 480, Sec. 2, Fengshi Rd., Fengyuan, Taichung Hsien, Taiwan

Primary Examiner—Lisa Lichtenstein
Attorney, Agent, or Firm—Morton J. Rosenberg; David I. Klein; Jun Y. Lee

[**] Term: **14 Years**

[57] **CLAIM**

[21] Appl. No.: **75,173**

The ornamental design for a combined ceiling fan motor housing and light, as shown and described.

[22] Filed: **Aug. 20, 1997**

DESCRIPTION

[51] LOC (6) Cl. **23-04**

[52] U.S. Cl. **D23/411; D23/377; D23/385; D26/72**

[58] Field of Search D23/377, 379, D23/385, 411; 416/5, 170 R; 417/423.14; D26/72, 81-86, 88, 59, 51

FIG. 1 is a front-right-top perspective view of a combined ceiling fan motor housing and light, showing my new design;

FIG. 2 is a front elevational view thereof;

FIG. 3 is rear elevational view thereof;

FIG. 4 is a left side elevational view thereof; and

FIG. 5 is a right side elevational view thereof;

FIG. 6 is a top plan view thereof; and

FIG. 7 is a bottom plan view thereof; and,

FIG. 8 is a perspective view thereof on a reduced scale, the broken-line showing of environmental structure is for illustrative purposes only and forms no part of the claimed design.

[56] **References Cited**

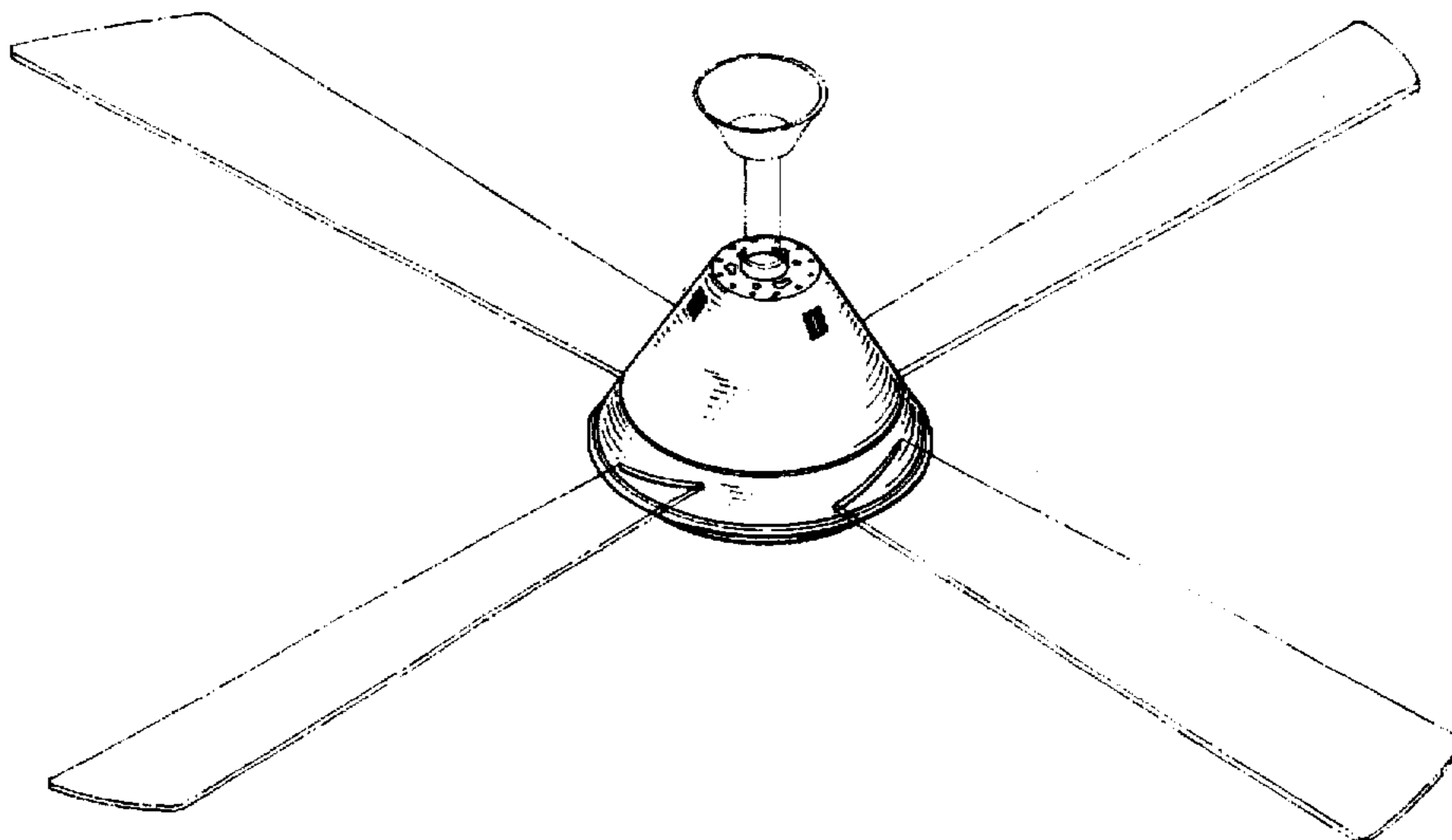
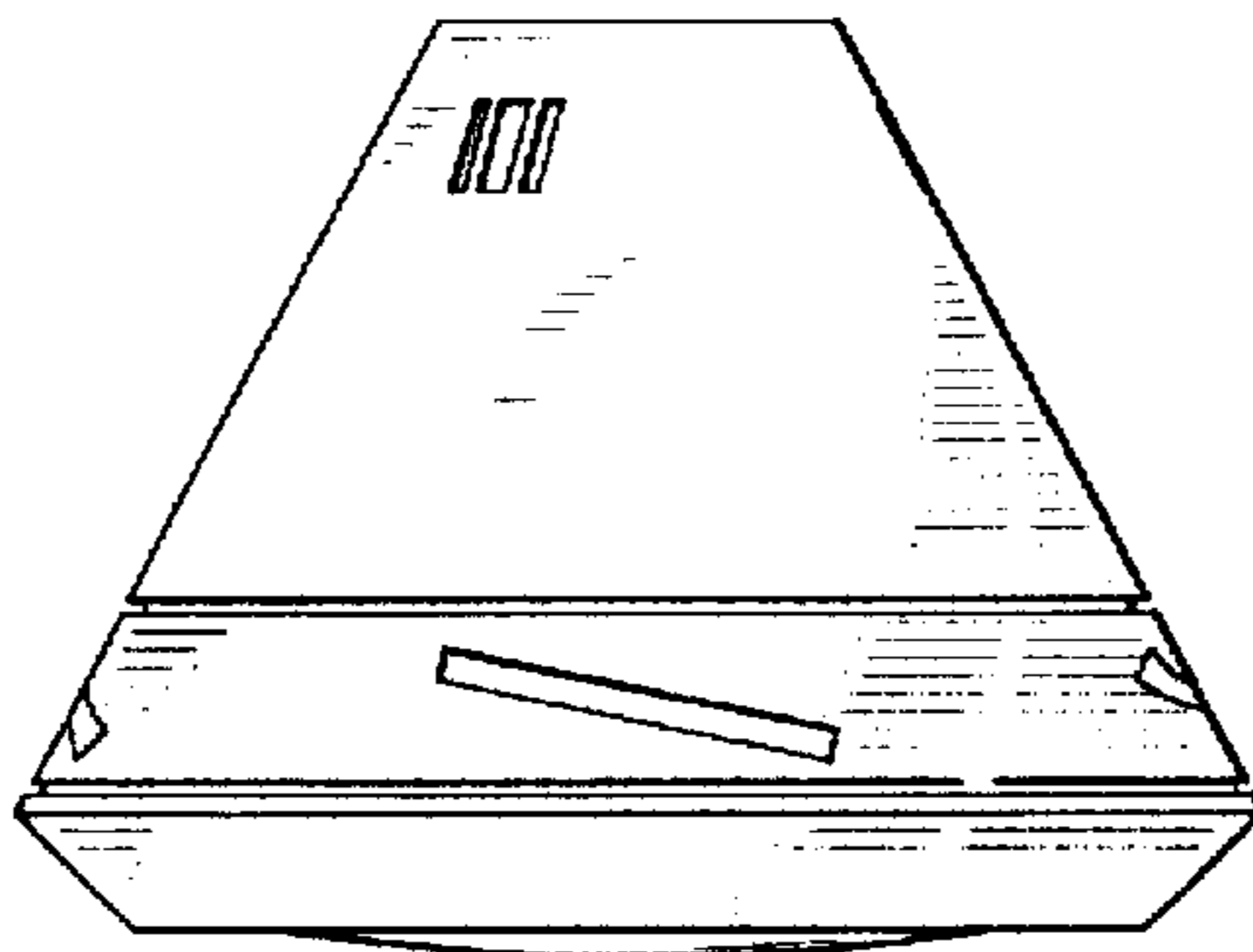
U.S. PATENT DOCUMENTS

- D. 331,101 11/1992 Rezek D23/377
- D. 347,887 6/1994 Liu D23/377
- 4,782,213 11/1988 Teal 416/5

FOREIGN PATENT DOCUMENTS

- 279799 12/1986 Japan 416/170 R

1 Claim, 5 Drawing Sheets



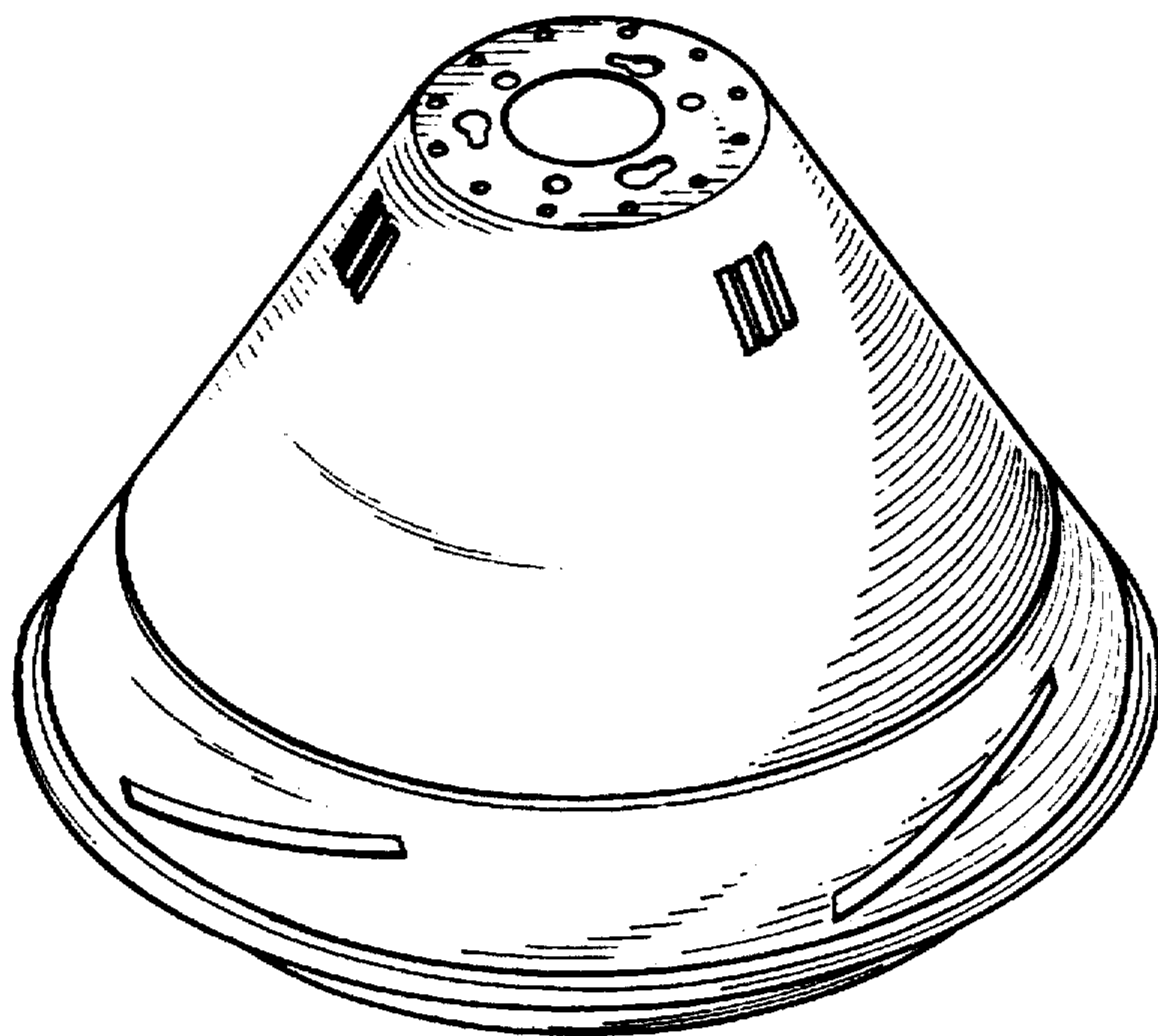


FIG. 1

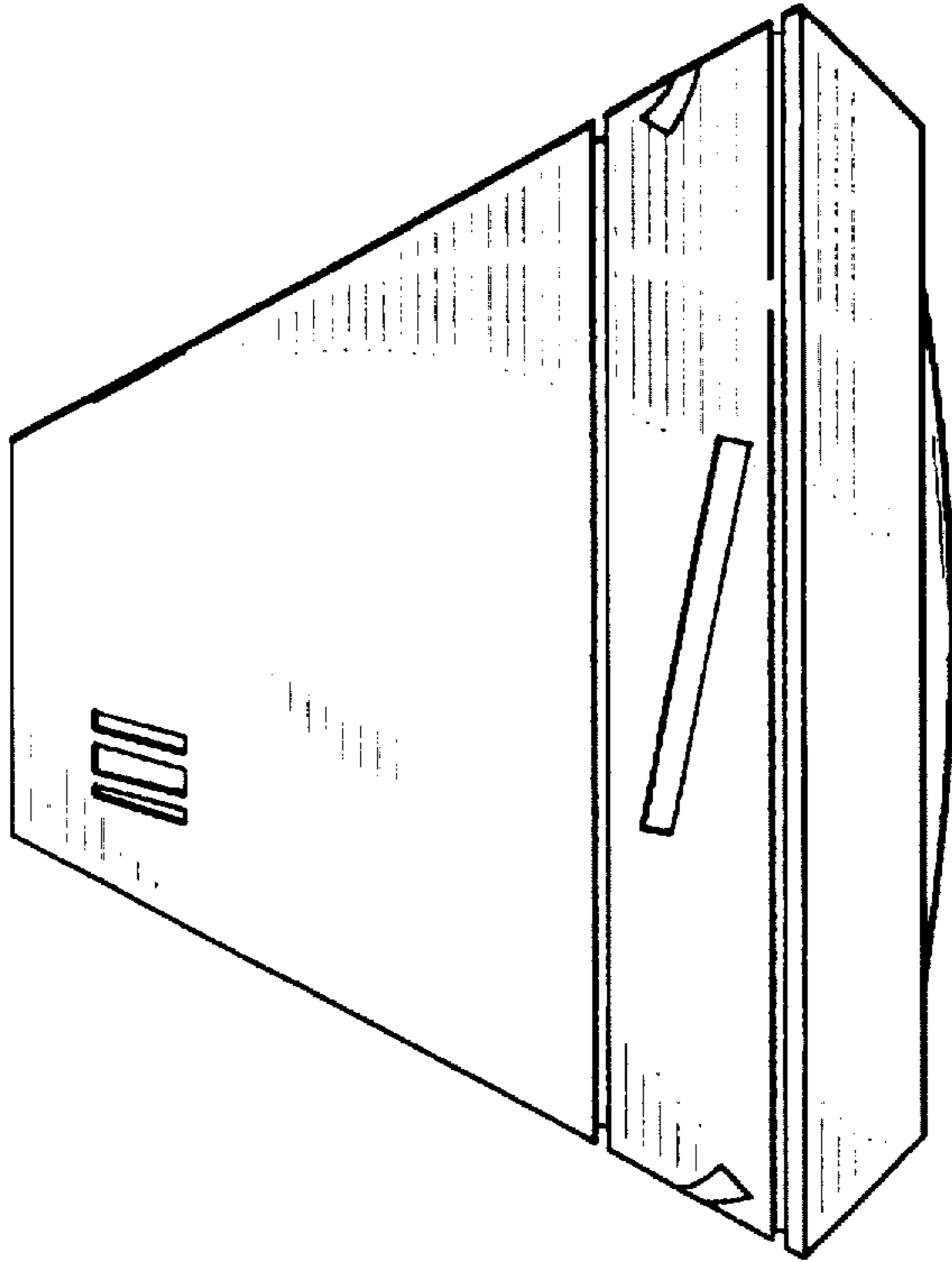


FIG. 3

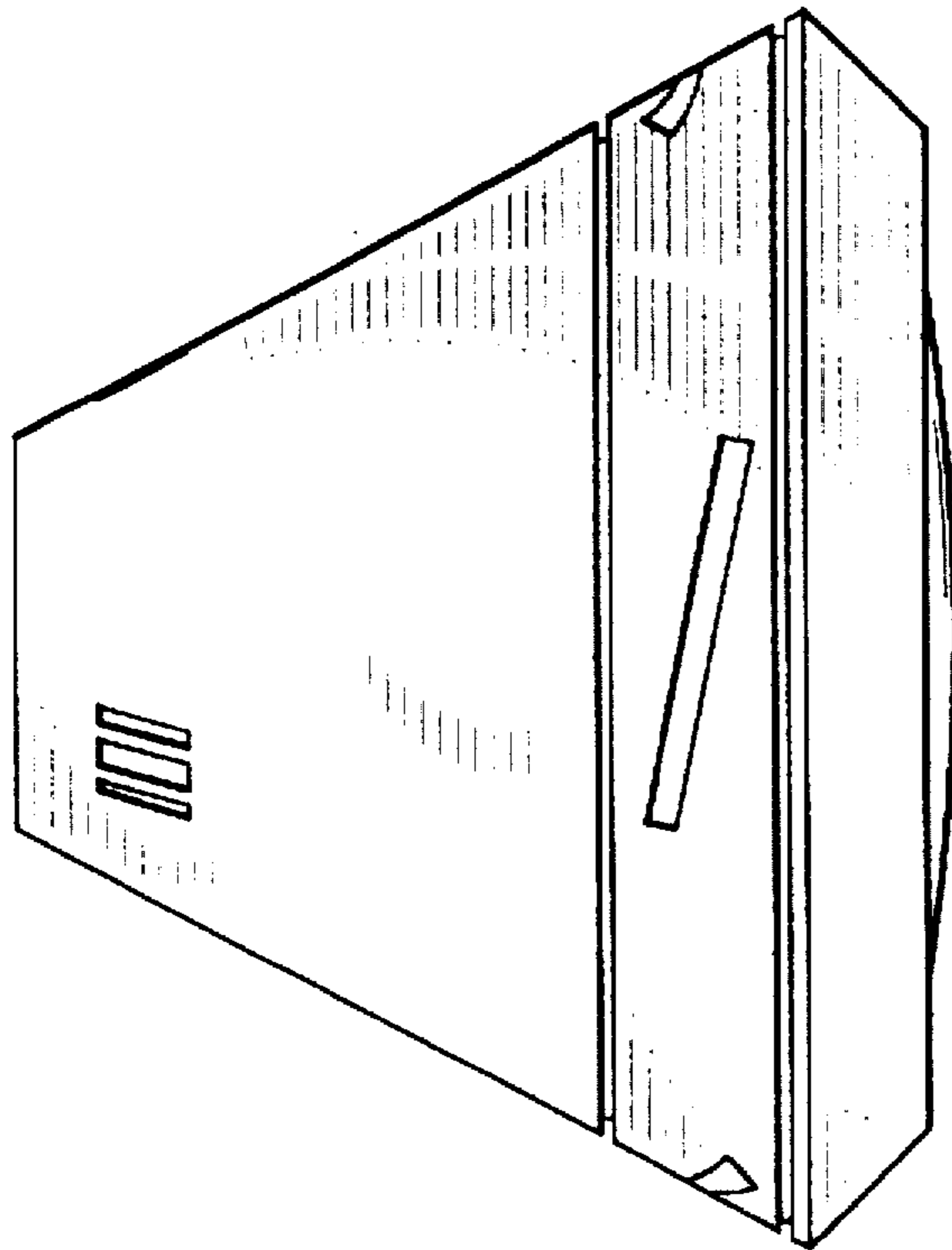


FIG. 2

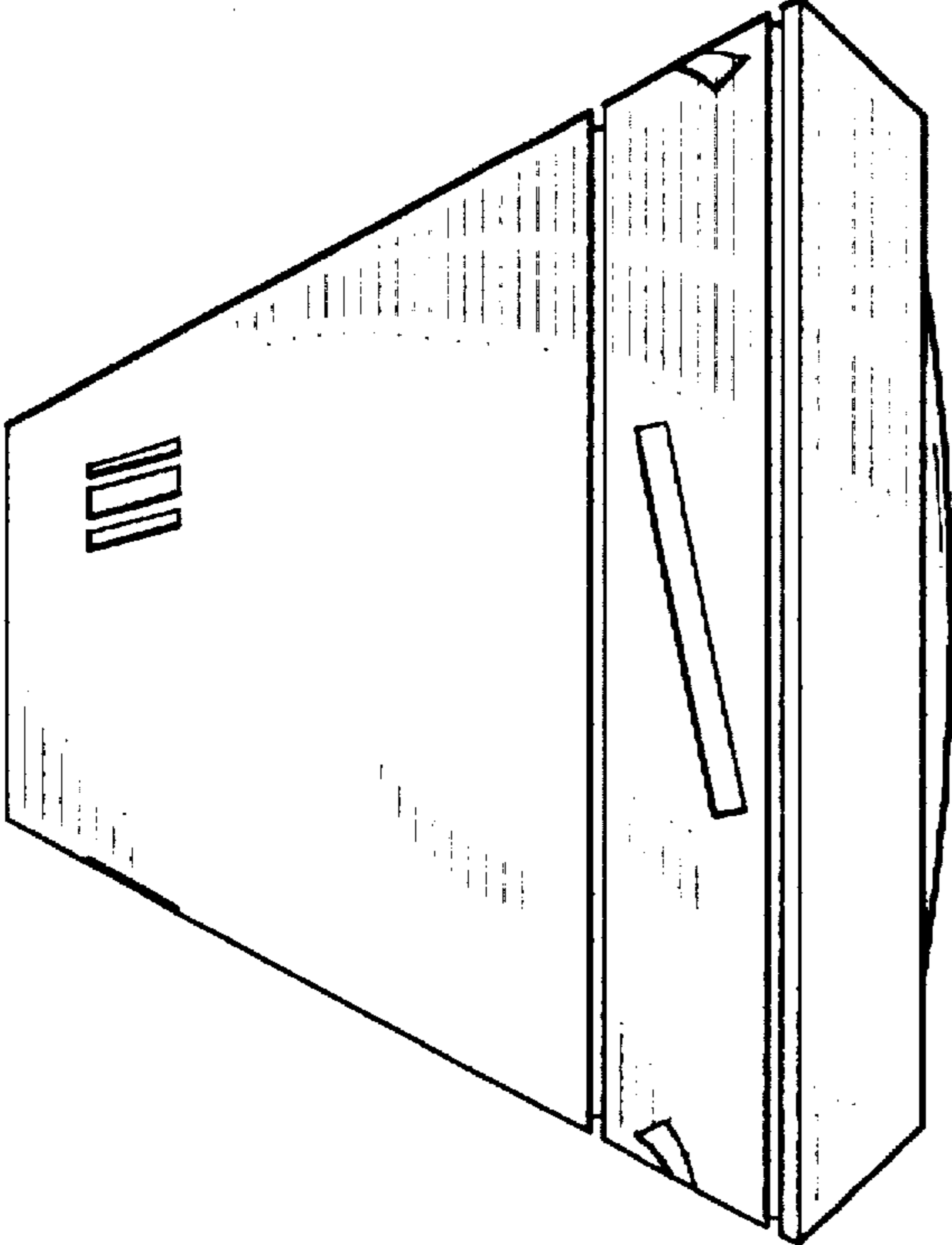


FIG. 5

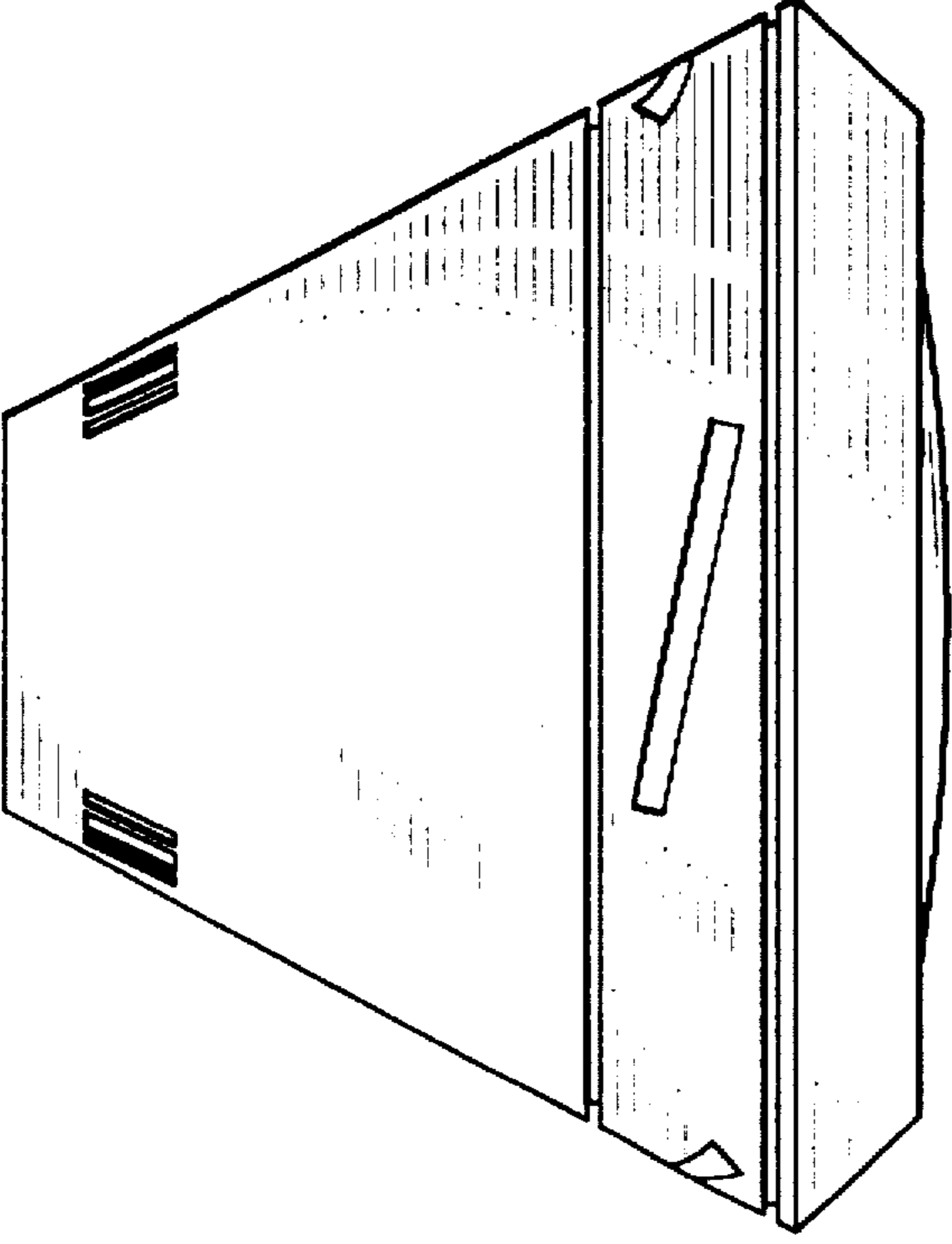


FIG. 4

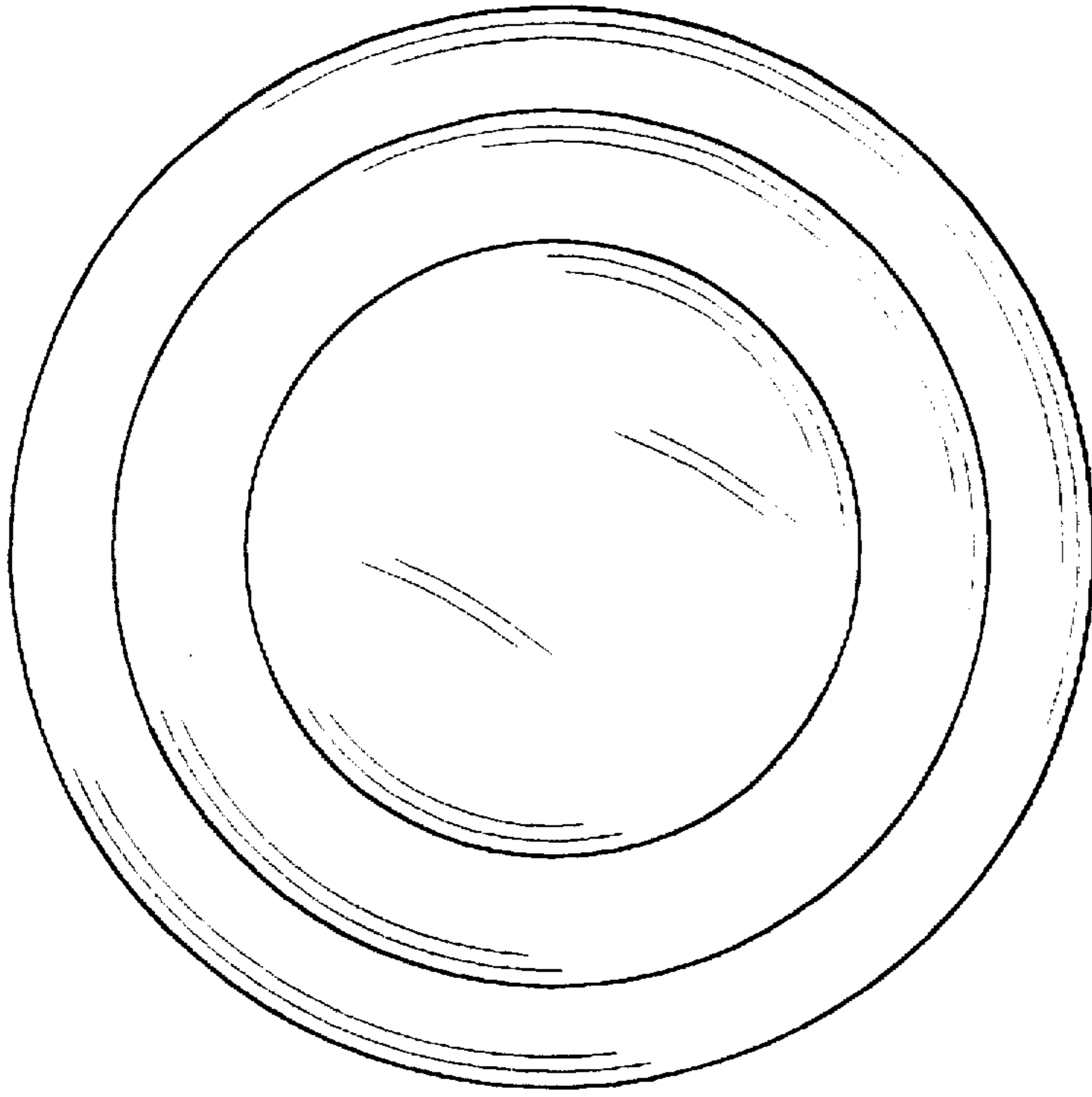


FIG. 7

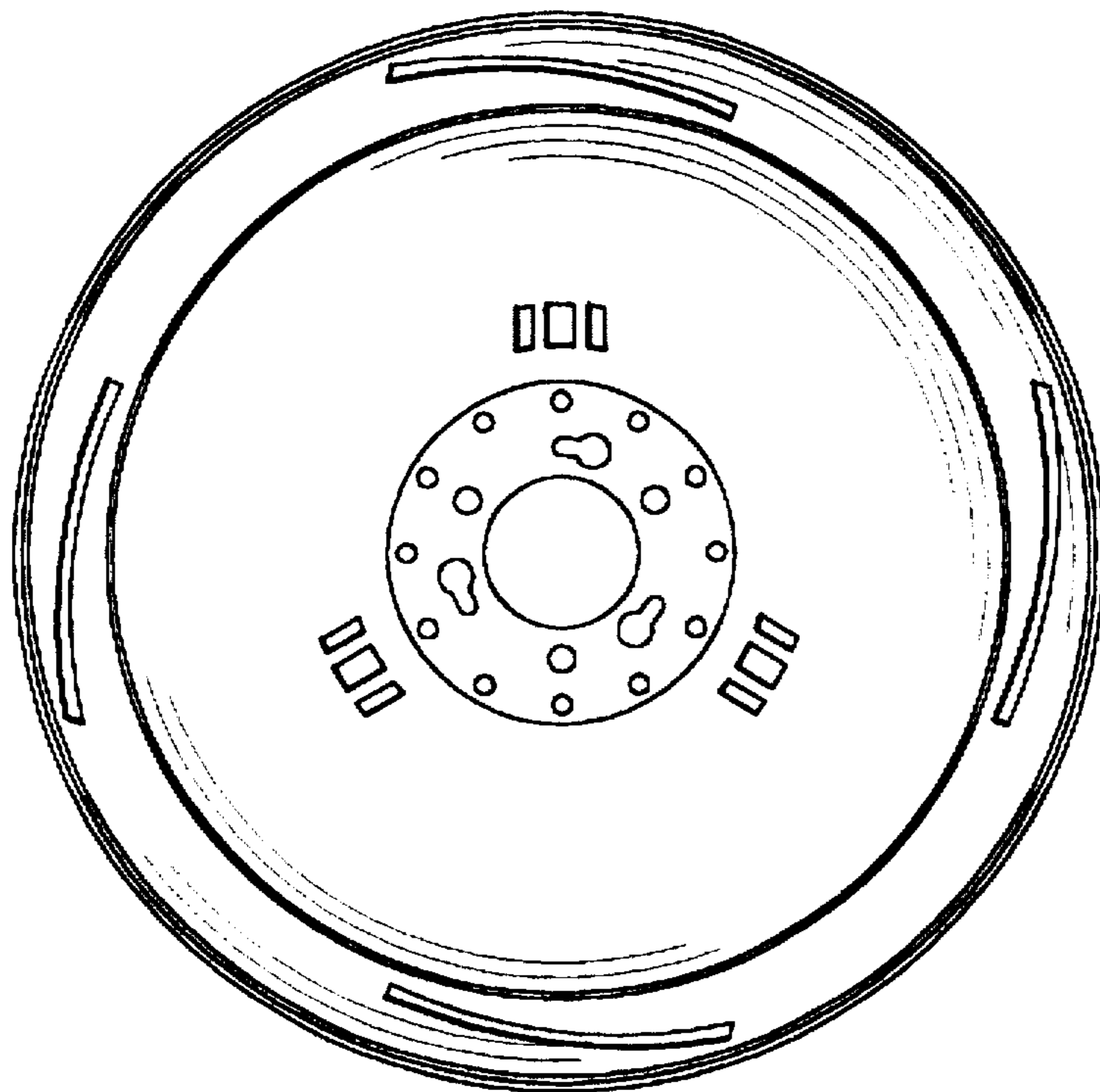


FIG. 6

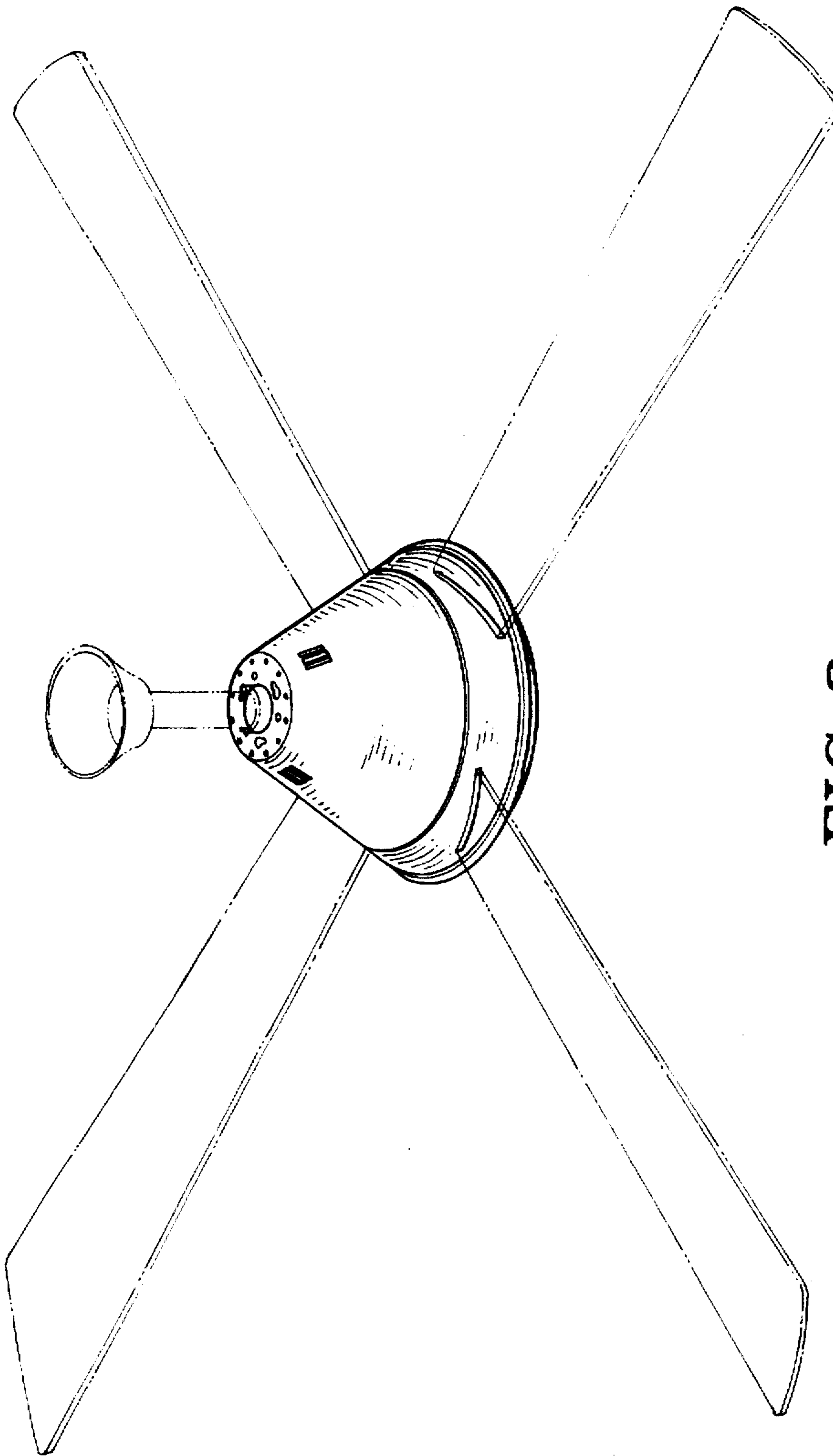


FIG. 8