

US00D394102S

United States Patent [19]

Gee, II et al.

[11] Patent Number: **Des. 394,102**

[45] Date of Patent: ****May 5, 1998**

[54] **COMBINED CEILING FAN MOTOR HOUSING, SWITCH HOUSING, AND BLADE IRONS UNIT**

[75] Inventors: **Jack W. Gee, II**, Memphis; **Masao Tsuji**, Germantown, both of Tenn.

[73] Assignee: **Hunter Fan Company**, Memphis, Tenn.

[**] Term: **14 Years**

[21] Appl. No.: **58,258**

[22] Filed: **Aug. 9, 1996**

[51] LOC (6) Cl. **23-04**

[52] U.S. Cl. **D23/411; D23/37.7; D23/385**

[58] Field of Search **D23/411, 377, D23/379, 385; 416/5, 210 R; 392/364; 362/96; D26/81-86, 88, 59, 51, 72**

[56] **References Cited**

U.S. PATENT DOCUMENTS

- D. 358,877 5/1995 Tsuji D23/377
- D. 369,405 4/1996 Holbrook D23/377

D. 377,976 2/1997 Jaspers-Fayer D23/377

Primary Examiner—Lisa Lichtenstein
Attorney, Agent, or Firm—Baker, Donelson, Bearman & Caldwell

[57] **CLAIM**

The ornamental design for a combined ceiling fan motor housing, switch housing, and blade irons unit, as shown and described.

DESCRIPTION

FIG. 1 is a perspective view of a combined ceiling fan motor housing, switch housing and blade irons unit, showing our new design;

FIG. 2 is an additional perspective view showing environmental structure, the broken lines forming no part of the design;

FIG. 3 is a front elevational view thereof;

FIG. 4 is a right side elevational view thereof;

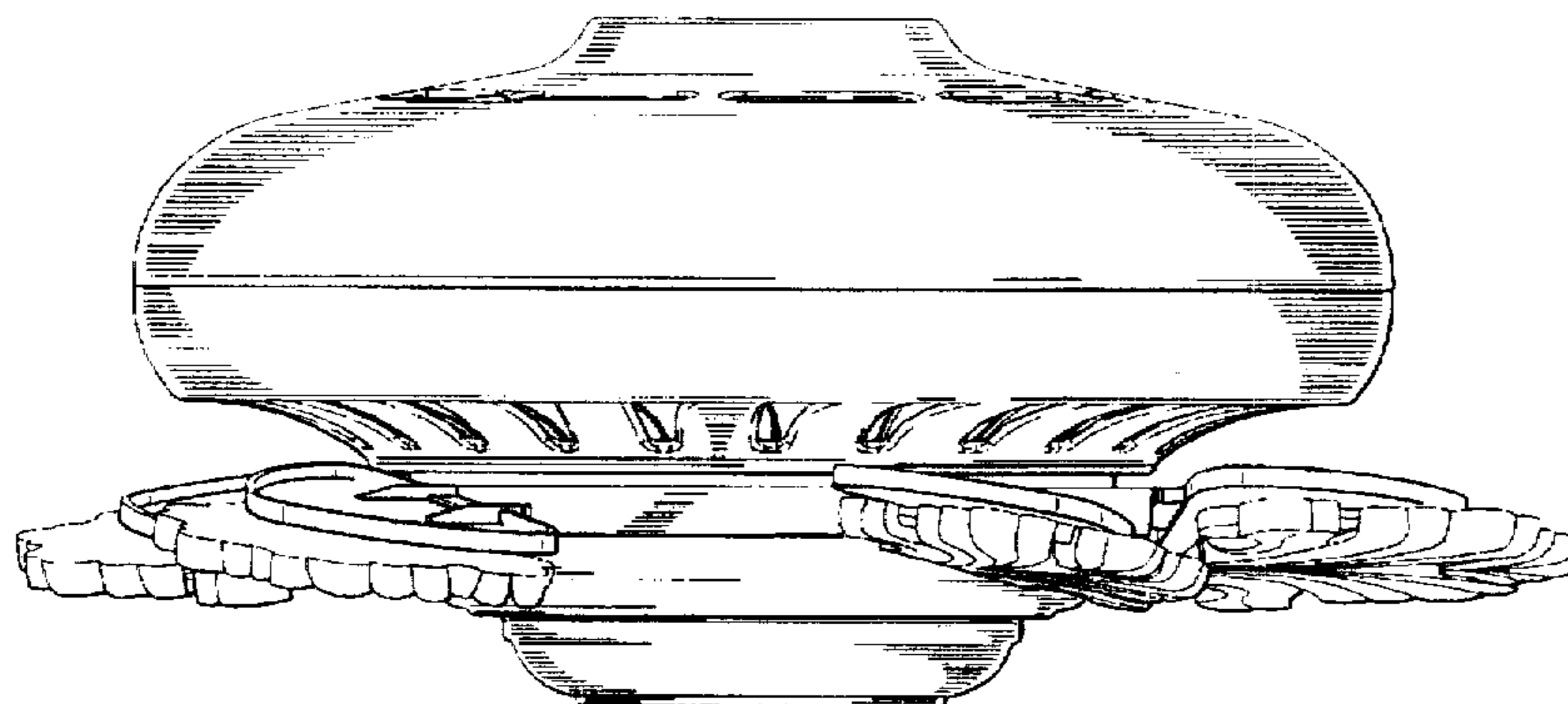
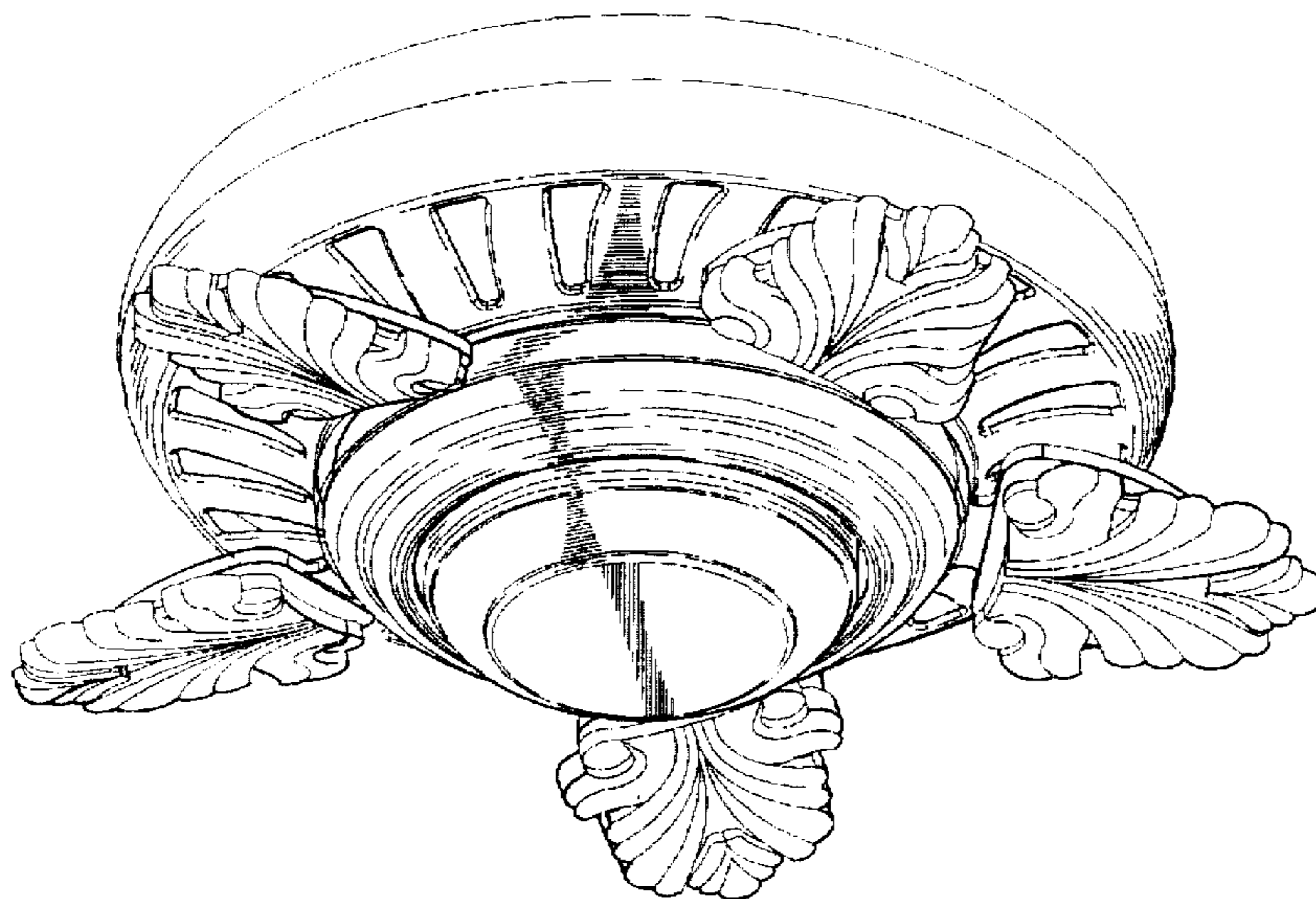
FIG. 5 is a rear elevational view thereof;

FIG. 6 is a left side elevational view thereof;

FIG. 7 is a bottom view thereof; and,

FIG. 8 is a top view thereof.

1 Claim, 8 Drawing Sheets



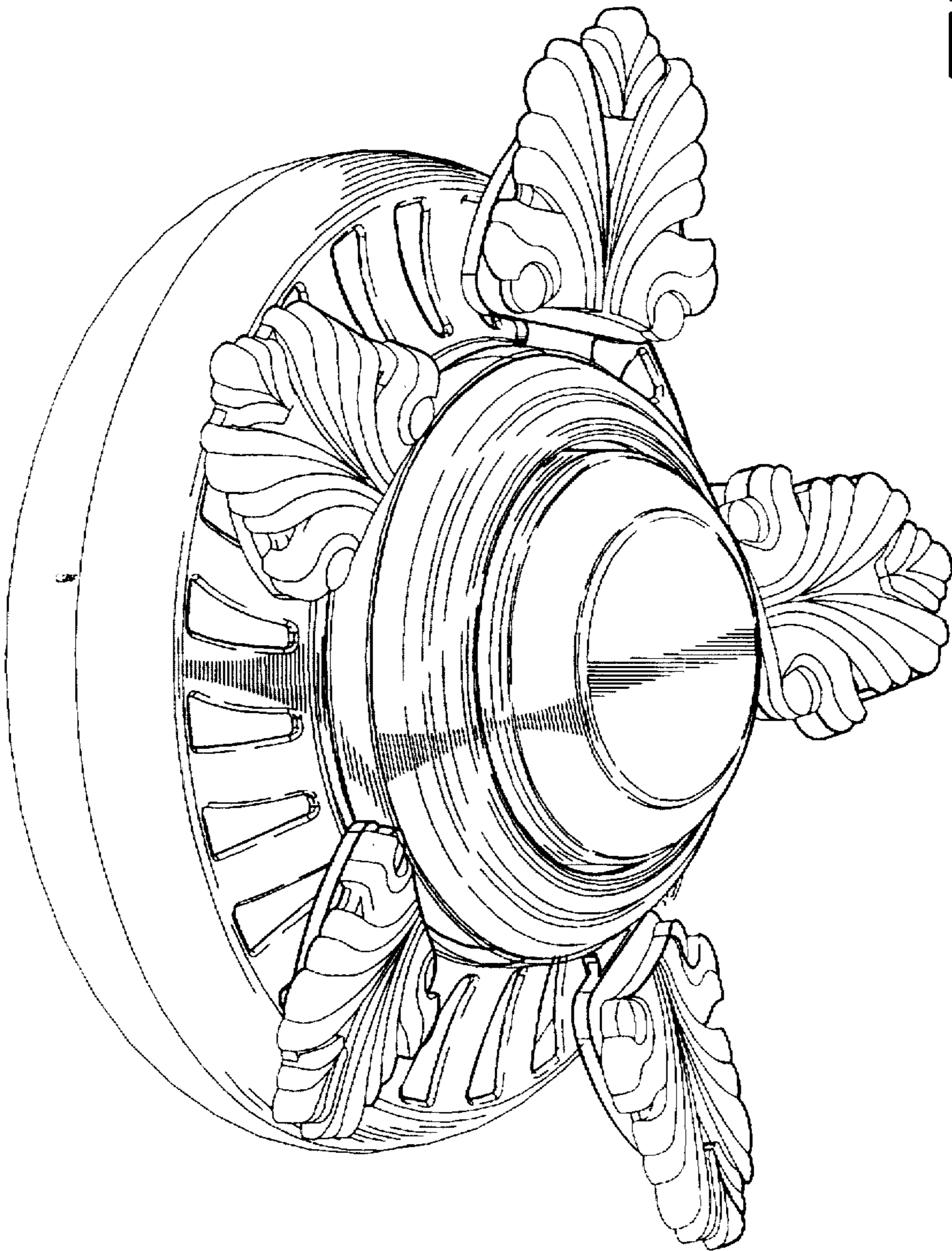


FIG 1

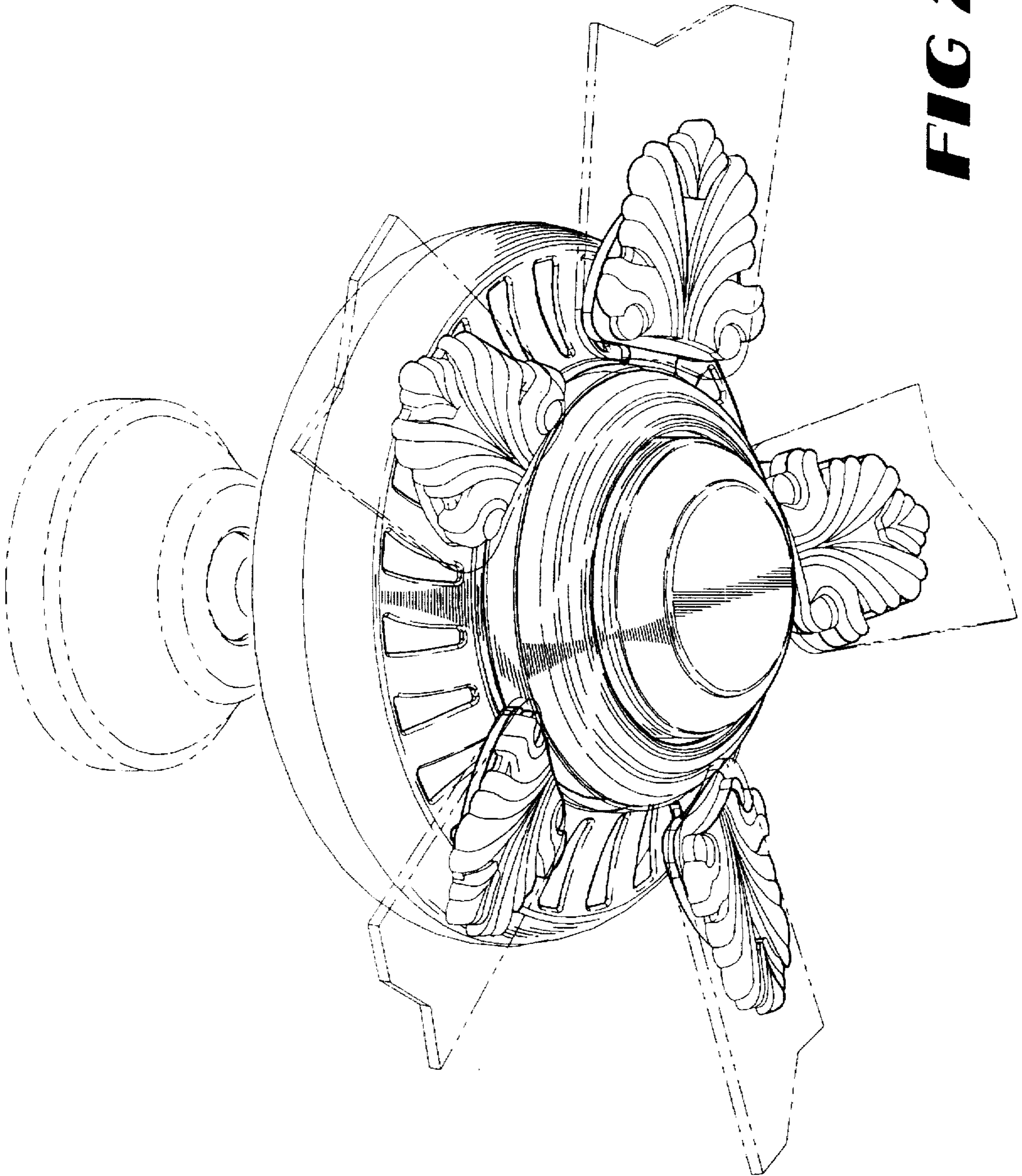


FIG 2

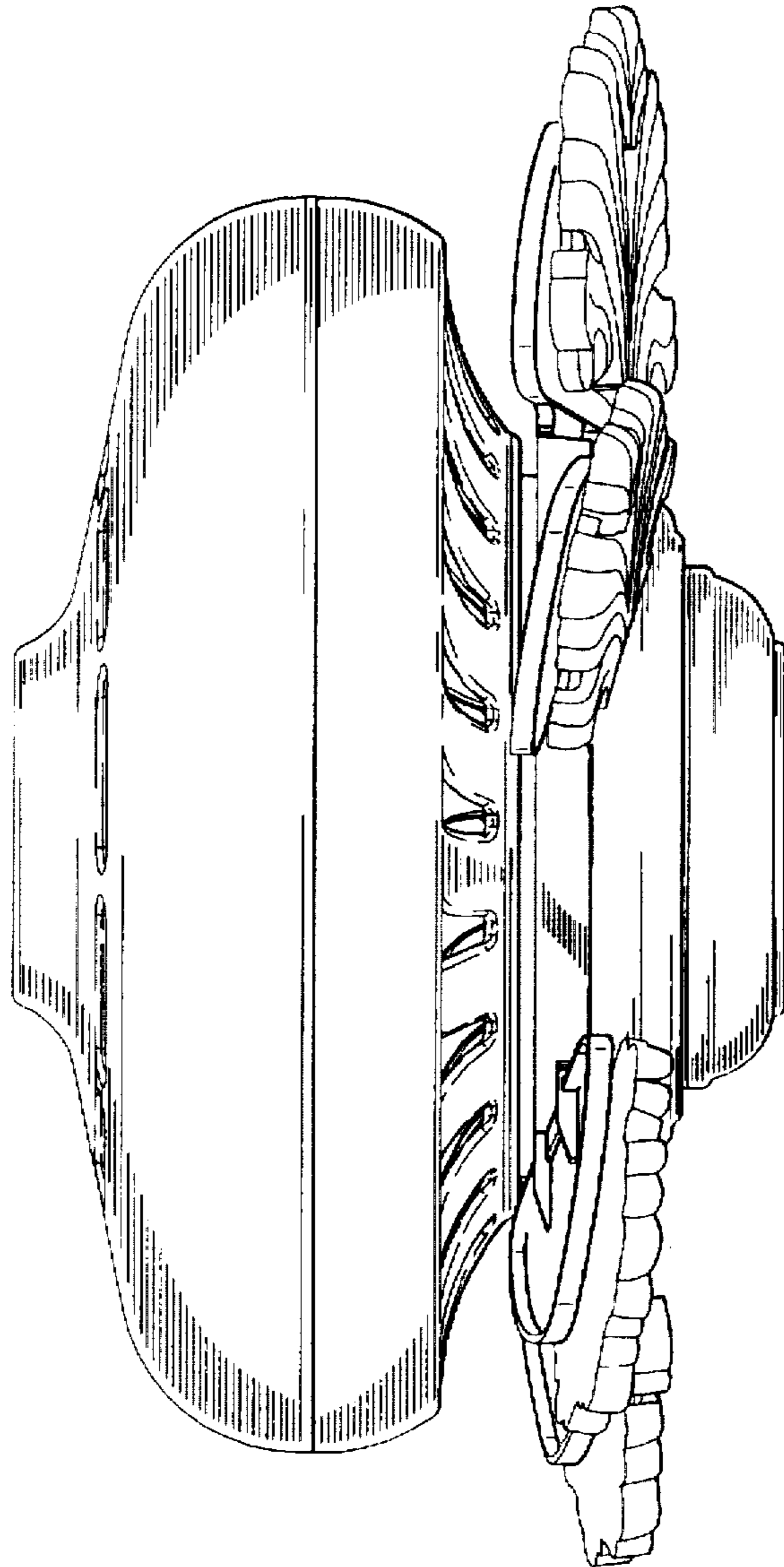


FIG 3

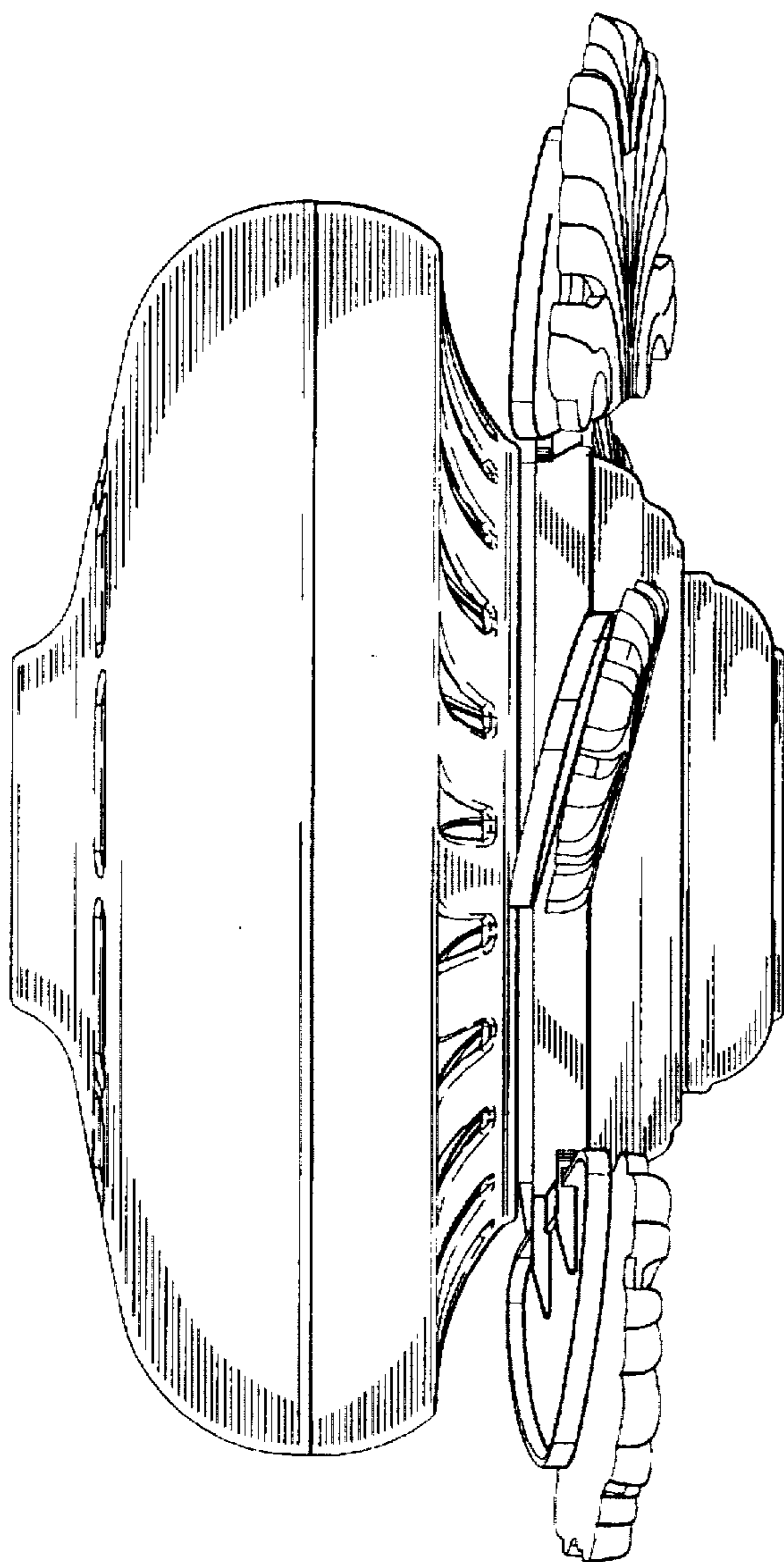


FIG 4

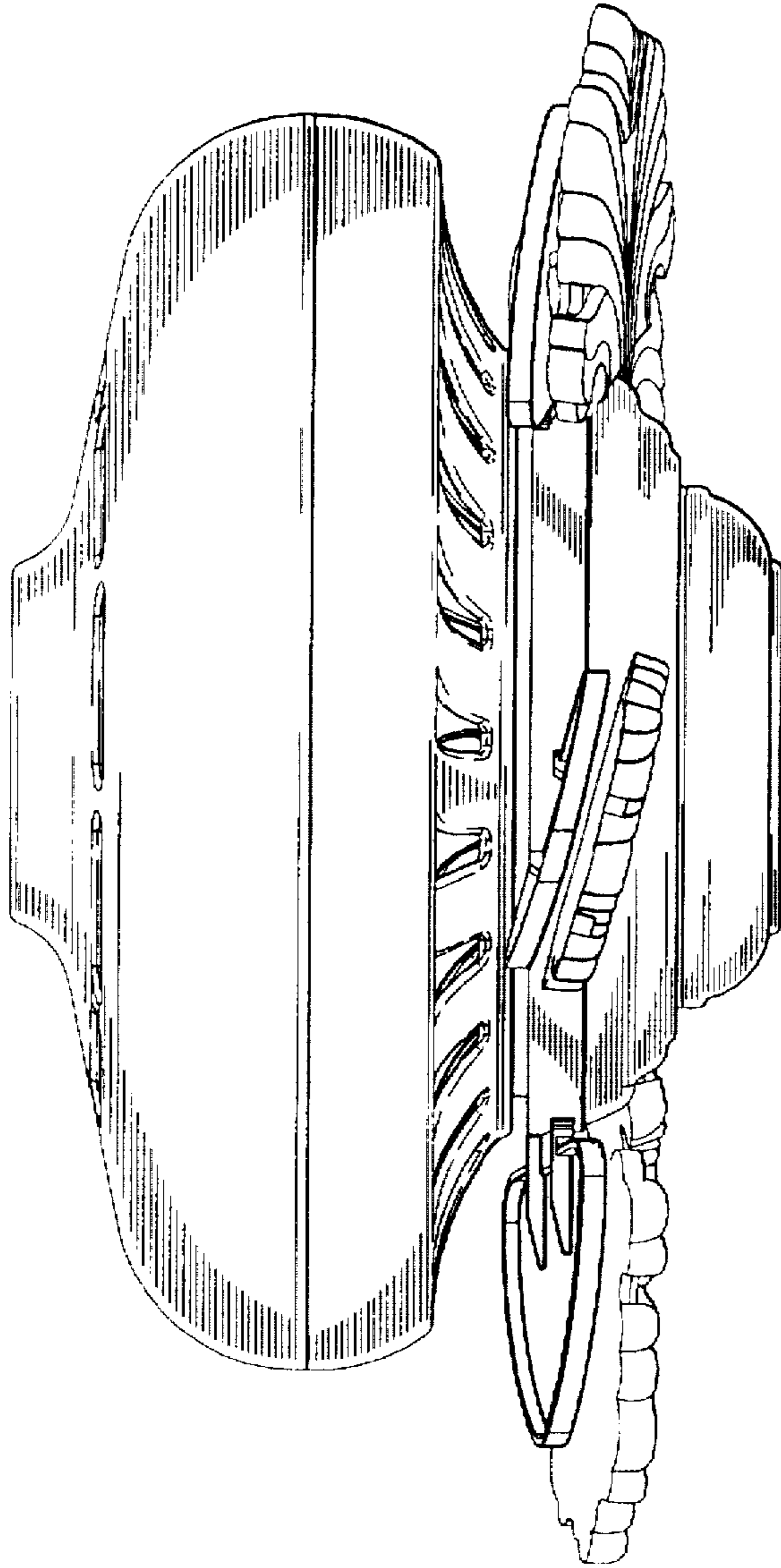


FIG 5

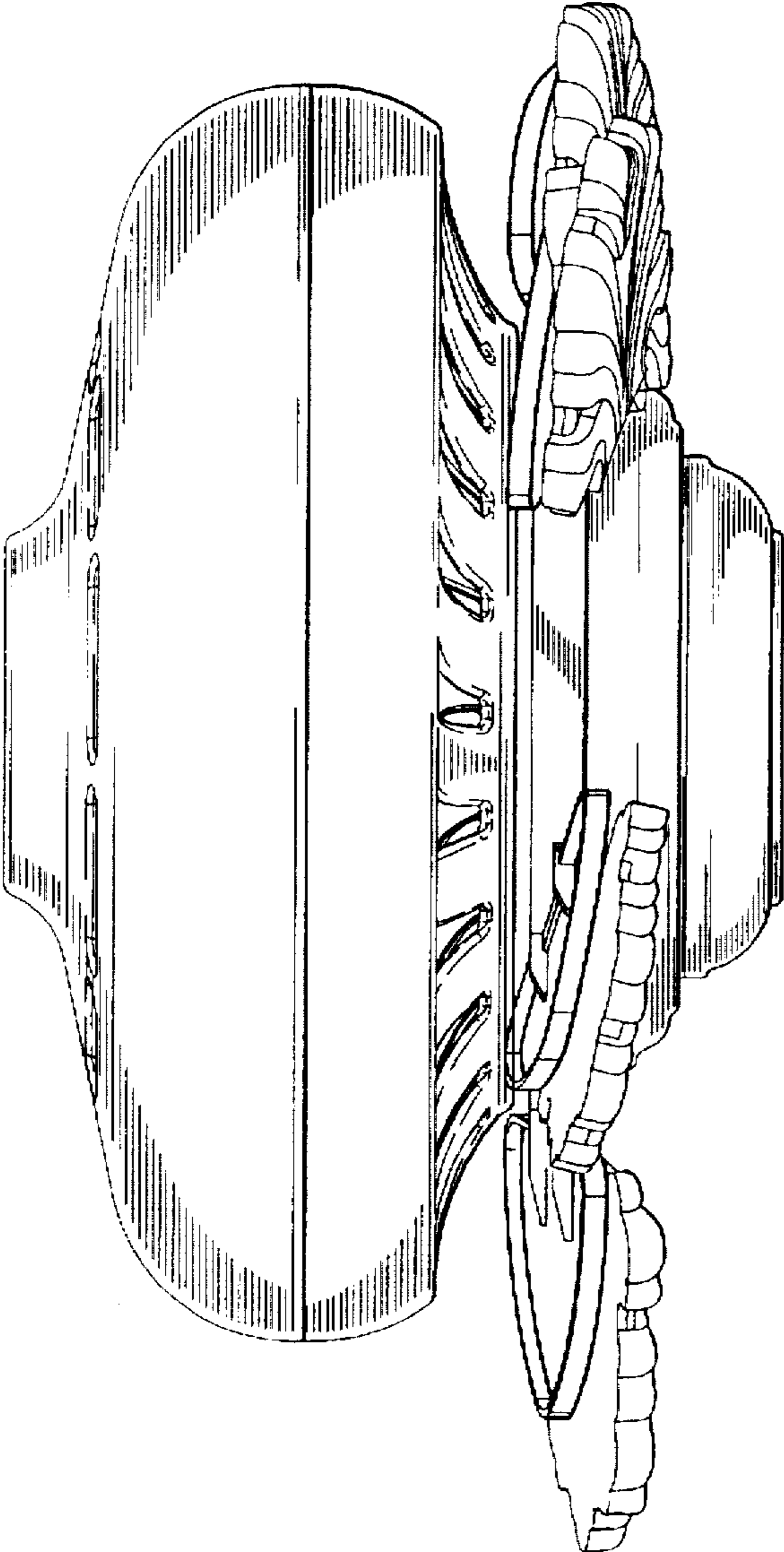


FIG 6

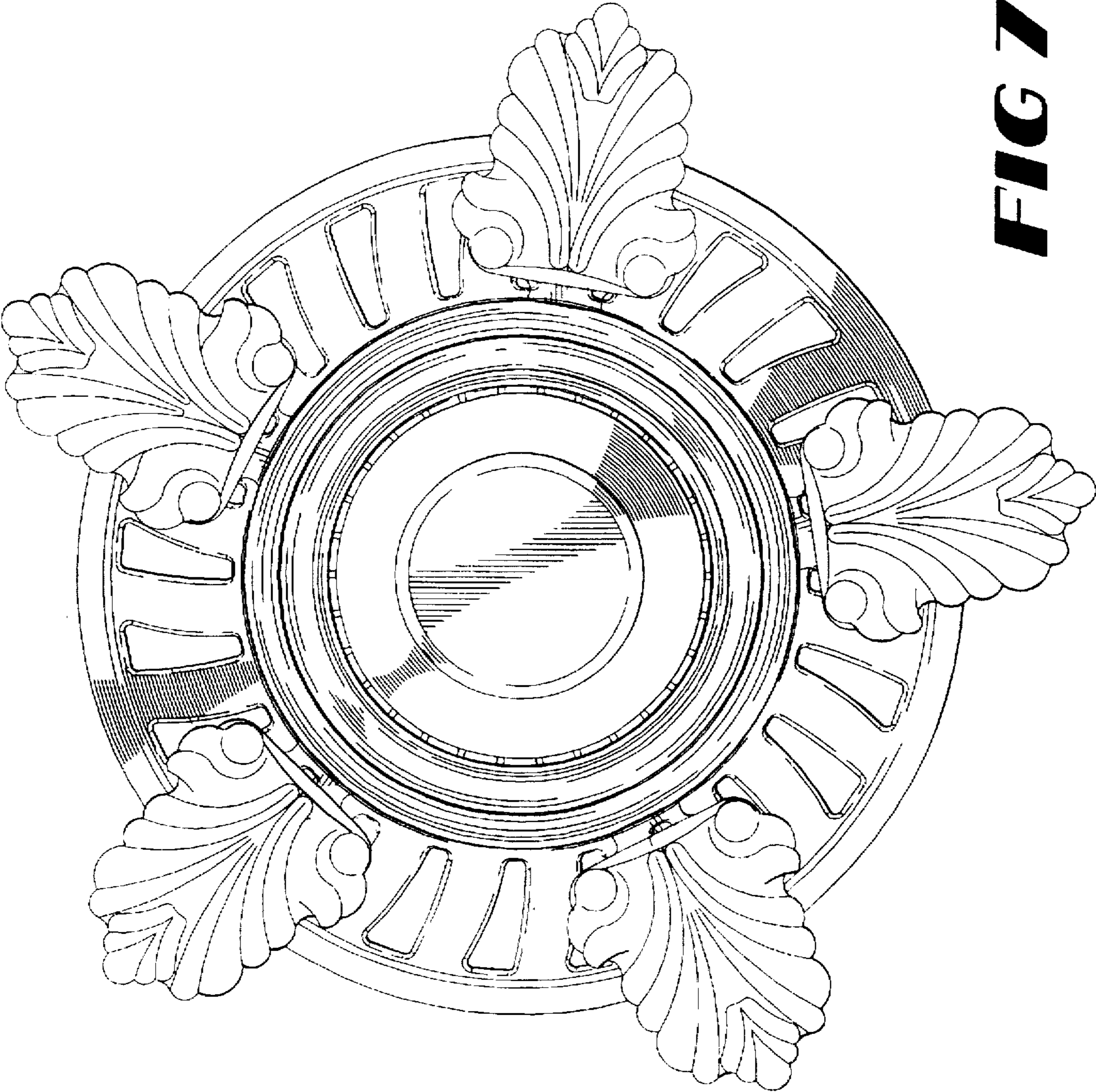


FIG 7

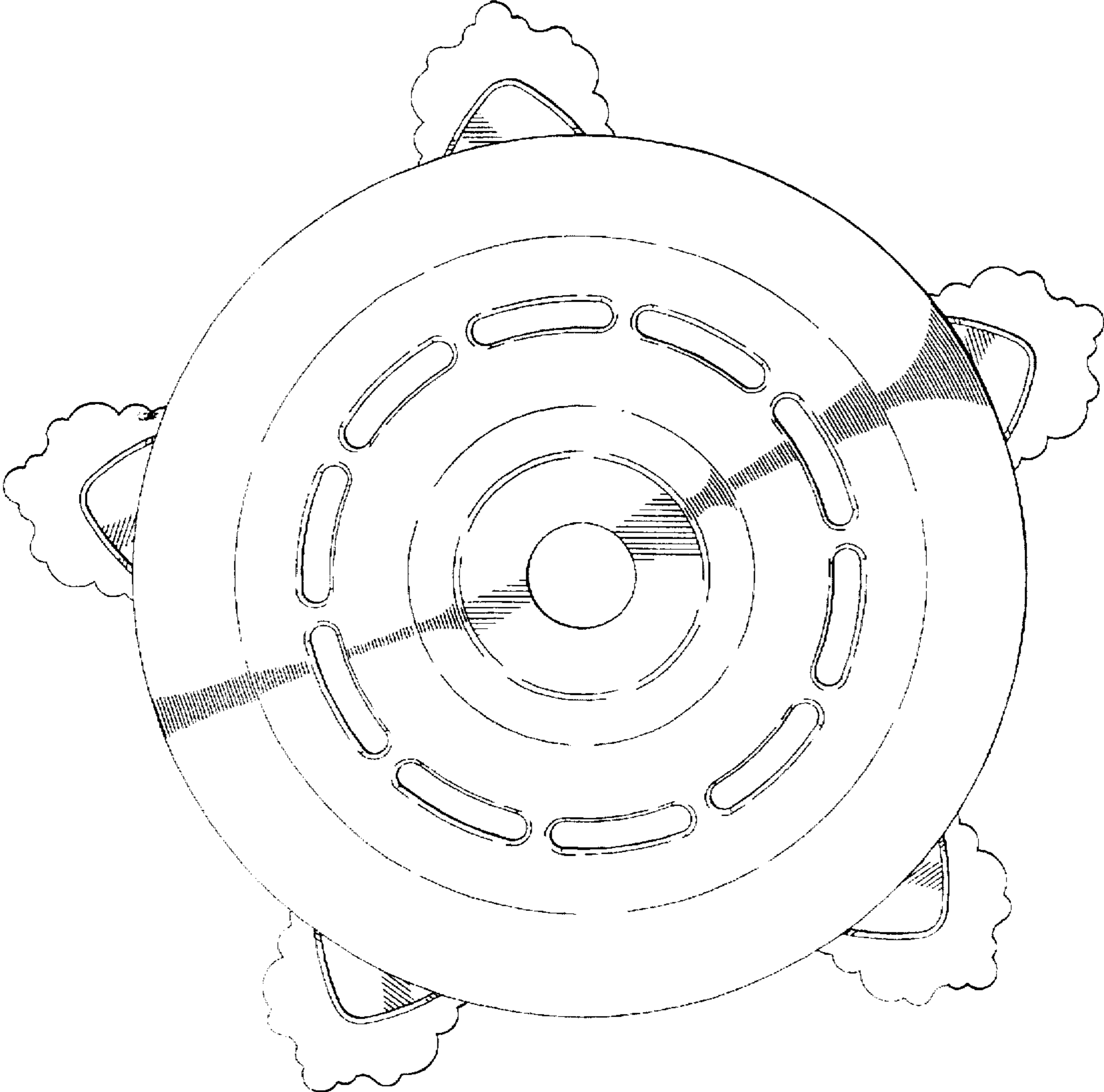


FIG 8