

US00D394099S

United States Patent [19]
Tsuji

[11] **Patent Number: Des. 394,099**

[45] **Date of Patent: **May 5, 1998**

[54] **HUMIDIFIER**

D. 375,349 11/1996 Gonzales D23/358

[75] **Inventor: Masao Tsuji, Germantown, Tenn.**

Primary Examiner—Lisa Lichtenstein

[73] **Assignee: Hunter Fan Company, Memphis, Tenn.**

Attorney, Agent, or Firm—Baker, Donelson, Bearman & Caldwell

[**] **Term: 14 Years**

[57] **CLAIM**

The ornamental design for a humidifier, as shown.

[21] **Appl. No.: 64,680**

DESCRIPTION

[22] **Filed: Jan. 8, 1997**

[51] **LOC (6) Cl. 23-04**

FIG. 1 is a perspective view of a humidifier, showing my new design;

[52] **U.S. Cl. D23/356; D23/358**

FIG. 2 is a right-side view of the humidifier shown in FIG. 1, the left-side view being a mirror image thereof;

[58] **Field of Search D23/356-363; 392/403, 405, 406, 394; 261/107, 104; 422/120, 123**

FIG. 3 is a front view thereof;

FIG. 4 is a rear view thereof;

FIG. 5 is a top view thereof; and,

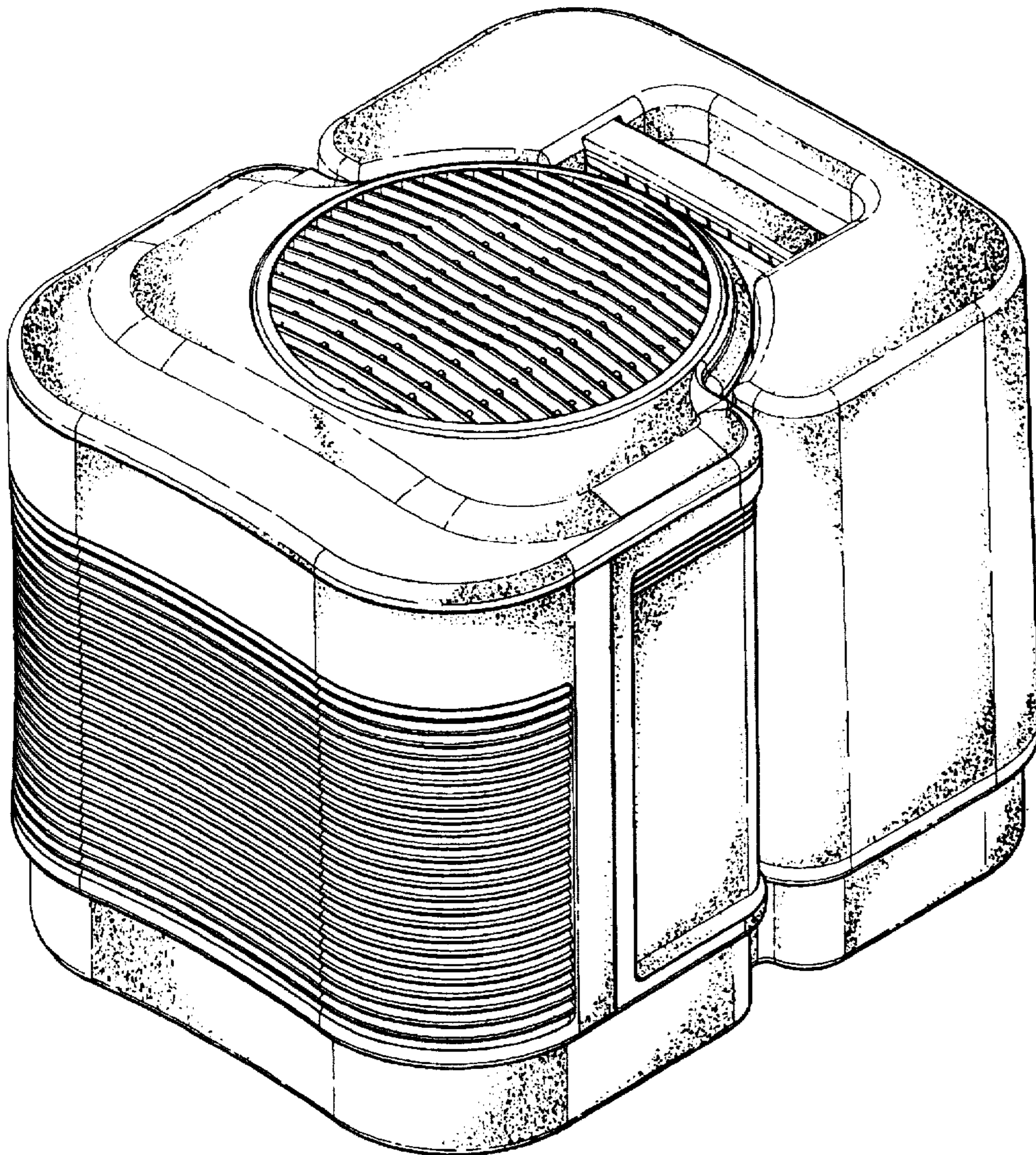
FIG. 6 is a bottom view thereof.

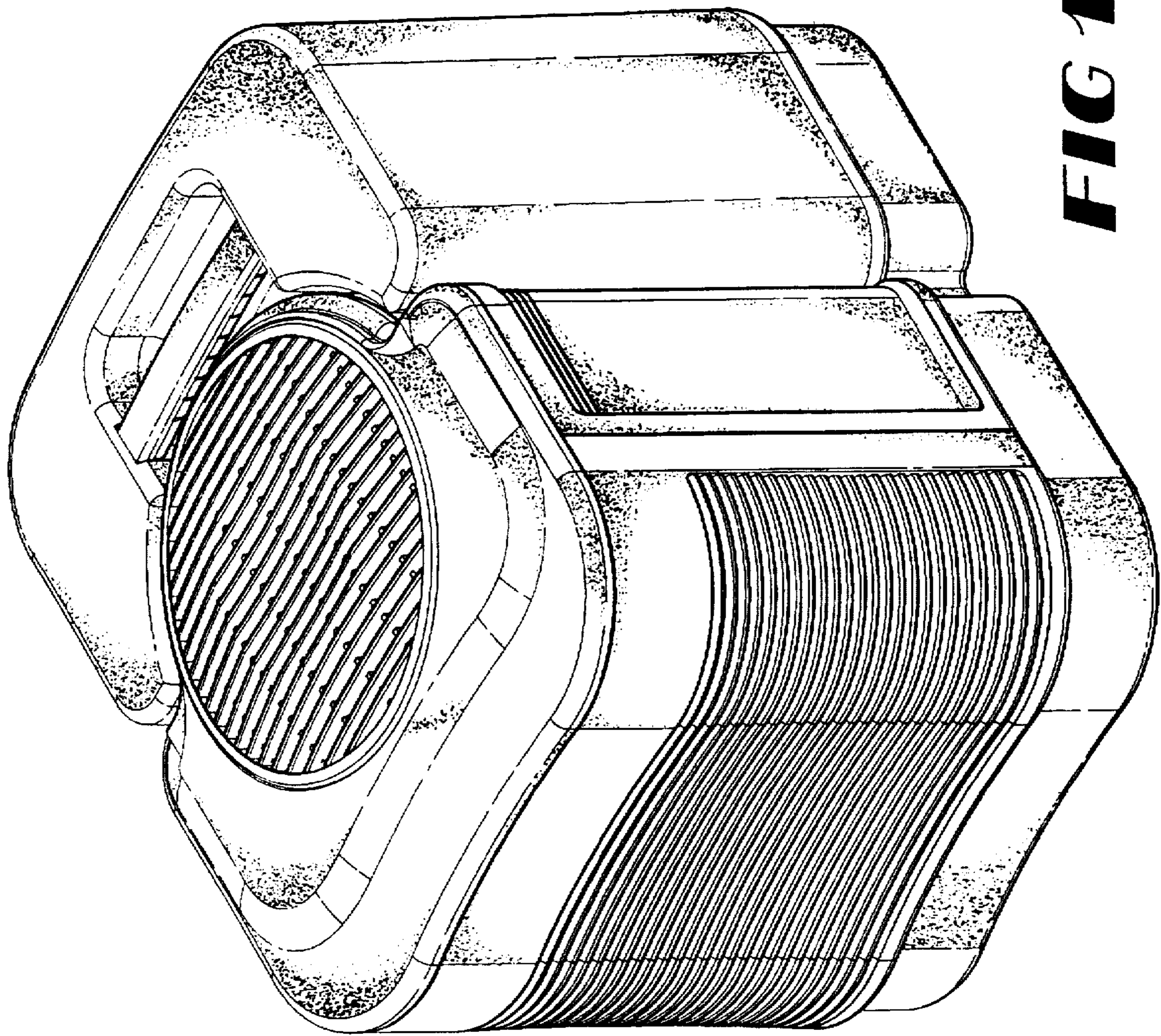
[56] **References Cited**

U.S. PATENT DOCUMENTS

D. 330,074 10/1992 Wang et al. D23/356

1 Claim, 6 Drawing Sheets





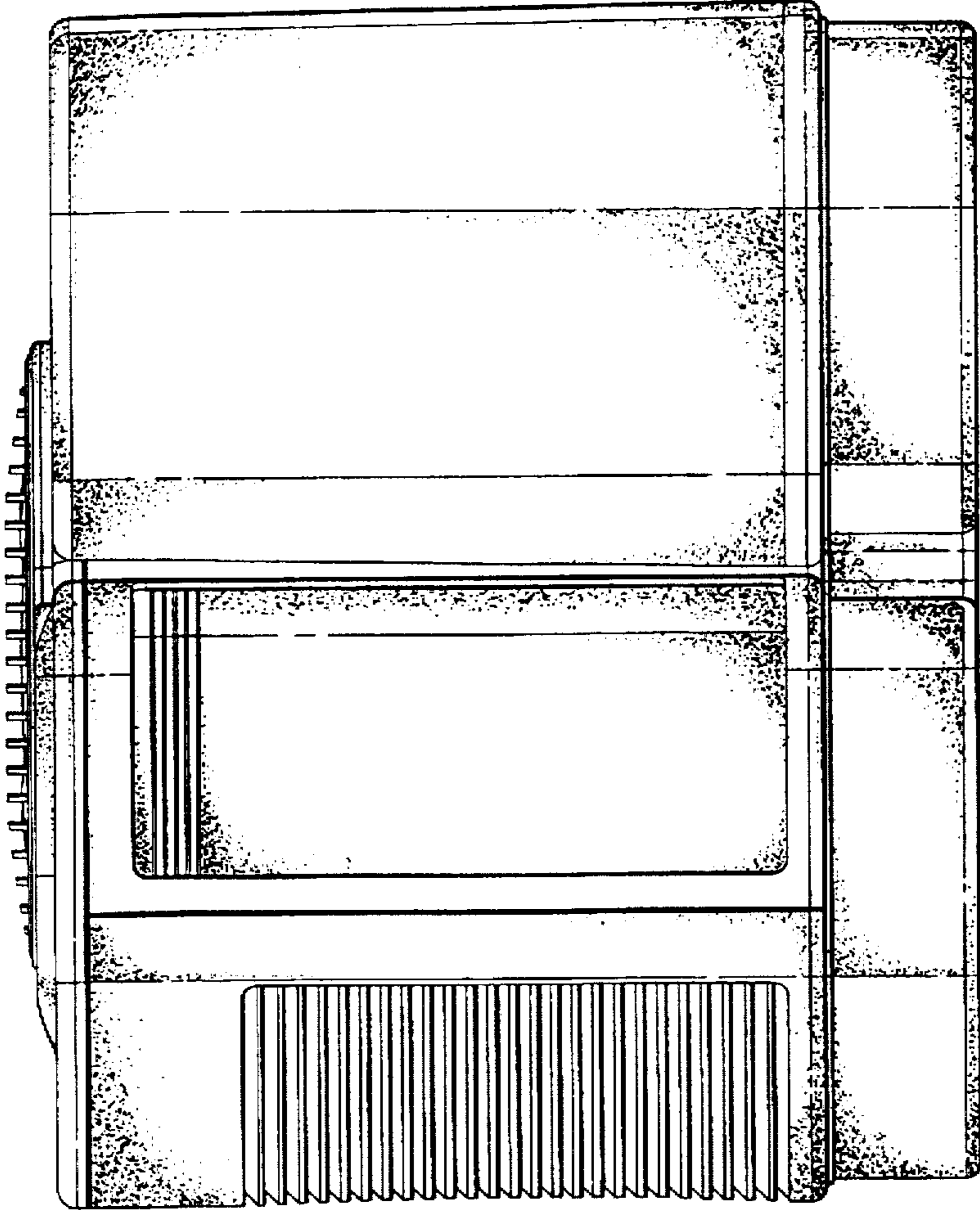


FIG 2

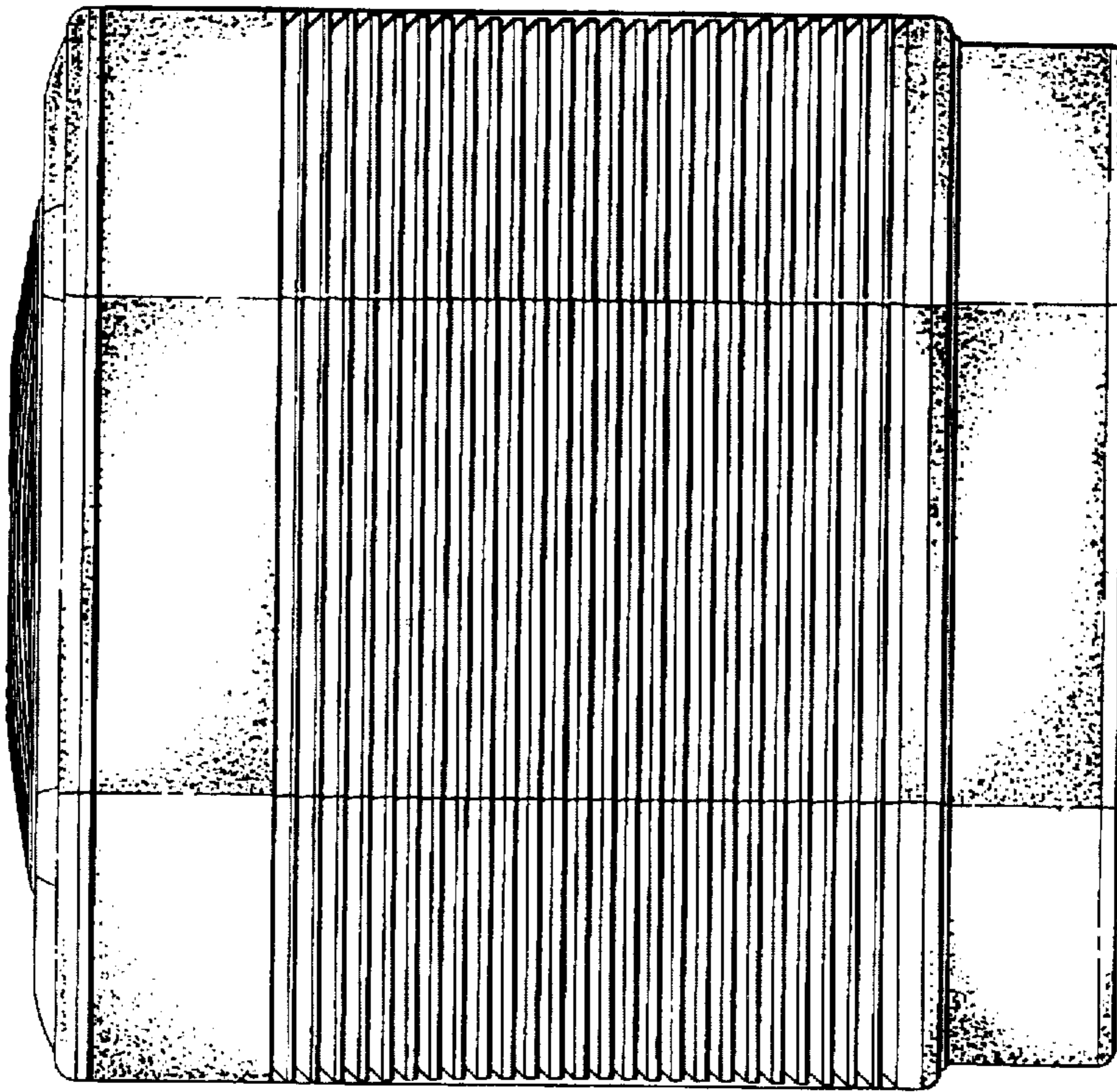


FIG 3

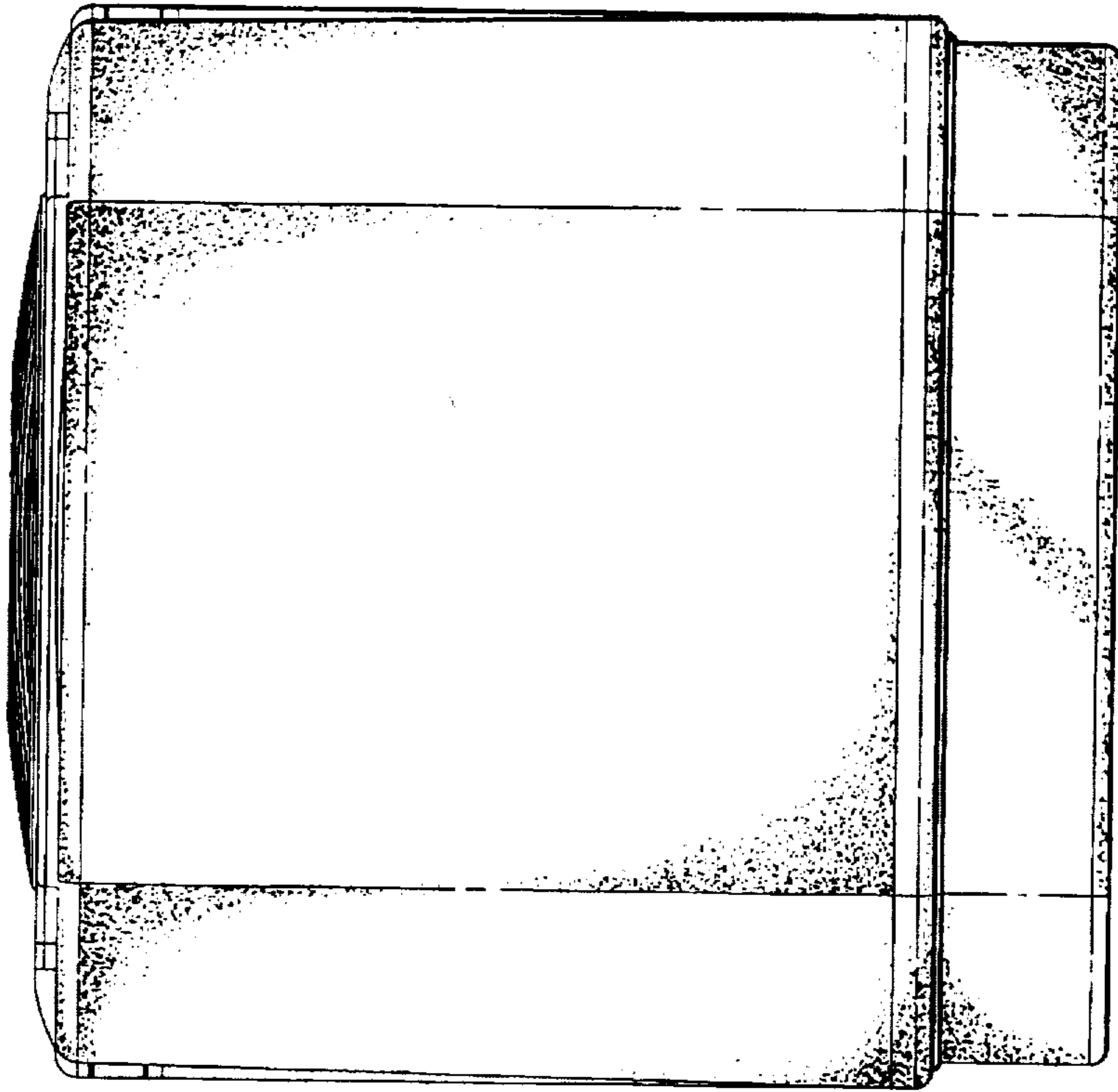


FIG 4

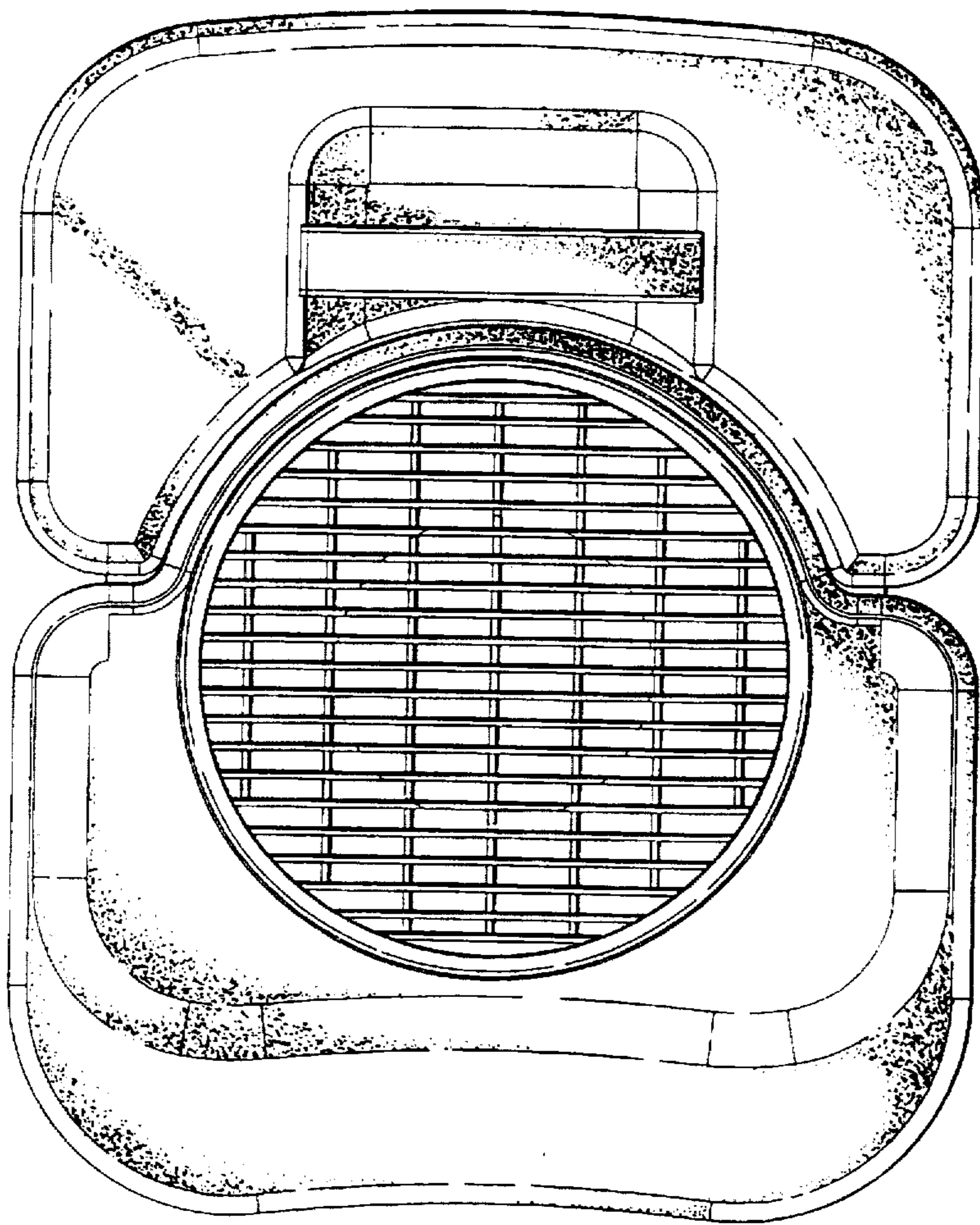


FIG 5

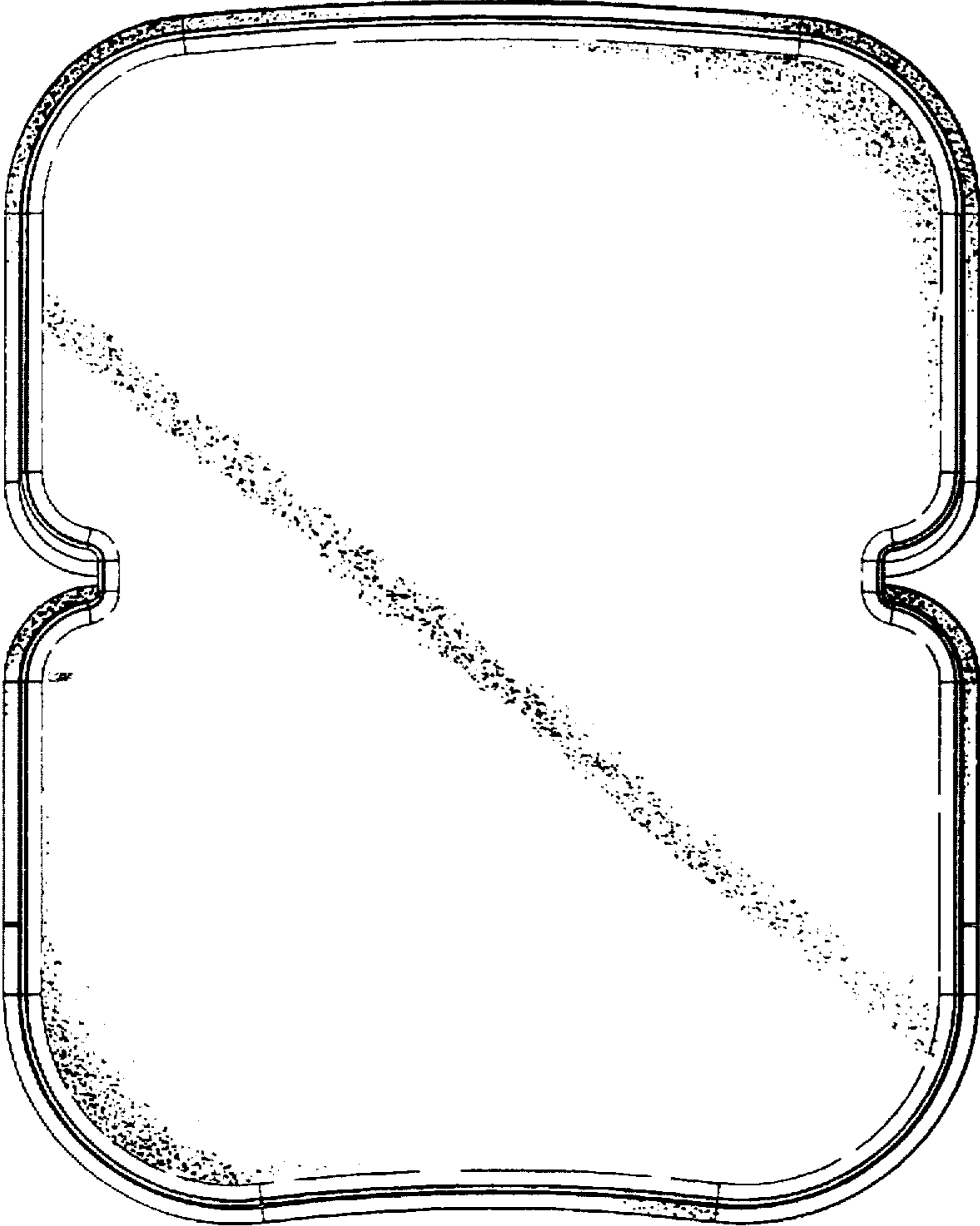


FIG 6