

US00D394089S

United States Patent [19]

Kawasaki et al.

[11] Patent Number: **Des. 394,089**

[45] Date of Patent: ****May 5, 1998**

[54] **DISPLAY DEVICE**

[75] Inventors: **Kazuo Kawasaki**, Nagoya; **Akira Hashimoto**, Machida; **Katsuhiko Hayashi**, Sagamihara; **Akihiko Ishizuka**, Narashino; **Hidefumi Yamaguchi**, Kawasaki; **Takashi Ifuji**, Tokyo, all of Japan

[73] Assignees: **Fujitsu General Limited**; **Fujitsu Limited**, both of Japan

[**] Term: **14 Years**

[21] Appl. No.: **58,528**

[22] Filed: **Aug. 16, 1996**

[30] **Foreign Application Priority Data**

Feb. 19, 1996 [JP] Japan 8-4109

[51] **LOC (6) Cl.** **20-03**

[52] **U.S. Cl.** **D20/10; D14/113**

[58] **Field of Search** 40/546, 564, 605, 40/541, 544, 542, 584, 606; D20/41, 10, 42; D14/113

[56] **References Cited**

U.S. PATENT DOCUMENTS

D. 288,101 2/1987 Rohrer, III D20/10

D. 339,574 9/1993 Althans et al. D14/113
D. 350,555 9/1994 Field et al. D20/10 X
D. 355,649 2/1995 Gale et al. D14/113 X
D. 356,078 3/1995 Usui et al. D14/113 X

Primary Examiner—Susan J. Lucas
Assistant Examiner—Jennifer Register
Attorney, Agent, or Firm—Adams & Wilks

[57] **CLAIM**

The ornamental design for a display device, as shown and described.

DESCRIPTION

FIG. 1 is a front top perspective view of a display device showing our new design;

FIG. 2 is a front elevational view thereof;

FIG. 3 is a right side elevational view thereof;

FIG. 4 is a left side elevational view thereof;

FIG. 5 is a rear elevational view thereof;

FIG. 6 is a top plan view thereof; and,

FIG. 7 is a bottom plan view thereof.

1 Claim, 3 Drawing Sheets

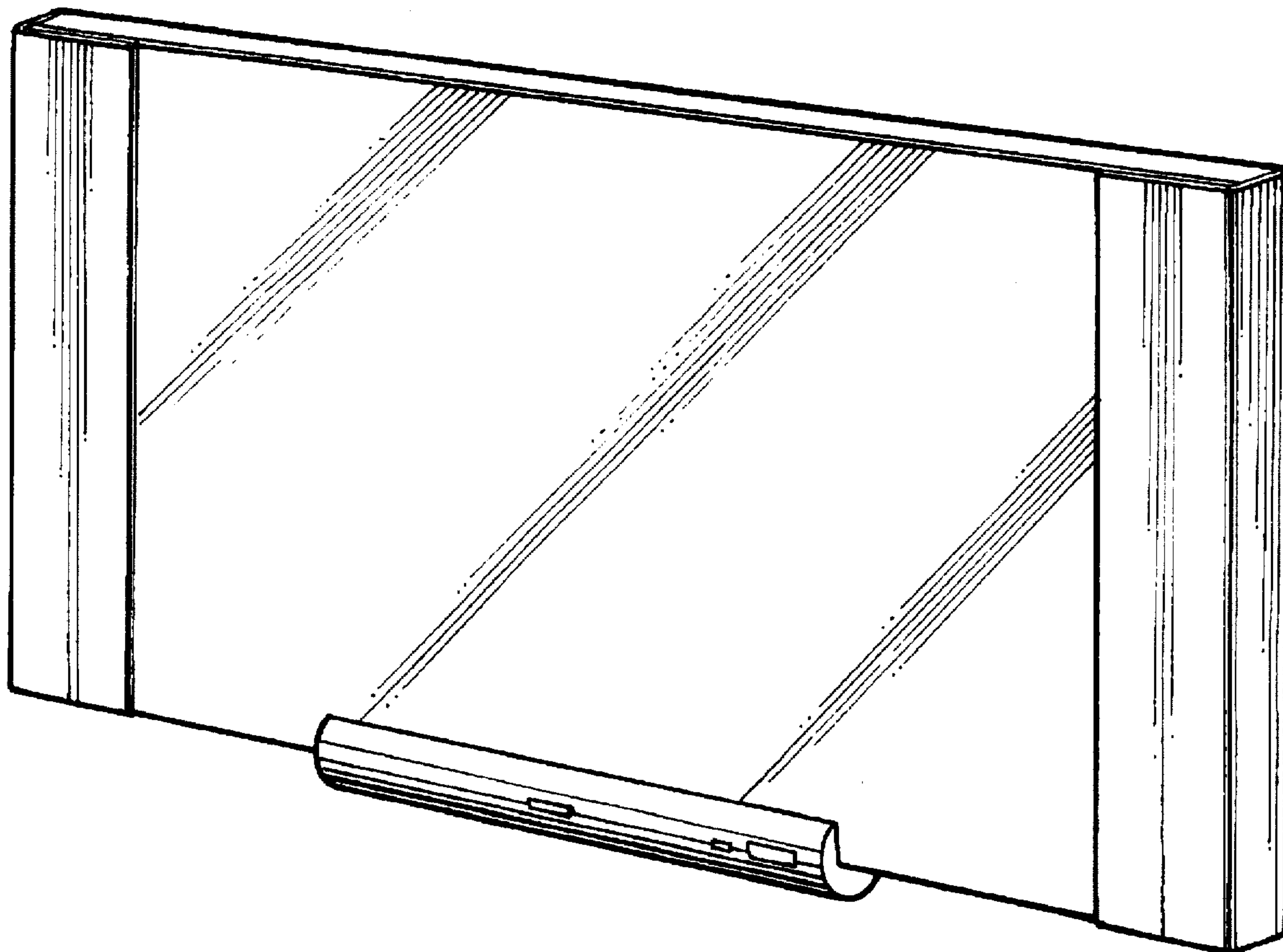


FIG. 1

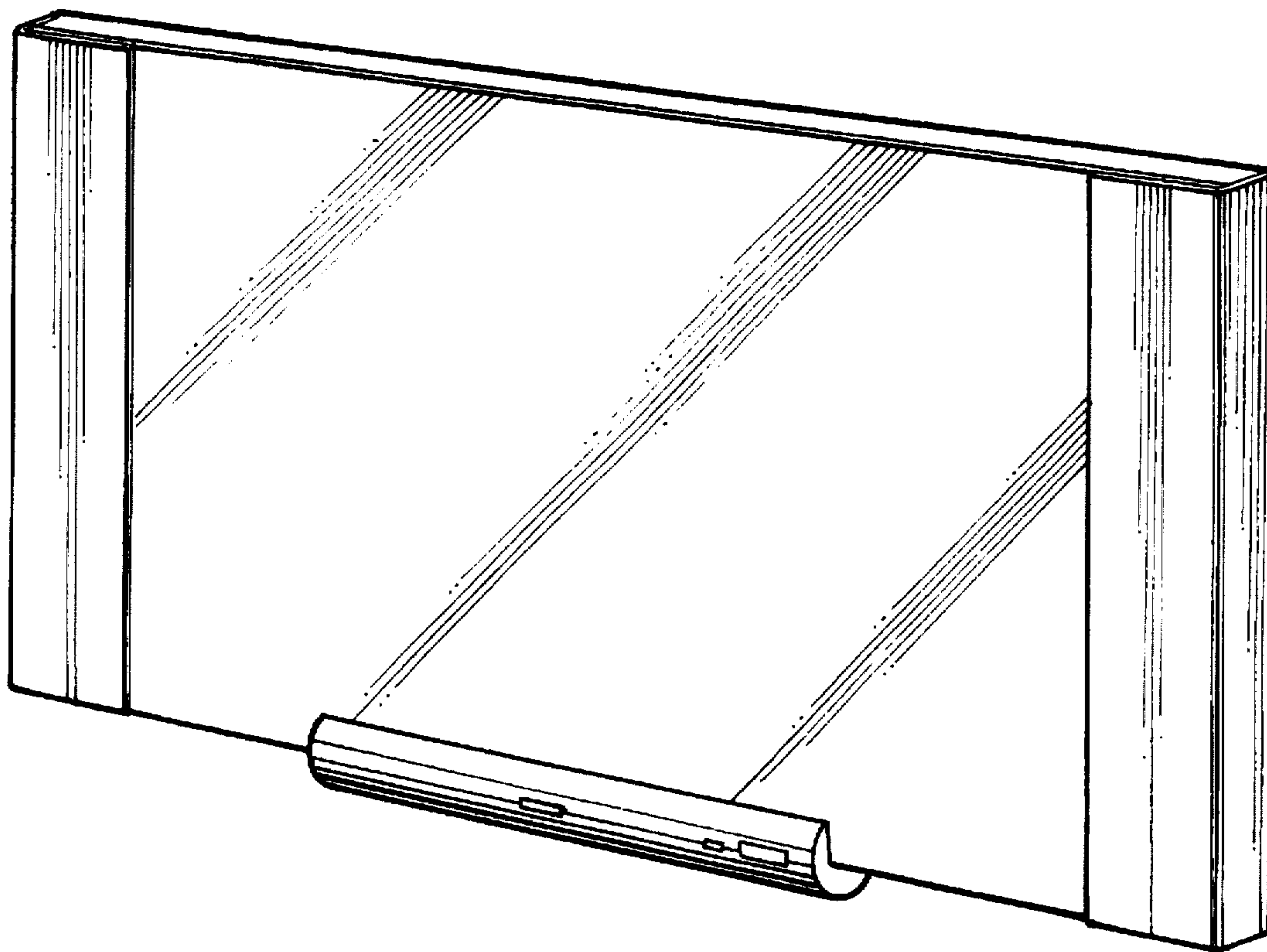


FIG. 2

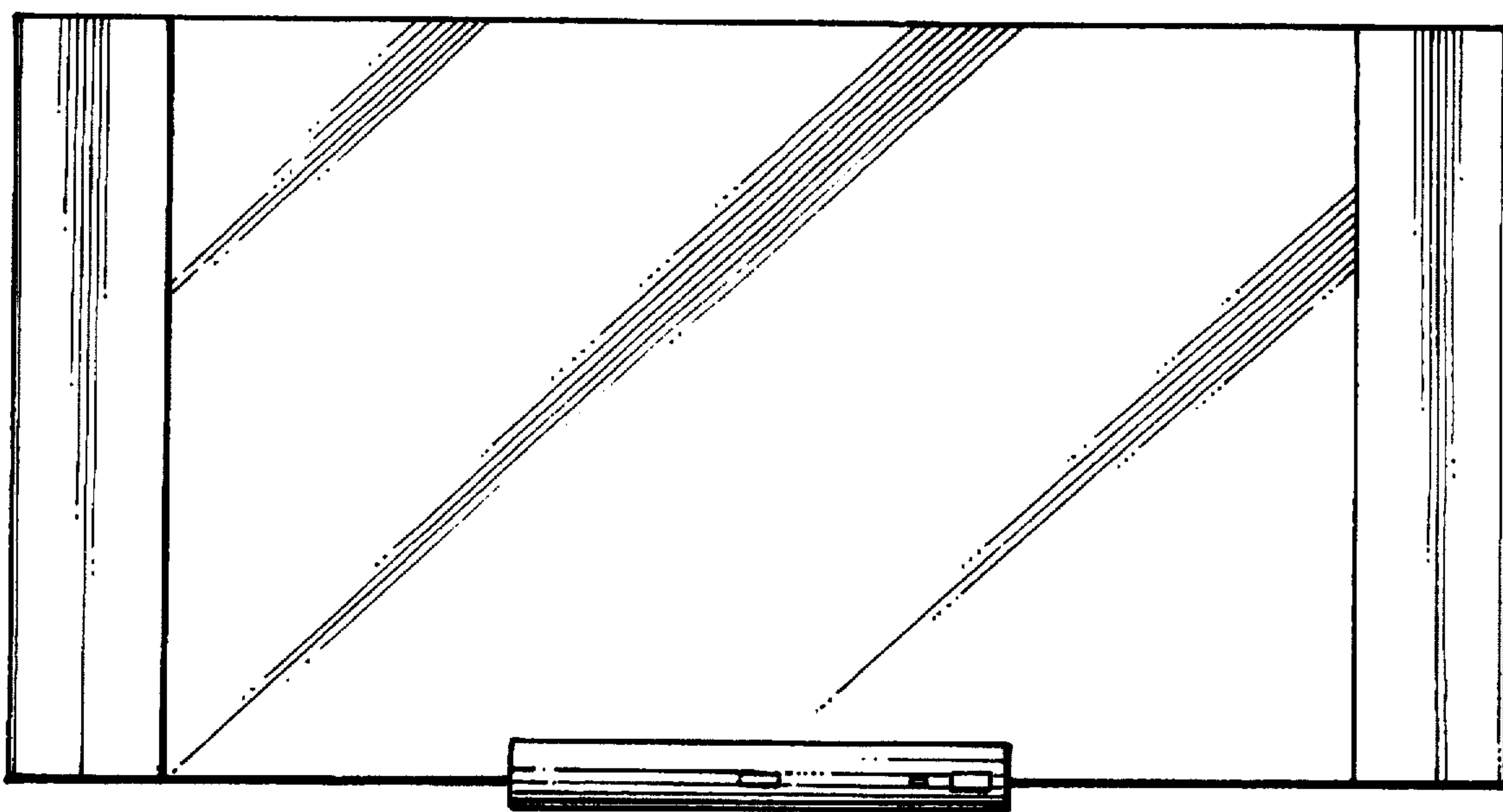


FIG. 3

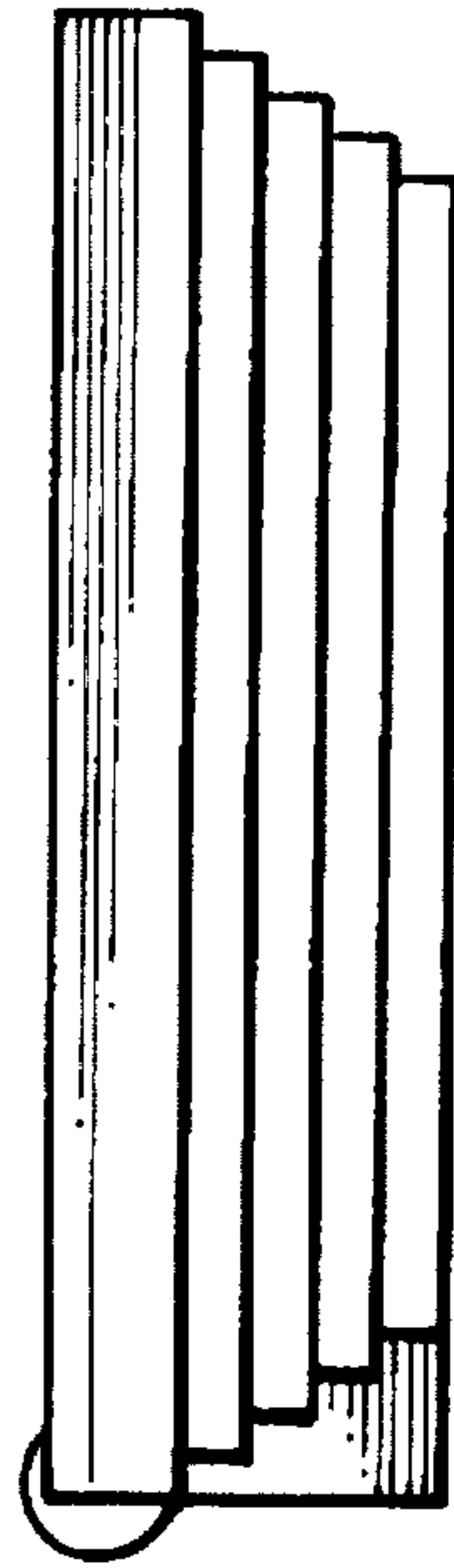


FIG. 4

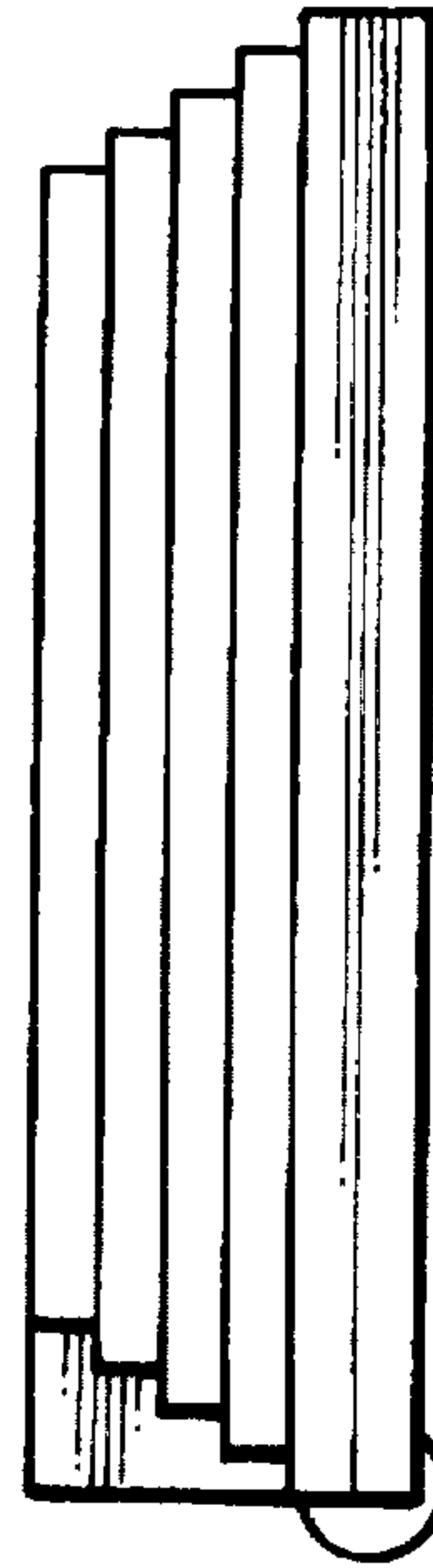


FIG. 5

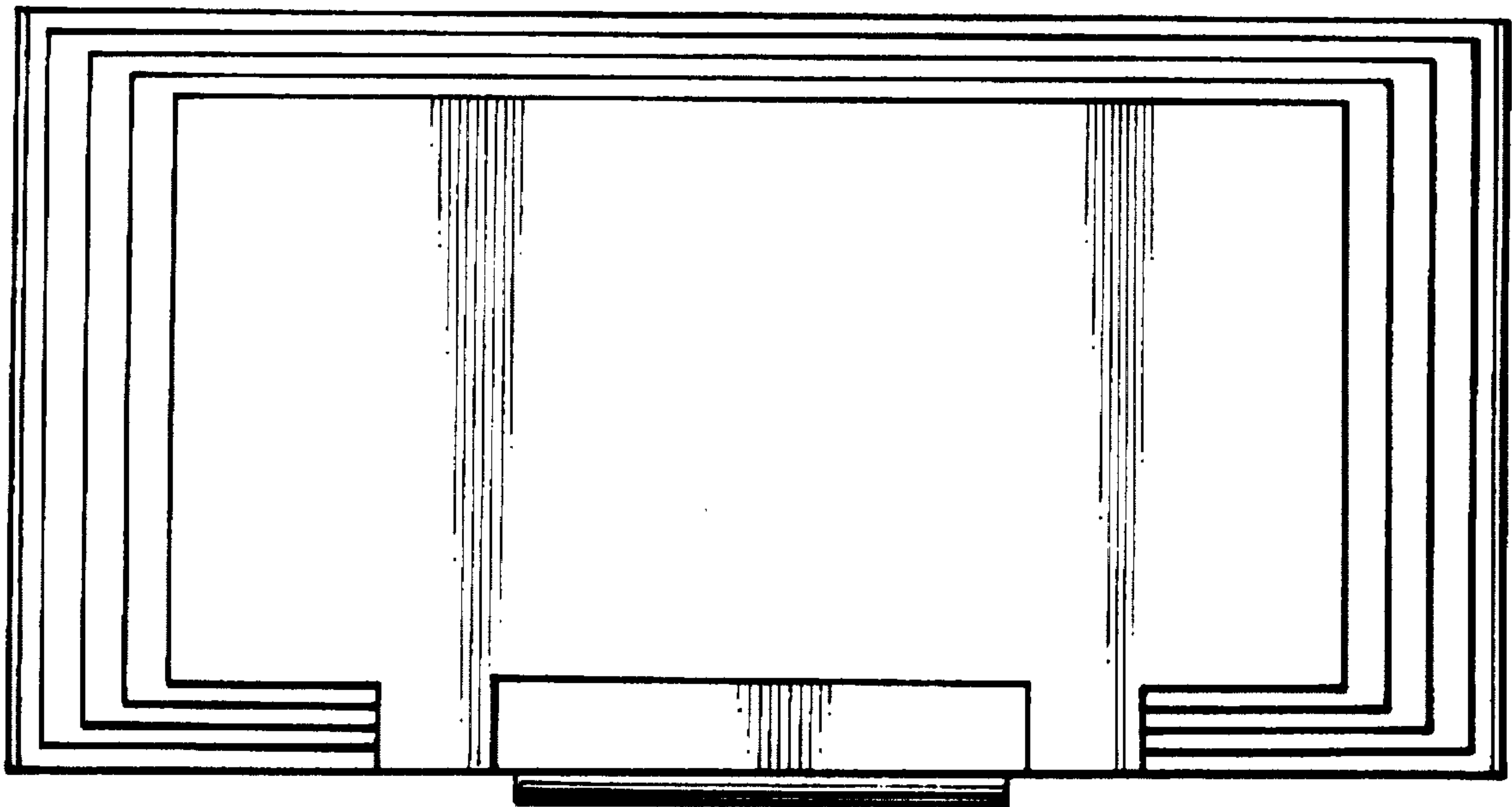


FIG. 6

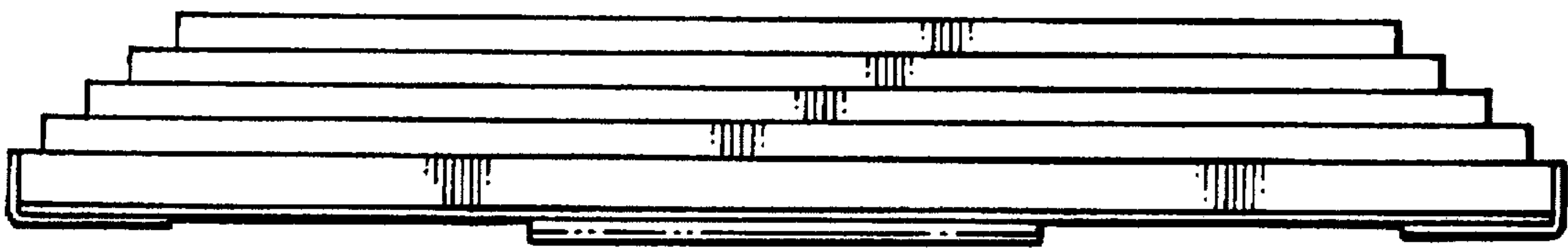


FIG. 7

