

US00D394084S

United States Patent [19]

Nagata et al.

[11] Patent Number: Des. 394,084

[45] Date of Patent: **May 5, 1998

[54] SORTER FOR COPYING MACHINE

[75] Inventors: Kazuteru Nagata; Hiroo Seki, both of Yokohama, Japan

[73] Assignee: Fuji Xerox Co., Ltd., Tokyo, Japan

[**] Term: 14 Years

[21] Appl. No.: 49,860

[22] Filed: Feb. 1, 1996

[30] Foreign Application Priority Data

Aug. 9, 1995 [JP] Japan 7-23167

[51] LOC (6) Cl. 18-99

[52] U.S. Cl. D18/47; D18/48

[58] Field of Search D18/46-49; 399/16, 399/361; 271/278, 287, 293; 365/322, 323

[56] References Cited

U.S. PATENT DOCUMENTS

D. 245,166 7/1977 Bevilacqua et al. D18/48

D. 251,789	5/1979	Hoyt	D18/48
D. 265,830	8/1982	Nakade	D18/48
D. 284,086	6/1986	Goto	D18/48
D. 354,306	1/1995	Shimizu	D18/48
D. 373,789	9/1996	Narushima	D18/48

Primary Examiner—Caron D. Veynar
Attorney, Agent, or Firm—Oliff & Berridge, PLC

[57] CLAIM

The ornamental design for a sorter for copying machine, as shown and described.

DESCRIPTION

FIG. 1 is a perspective view of the top, front and left side of a sorter for copying machine showing our new design; FIG. 2 is a front view thereof; FIG. 3 is a right side view thereof; FIG. 4 is a top plan view thereof; FIG. 5 is a bottom view thereof; FIG. 6 is a left side view thereof; and, FIG. 7 is a rear view thereof.

1 Claim, 6 Drawing Sheets

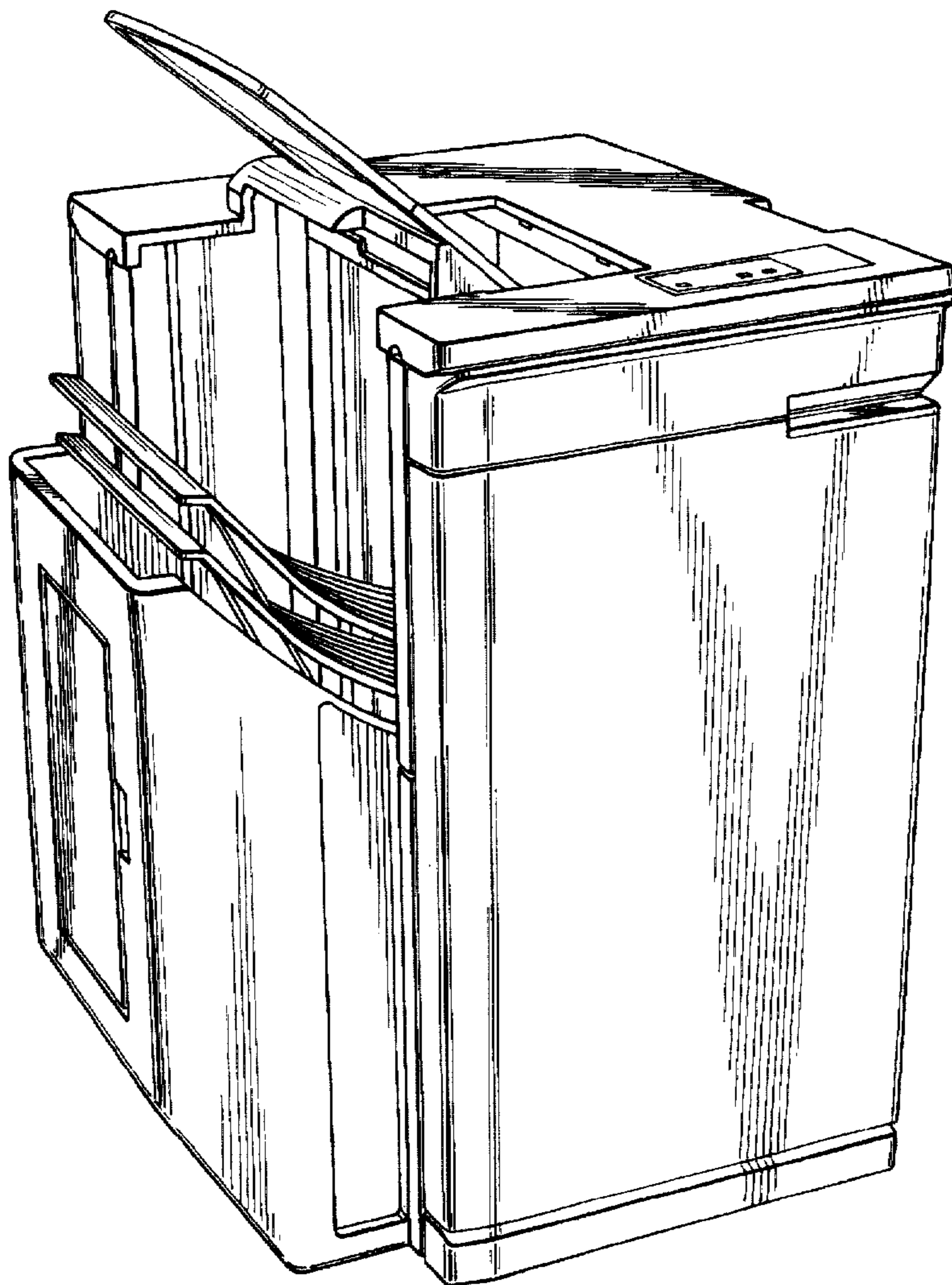


FIG. 1

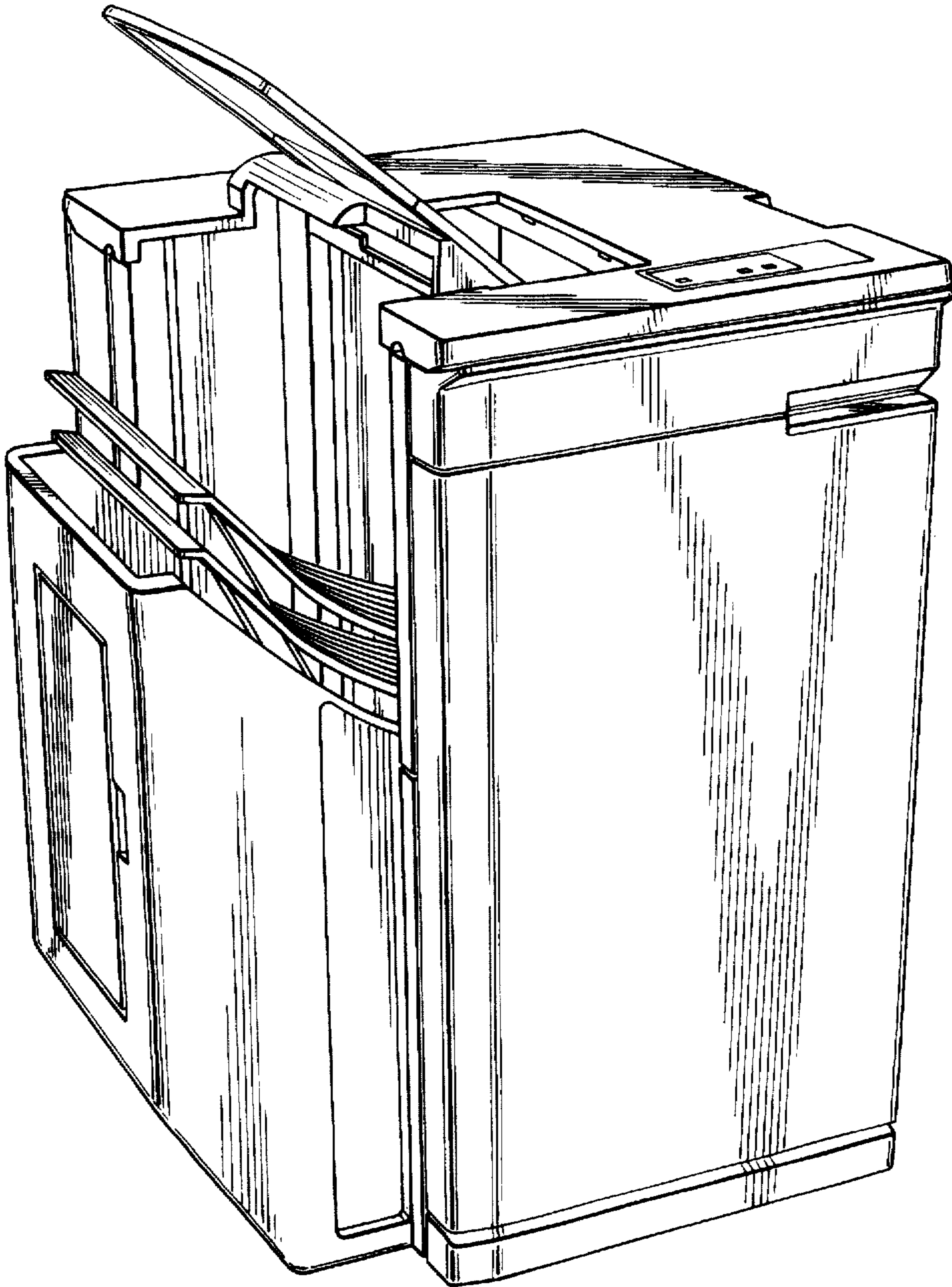


FIG. 2

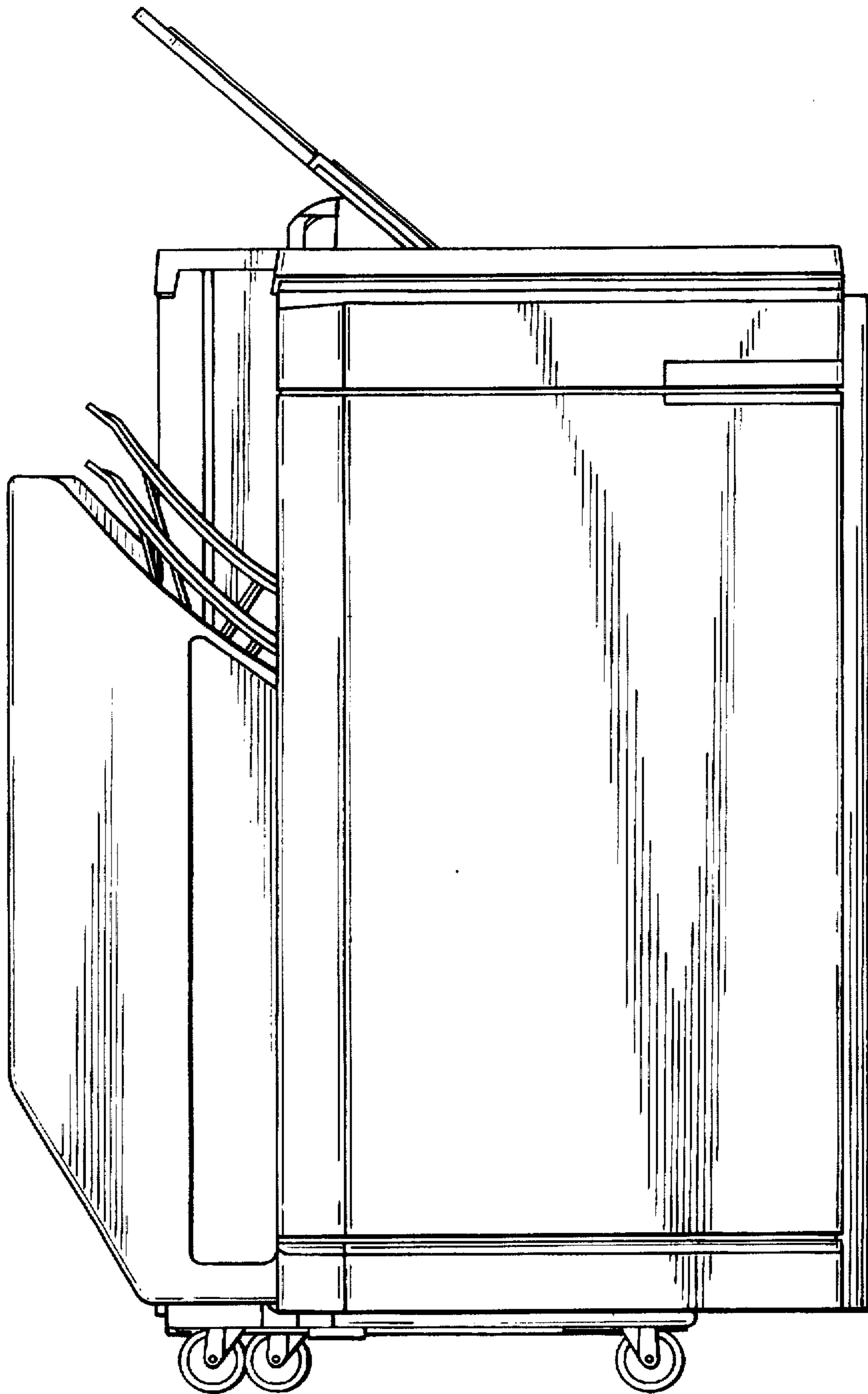


FIG. 3

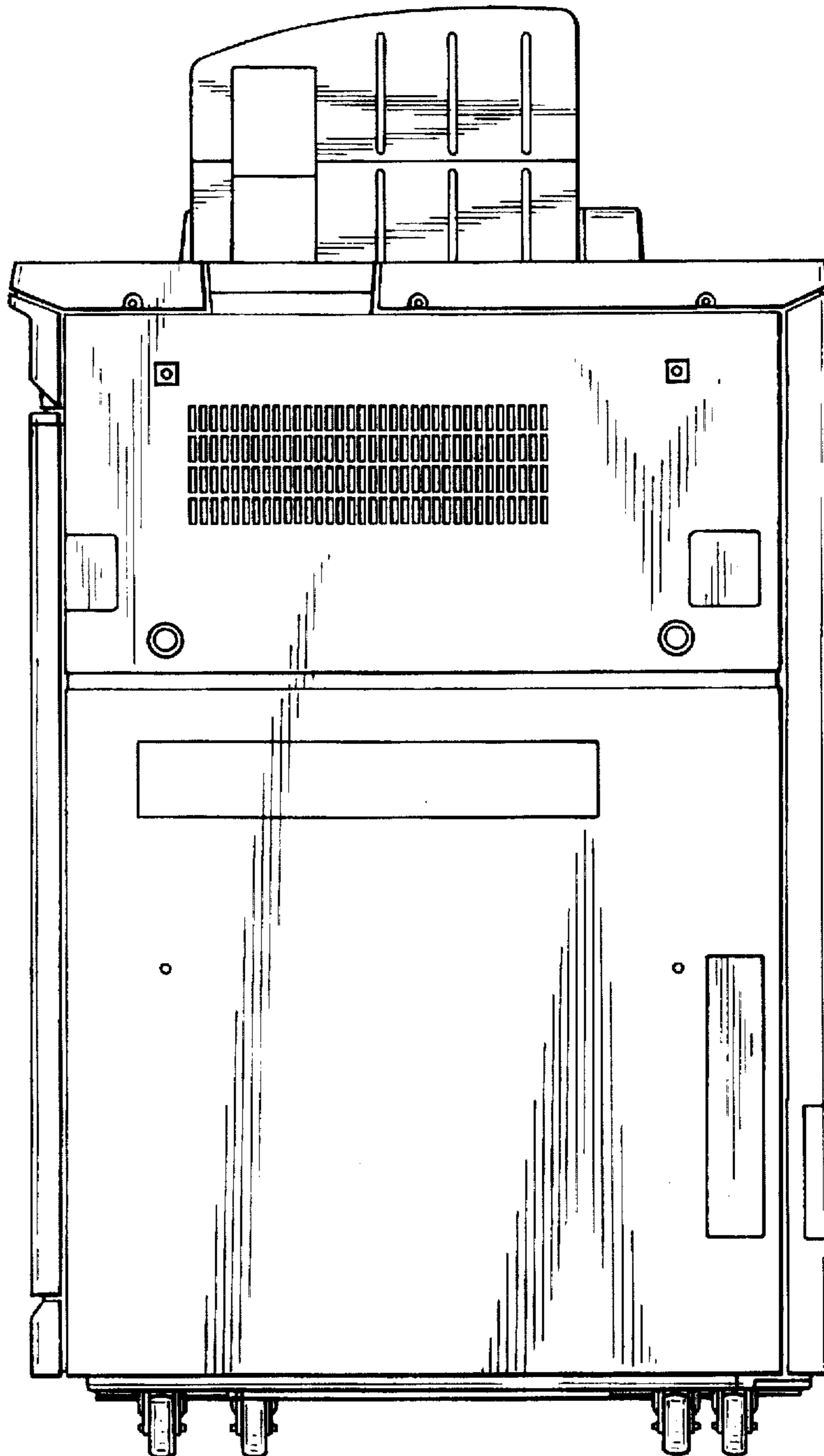


FIG. 4

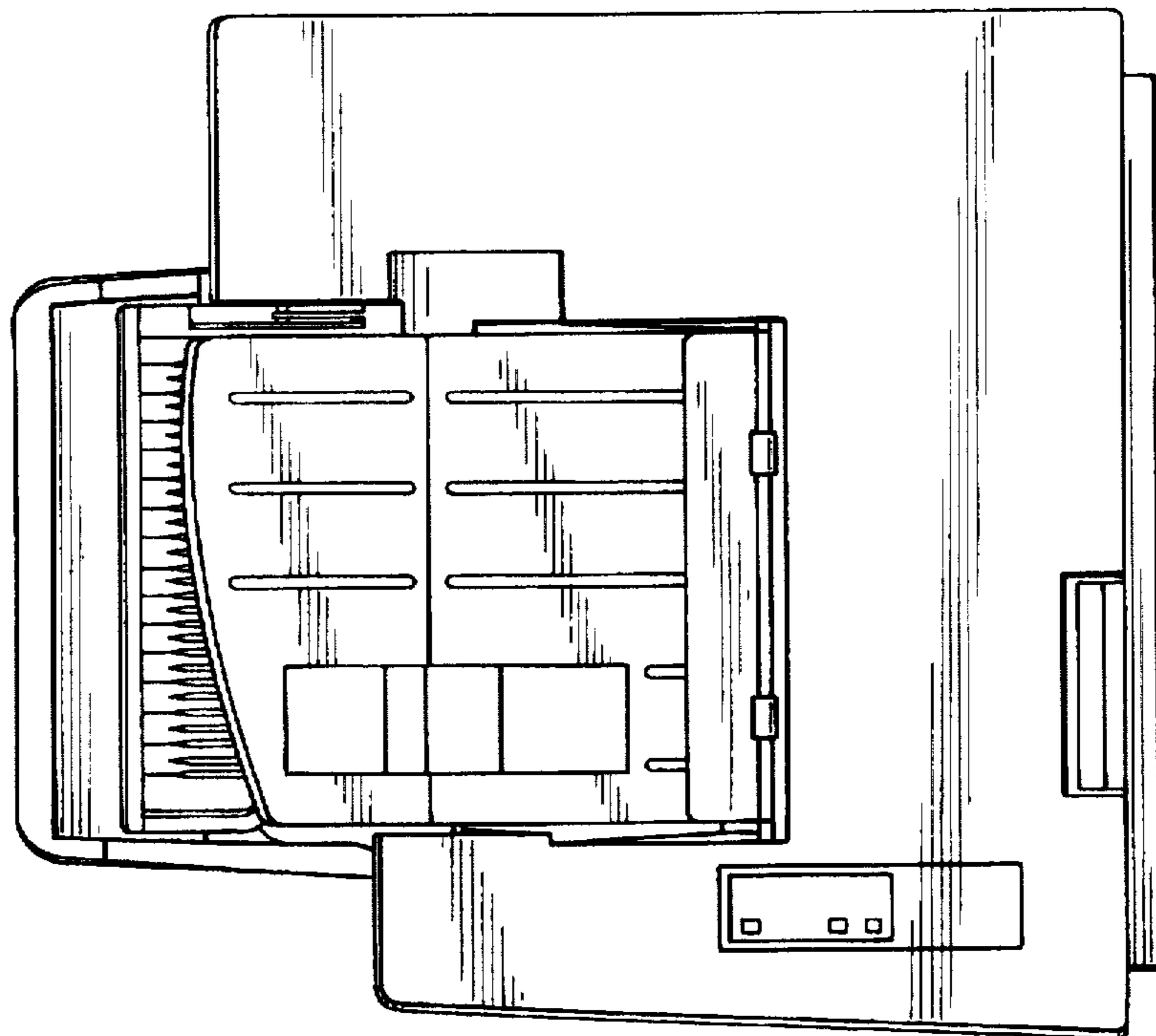


FIG. 5

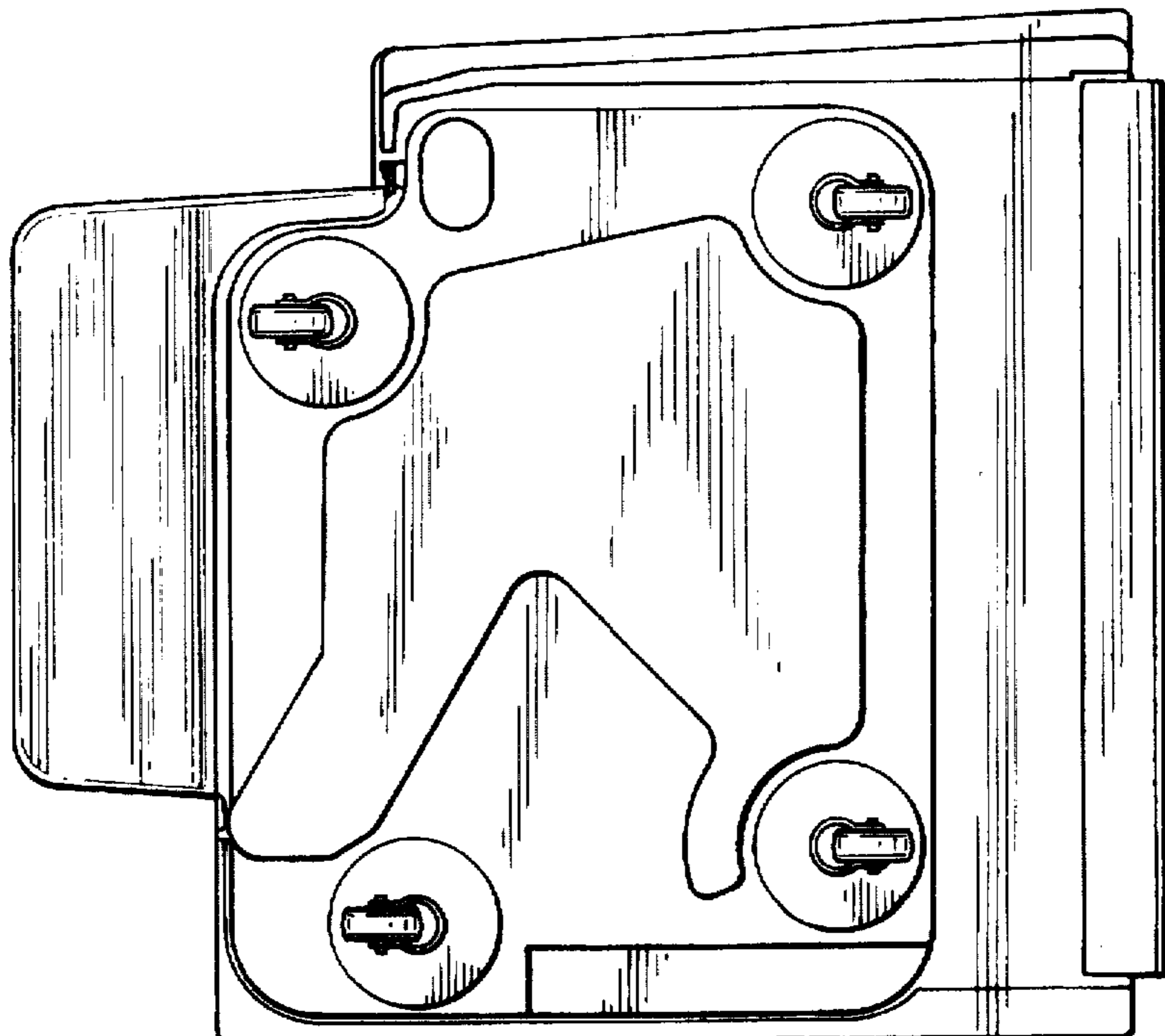


FIG. 6

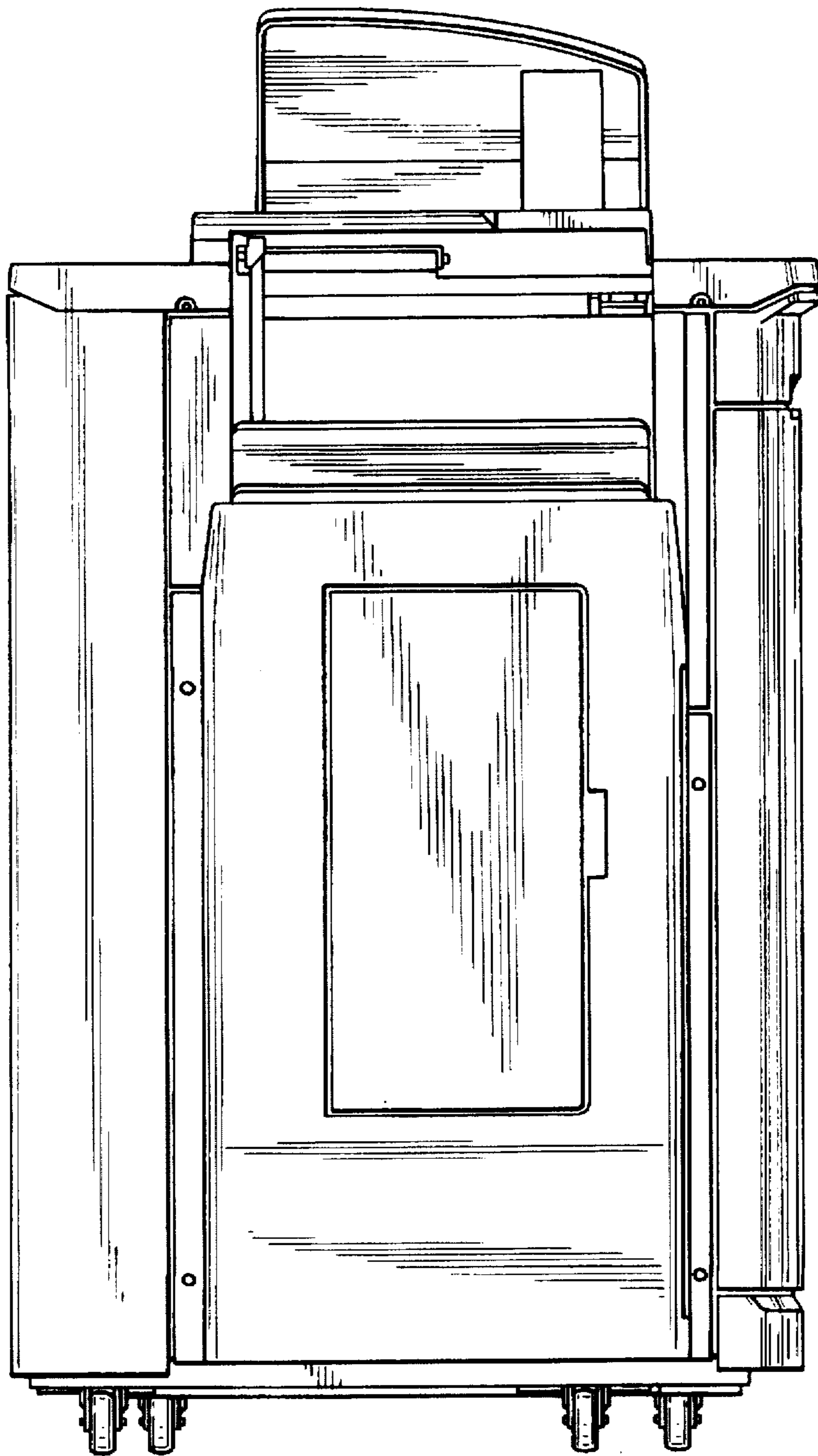


FIG. 7

