



US00D394083S

United States Patent [19]
Jyoroku

[11] **Patent Number: Des. 394,083**

[45] **Date of Patent: **May 5, 1998**

[54] **TONER CARTRIDGE**

[75] **Inventor: Kazuo Jyoroku, Osaka, Japan**

[73] **Assignee: Mita Industrial Co., Ltd., Osaka, Japan**

[**] **Term: 14 Years**

[21] **Appl. No.: 53,985**

[22] **Filed: May 3, 1996**

[30] **Foreign Application Priority Data**

Nov. 7, 1995 [JP] Japan 7-33598

[51] **LOC (6) Cl. 16-03**

[52] **U.S. Cl. D18/43**

[58] **Field of Search D18/36, 40, 43;
355/200, 206, 208, 245, 260, 298; 222/166,
240, 325, 541, DIG. 1**

[56] **References Cited**

U.S. PATENT DOCUMENTS

D. 321,716 11/1991 Kikuchi et al. D18/43

D. 348,689 7/1994 Kikuchi et al. D18/43
D. 356,815 3/1995 Nakajima et al. D18/43
D. 366,276 1/1996 Yasuda D18/43

FOREIGN PATENT DOCUMENTS

210884 8/1993 Taiwan .

Primary Examiner—Caron D. Veynar
Attorney, Agent, or Firm—Spencer & Frank

[57] **CLAIM**

The ornamental design for a toner cartridge, as shown.

DESCRIPTION

FIG. 1 is a front view of a toner cartridge;
FIG. 2 is a top view of a toner cartridge;
FIG. 3 is a back view of a toner cartridge;
FIG. 4 is a bottom view of a toner cartridge;
FIG. 5 is a left side elevational view of a toner cartridge;
FIG. 6 is a right side elevational view of a toner cartridge;
and,
FIG. 7 is a perspective view of a toner cartridge.

1 Claim, 3 Drawing Sheets

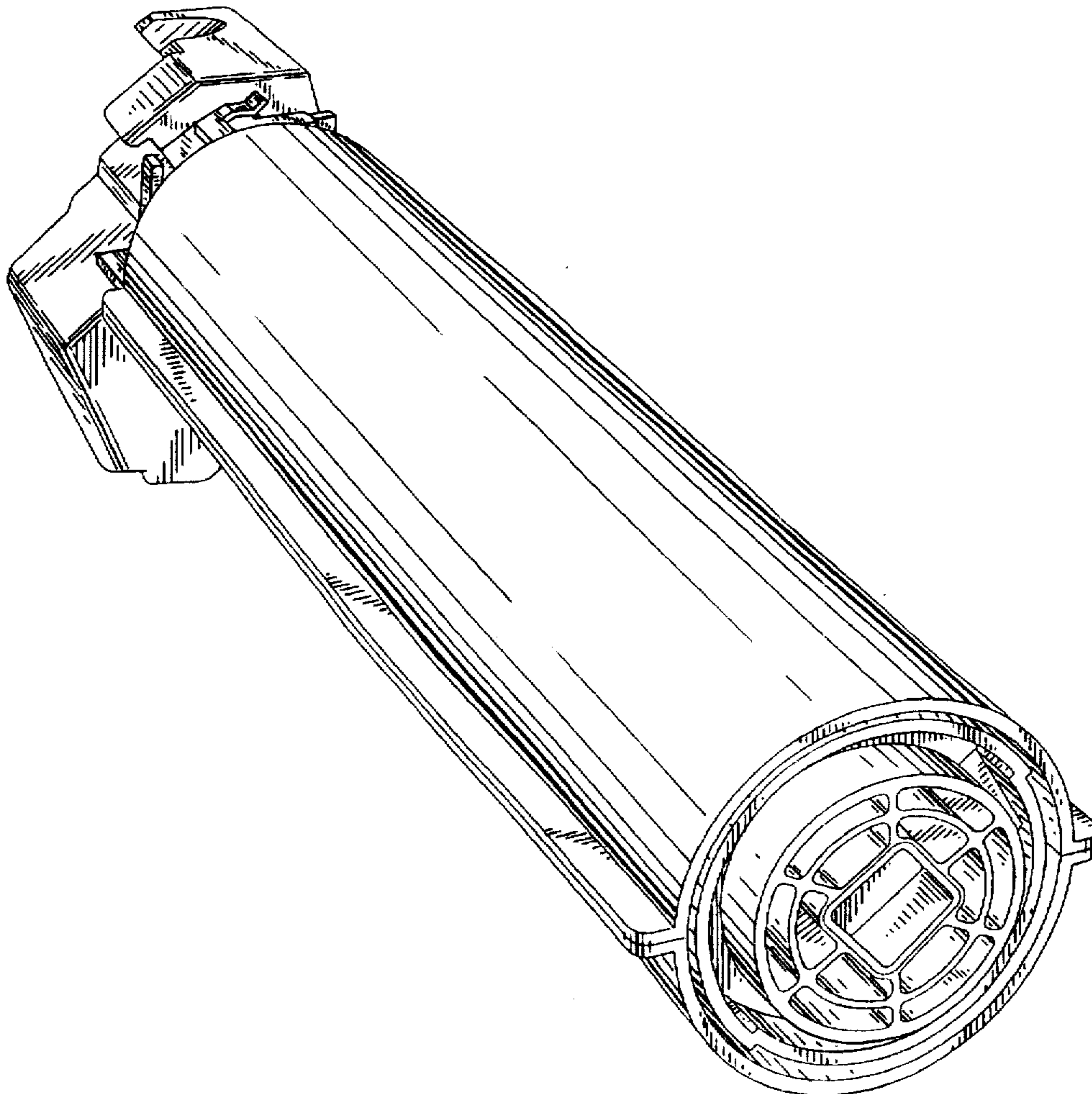


FIG. 1

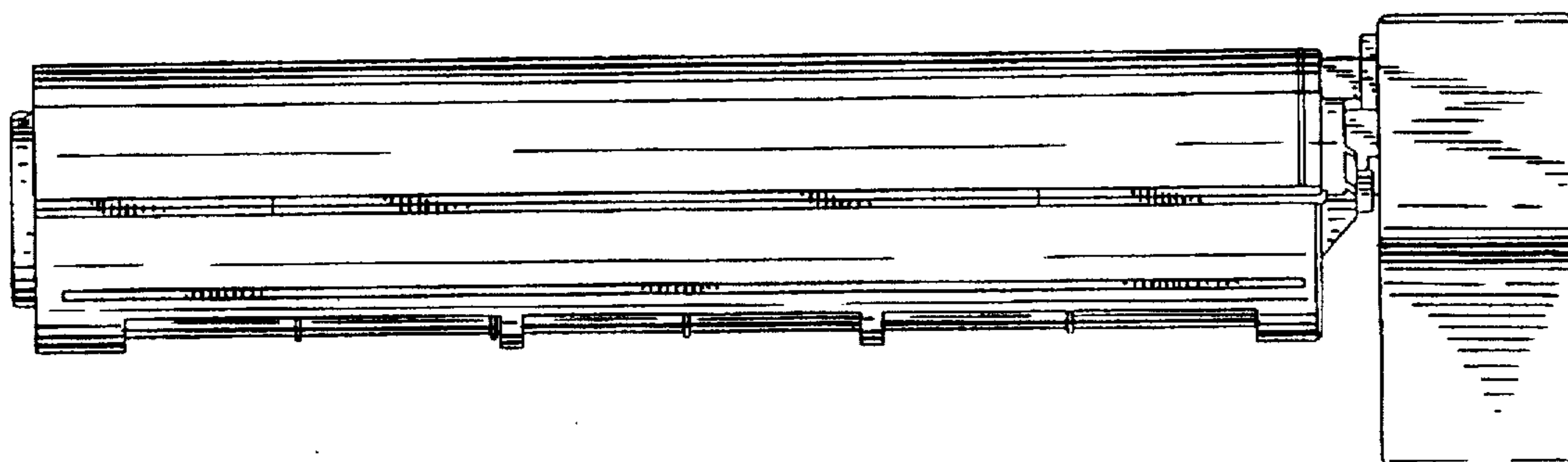


FIG. 2

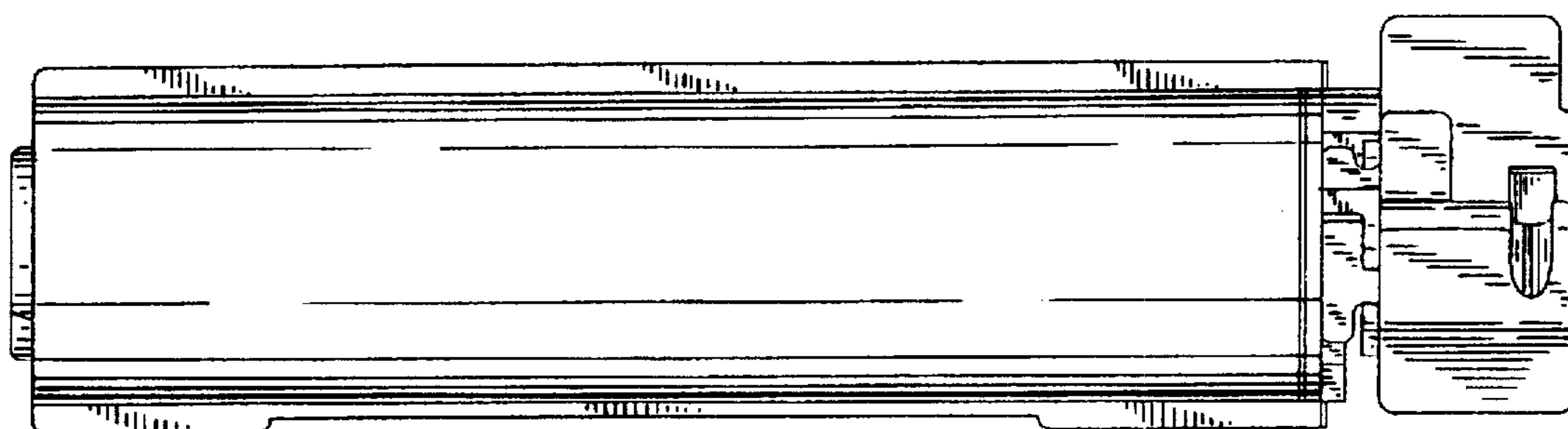


FIG. 3

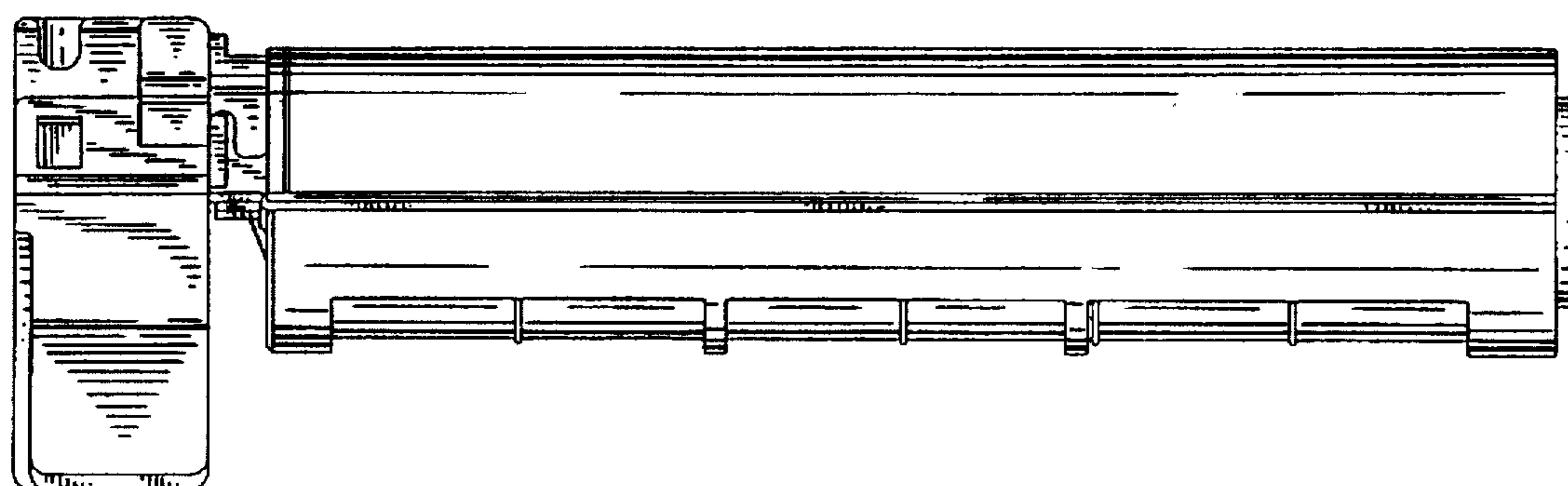


FIG. 4

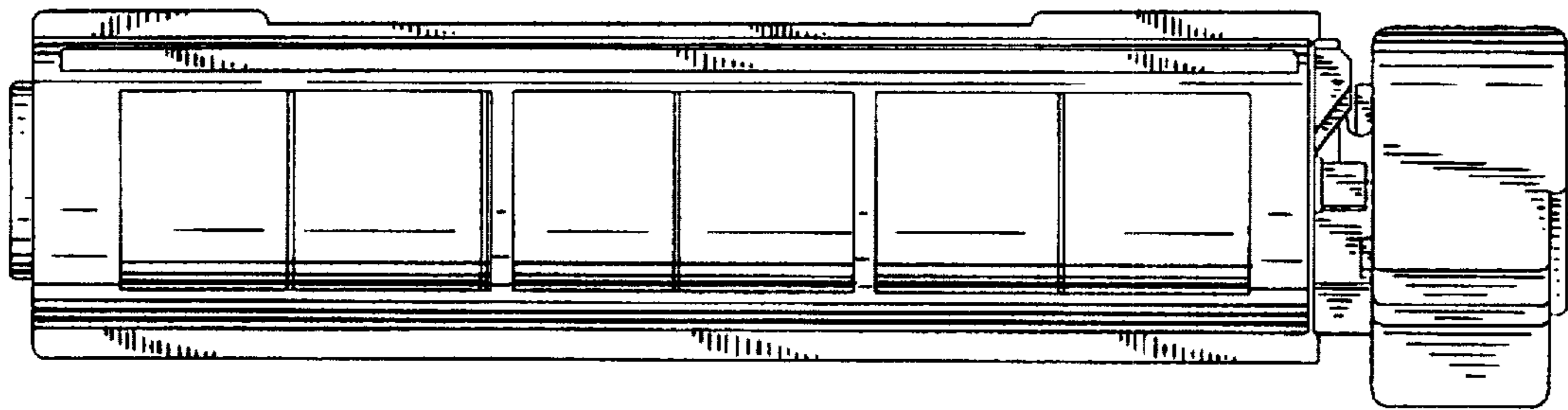


FIG. 5

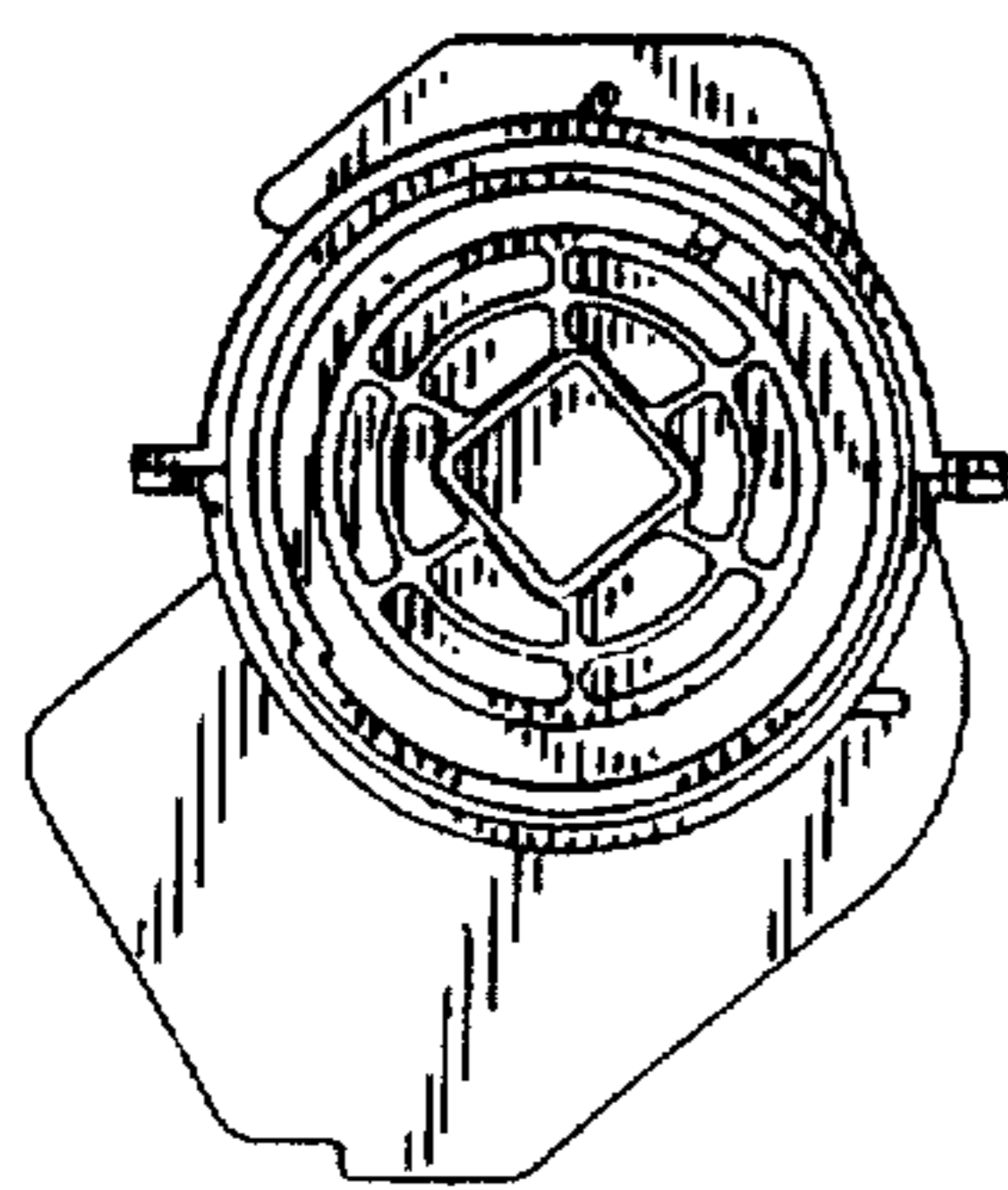
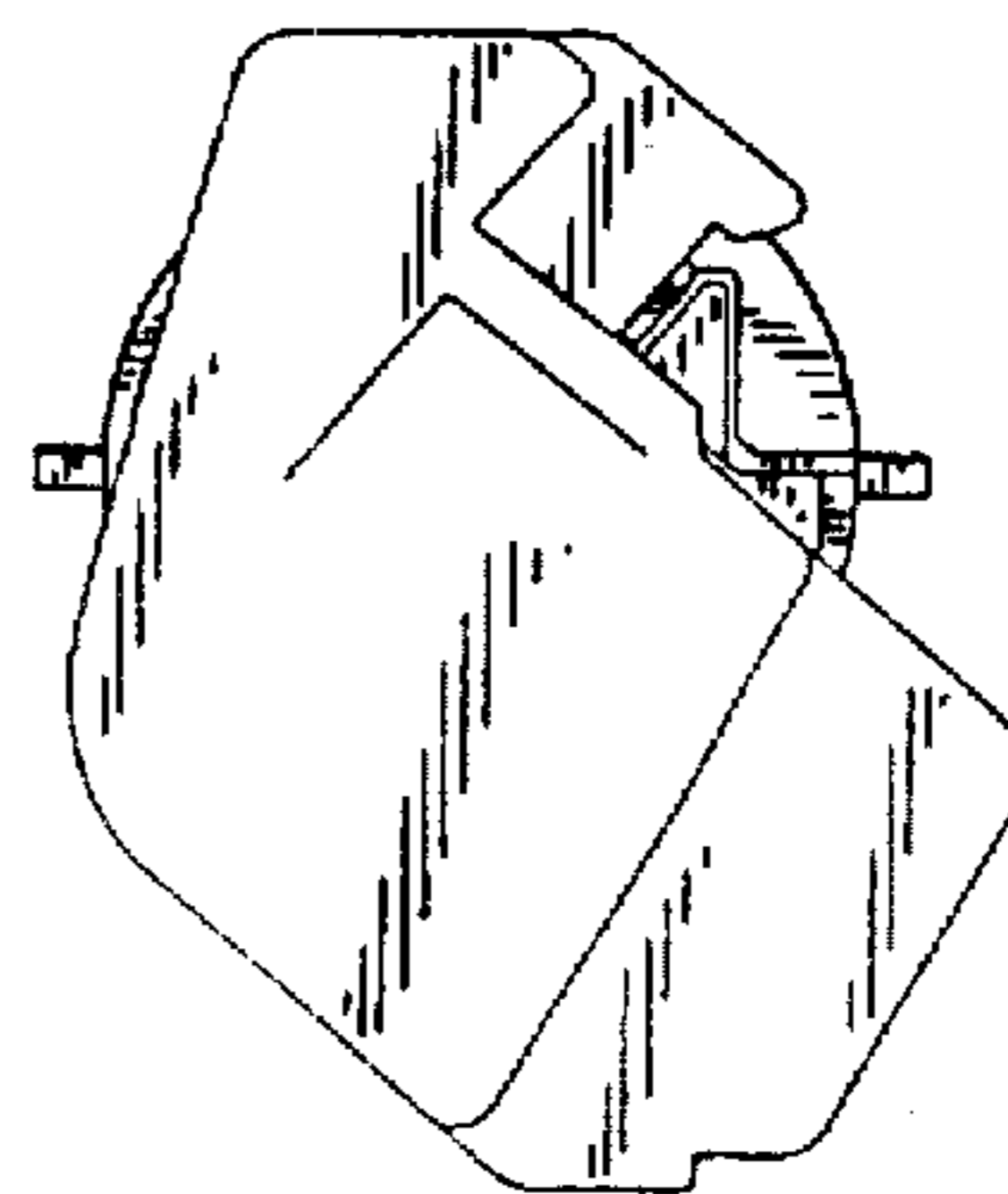


FIG. 6



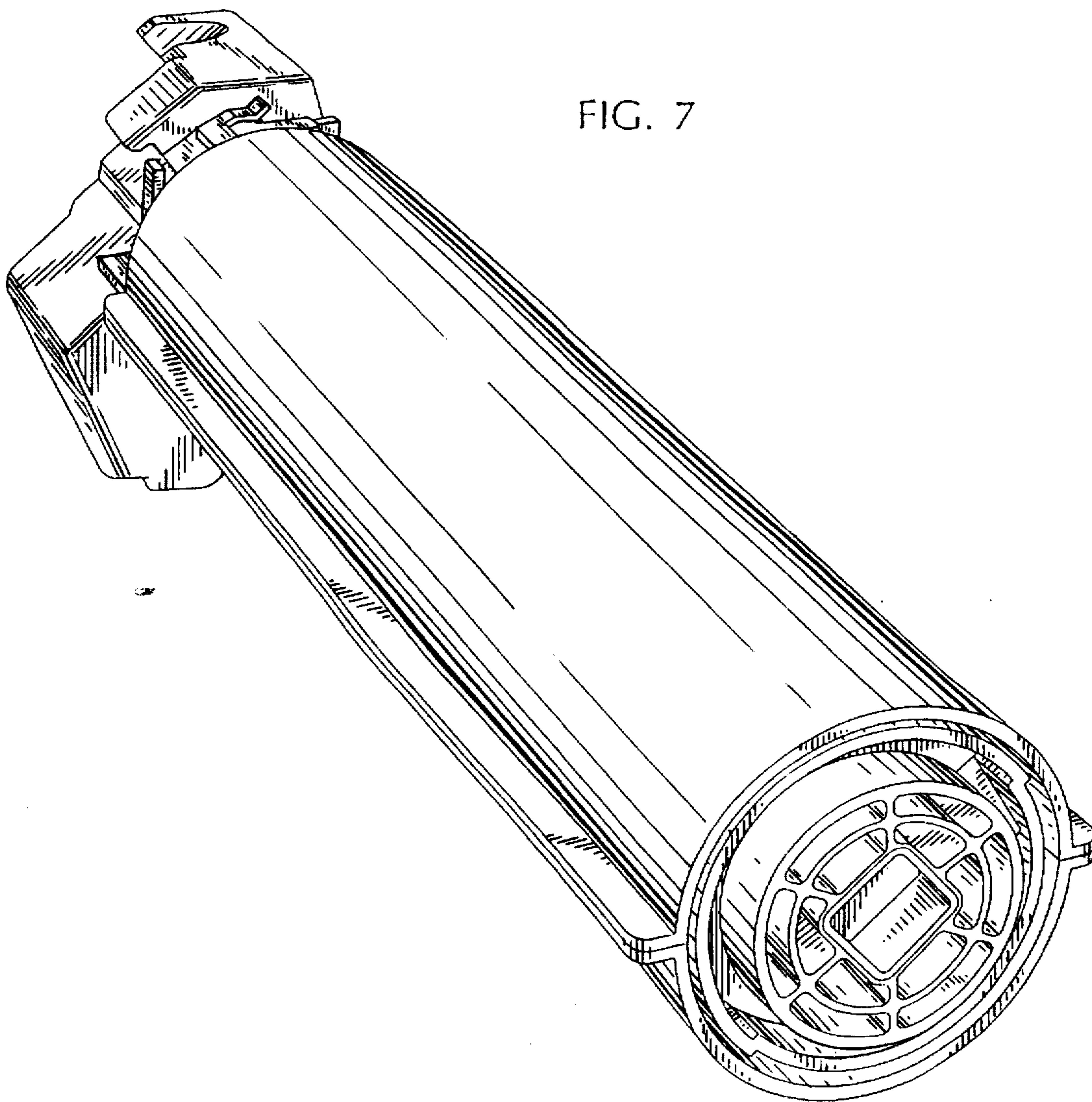


FIG. 7