



US00D394072S

United States Patent [19]

McAvinney et al.

[11] Patent Number: **Des. 394,072**

[45] Date of Patent: ****May 5, 1998**

[54] **DRIVE FOR AN INDUSTRIAL MIXER**

[75] Inventors: **Thomas A. McAvinney; Gregory P. Hancock**, both of Rochester; **Frederick W. Kehr, Webster; Jeffrey A. Townsend, Victor**, all of N.Y.

[73] Assignee: **General Signal Corporation**, Rochester, N.Y.

[**] Term: **14 Years**

[21] Appl. No.: **67,038**

[22] Filed: **Feb. 26, 1997**

[51] LOC (6) Cl. **15-99**

[52] U.S. Cl. **D15/148**

[58] Field of Search **D18/148, 149; 74/606 R, 606 A, 607; 474/82, 144, 146; 476/42**

Primary Examiner—Antoine Duval Davis
Attorney, Agent, or Firm—M. LuKacher

[57] CLAIM

The ornamental design for a drive for an industrial mixer, as shown and described.

DESCRIPTION

FIG. 1 is a front elevational view of a drive for an industrial mixer showing the new design;

FIG. 2 is a rear elevational view;

FIG. 3 is a top plan view;

FIG. 4 is a bottom plan view;

FIG. 5 is a left side elevational view; and,

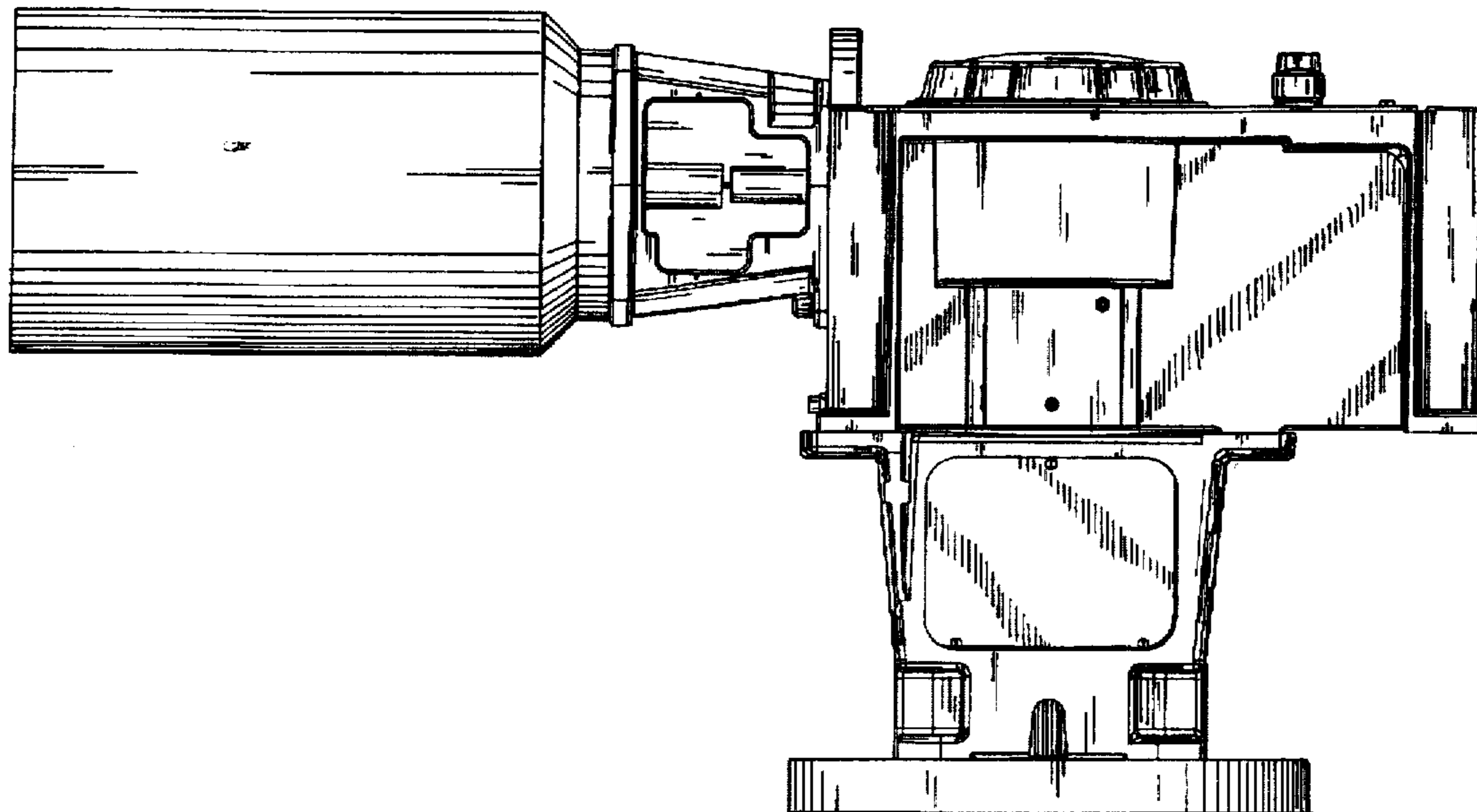
FIG. 6 is a right side elevational view.

[56] References Cited

U.S. PATENT DOCUMENTS

4,719,815 1/1988 Sherman 74/607 X

1 Claim, 6 Drawing Sheets



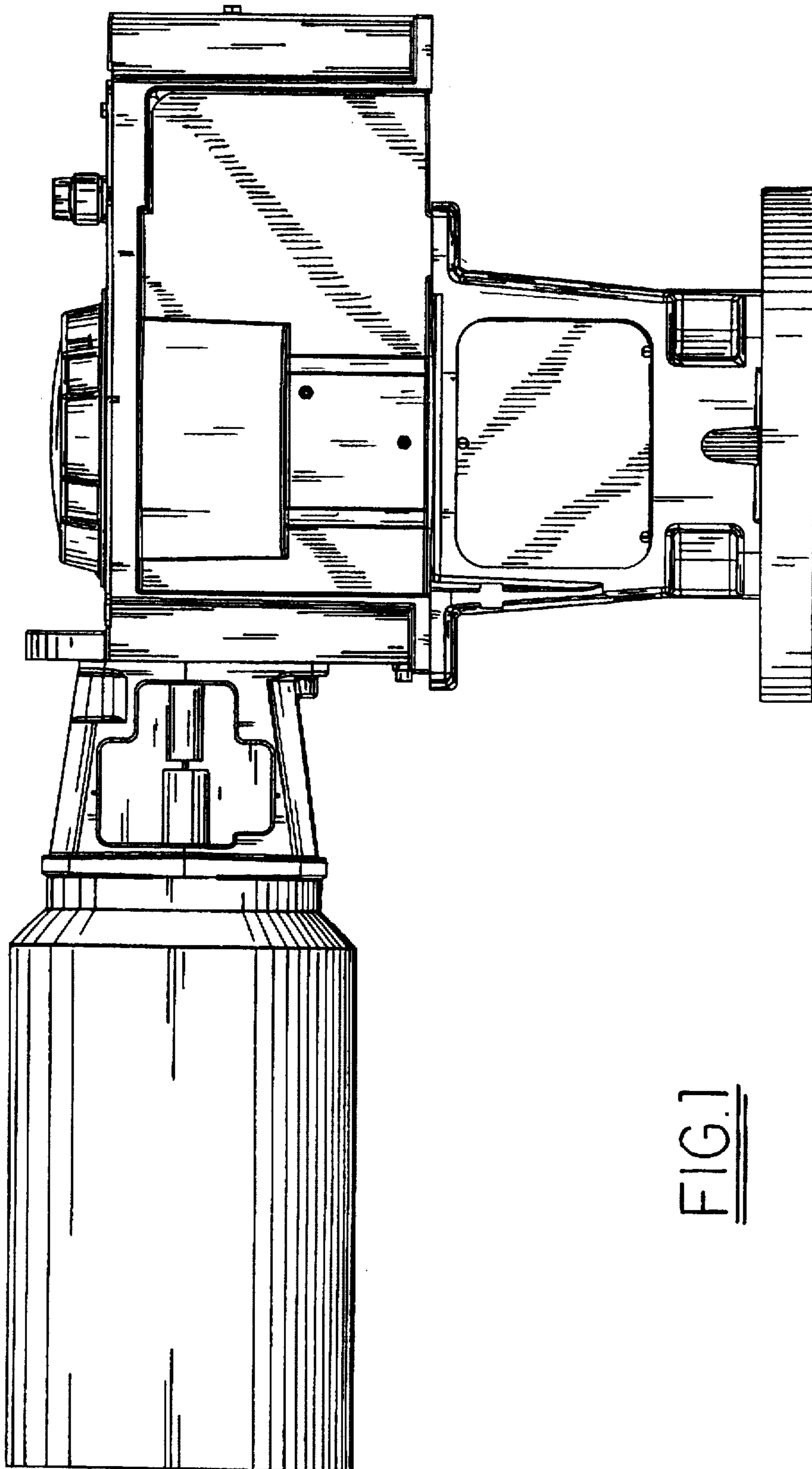


FIG. 1

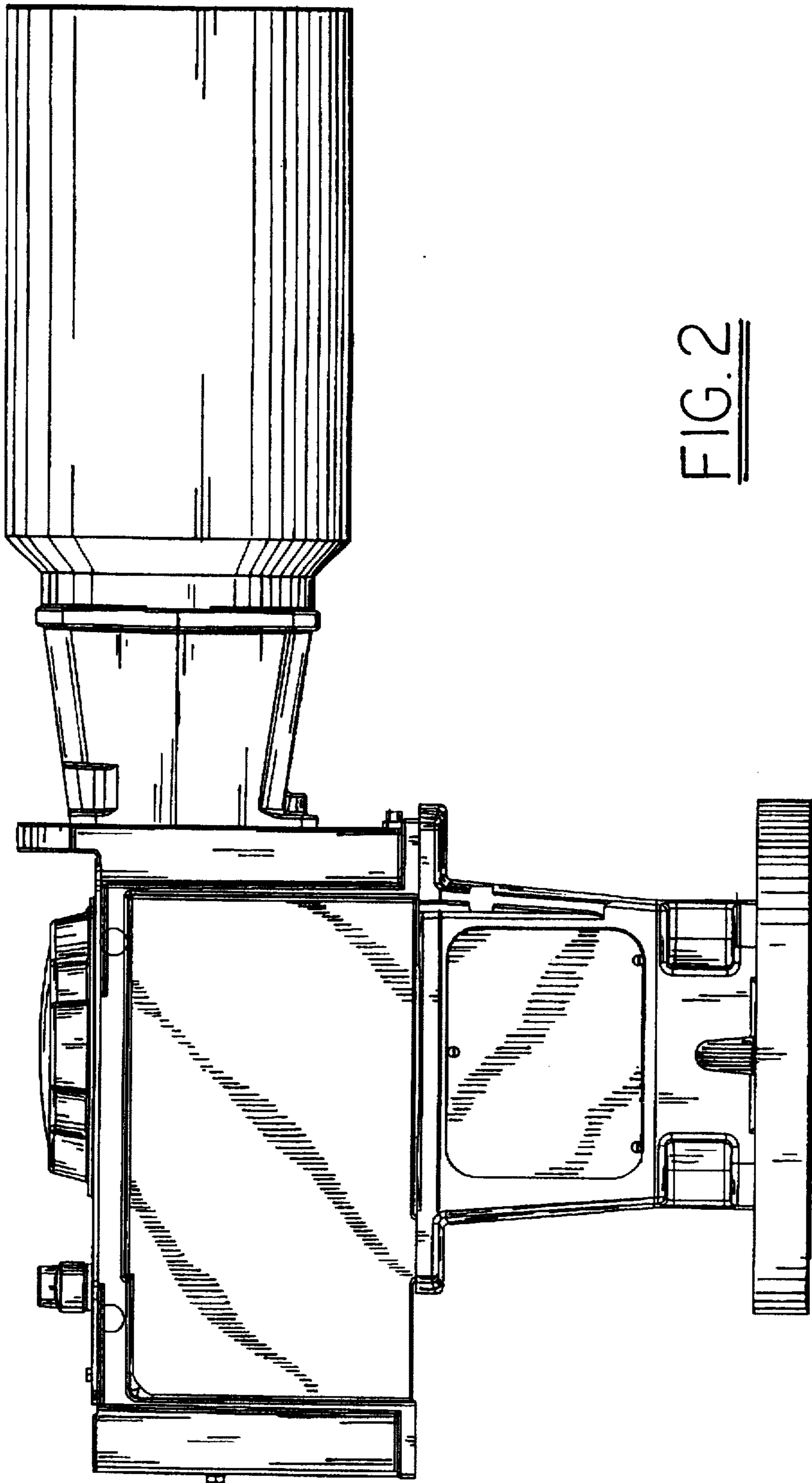


FIG. 2

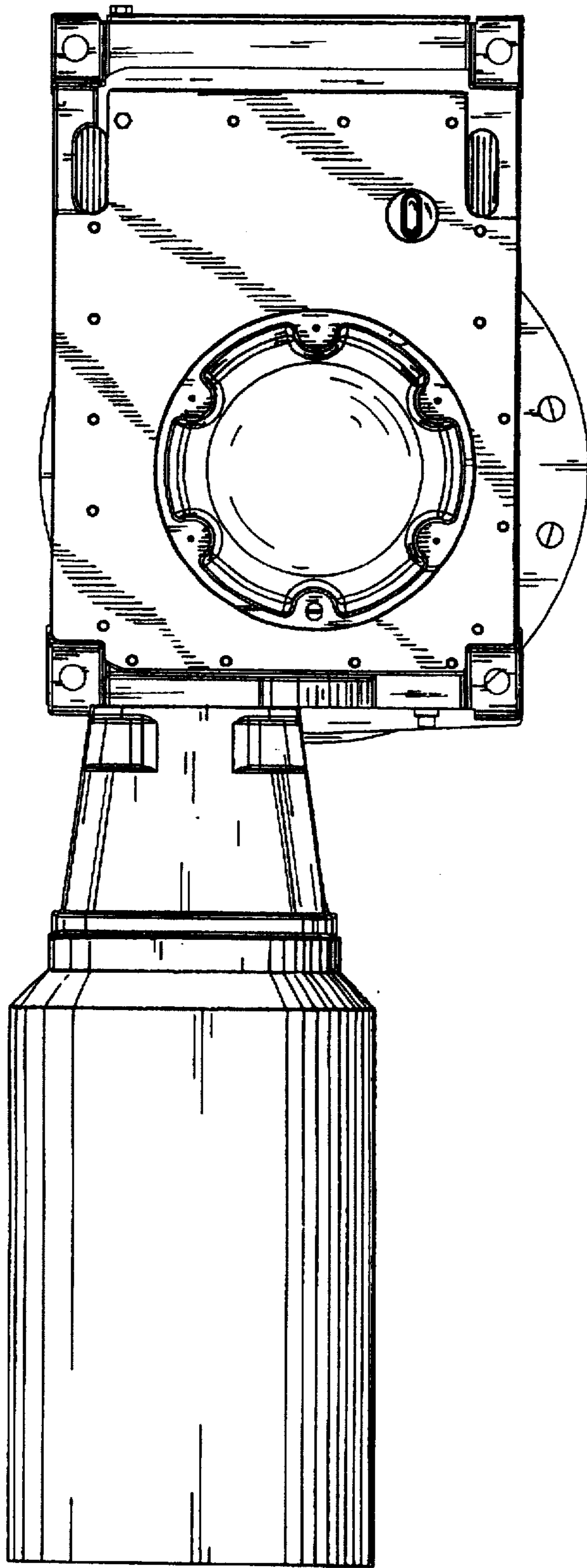


FIG. 3

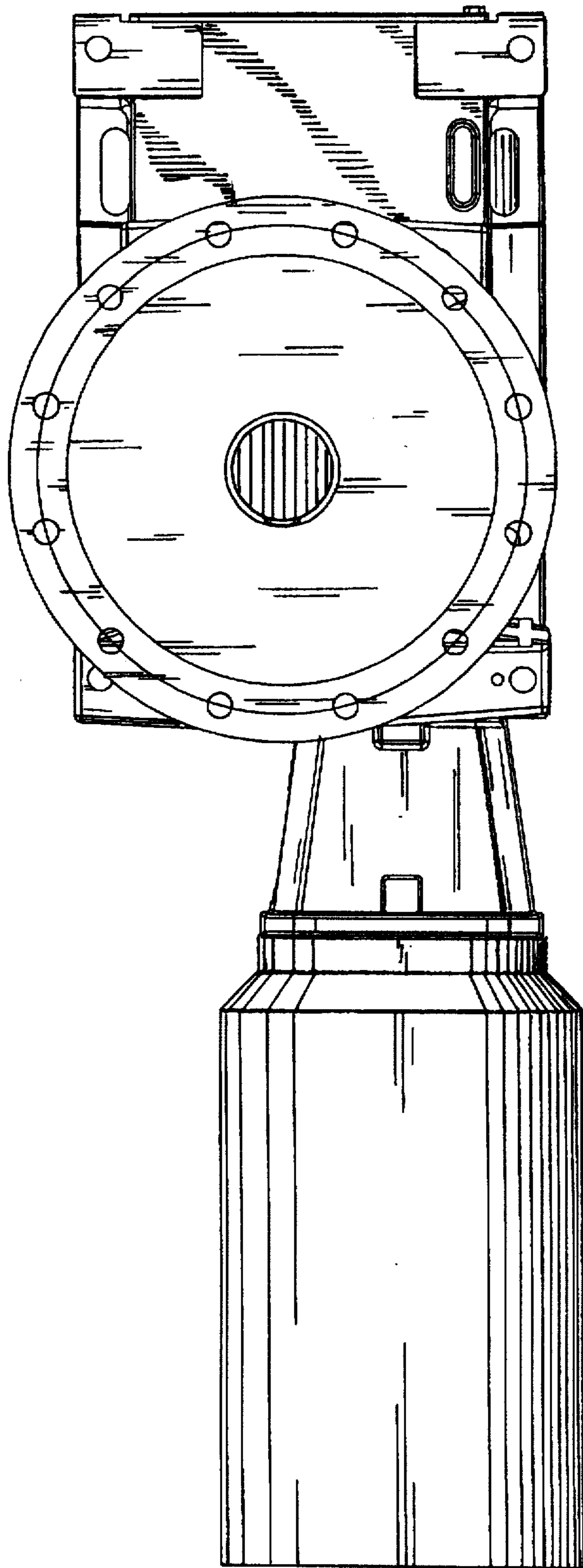


FIG. 4

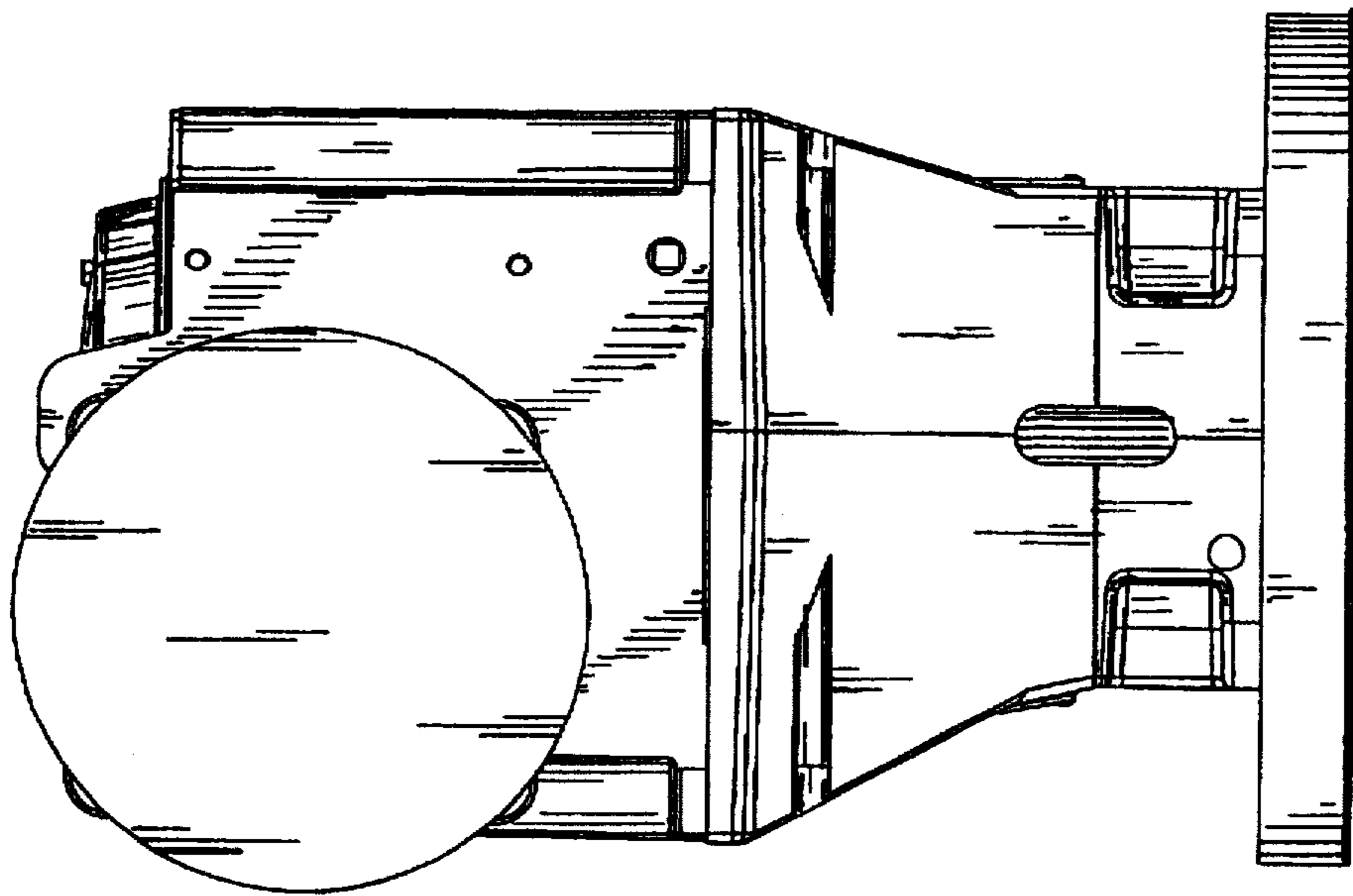


FIG. 5

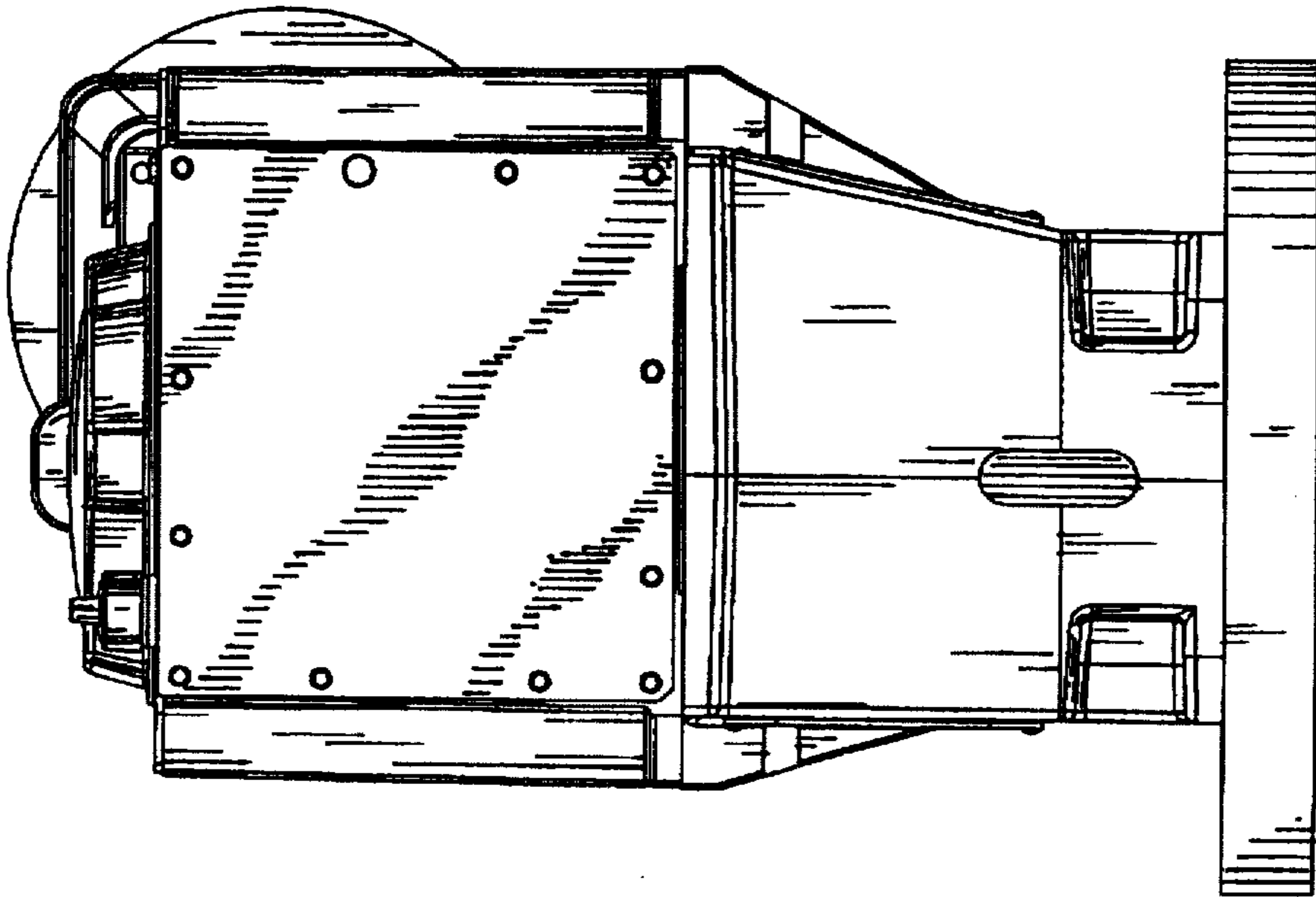


FIG. 6