

US00D394071S

United States Patent [19]

[11] Patent Number: **Des. 394,071**

Ceroll et al.

[45] Date of Patent: ****May 5, 1998**

[54] TABLE SAW WITH TELESCOPING FENCE ASSEMBLY

[75] Inventors: **Warren A. Ceroll**, Owings Mills; **Robert S. Gehret**, Hampstead; **Daniel Puzio**, Baltimore; **Frederick R. Bean**, Finksburg; **Michael L. O'Banion**, Westminster, all of Md.; **David A. Porter**, Hanover, Pa.; **Daniel A. Ferrara, Jr.**, Bantam, Conn.

[73] Assignee: **Black & Decker Inc.**, Newark, Del.

[**] Term: **14 Years**

[21] Appl. No.: **57,853**

[22] Filed: **Aug. 1, 1996**

Related U.S. Application Data

[63] Continuation of Ser. No. 51,851, Mar. 1, 1996, abandoned.

[51] LOC (6) Cl. **15-07**

[52] U.S. Cl. **D15/133**

[58] Field of Search **D15/133; 83/432, 83/435, 468.7, 468.3, 477, 477.2, 478, 522.3, 522.1; 269/318, 165, 180**

[56] References Cited

U.S. PATENT DOCUMENTS

D. 354,757	1/1995	Wixey	D15/133
5,116,249	5/1992	Shiotani et al.	83/468.7 X
5,230,269	7/1993	Shiotani et al.	83/468.7

OTHER PUBLICATIONS

Photographs of Pro-Tech 10" Bench Saw.

Primary Examiner—Antoine Duval Davis

Attorney, Agent, or Firm—Bruce S. Shapiro; Adan Ayala

[57] CLAIM

The ornamental design for a table saw with telescoping fence assembly, as shown and described.

DESCRIPTION

FIG. 1 is a front elevational view of a first embodiment of a table saw with telescoping fence assembly showing our new design;

FIG. 2 is a right side elevational view of the first embodiment;

FIG. 3 is a rear elevational view of the first embodiment;

FIG. 4 is a left side elevational view of the first embodiment;

FIG. 5 is a front perspective view from the left side of the first embodiment;

FIG. 6 is a rear perspective view from the right side of the first embodiment;

FIG. 7 is a top plan view of the first embodiment;

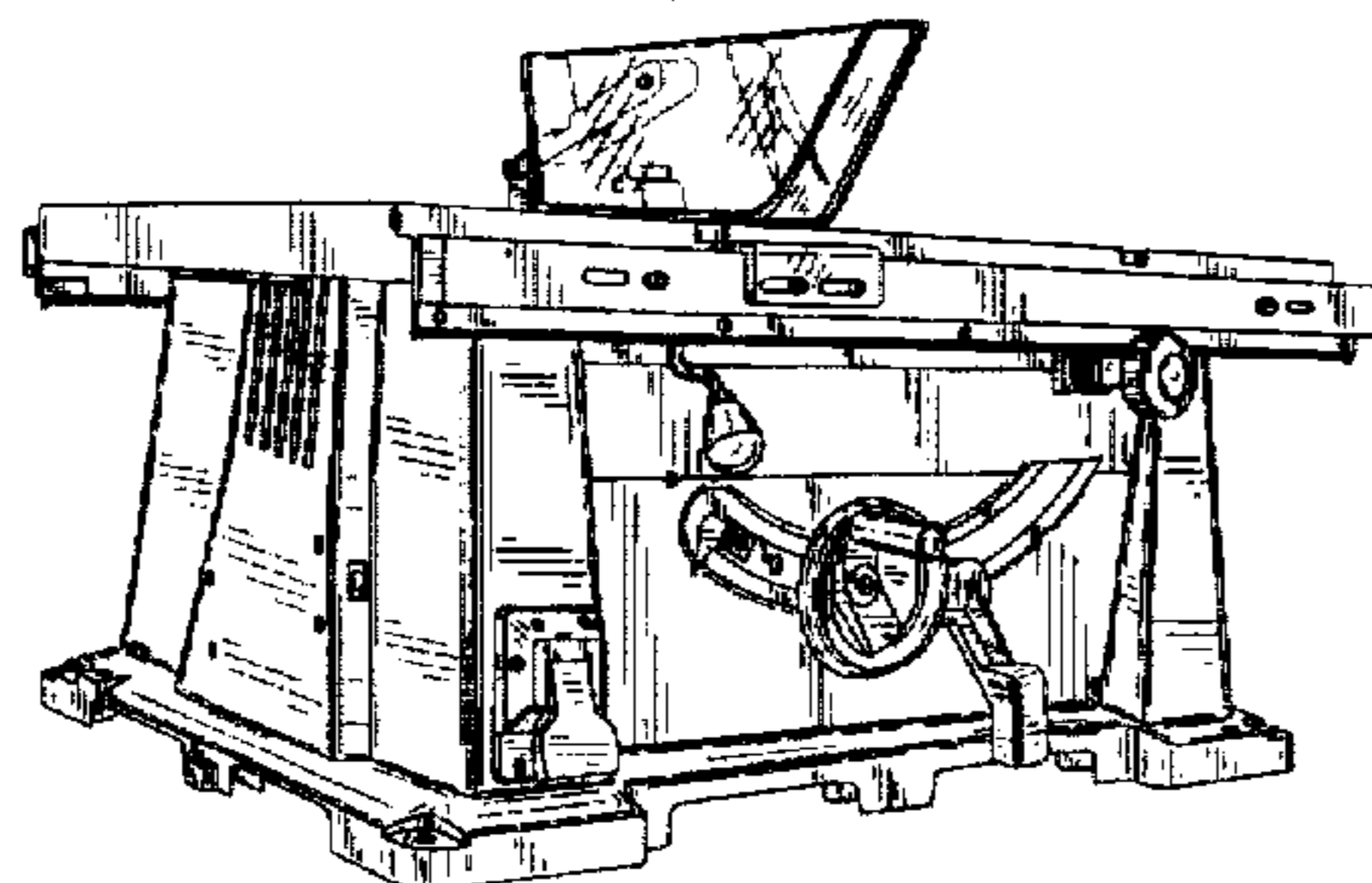
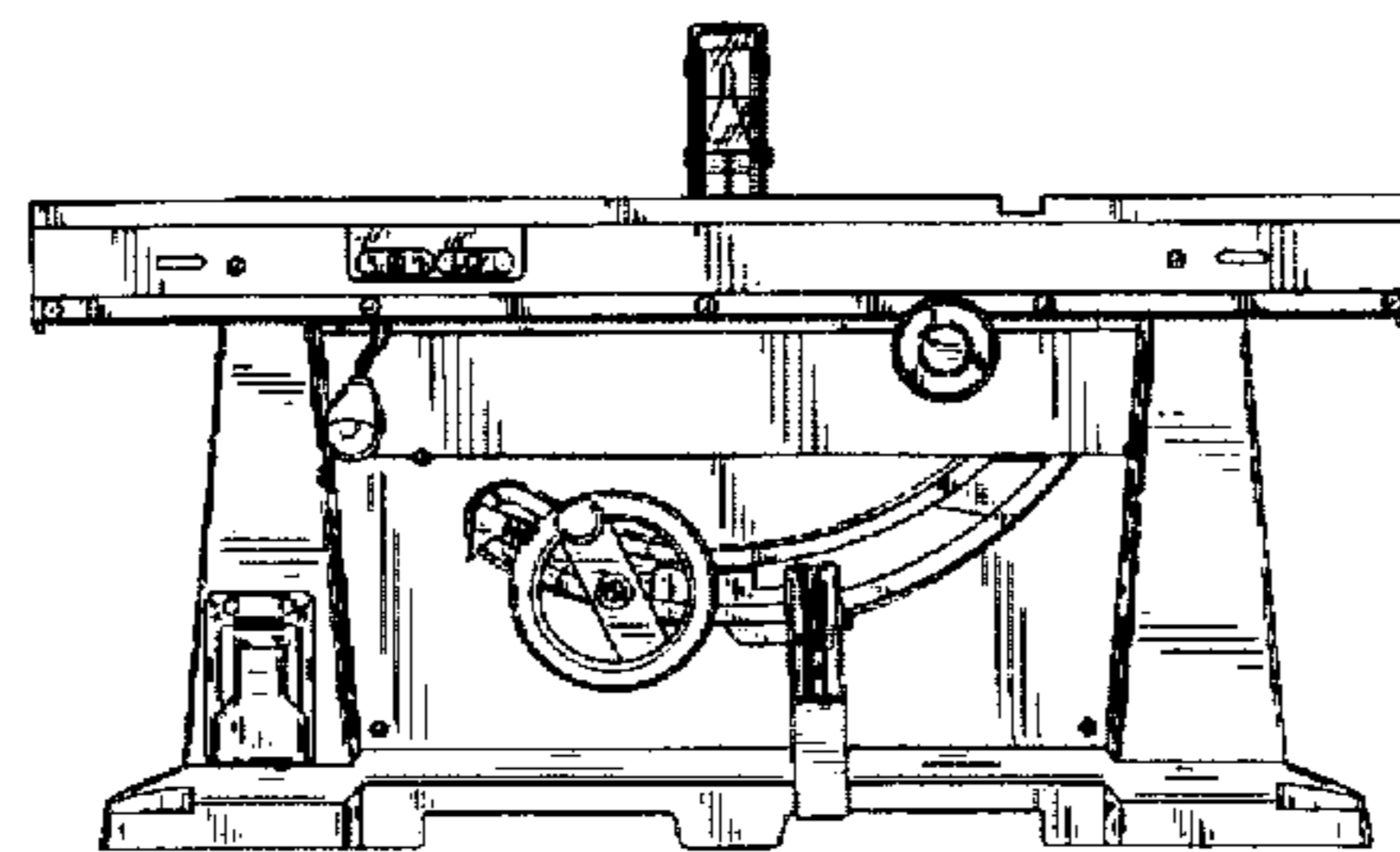
FIG. 8 is a top plan view of the first embodiment with the telescoping rails extended;

FIG. 9 is a right side elevational of a second embodiment of a table saw showing our new design with a fence disposed on the telescoping rails;

FIG. 10 is a front perspective view from the left side of the second embodiment;

FIG. 11 is a top plan view of the second embodiment; and,

FIG. 12 is a left side elevational of a third embodiment of a table saw showing our new design with a miter gauge inserted in a holder.



1 Claim, 12 Drawing Sheets

FIG. 1

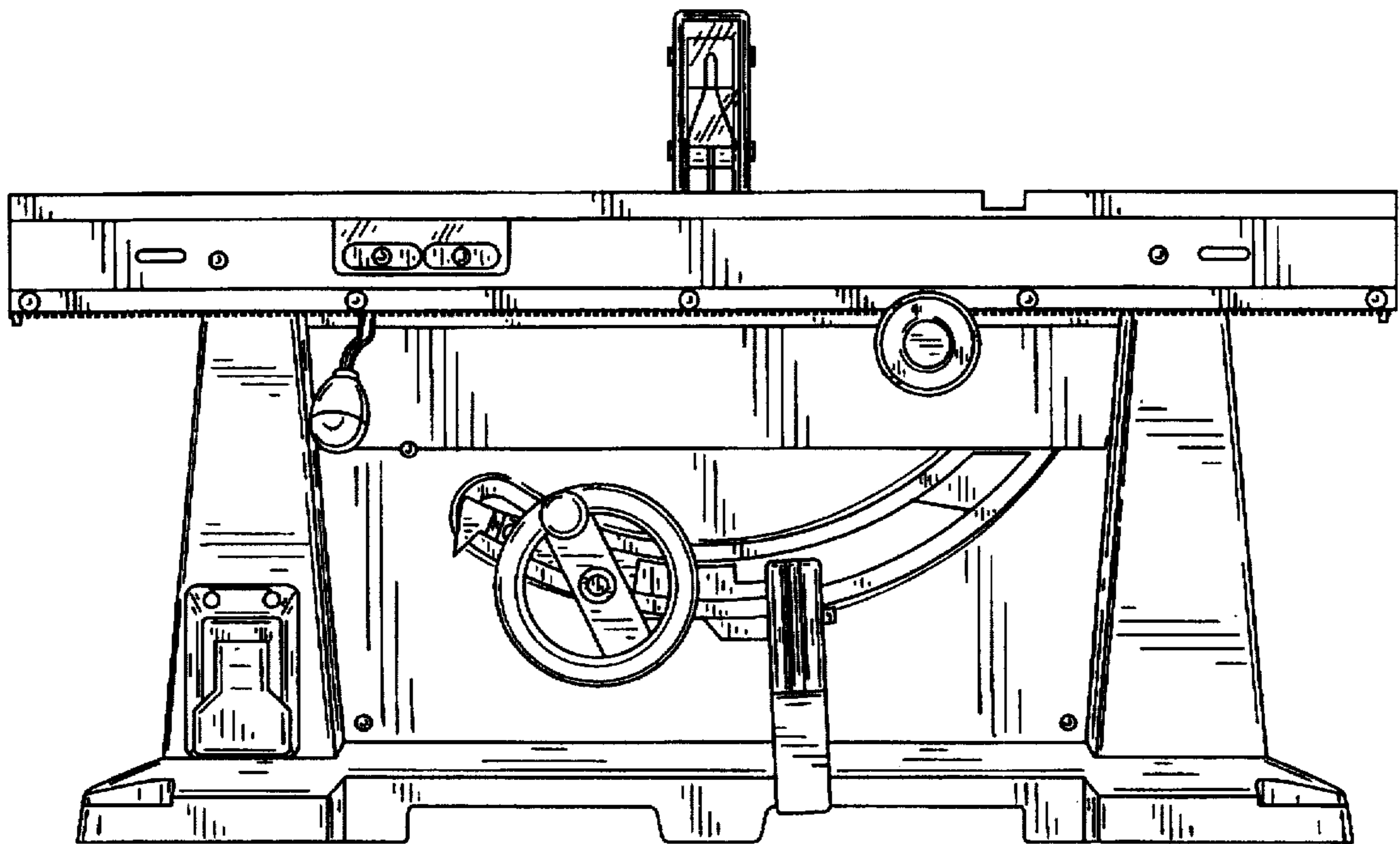


FIG. 2

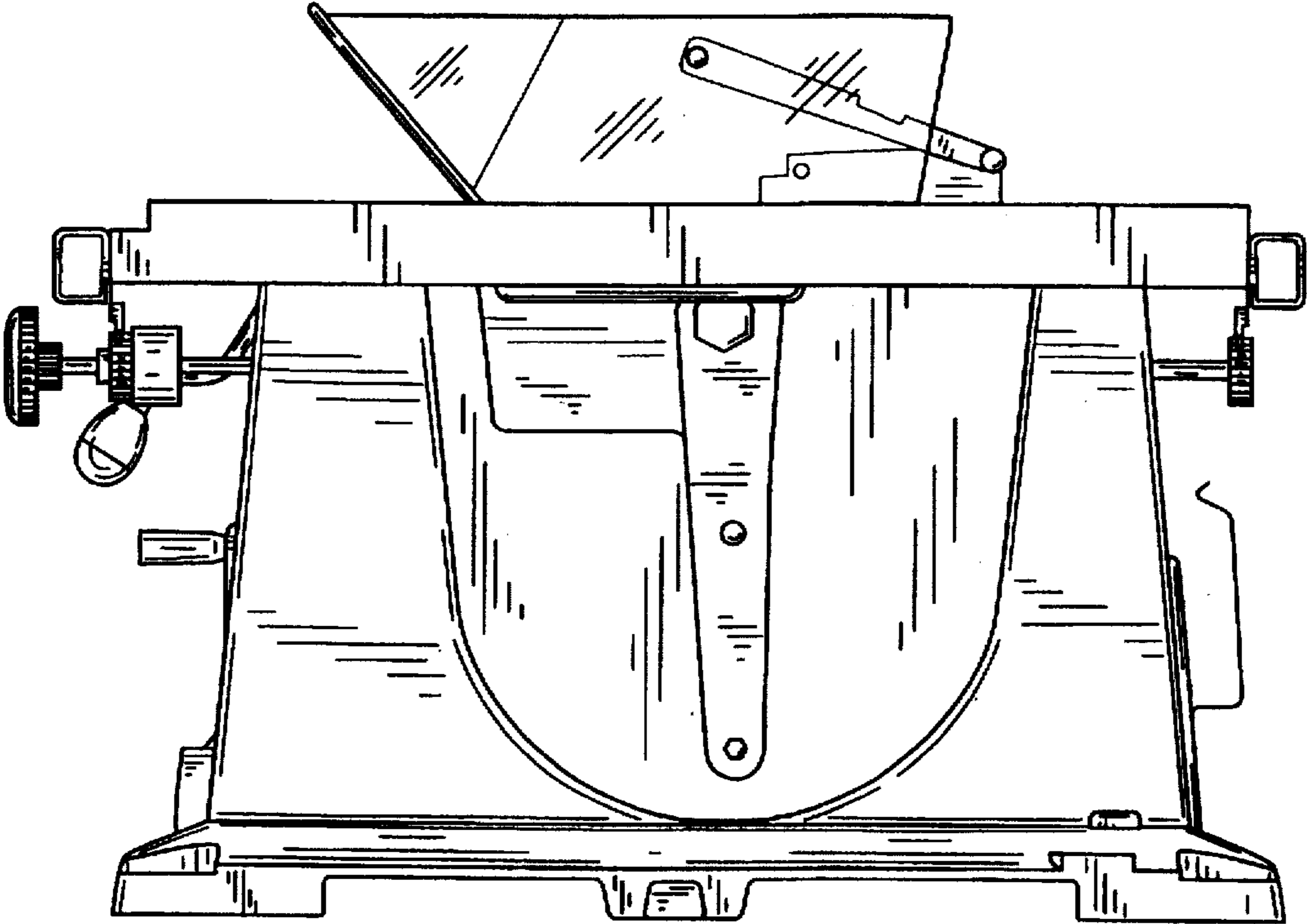


FIG. 3

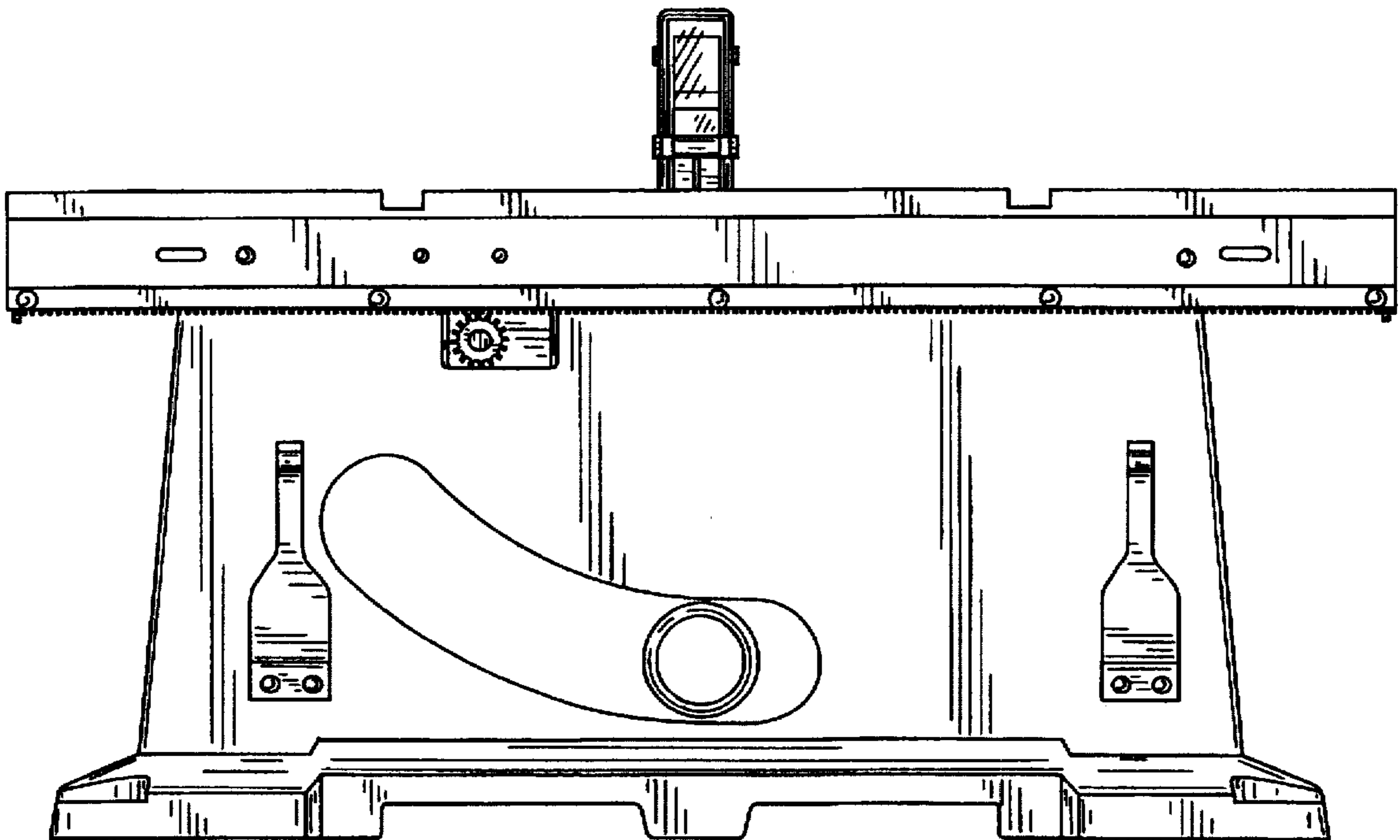


FIG. 4

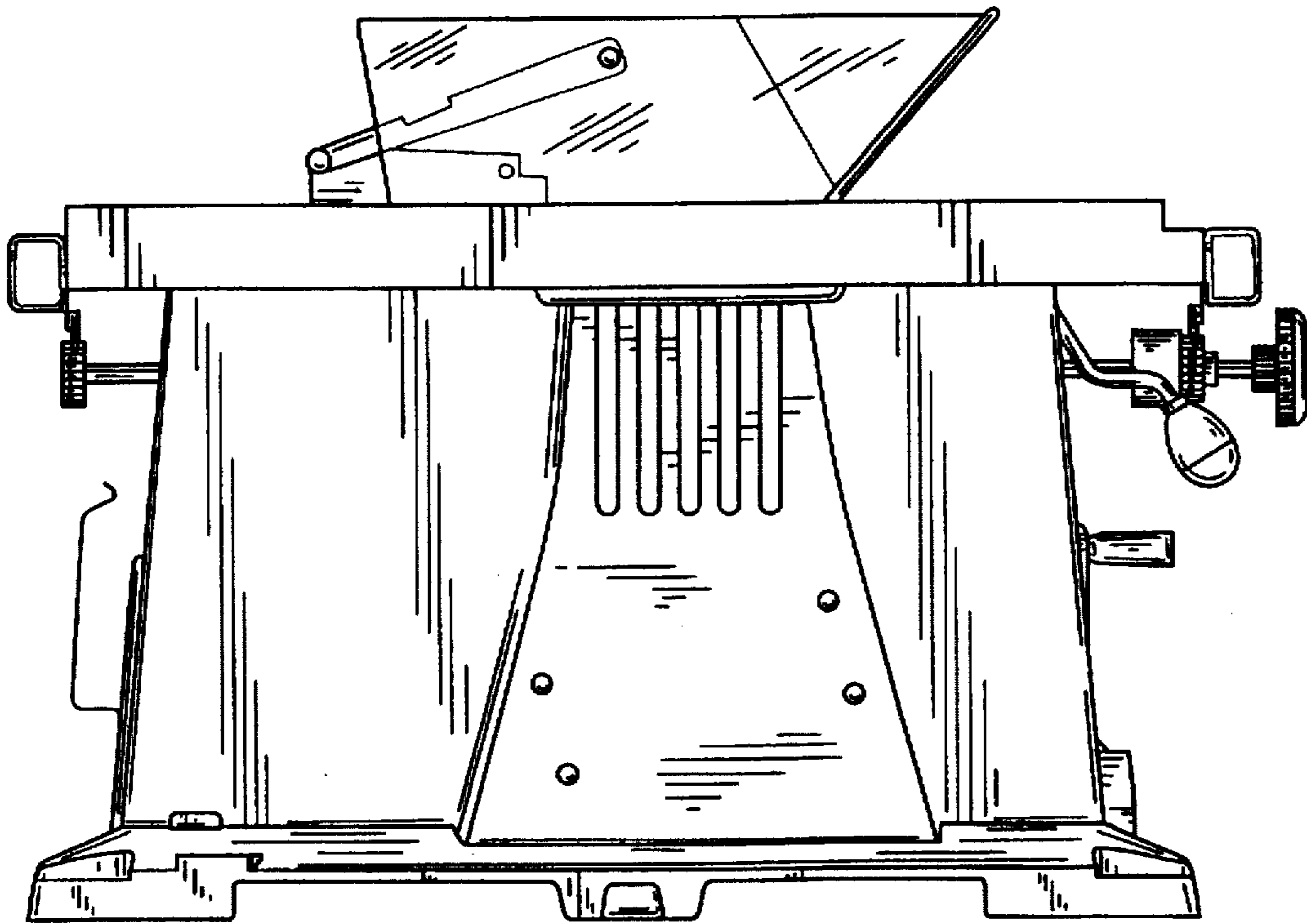


FIG. 5

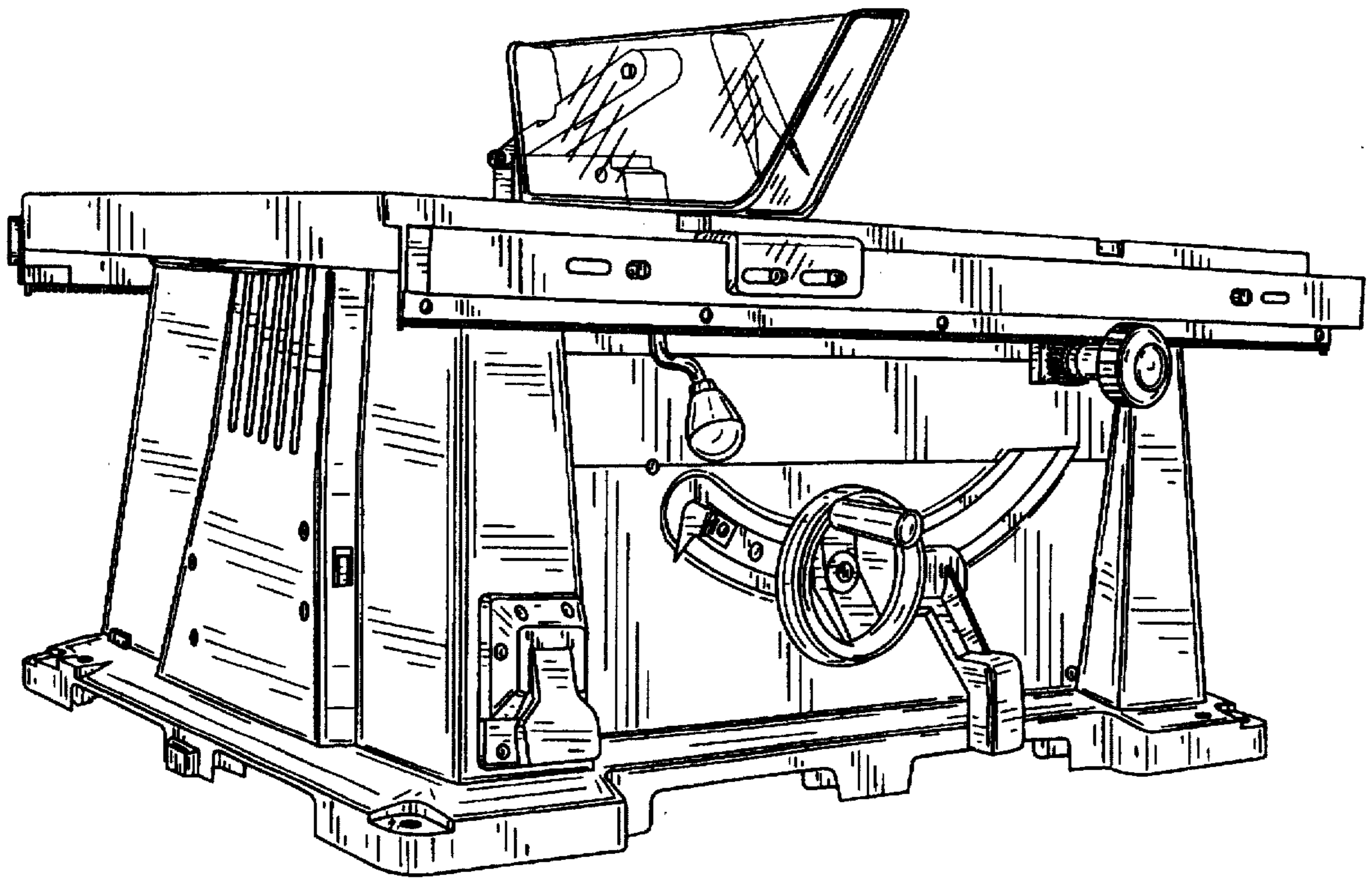


FIG. 6

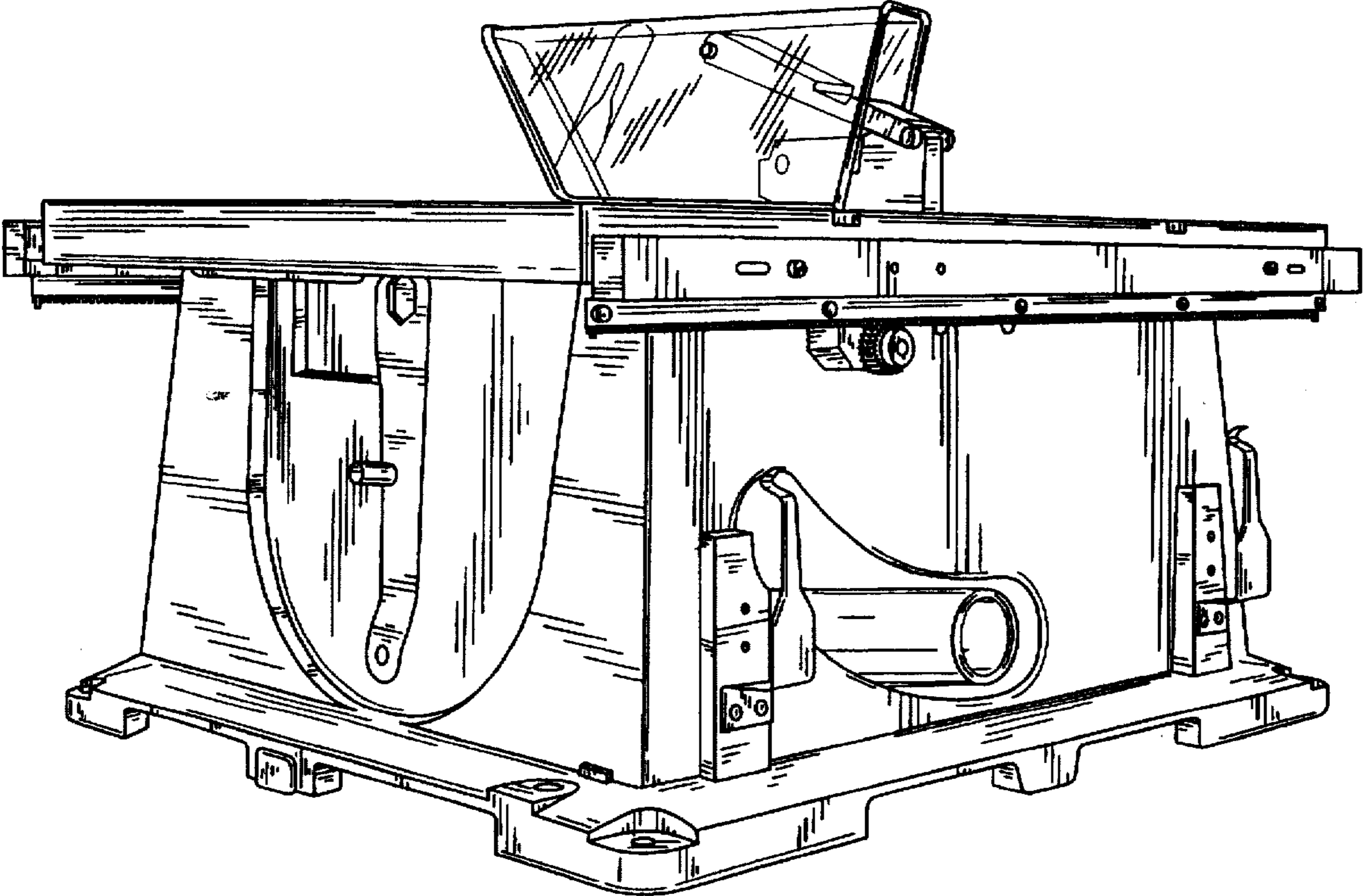


FIG. 7

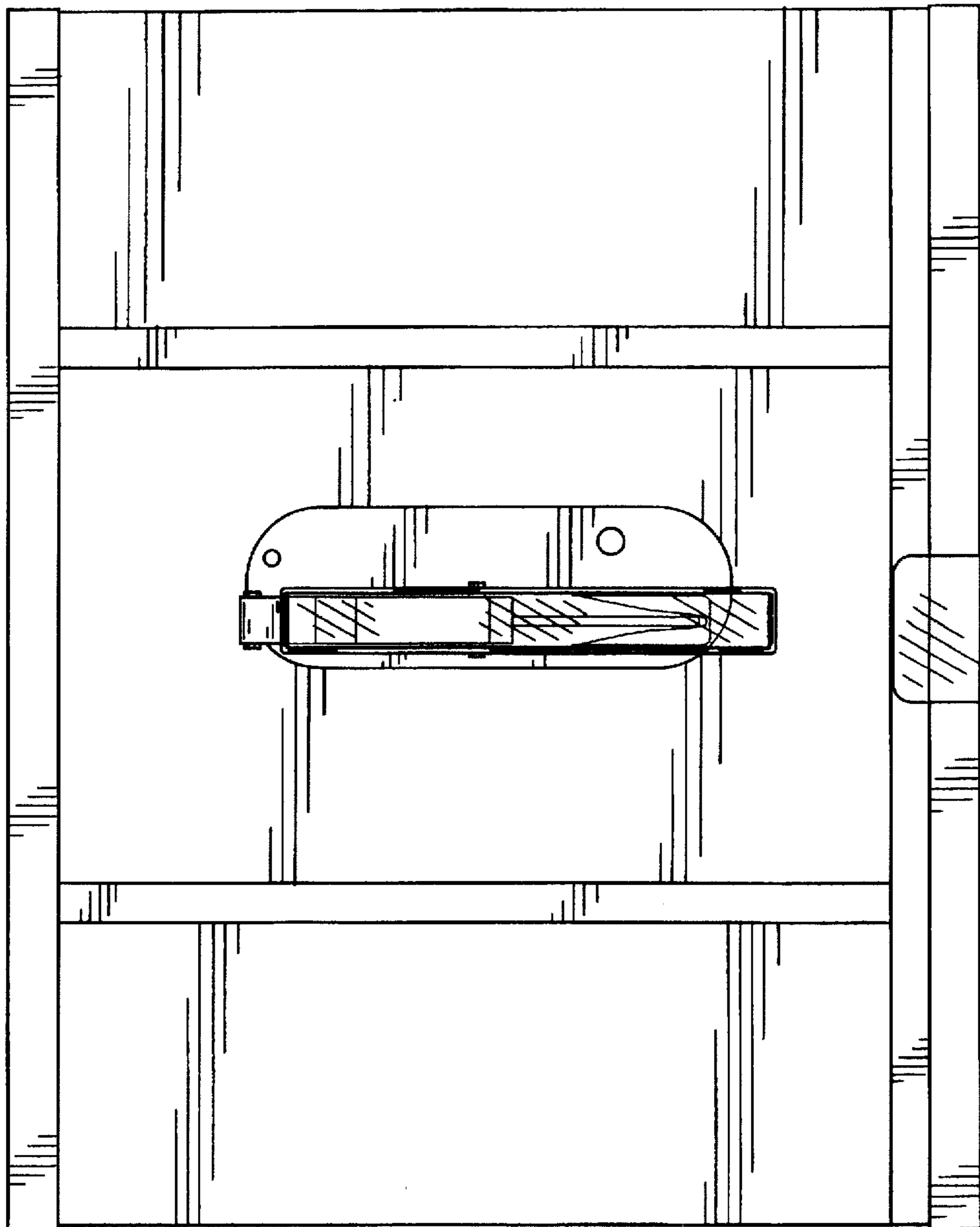


FIG. 8

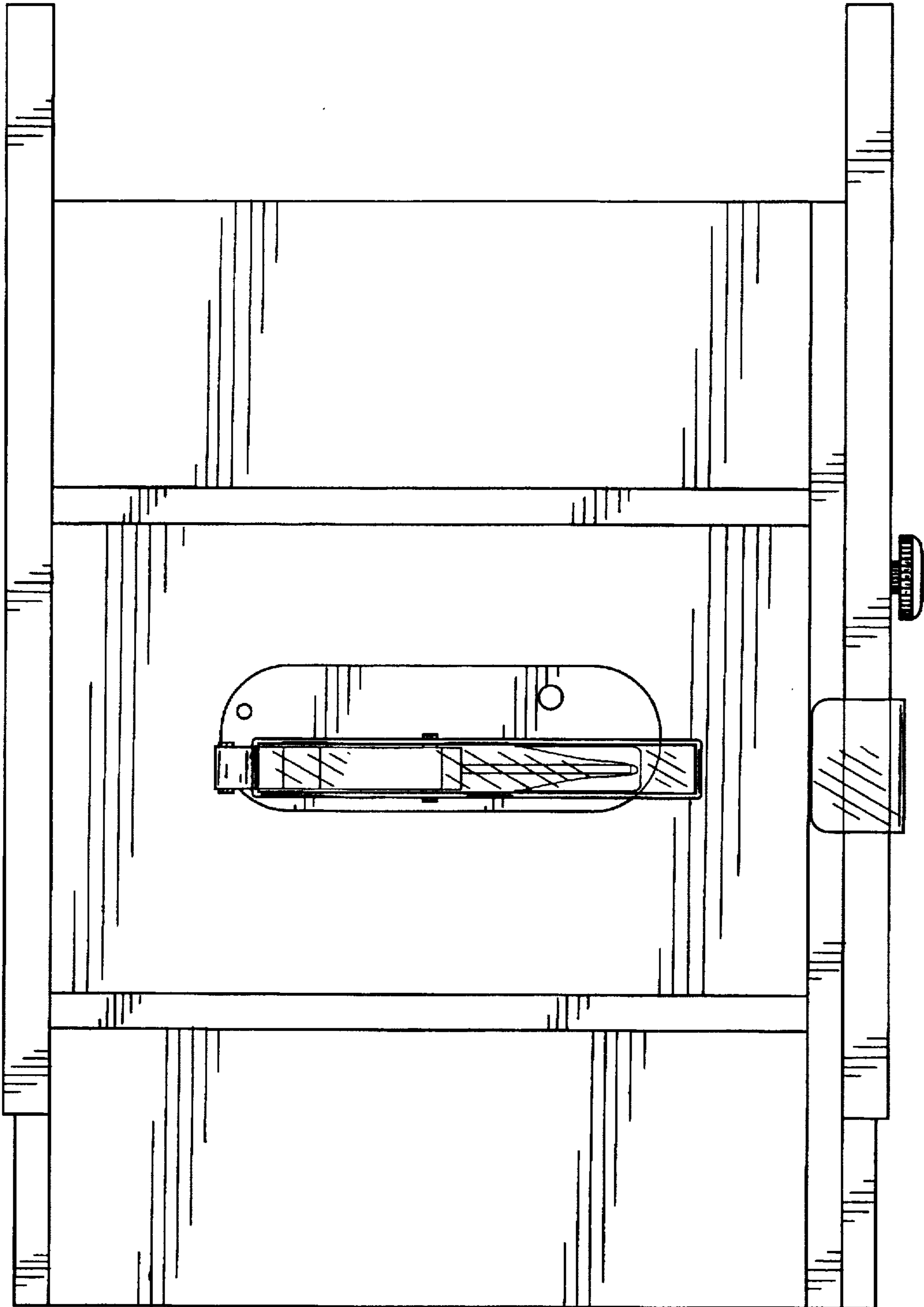


FIG. 9

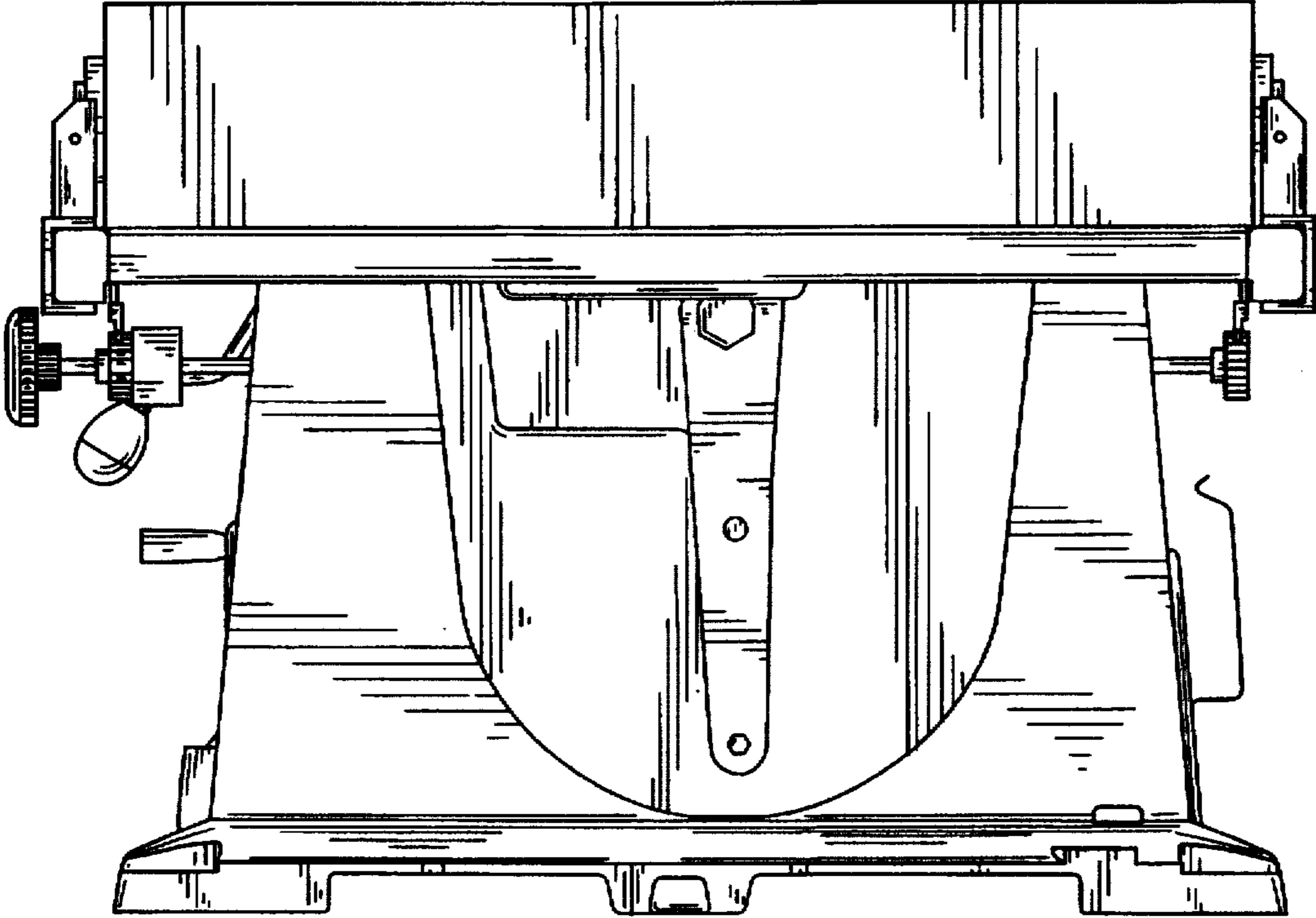


FIG. 10

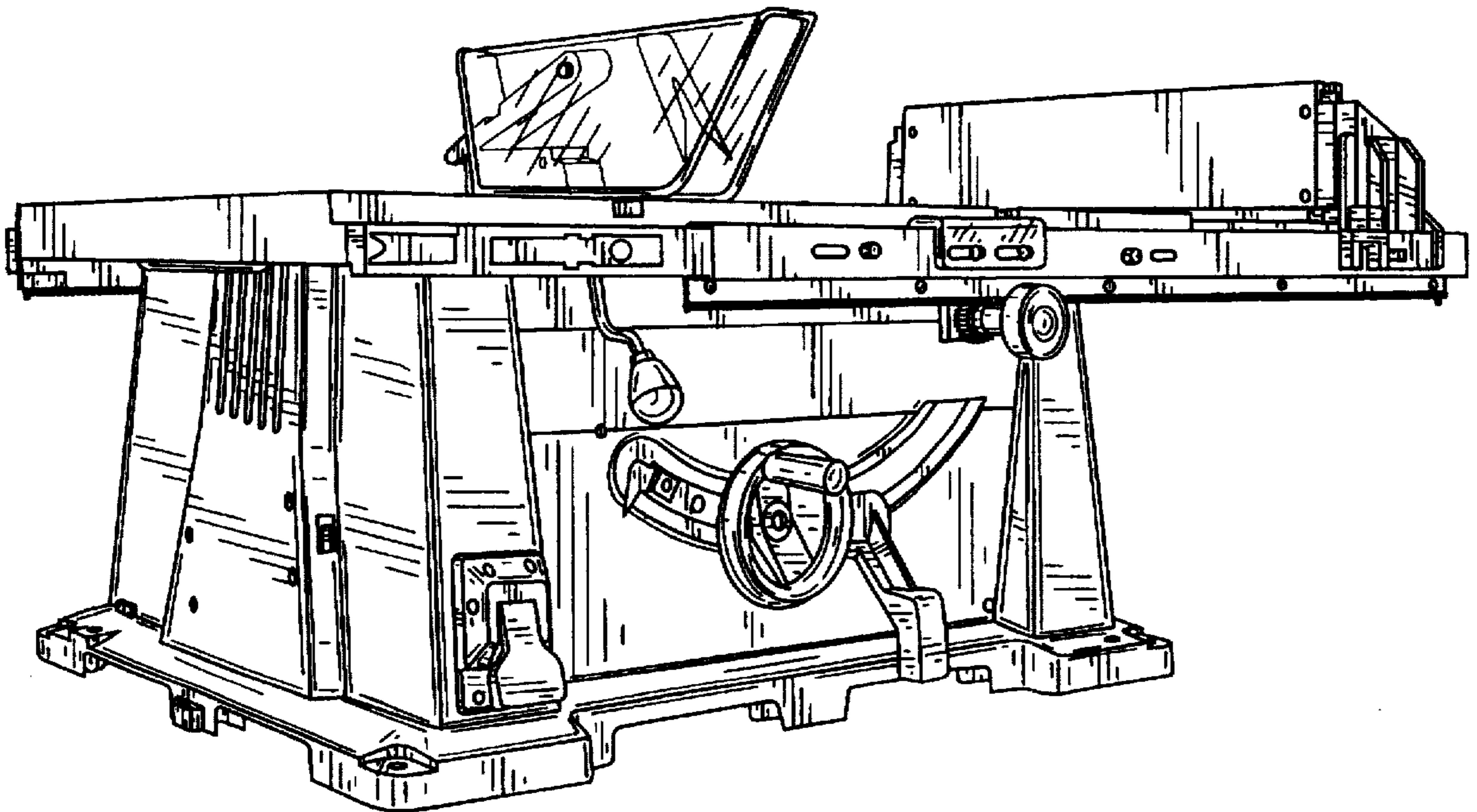


FIG. 11

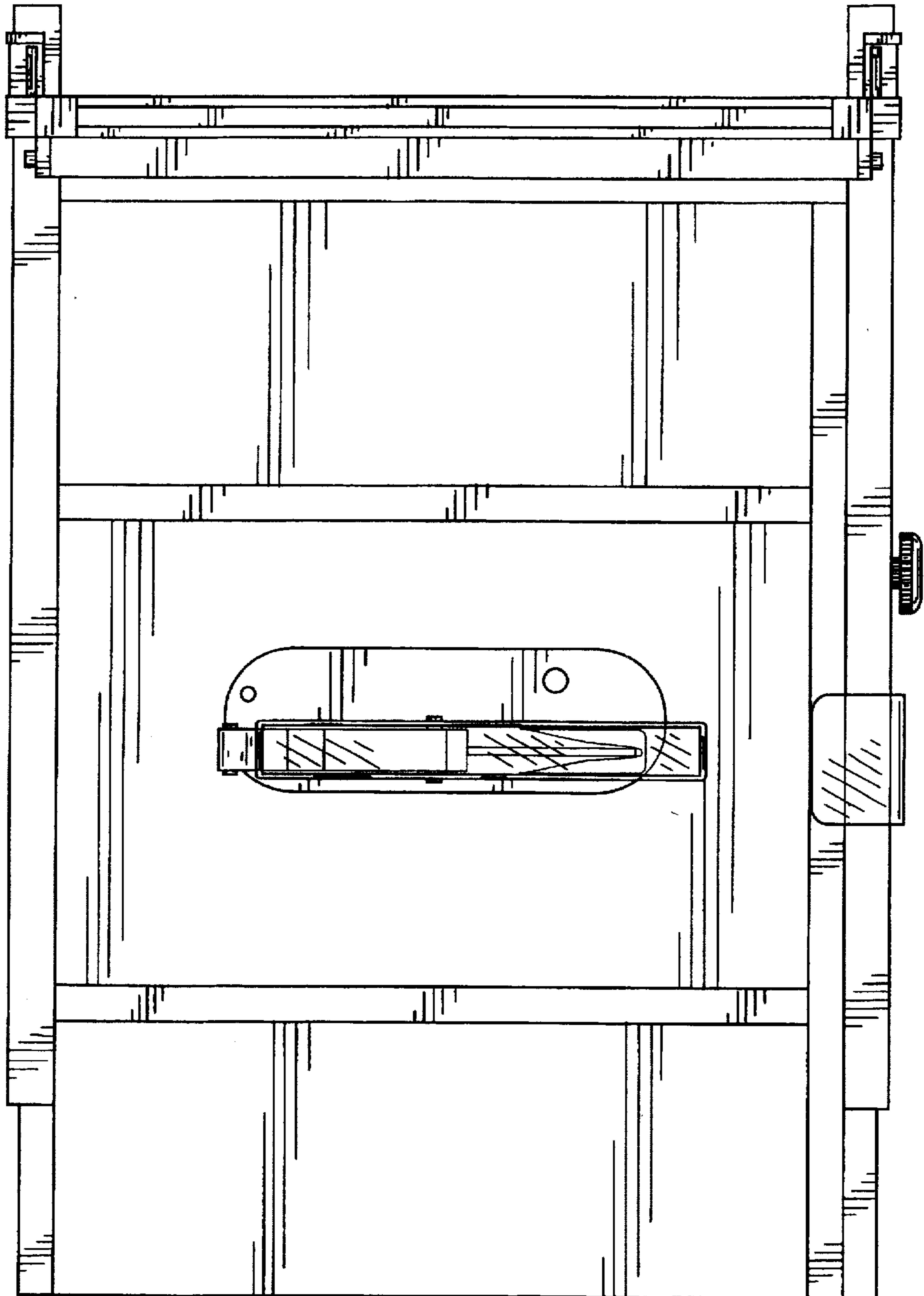


FIG. 12

