



US00D394070S

United States Patent [19]

[11] **Patent Number: Des. 394,070**

Garcia et al.

[45] **Date of Patent: **May 5, 1998**

[54] **PLANER APPARATUS**

[57] **CLAIM**

[75] **Inventors: Jaime E. Garcia, Wexford; David N. Hollinger, Glenshaw, both of Pa.**

The ornamental design for a planer apparatus, as shown and described.

[73] **Assignee: Delta International Machinery Corp., Pittsburgh, Pa.**

DESCRIPTION

[**] **Term: 14 Years**

FIG. 1 is a front perspective view of a planer apparatus showing our new design with the pivotal tables thereof in an extended position;

[21] **Appl. No.: 58,266**

FIG. 2 is a front elevational view of the planer apparatus of FIG. 1;

[22] **Filed: Aug. 9, 1996**

FIG. 3 is a rear elevational view of the planer apparatus of FIG. 1;

[51] **LOC (6) Cl. 15-09**

FIG. 4 is a top view of the planer apparatus of FIG. 1;

[52] **U.S. Cl. D15/124**

FIG. 5 is a bottom view of the planer apparatus of FIG. 1;

[58] **Field of Search D15/124; 144/117.1, 144/117.2, 117.3, 117.4, 131; 451/296-301, 456**

FIG. 6 is a left side elevational view of the planer apparatus of FIG. 1;

FIG. 7 is a right side elevational view of the planer apparatus of FIG. 1; and,

[56] **References Cited**

FIG. 8 is a rear perspective view of the planer apparatus of FIG. 1.

U.S. PATENT DOCUMENTS

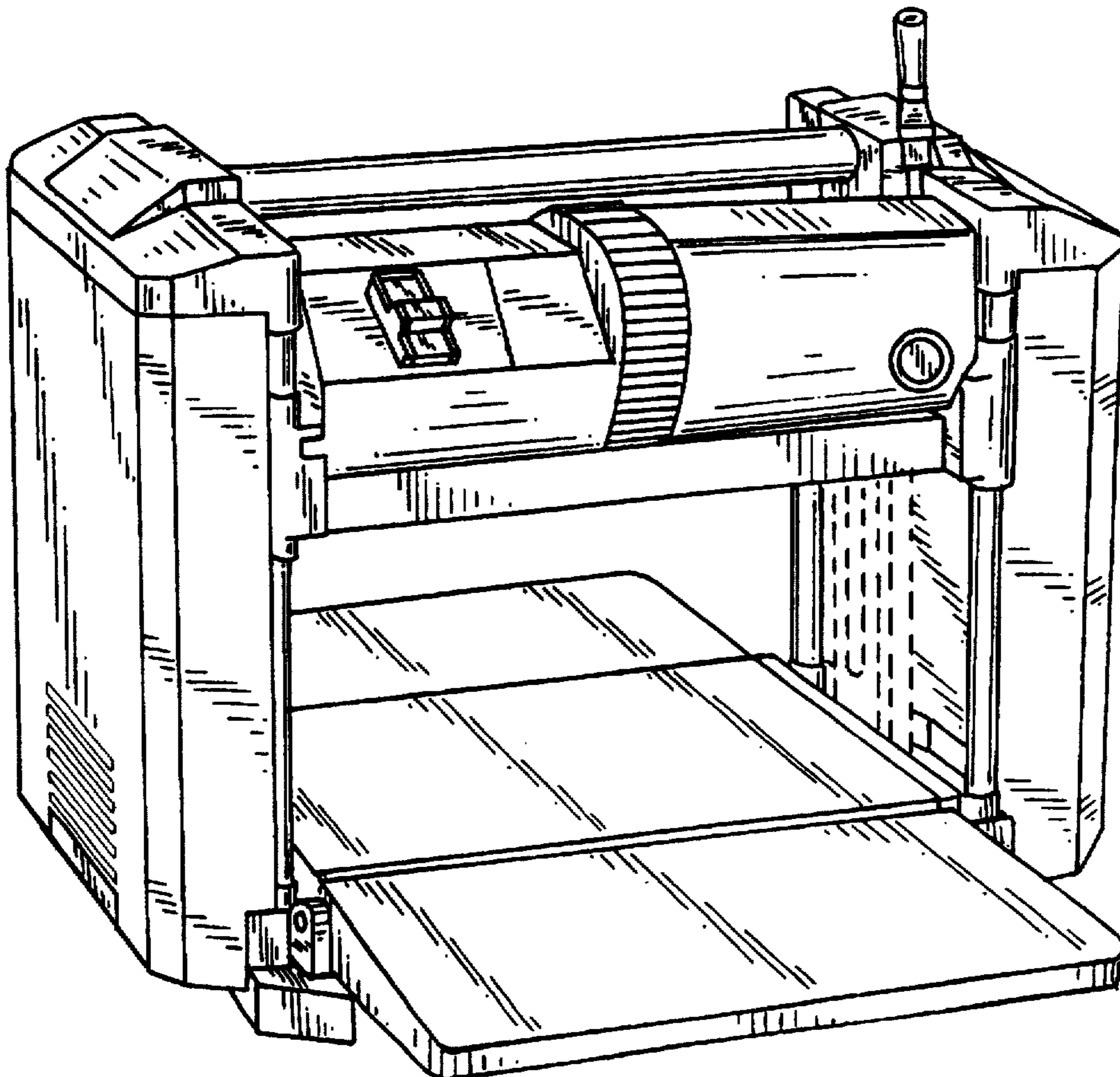
The broken line showing is for illustrative purposes only and forms no part of the claimed design.

D. 341,843 11/1993 Miller, Jr. D15/124

Primary Examiner—Antoine Duval Davis

Attorney, Agent, or Firm—Kirkpatrick & Lockhart LLP

1 Claim, 6 Drawing Sheets



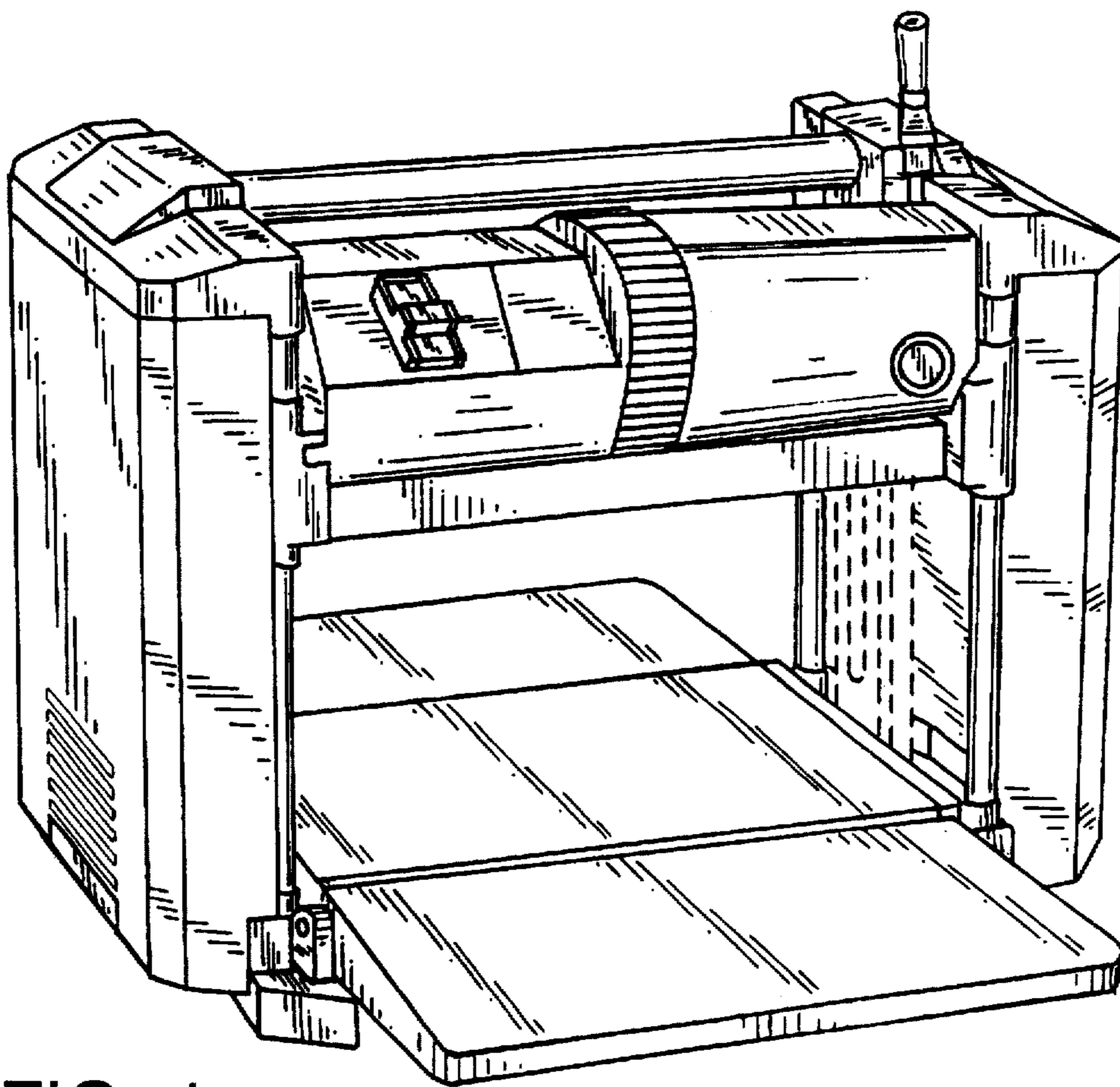


FIG. 1

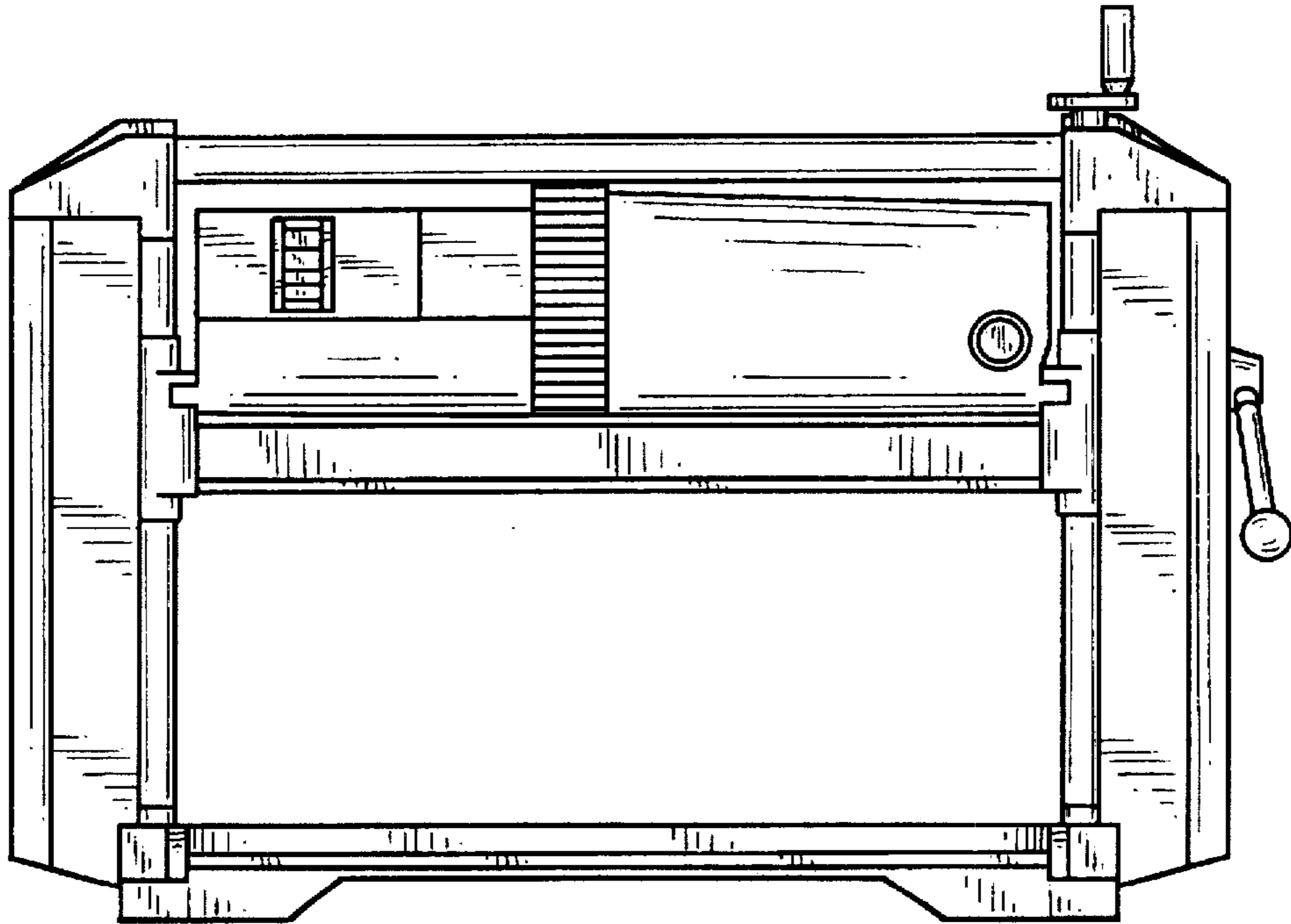


FIG. 2

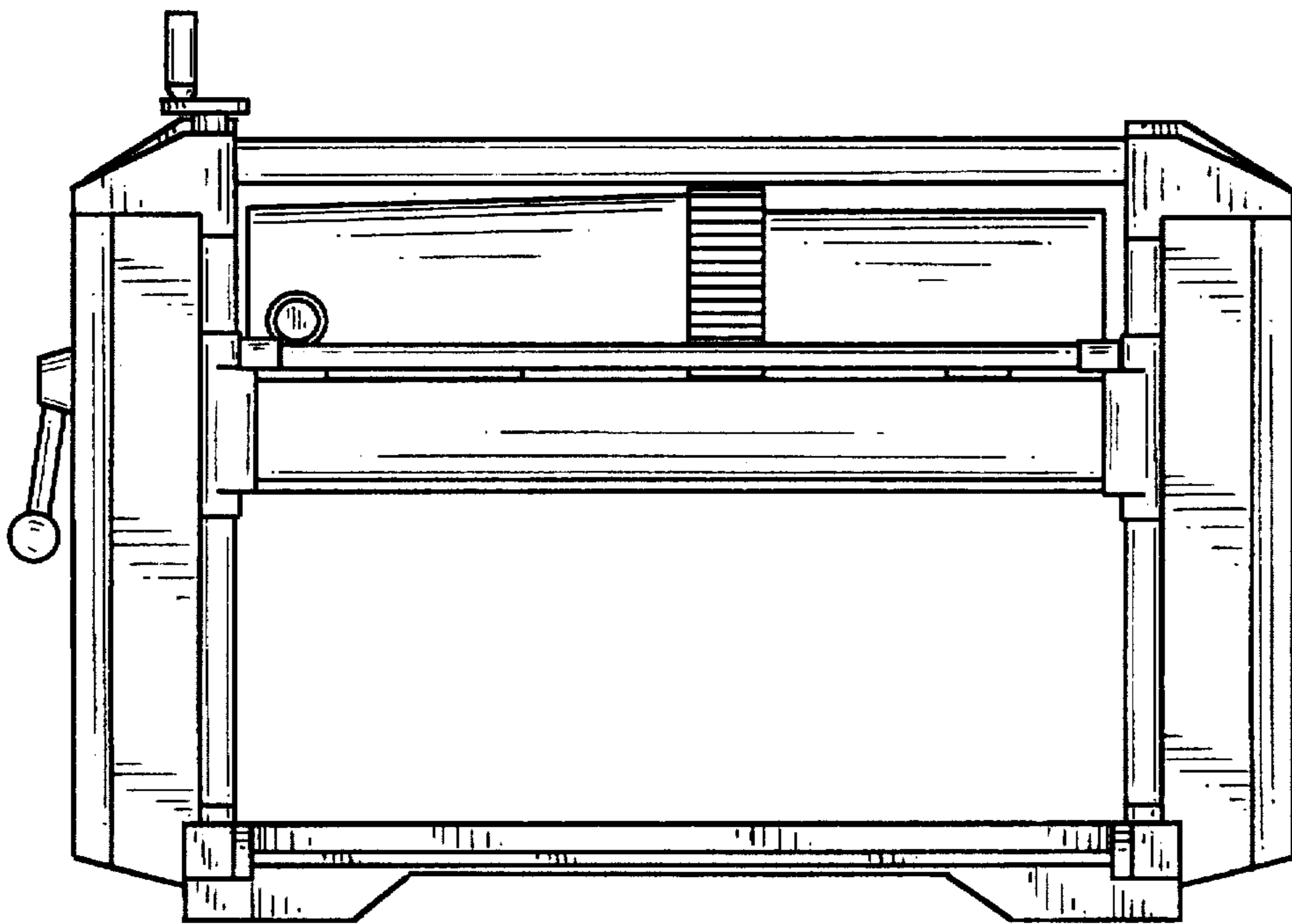


FIG. 3

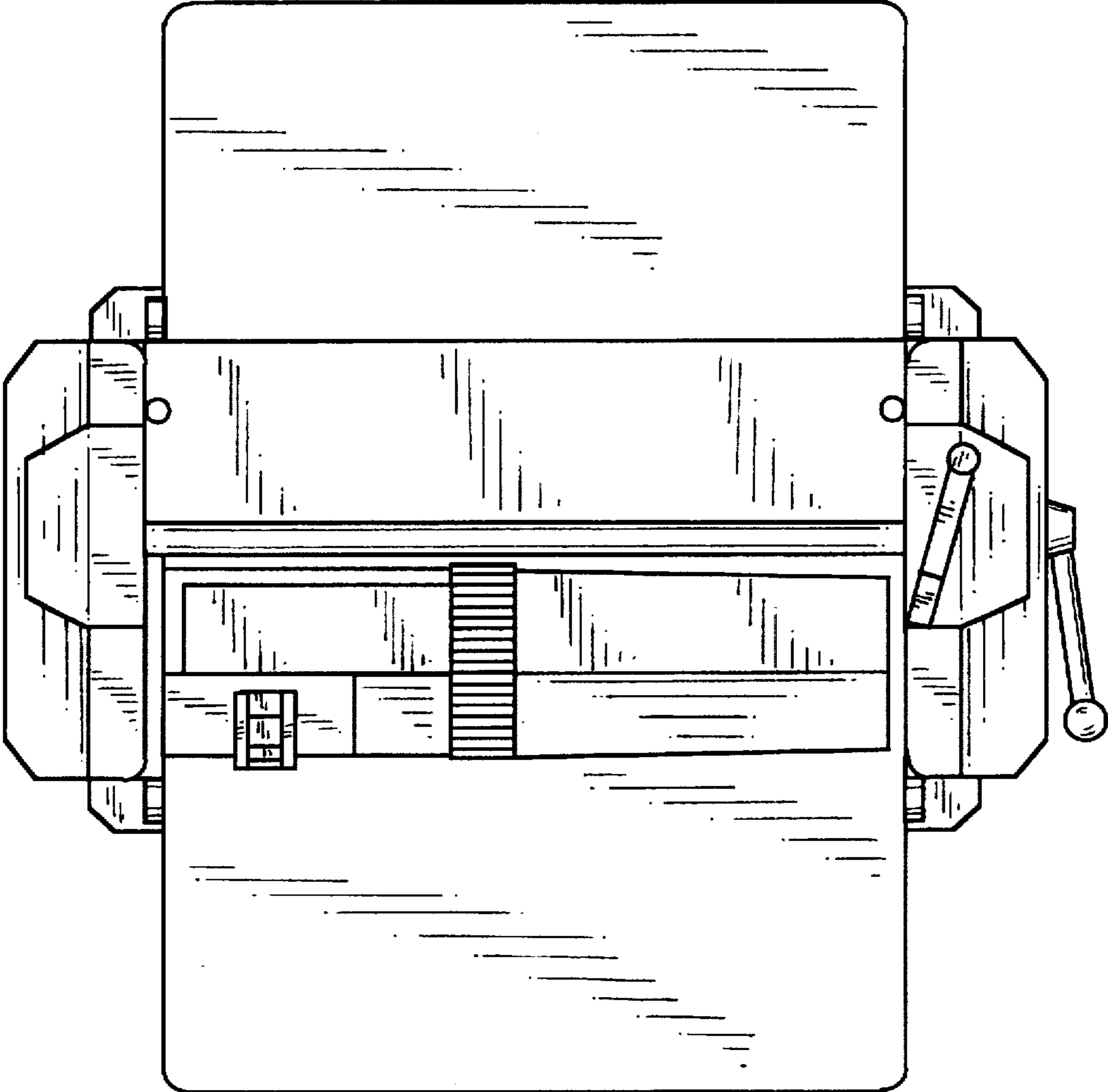


FIG. 4

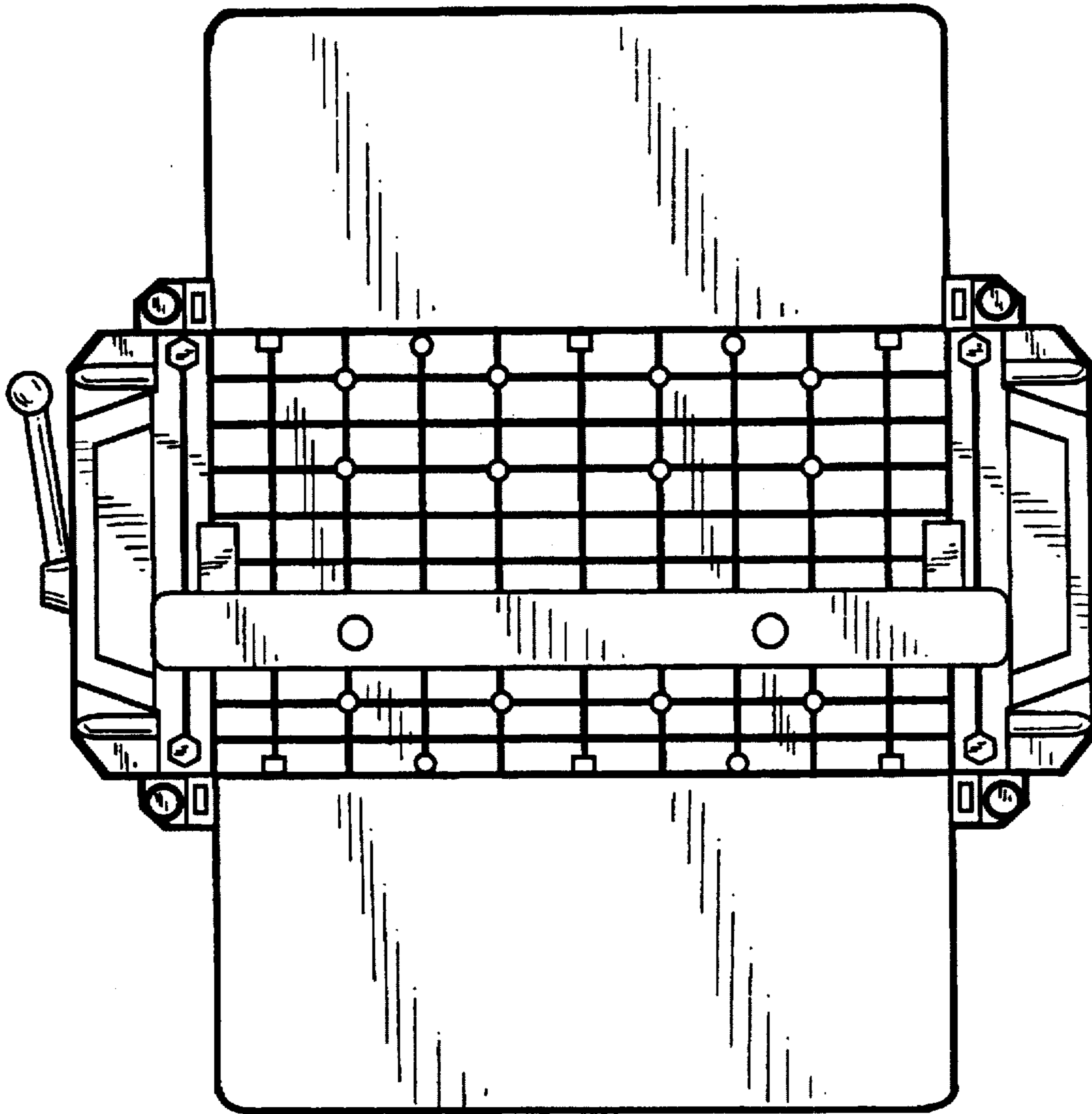


FIG. 5

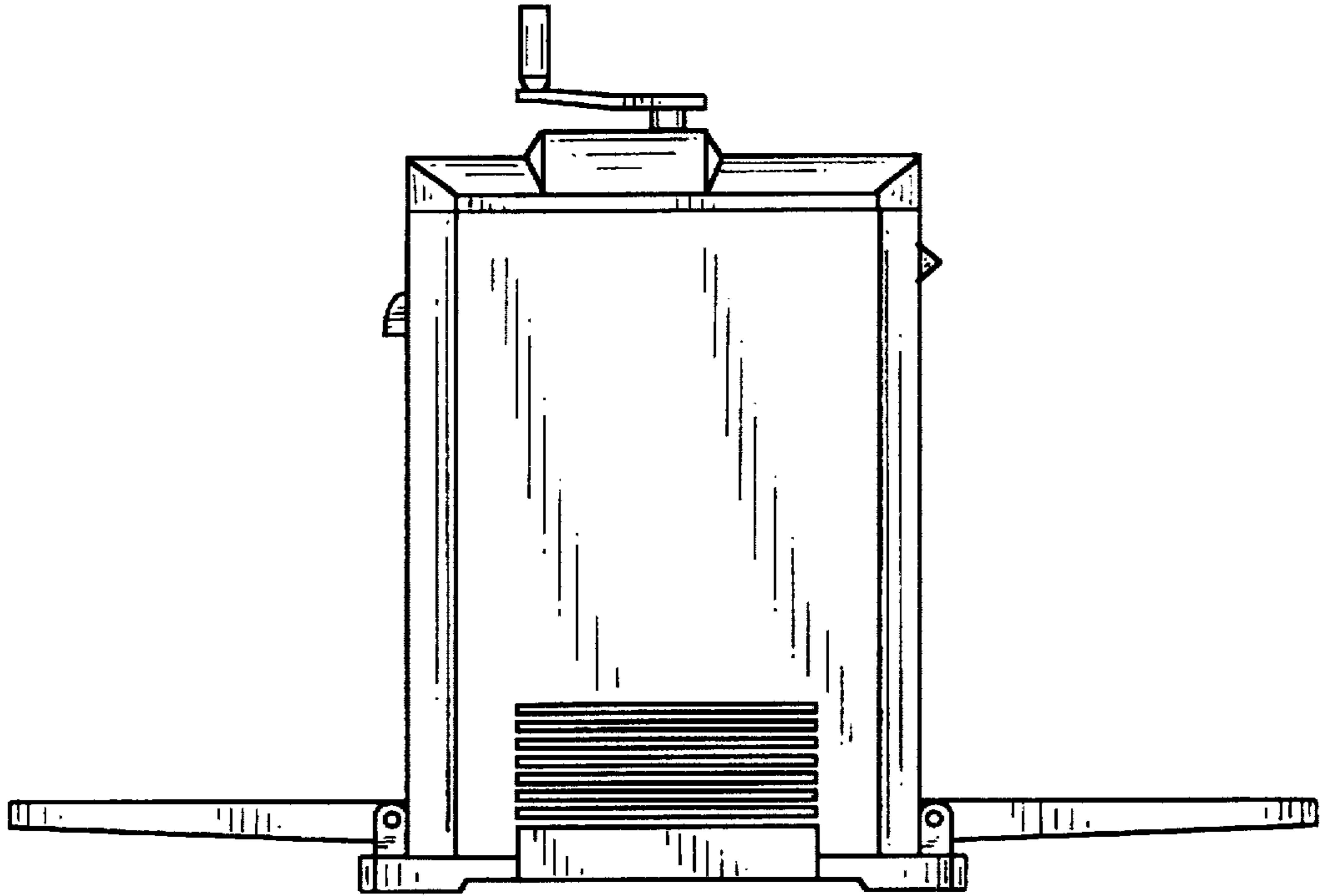


FIG. 6

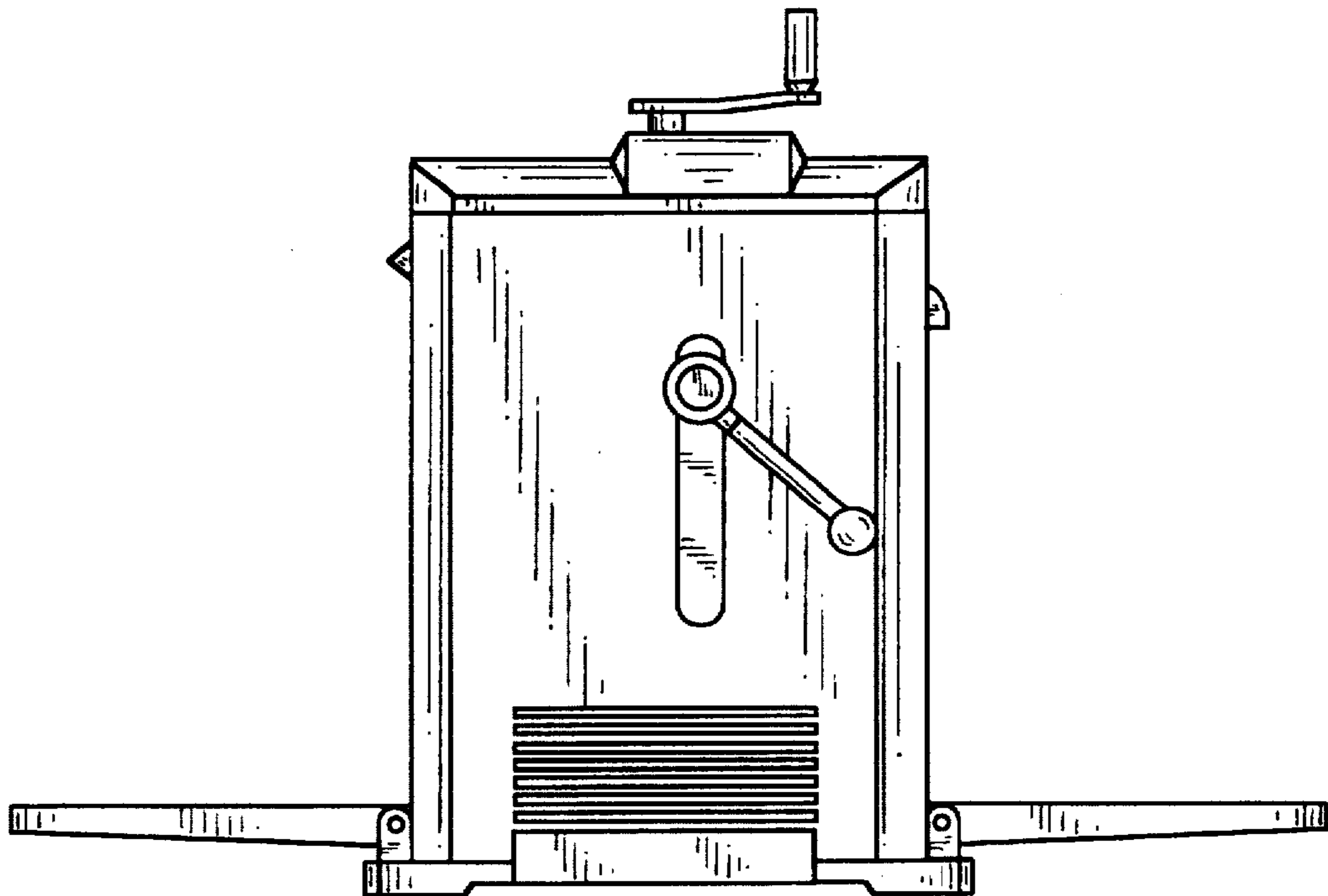


FIG. 7

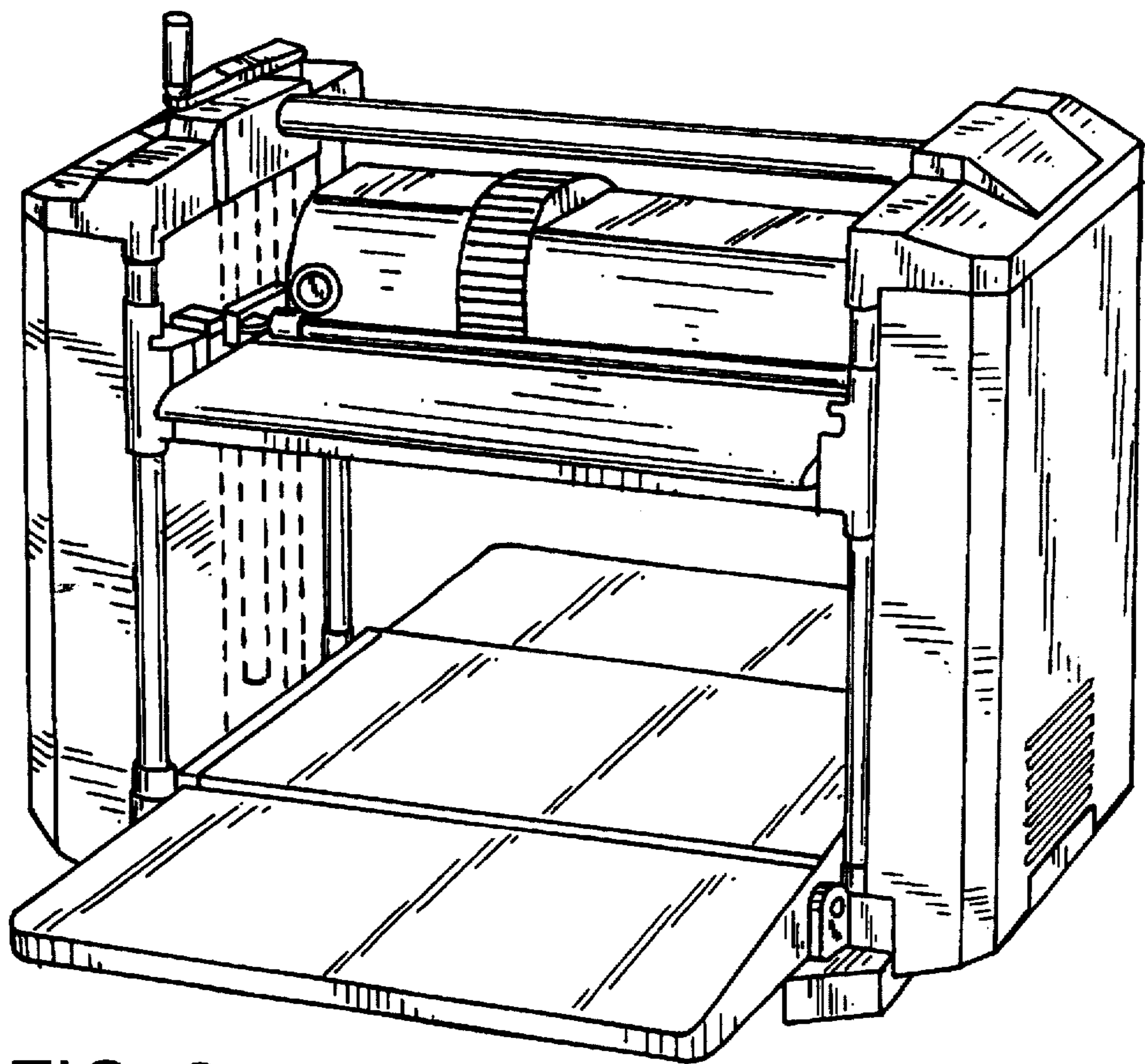


FIG. 8