



US00D394068S

United States Patent [19]

Pollrich et al.

[11] Patent Number: Des. 394,068

[45] Date of Patent: **May 5, 1998

[54] COMPRESSOR

[75] Inventors: Volker Pollrich, Schkeuditz; Helmut Barowsky, Bergfelde, both of Germany

[73] Assignee: Bitzer Kuehlmaschinenbau GmbH & Co. KG, Sindelfingen, Germany

[**] Term: 14 Years

[21] Appl. No.: 74,050

[22] Filed: Jul. 23, 1997

[30] Foreign Application Priority Data

Jan. 31, 1997 [DE] Germany 97 01 084.7

[51] LOC (6) Cl. 15-02

[52] U.S. Cl. D15/9

[58] Field of Search D15/7-9; 417/83, 417/187, 188, 234, 360, 462, 552, 390, 410, 900

[56] References Cited

U.S. PATENT DOCUMENTS

D. 301,887	6/1989	Price et al.	D15/7
D. 335,291	5/1993	Schnell	D15/7
D. 340,458	10/1993	Wang	D15/7
D. 352,041	11/1994	Hansen	D15/9
D. 354,753	1/1995	Turner, III et al.	D15/7
D. 375,505	11/1996	Wong	D15/9
5,040,950	8/1991	Dalquist, III et al.	417/234

Primary Examiner—Ralf Seifert
Attorney, Agent, or Firm—Barry R. Lipsitz

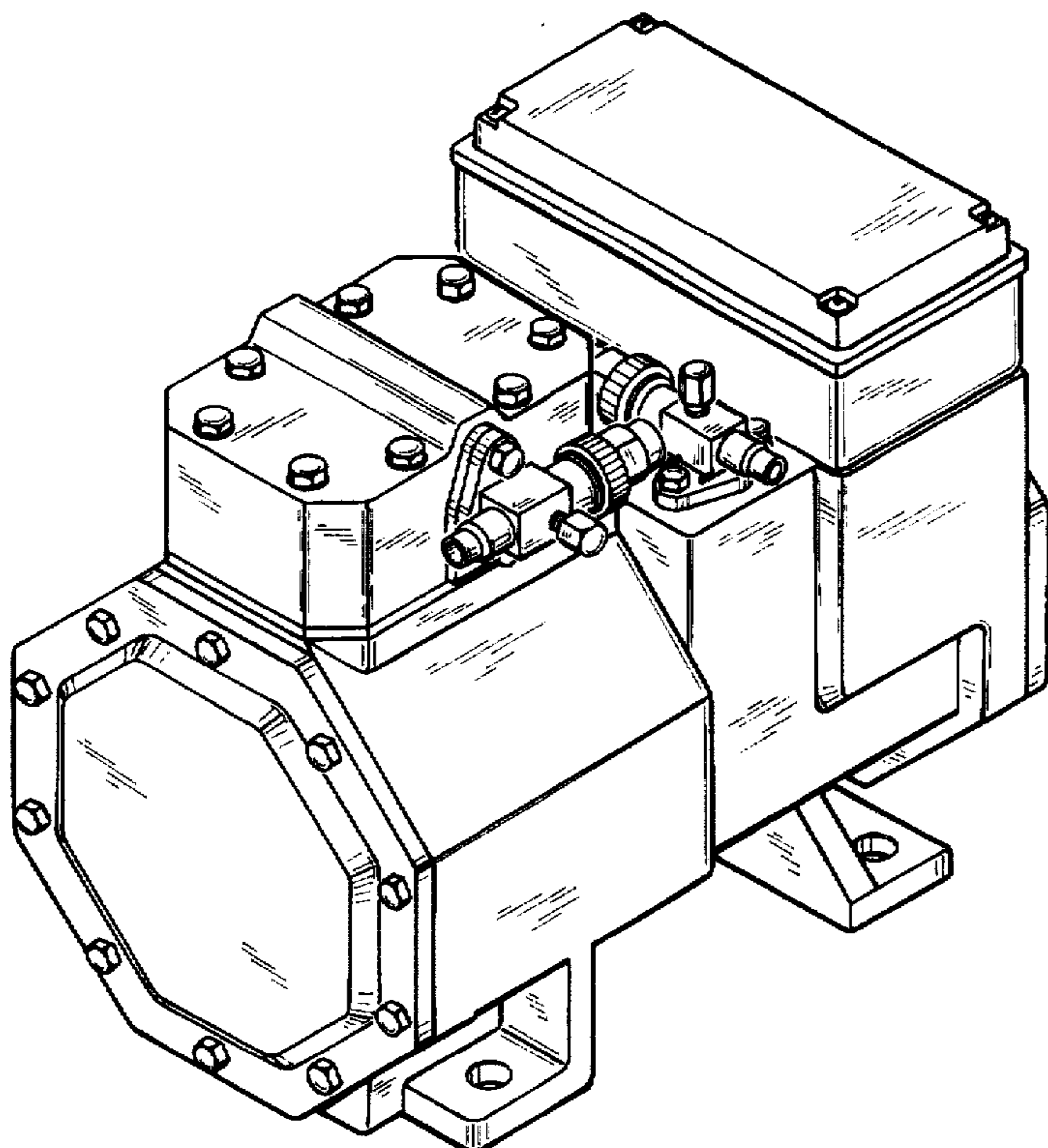
[57] CLAIM

The ornamental design for a compressor, as shown and described.

DESCRIPTION

FIG. 1 is a front view of a compressor showing my new design;
 FIG. 2 is a top view of the first embodiment;
 FIG. 3 is a right side view of the first embodiment;
 FIG. 4 is a left side view of the first embodiment;
 FIG. 5 is a back view of the first embodiment;
 FIG. 6 is a bottom view of the first embodiment;
 FIG. 7 is a perspective view of the first embodiment from the front left side;
 FIG. 8 is a front view of a compressor showing a second embodiment of my new design;
 FIG. 9 is a right side view of the second embodiment;
 FIG. 10 is a back view of the second embodiment;
 FIG. 11 is a bottom view of the second embodiment;
 FIG. 12 is a perspective view of the second embodiment from the front left side;
 FIG. 13 is a front view of a compressor showing a third embodiment of my new design;
 FIG. 14 is a top view of the third embodiment;
 FIG. 15 is a right side view of the third embodiment;
 FIG. 16 is a left side view of the third embodiment;
 FIG. 17 is a back view of the third embodiment;
 FIG. 18 is a bottom view of the third embodiment; and,
 FIG. 19 is a perspective view of the third embodiment from the front left side.

1 Claim, 19 Drawing Sheets



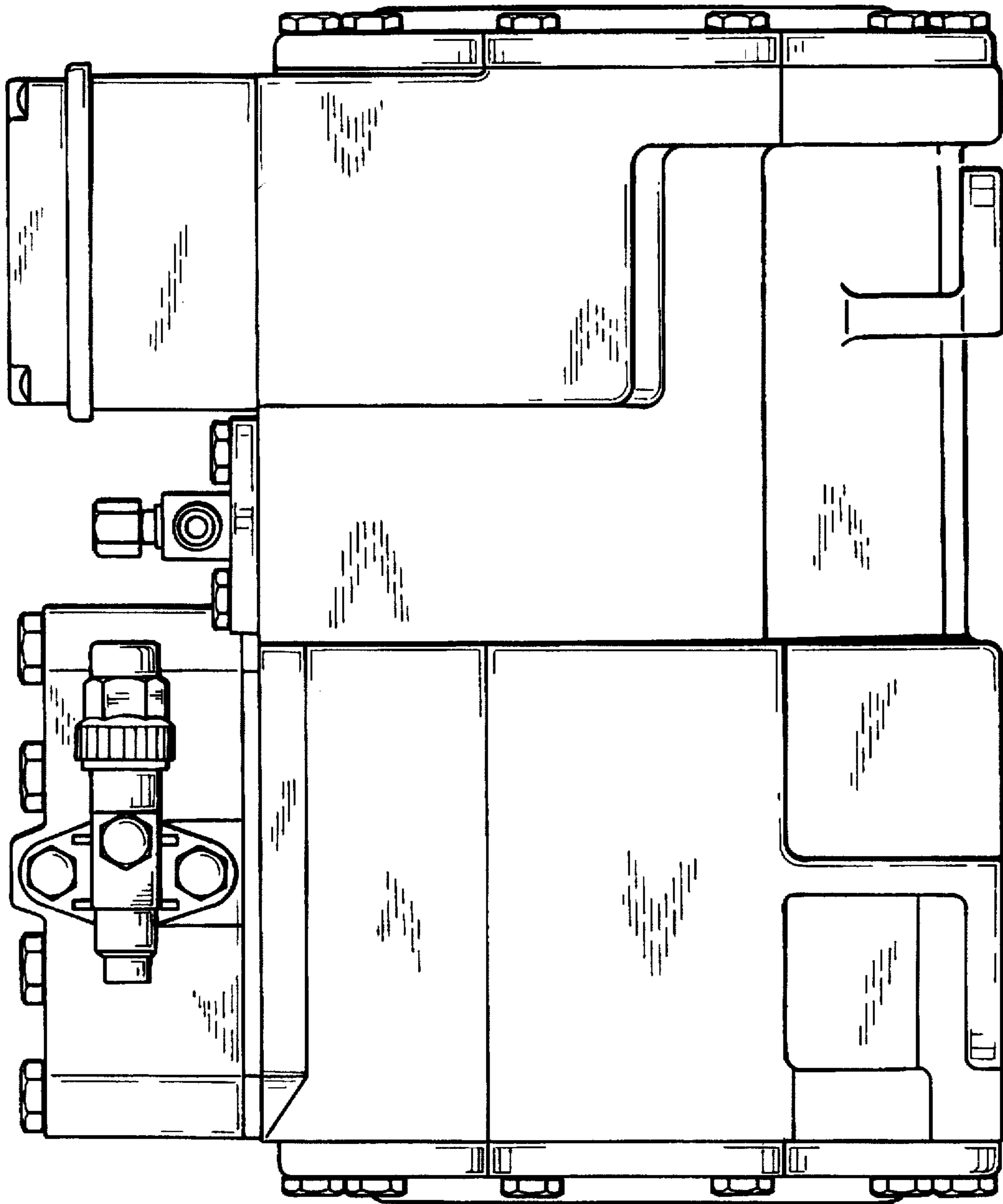


FIG.1

FIG. 3

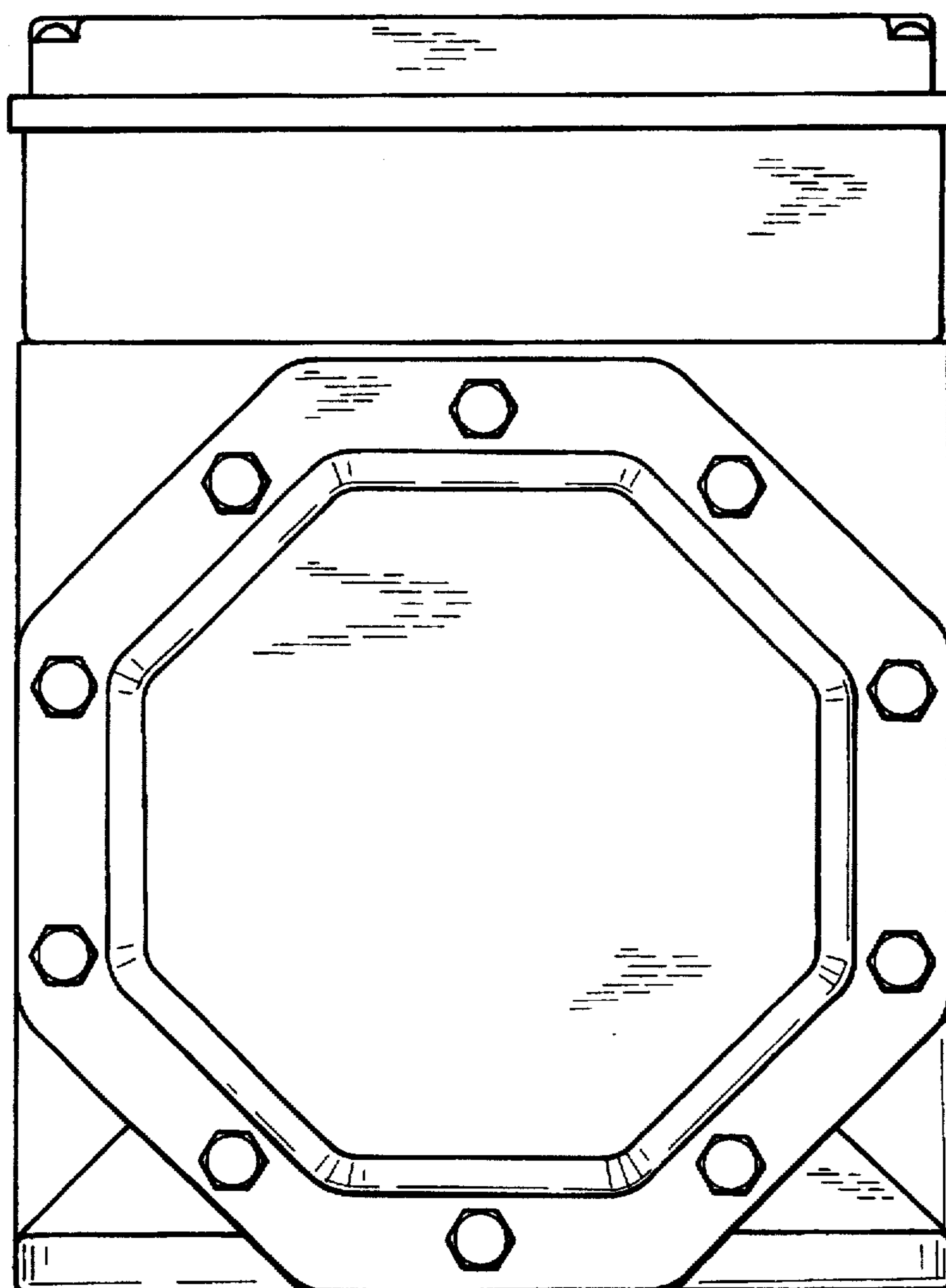
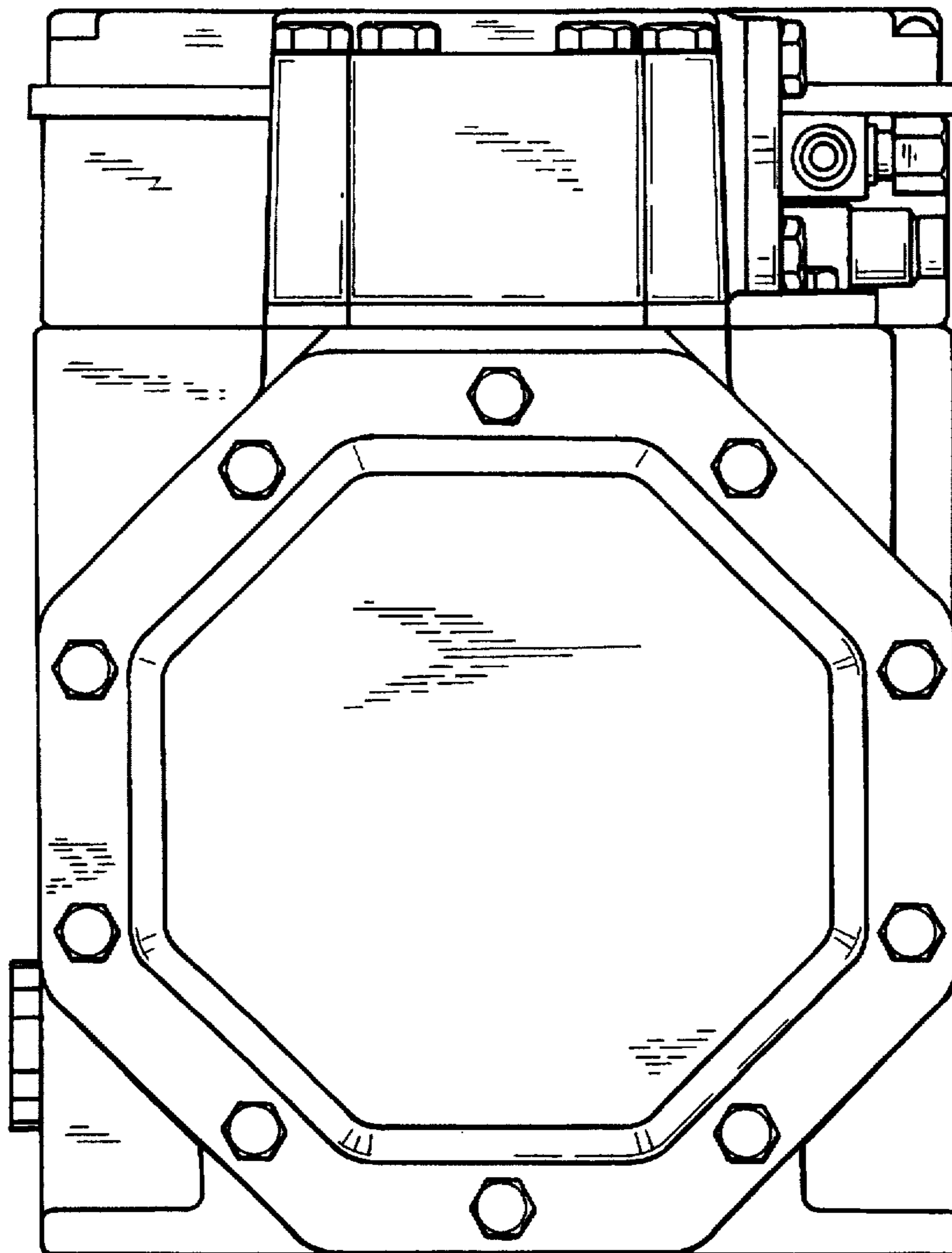


FIG. 4



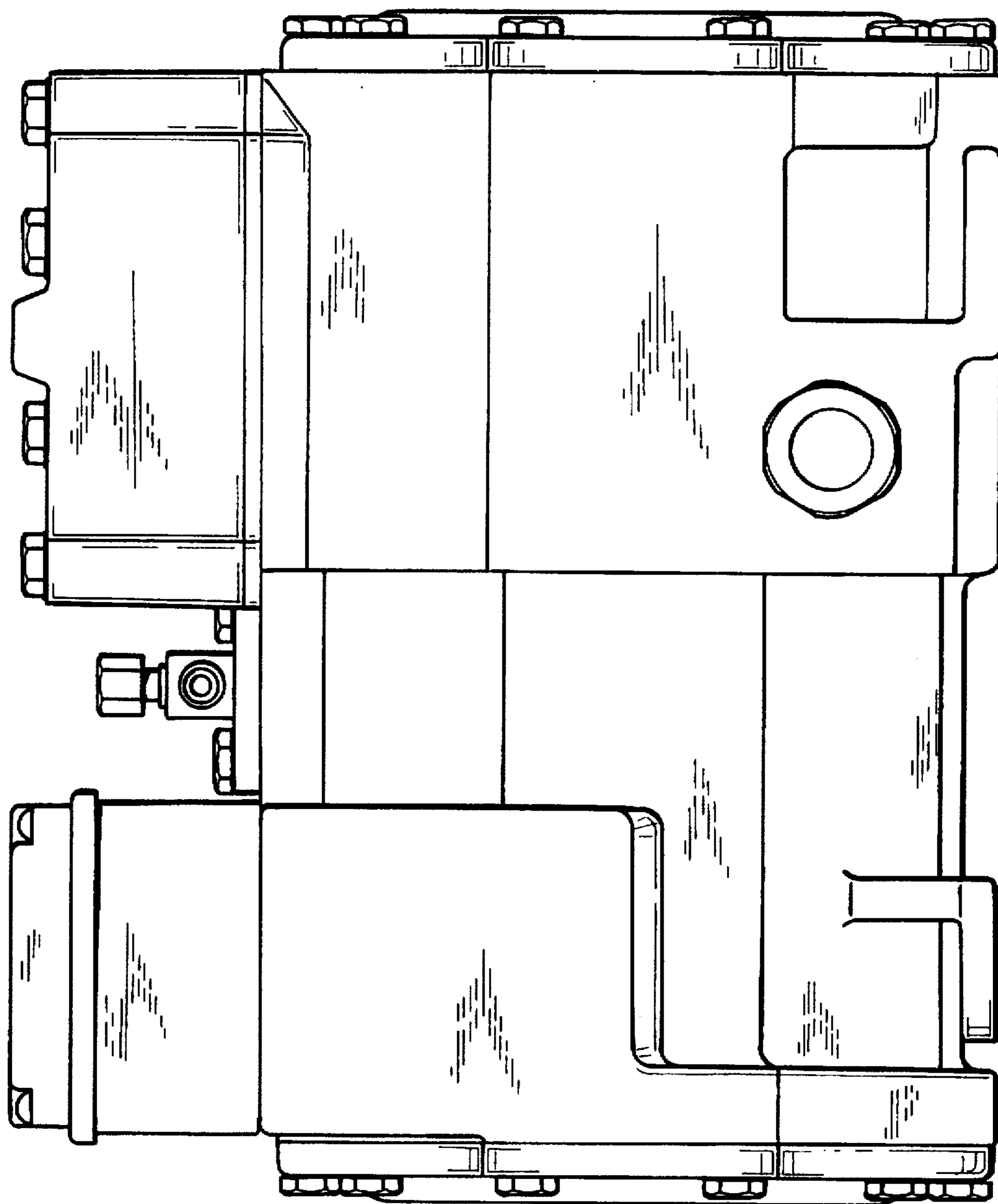


FIG. 5

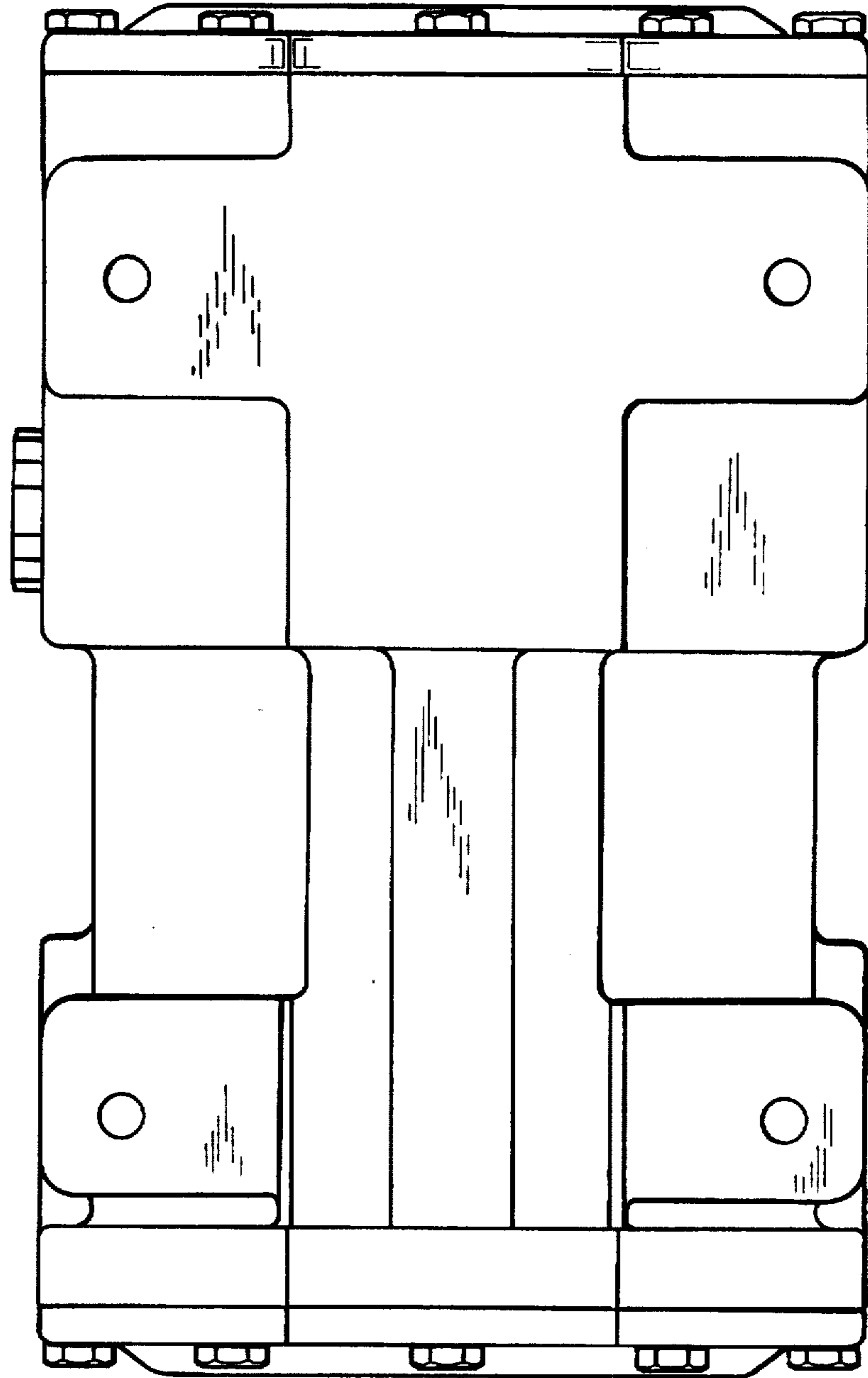
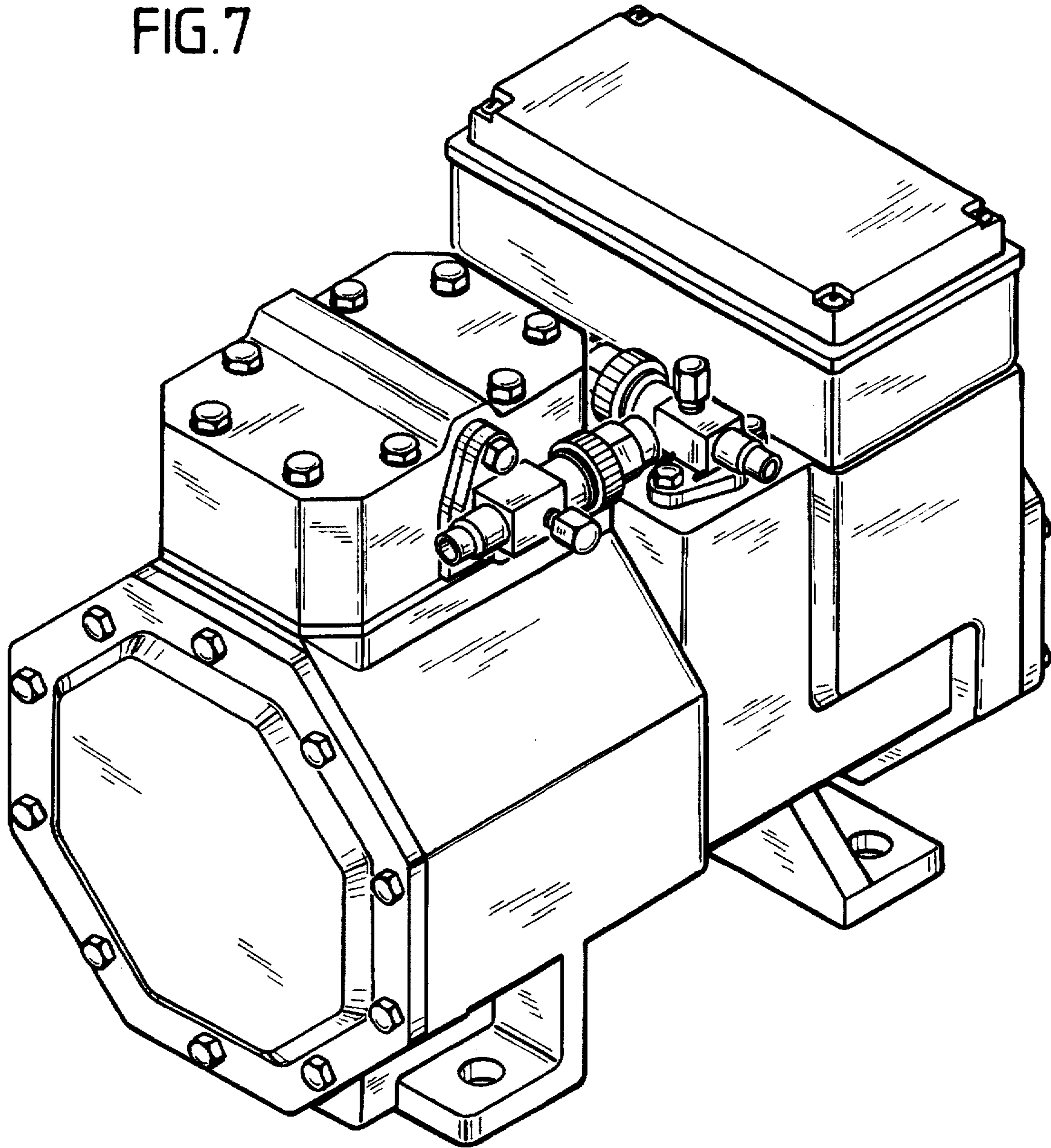


FIG.6

FIG. 7



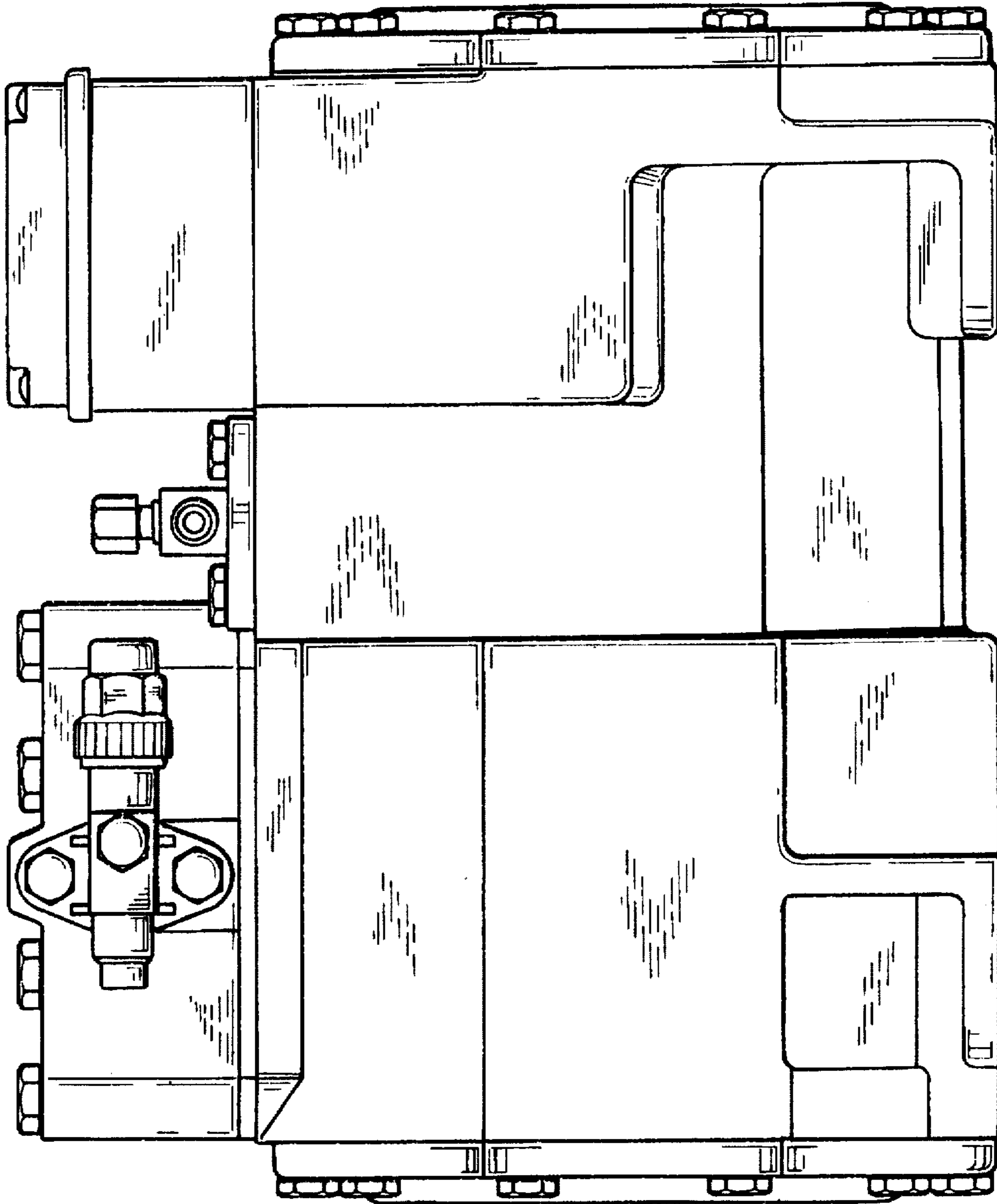
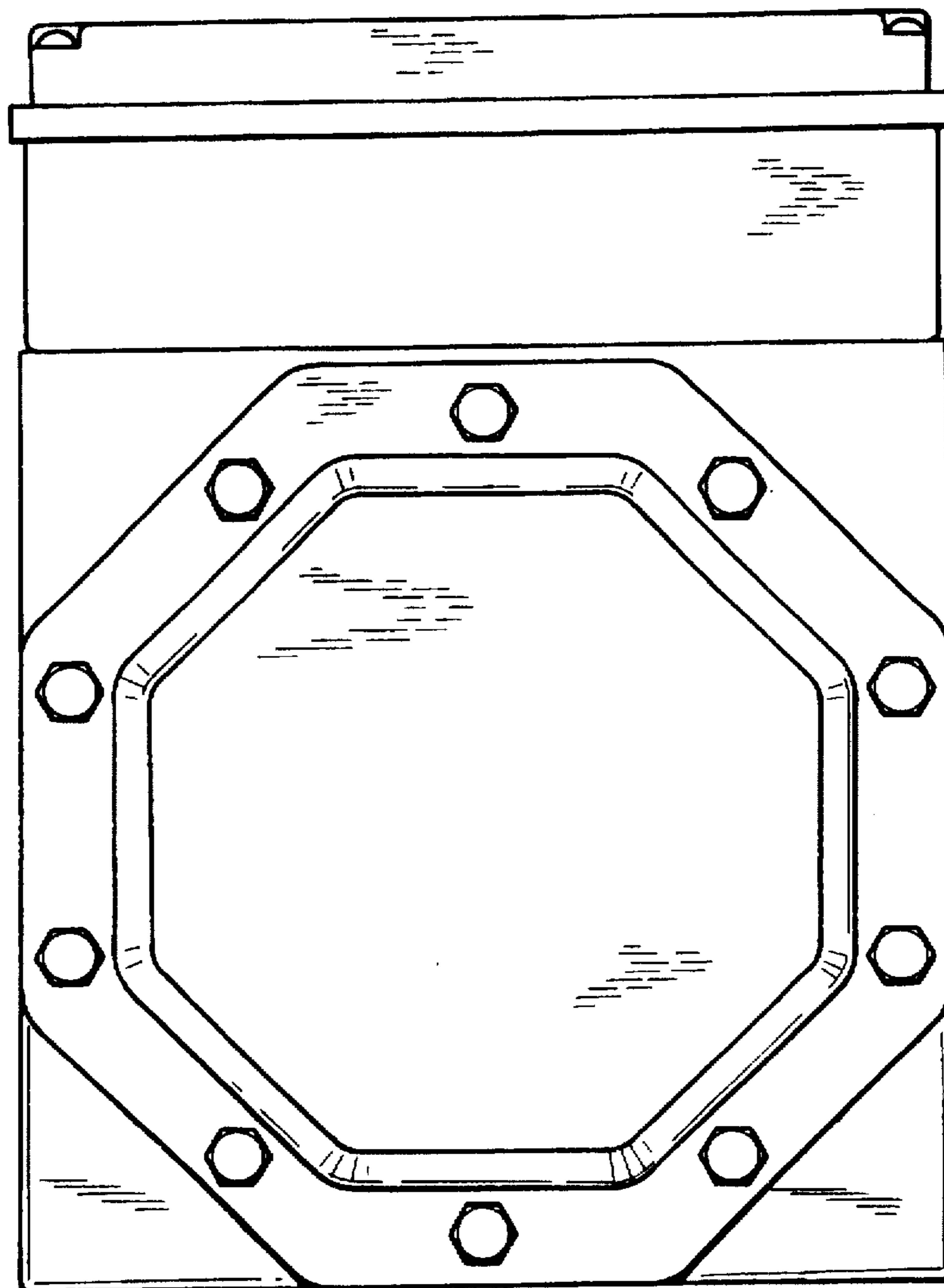


FIG. 8

FIG. 9



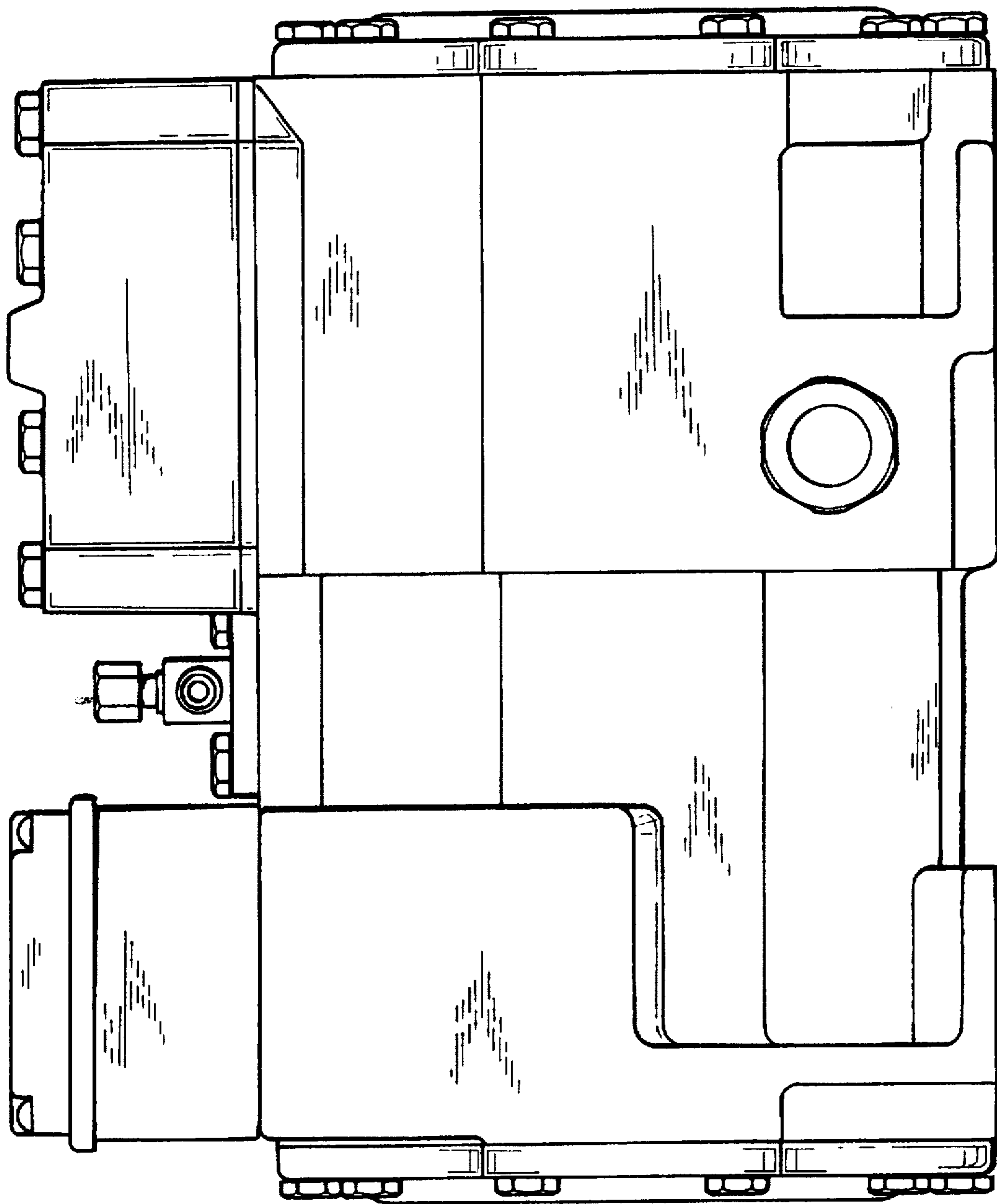


FIG. 10

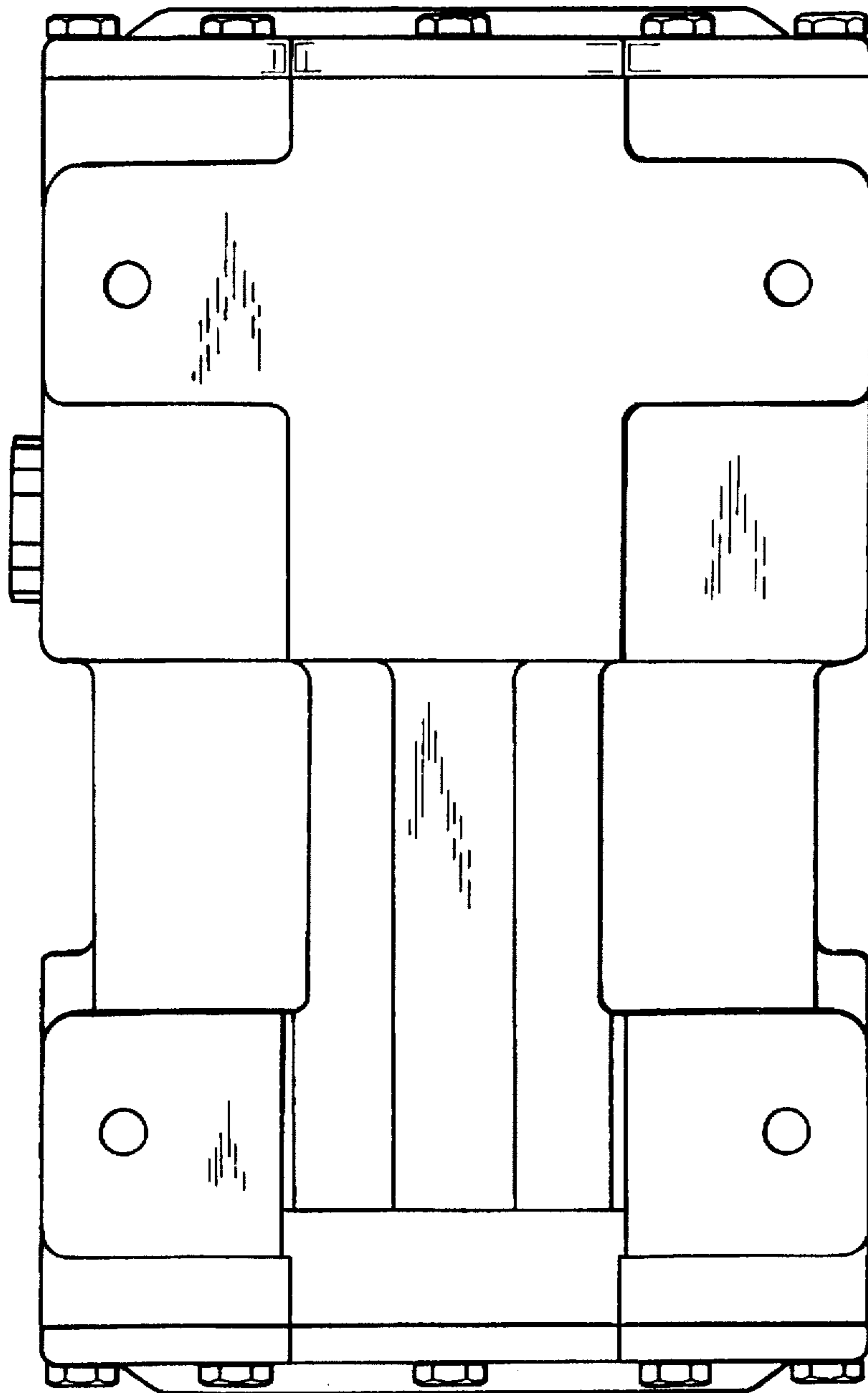
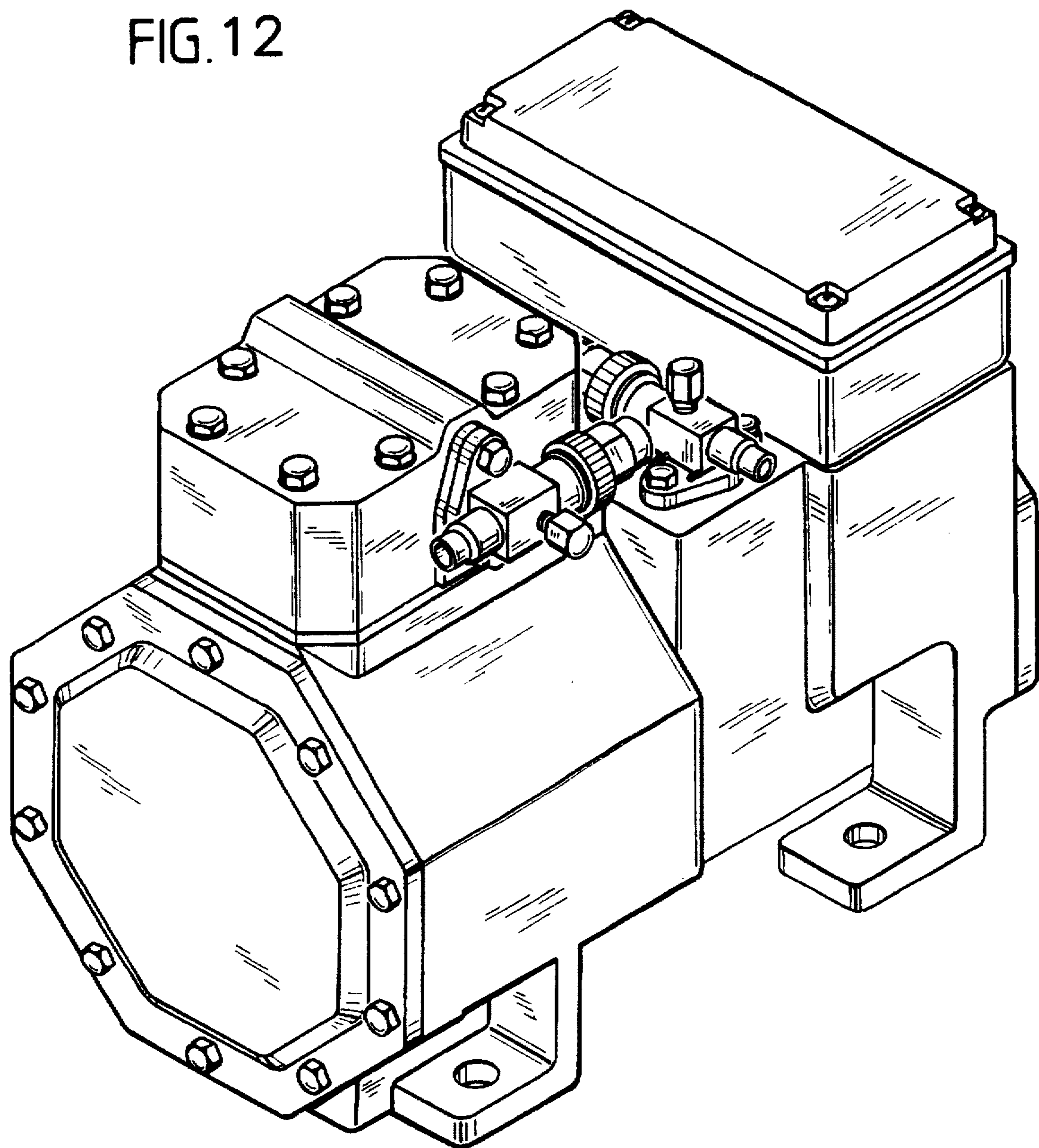


FIG. 11

FIG. 12



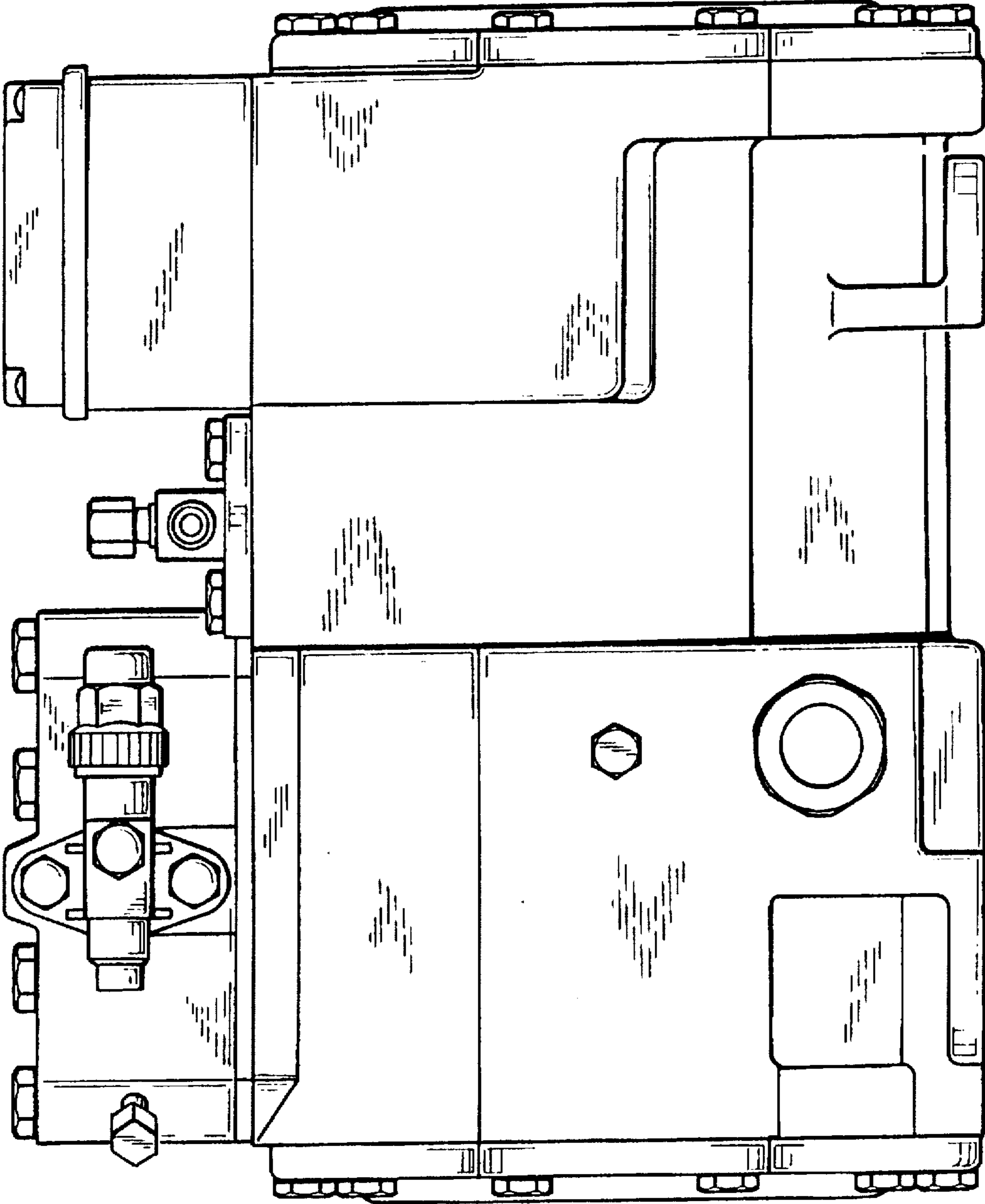


FIG. 13

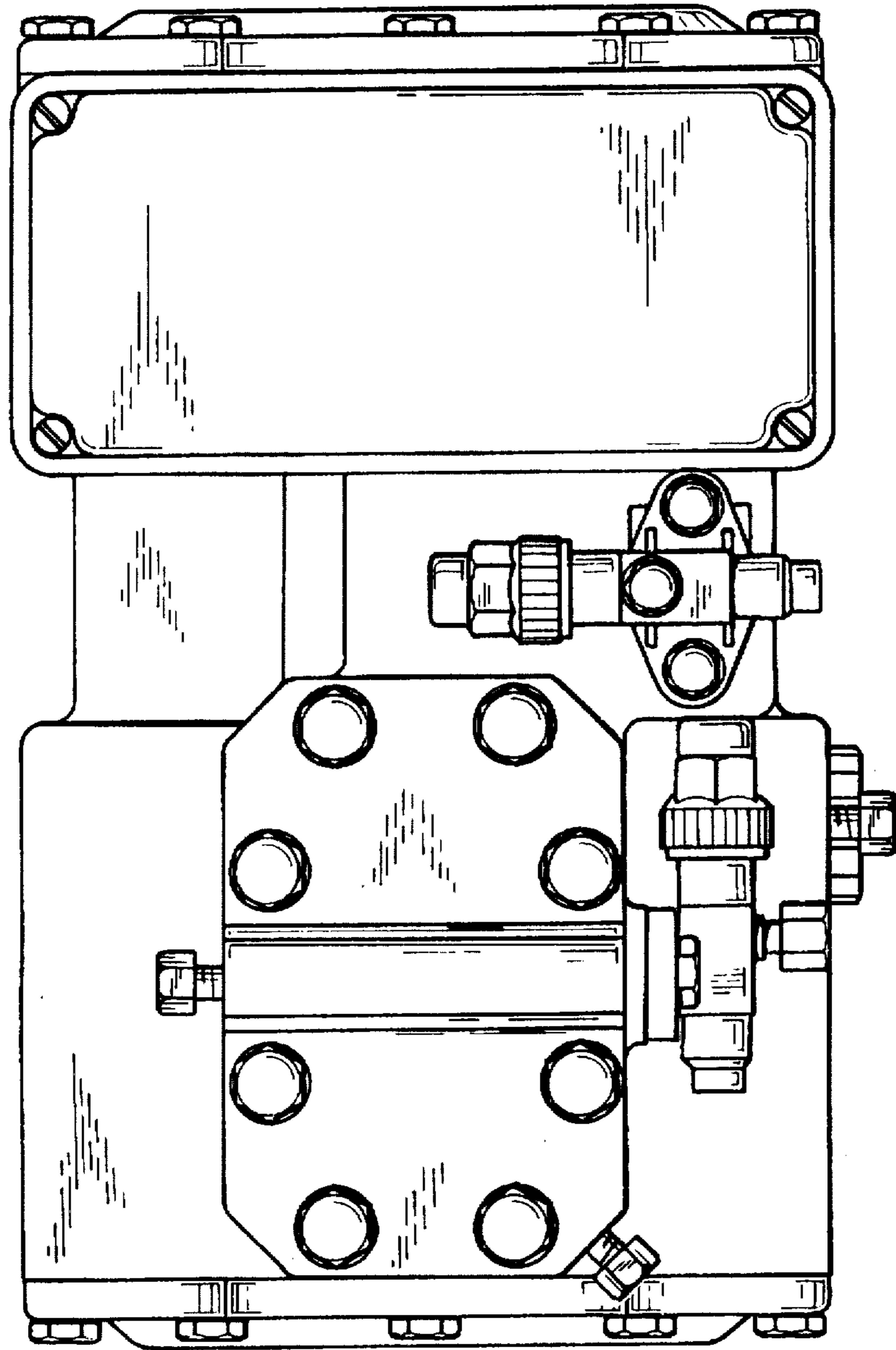


FIG.14

FIG. 15

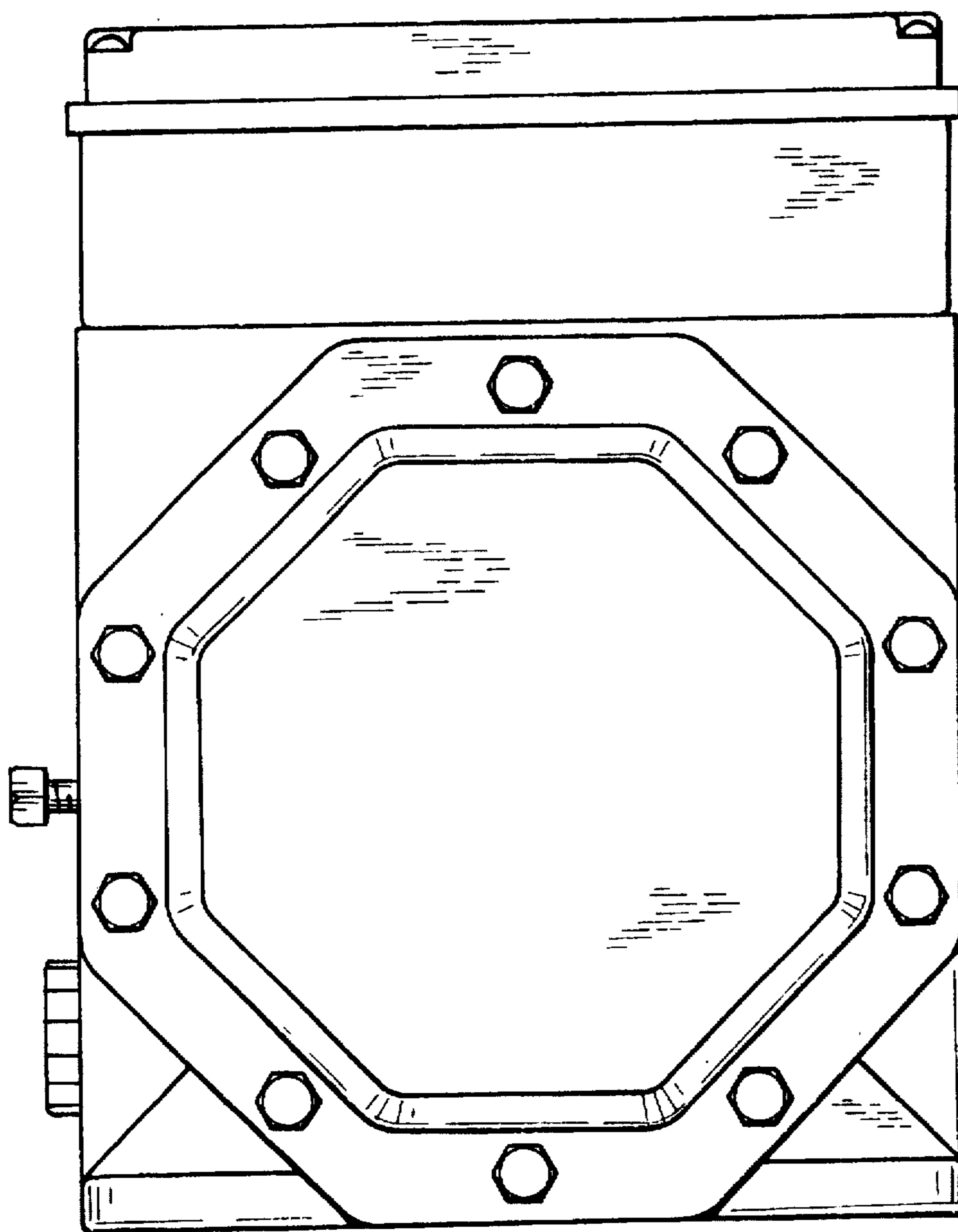
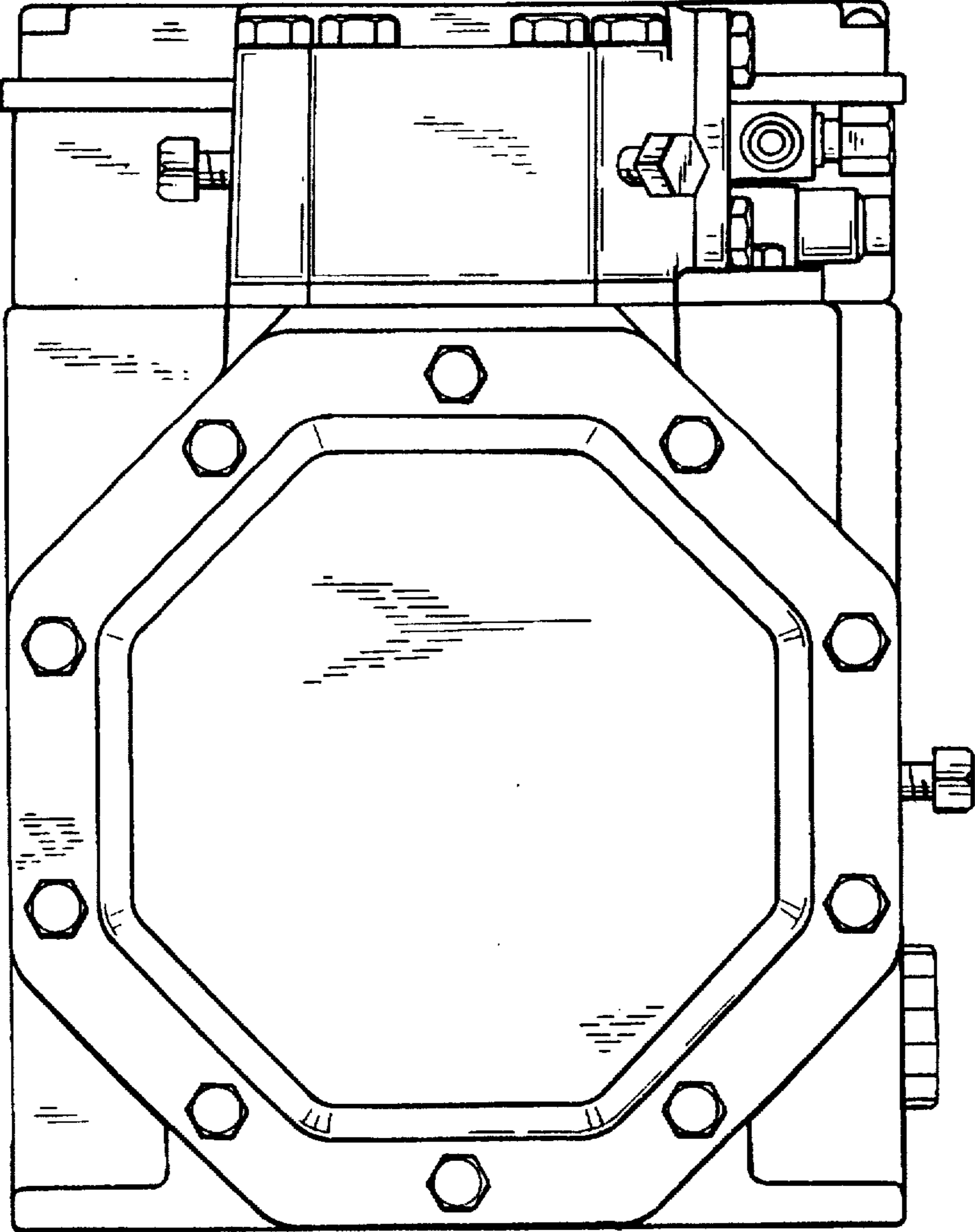


FIG.16



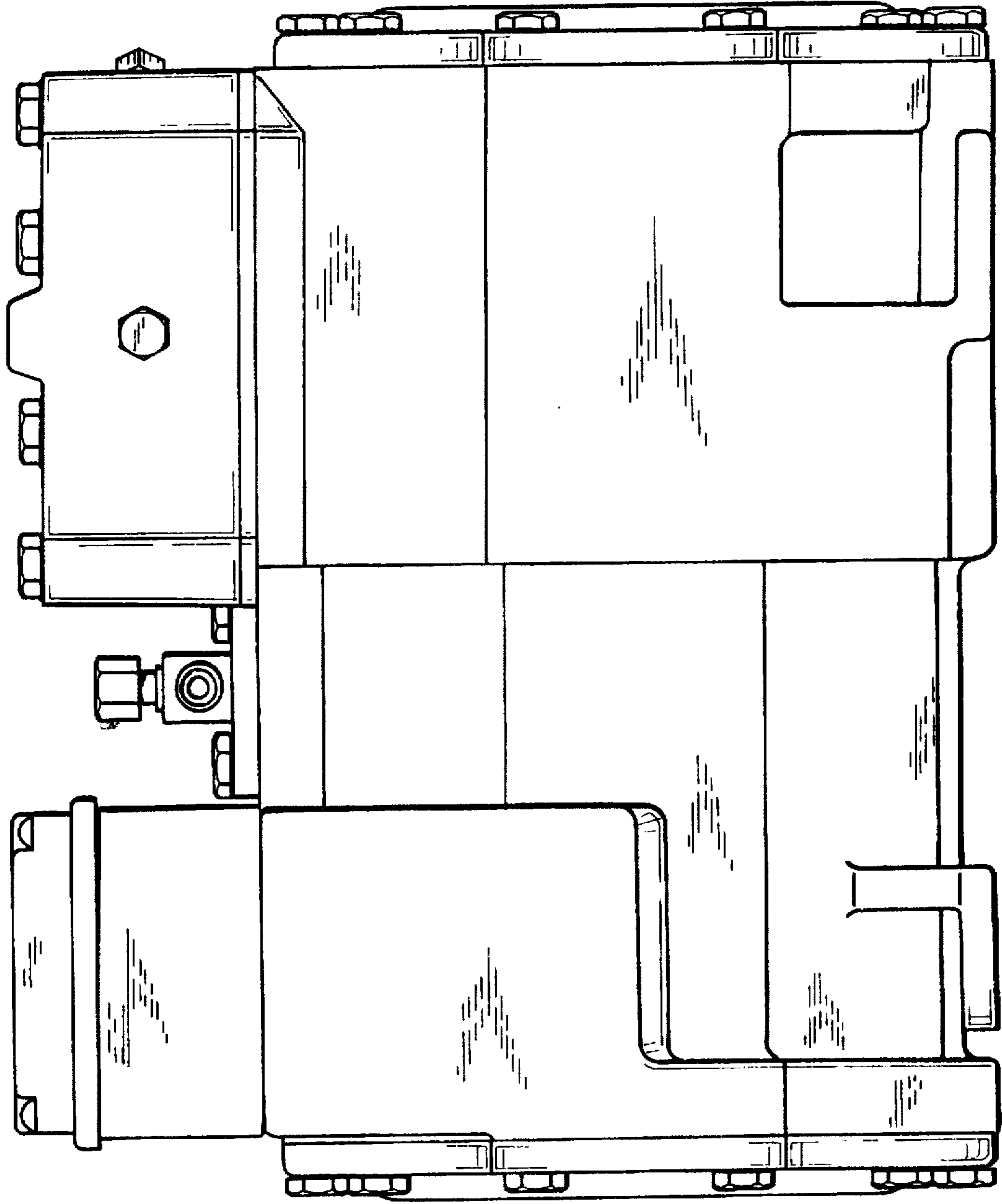


FIG.17

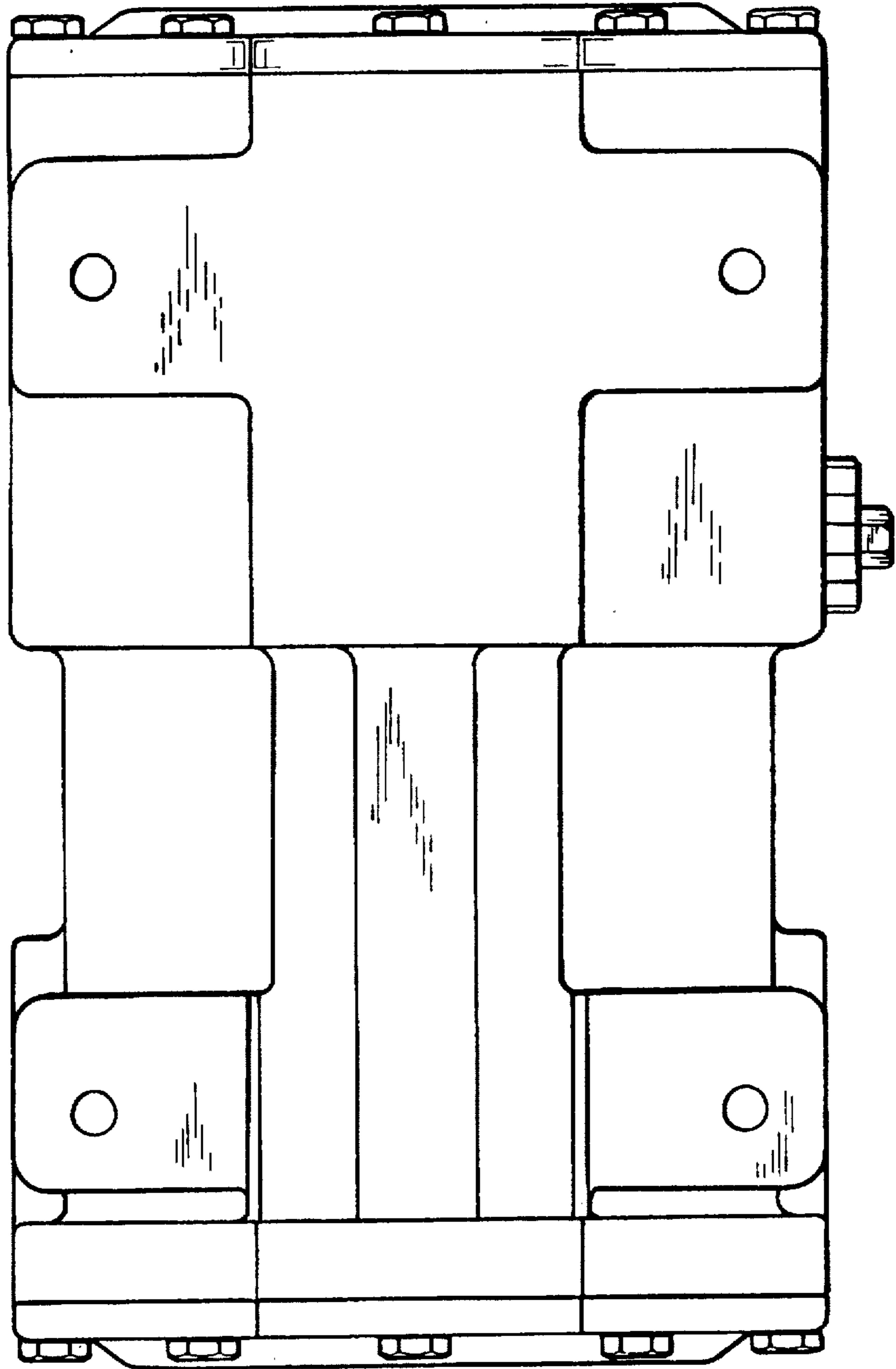


FIG.18

FIG.19

