



US00D394067S

United States Patent [19]

Kon

[11] Patent Number: **Des. 394,067**

[45] Date of Patent: ****May 5, 1998**

[54] **PUMP FOR MOVING LIQUID THROUGH A TUBE**

[76] Inventor: **Yukio Kon**, 2995-4, Oaza-Hino, Hino-shi, Tokyo, Japan

[**] Term: **14 Years**

[21] Appl. No.: **69,679**

[22] Filed: **Apr. 1, 1997**

[51] LOC (6) Cl. **15-02**

[52] U.S. Cl. **D15/7**

[58] Field of Search D15/7-9; 417/360, 417/423.1, 423.14, 223.15, 424, 224.1, 539; D32/3, 5

[56] **References Cited**

U.S. PATENT DOCUMENTS

D. 130,652	12/1941	Heath	D15/7
D. 263,843	4/1982	Pareja	D15/7
D. 271,976	12/1983	Brown	D15/7
307,681	11/1884	Reed	D15/7
D. 364,172	11/1995	Jensen et al.	D15/7

Primary Examiner—Ralf Seifert
Attorney, Agent, or Firm—Oliff & Berridge, PLC

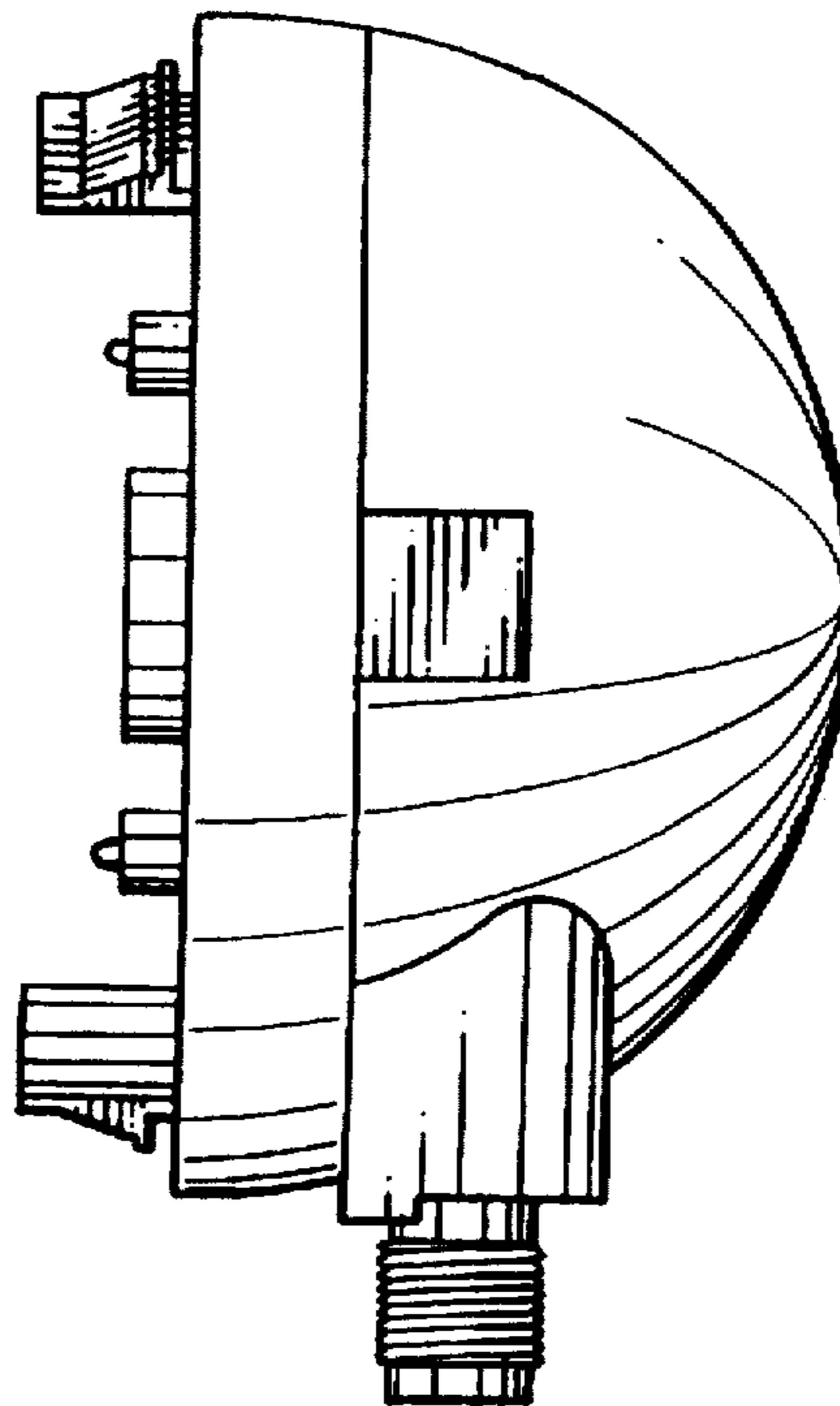
[57] **CLAIM**

The ornamental design for a pump for moving liquid through a tube, as shown and described.

DESCRIPTION

FIG. 1 is a front view of a pump for moving liquid through a tube showing my new design;
 FIG. 2 is a rear view thereof;
 FIG. 3 is a top view thereof;
 FIG. 4 is a bottom view thereof;
 FIG. 5 is a left-side view thereof;
 FIG. 6 is a right-side view thereof;
 FIG. 7 shows the pump for moving liquid through a tube attached to a housing; and,
 FIG. 8 is a cross-sectional view of the pump for moving liquid through a tube taken through the line 8—8 of FIG. 1. The broken line showing of a housing and a tube in FIG. 7 is for illustrative purposes only and forms no part of the claimed design.

1 Claim, 5 Drawing Sheets



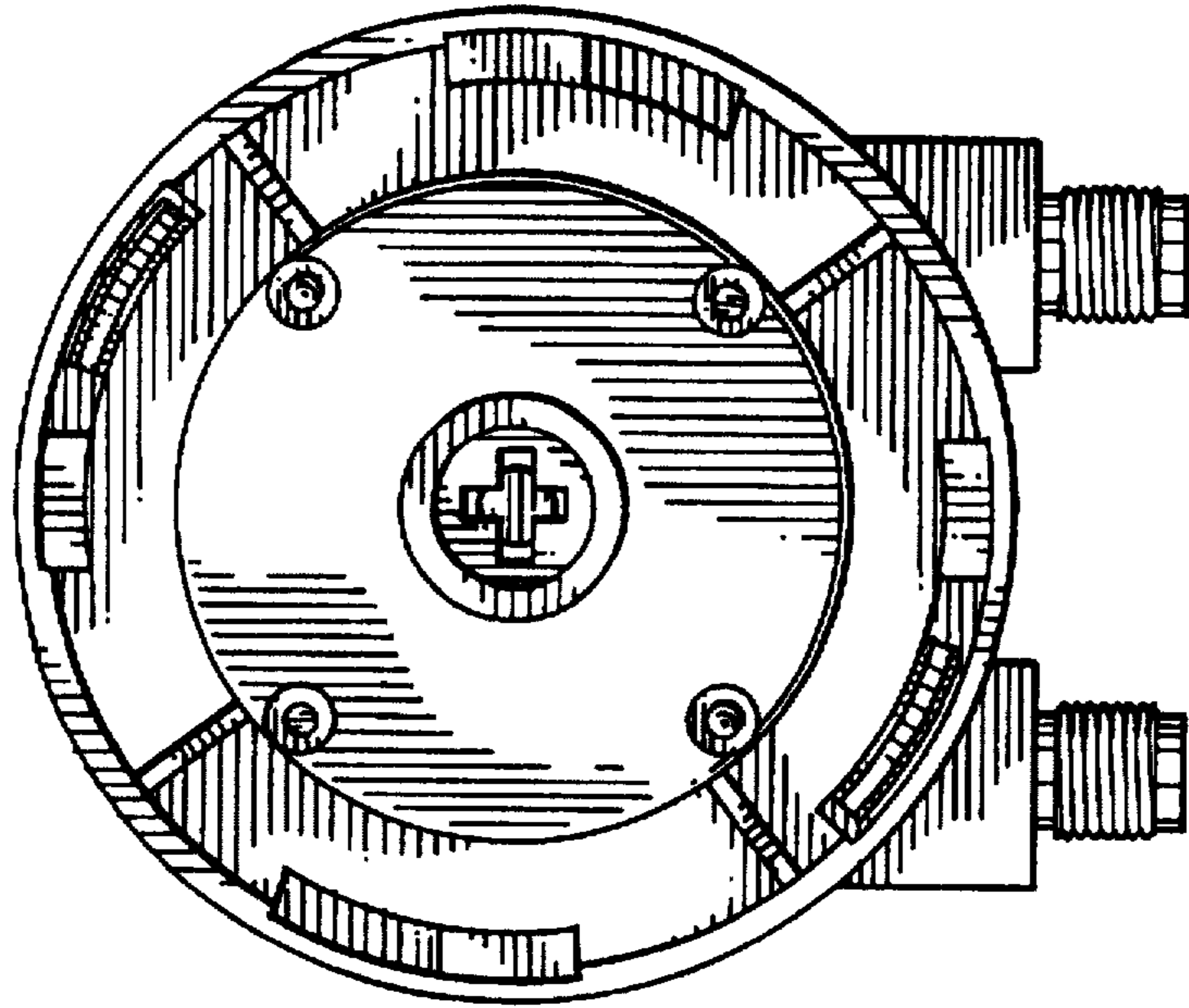


FIG. 2

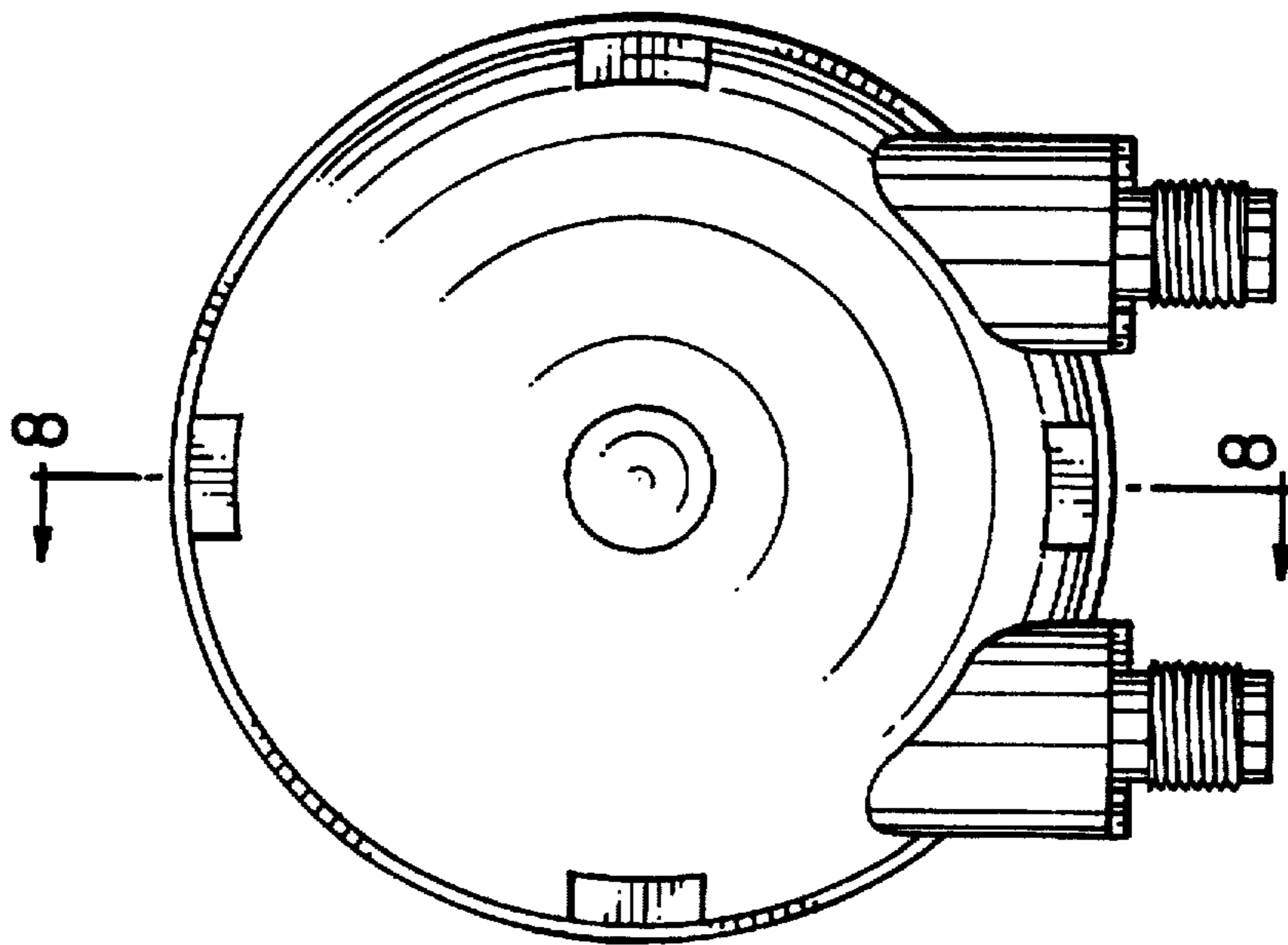


FIG. 1

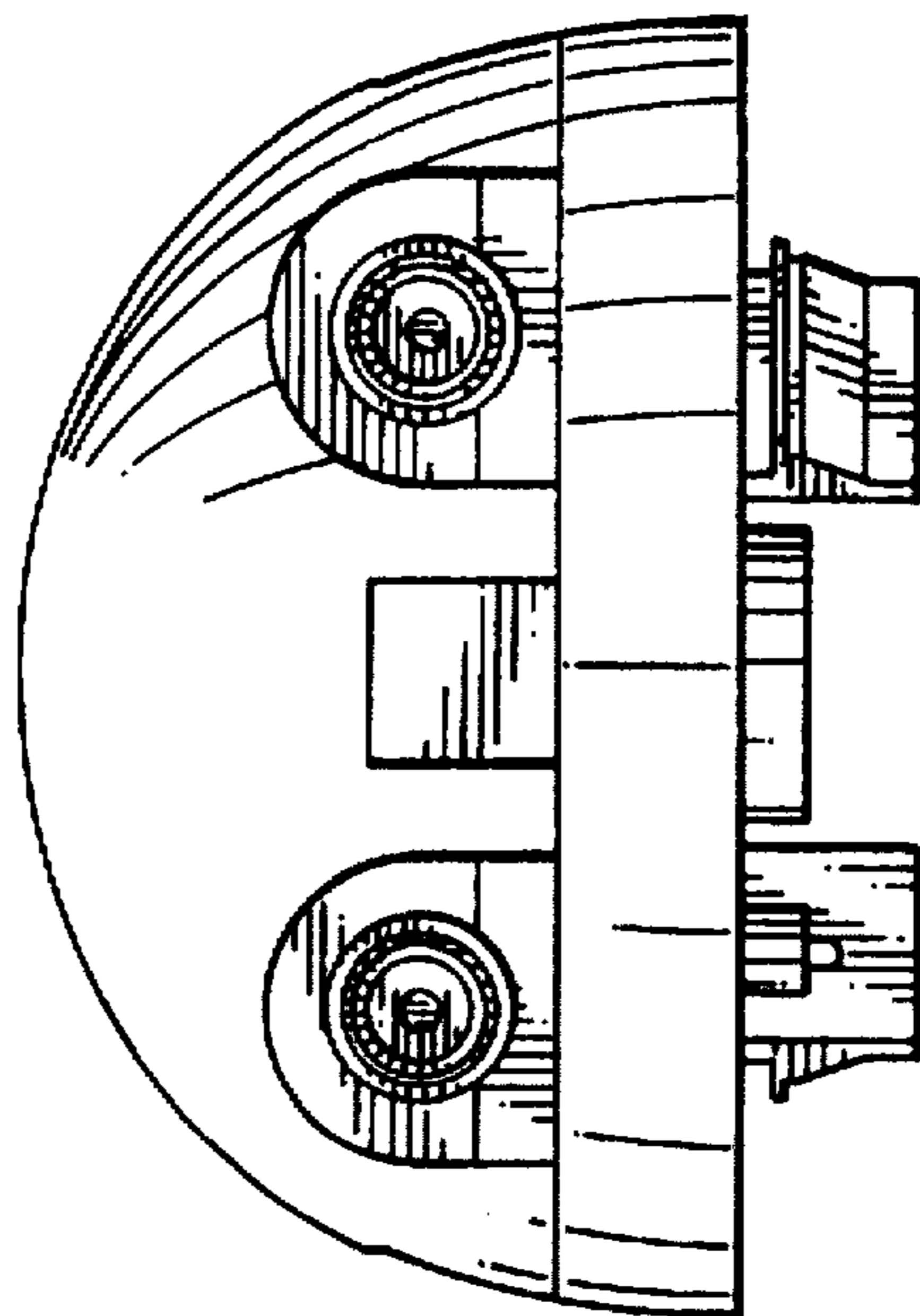


FIG. 4

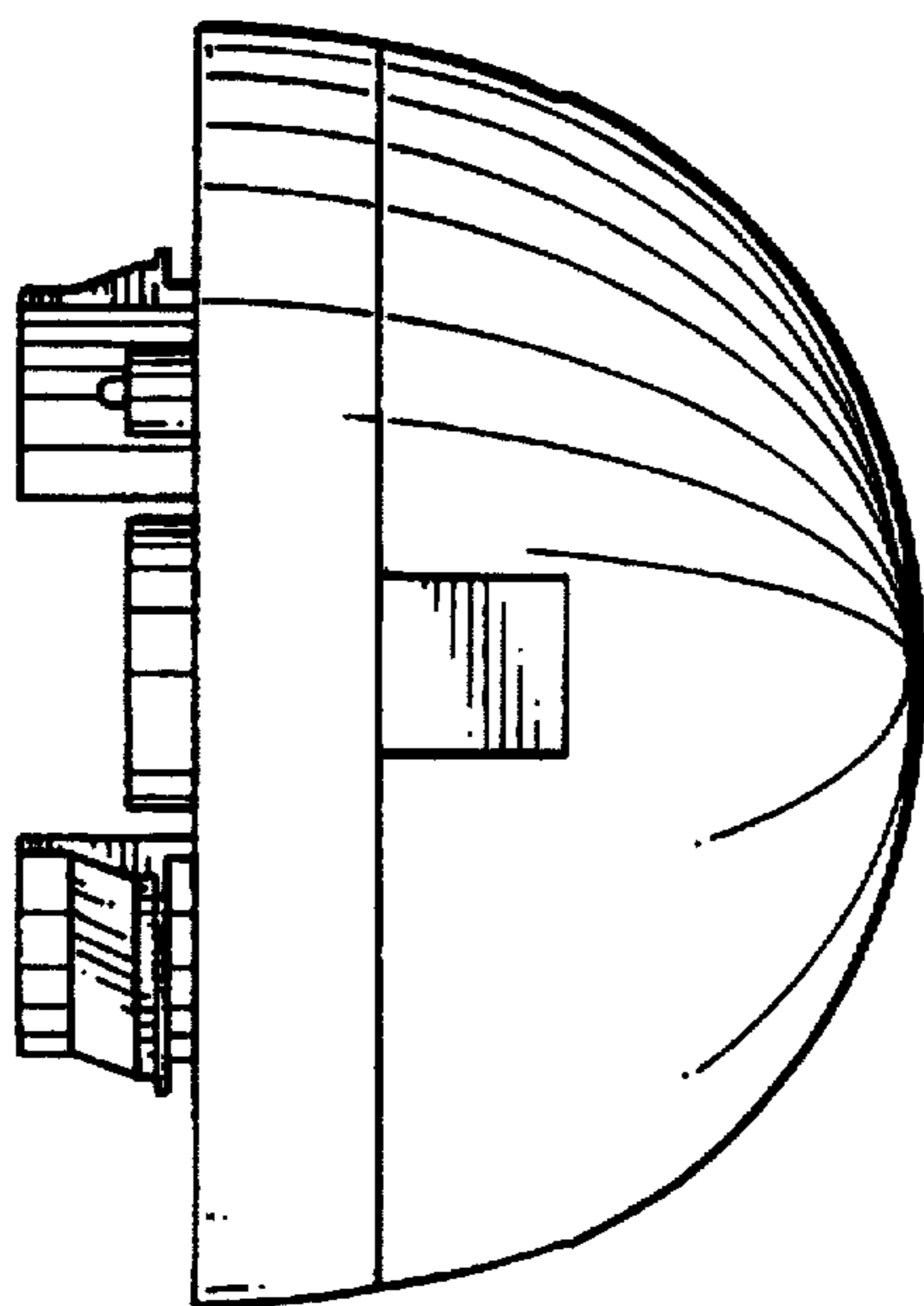


FIG. 3

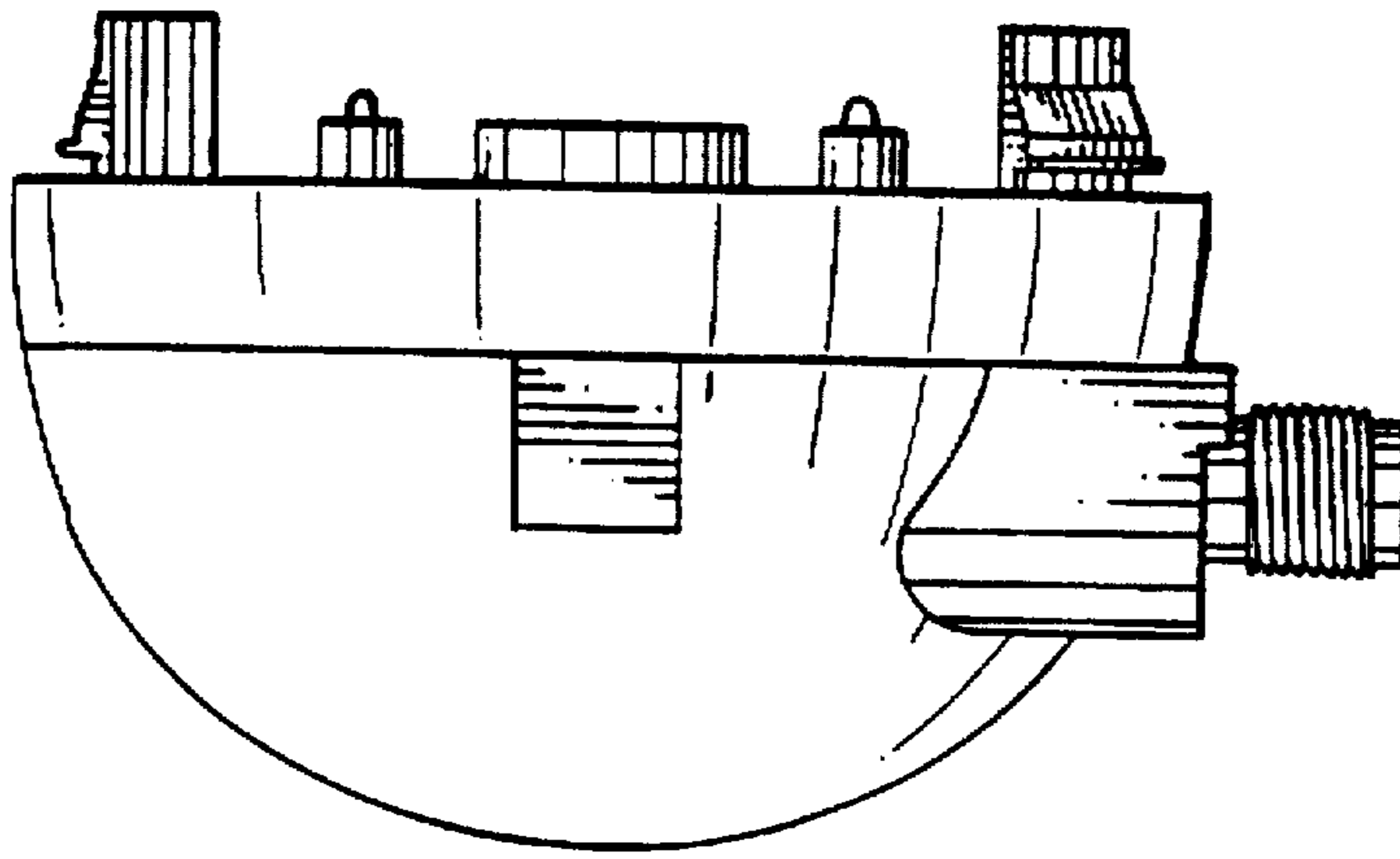


FIG. 6

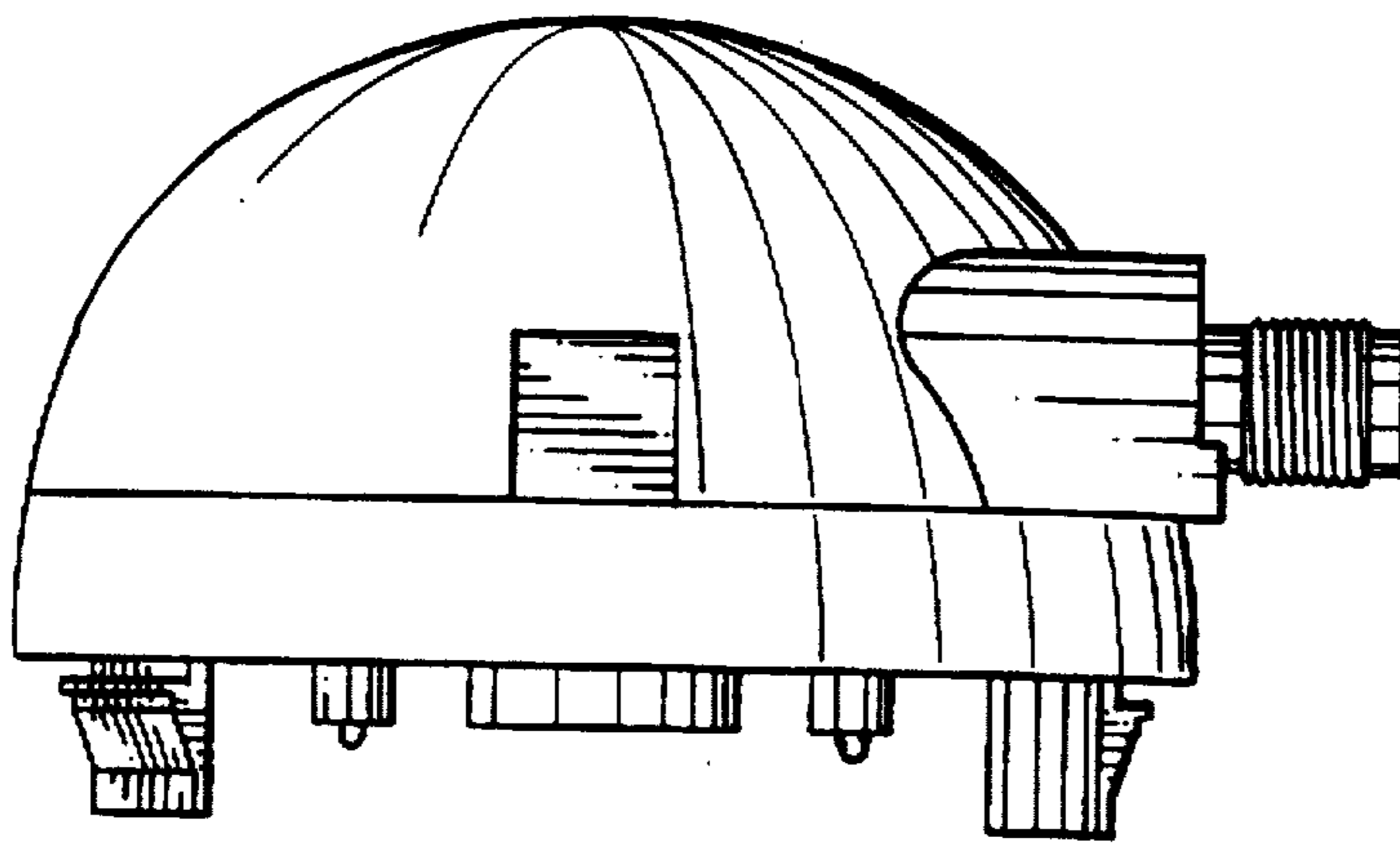


FIG. 5

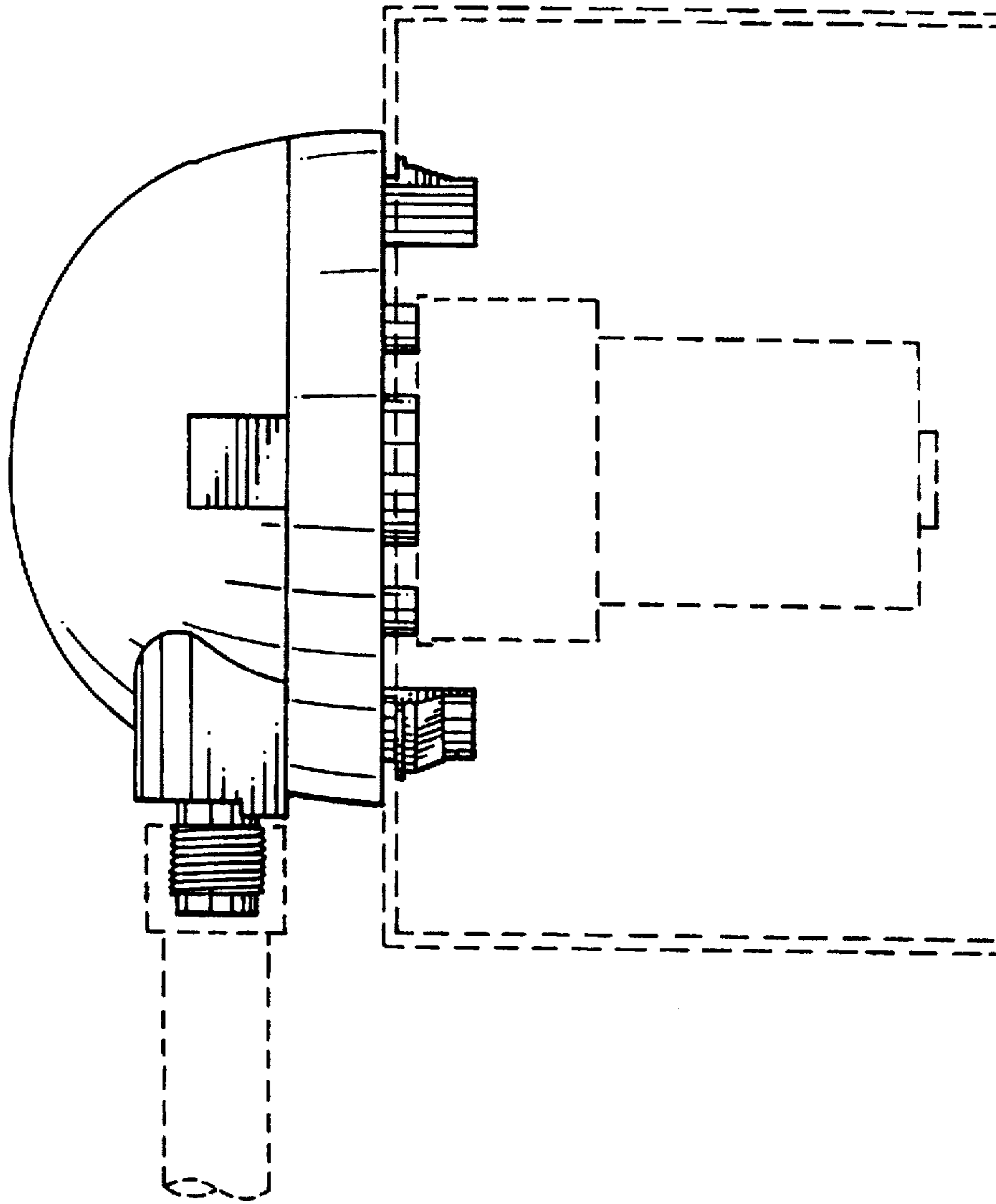


FIG. 7

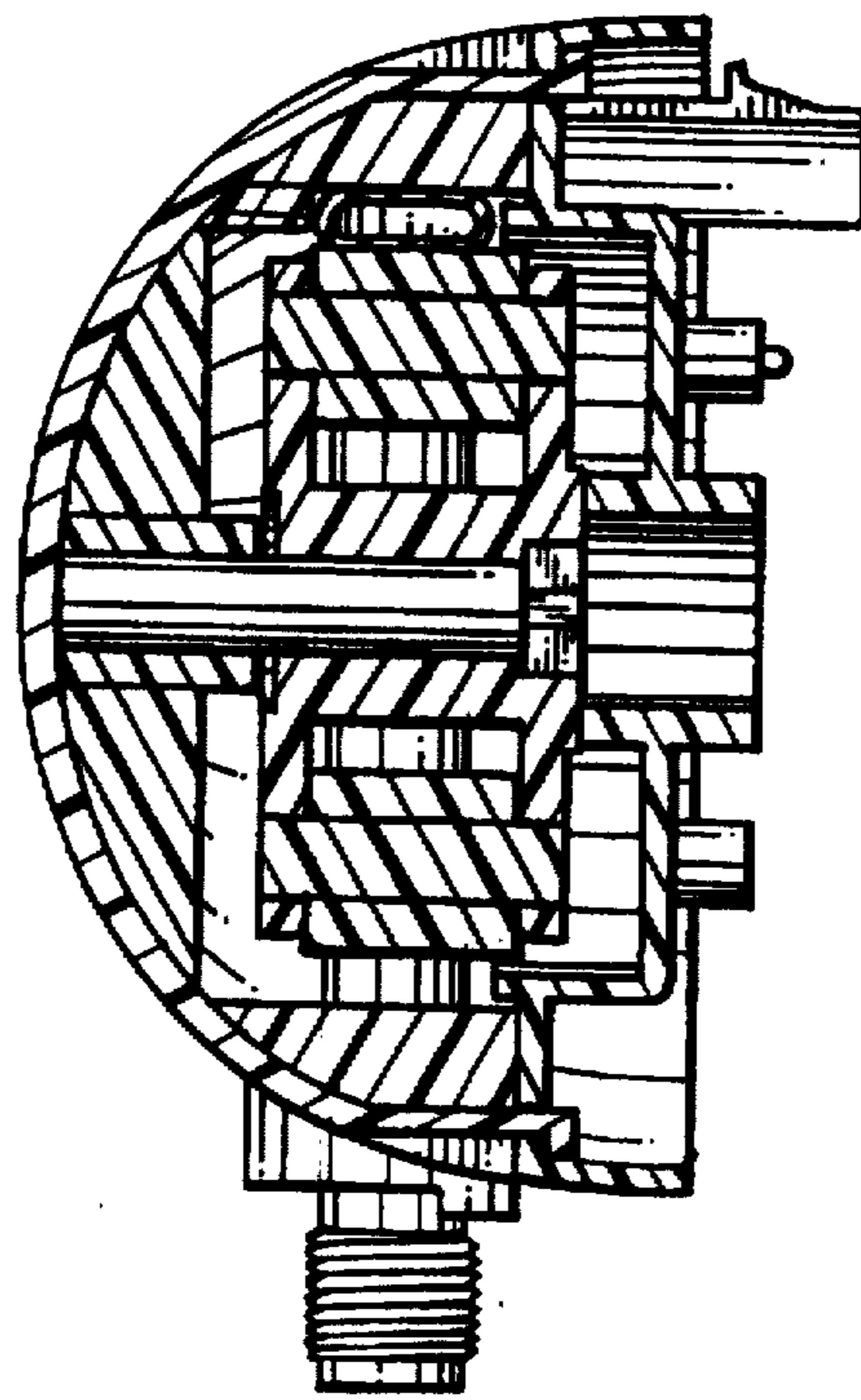


FIG. 8