



US00D394065S

United States Patent [19]

Nuttall et al.

[11] Patent Number: **Des. 394,065**

[45] Date of Patent: *****May 5, 1998**

[54] **PORTABLE TELEPHONE HANDSET**

[75] Inventors: **Michael John Nuttall**, Portola Valley;
Christopher A. Robinette, Woodside,
both of Calif.; **John Henry Schaffeld**,
New Vernon, N.J.

[73] Assignee: **Lucent Technologies Inc.**, Murray Hill,
N.J.

[*] Notice: The portion of the term of this patent
subsequent to Jun. 4, 2010, has been
disclaimed.

[**] Term: **14 Years**

[21] Appl. No.: **32,957**

[22] Filed: **Dec. 30, 1994**

[51] LOC (6) Cl. **14-03**

[52] U.S. Cl. **D14/248**

[58] Field of Search D14/116, 137,
D14/138, 140, 142, 147, 148, 248; 379/58-61,
419, 420, 428, 440, 433, 454, 455

[56] **References Cited**

U.S. PATENT DOCUMENTS

- D. 301,146 5/1989 Jackwicz D14/248
- D. 313,800 1/1991 Appleby D14/148 X
- D. 352,710 11/1994 Solomita D14/148
- D. 355,188 2/1995 Folds et al. D14/148
- D. 355,659 2/1995 Lee et al. D14/147 X
- D. 355,912 2/1995 Wicks et al. D14/148
- D. 357,251 4/1995 Watanabe et al. D14/248 X

- D. 370,486 6/1996 Nutall et al. D14/248
- D. 373,772 9/1996 Bennett et al. D14/248
- D. 374,012 9/1996 Bennett et al. D14/248
- D. 375,750 11/1996 Nutall et al. D14/248
- D. 377,354 1/1997 Nutall et al. D14/248
- 3,627,930 12/1971 Tolman 379/433

OTHER PUBLICATIONS

B. A. Pargh 1992 Spring/Summer Catalog, Cobra Phone at
top left p. 314.

B. A. Pargh 1992 Spring/Summer Catalog, South West Bell
Phone 2nd from bottom right and Panasonic Phone 2nd from
top left p. 316.

B. A. Pargh 1992 Spring/Summer Catalog, Tropez Phone at
bottom left p. 317.

Primary Examiner—Jeffrey Asch

Attorney, Agent, or Firm—Samuel R. Williamson

[57] **CLAIM**

The ornamental design of a portable telephone handset, as
shown and described.

DESCRIPTION

FIG. 1 is a bottom, front and right side perspective view of
a portable telephone handset showing our new design;

FIG. 2 is a front elevation thereof;

FIG. 3 is a rear elevation thereof;

FIG. 4 is a right side elevation thereof;

FIG. 5 is a left side elevation thereof;

FIG. 6 is a top plan view thereof; and,

FIG. 7 is a bottom plan view thereof.

1 Claim, 2 Drawing Sheets

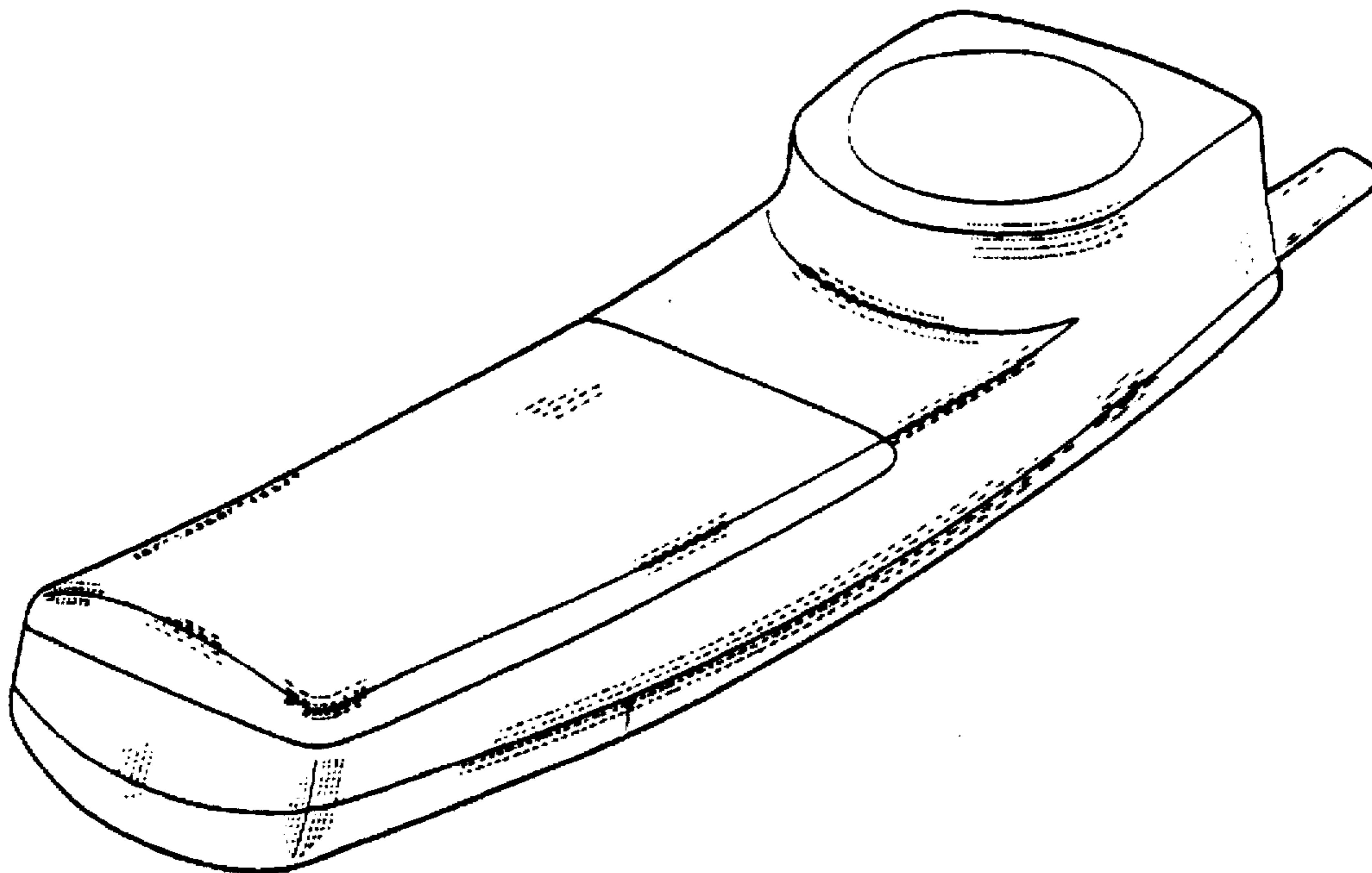


Fig. 1

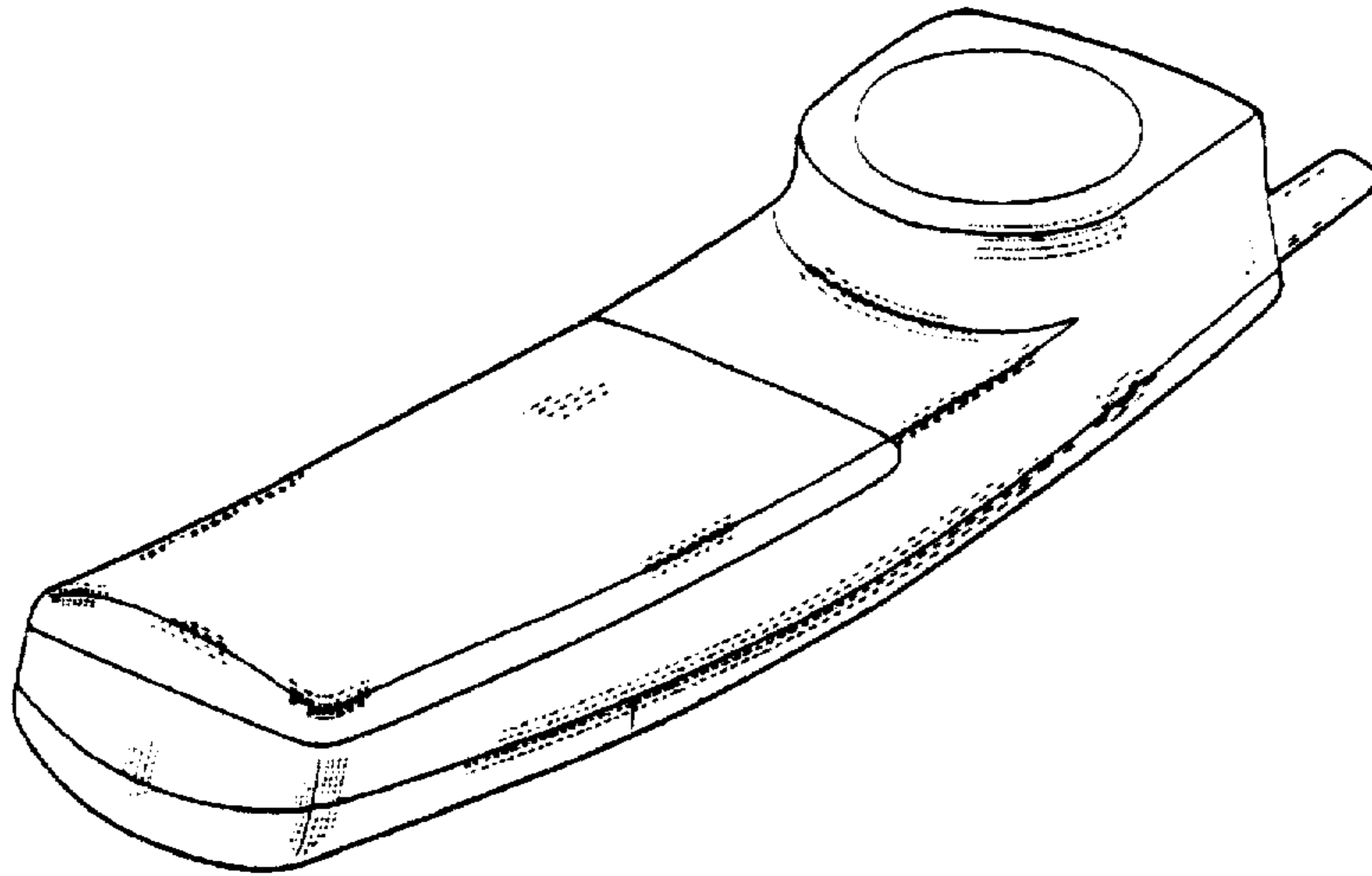


Fig. 2

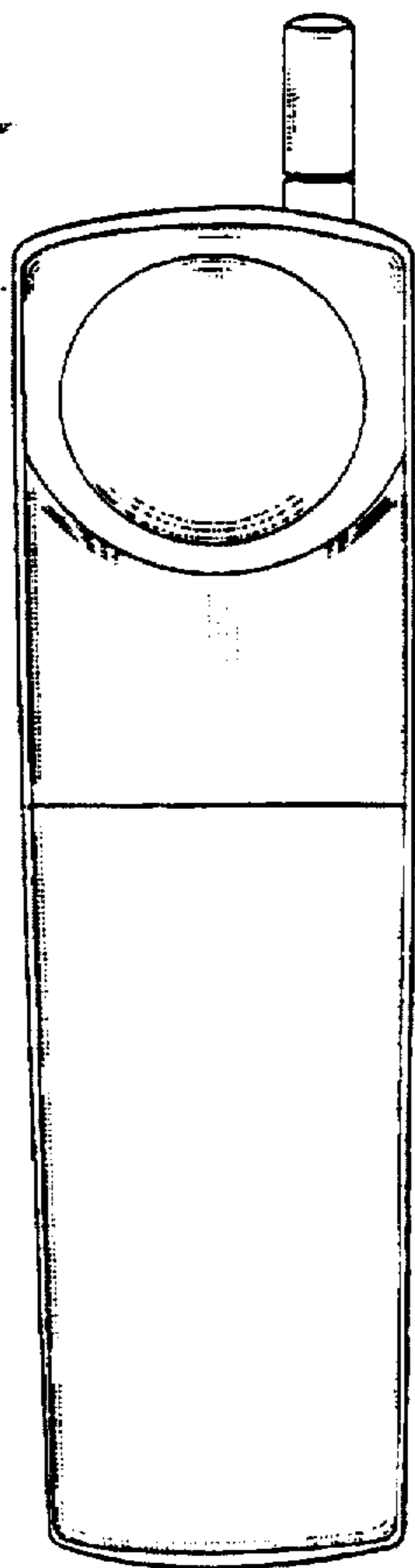


Fig. 3

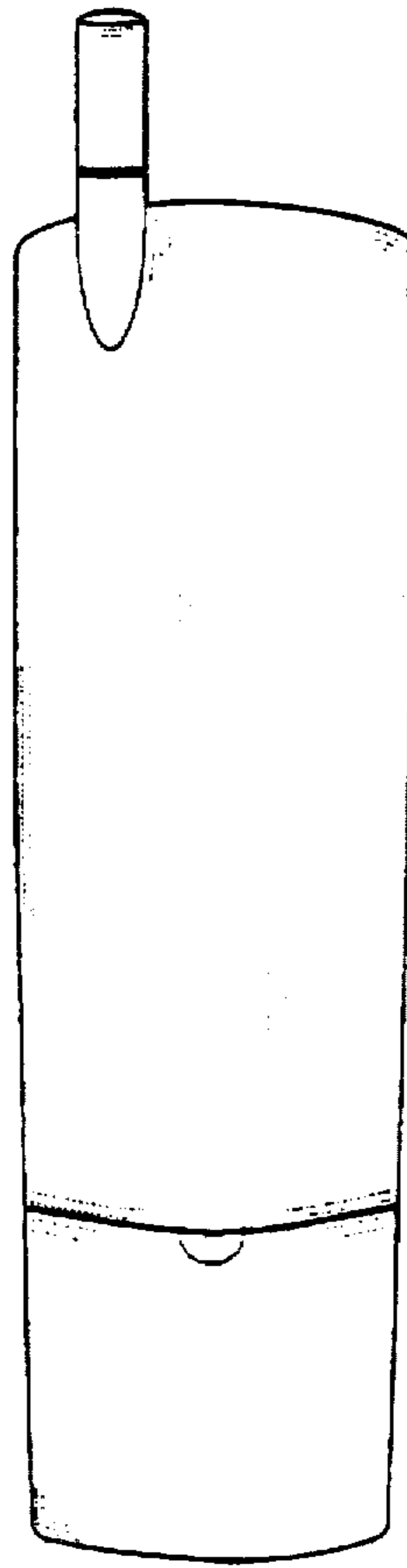


Fig. 4

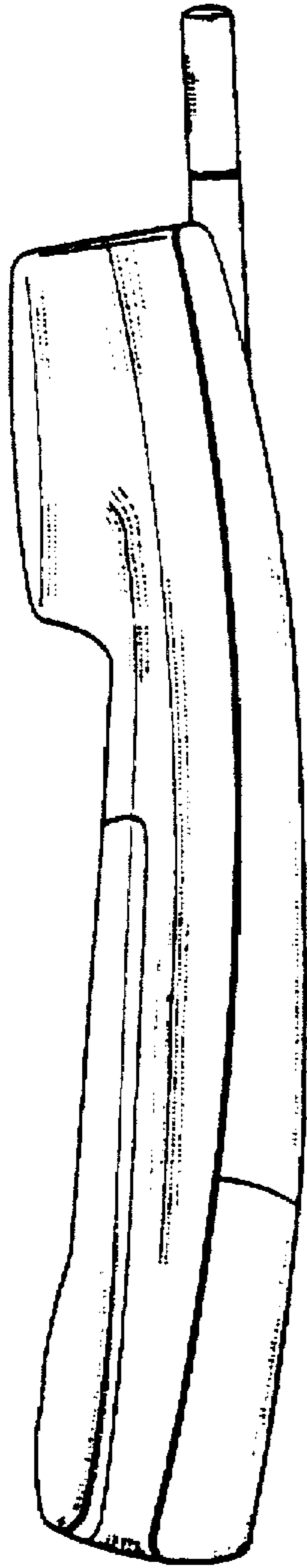


Fig. 5



Fig. 6

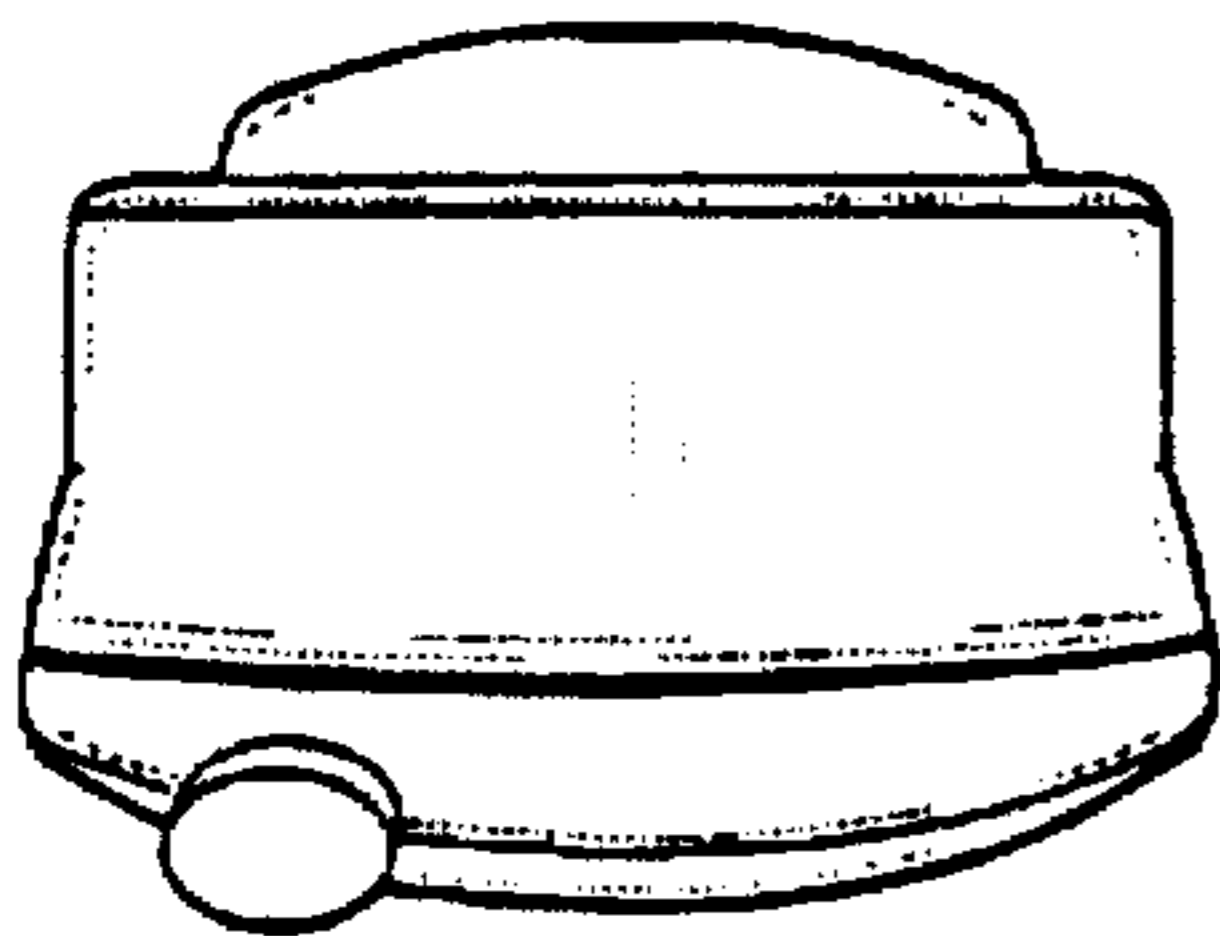


Fig. 7

