

US00D394058S

United States Patent [19]
Fitzgerald

[11] **Patent Number: Des. 394,058**

[45] **Date of Patent: **May 5, 1998**

[54] **CORDLESS TELEPHONE HEADSET**

[76] **Inventor: Robert M. Fitzgerald, 233 Milwaukee, Denver, Colo. 80206**

[**] **Term: 14 Years**

[21] **Appl. No.: 72,426**

[22] **Filed: Jun. 17, 1997**

[51] **LOC (6) Cl. 14-03**

[52] **U.S. Cl. D14/142; D14/206**

[58] **Field of Search D14/137, 138, D14/140, 142, 147, 148, 240, 205, 206, 223; 455/90, 347, 349, 550, 575; 379/430, 433, 434, 419, 420, 428, 440; 381/183, 187; D21/111**

[56] **References Cited**

U.S. PATENT DOCUMENTS

D. 305,759	1/1990	Balbuena	D14/147
D. 327,265	6/1992	Jasey	D14/206
D. 337,116	7/1993	Hattori	D14/206
D. 364,617	11/1995	Fitzgerald	D14/142
4,882,745	11/1989	Silver	455/90 X
5,086,464	2/1992	Groppe	379/433 X
5,117,464	5/1992	Jones et al.	381/183
5,469,505	11/1995	Gatley et al.	379/430
5,528,689	6/1996	Chan	379/430

OTHER PUBLICATIONS

Hello Direct, Winter 1991, p. 6, Cordless Headset.

Primary Examiner—Jeffrey Asch

Attorney, Agent, or Firm—Davis, Graham & Stubbs LLP

[57] **CLAIM**

The ornamental design for a cordless telephone headset, as shown and described.

DESCRIPTION

FIG. 1 is a right side front perspective view of a cordless telephone headset showing my new design;

FIG. 2 is a front elevation view;

FIG. 3 is a left side elevation view;

FIG. 4 is a right side elevation view;

FIG. 5 is a rear elevation view;

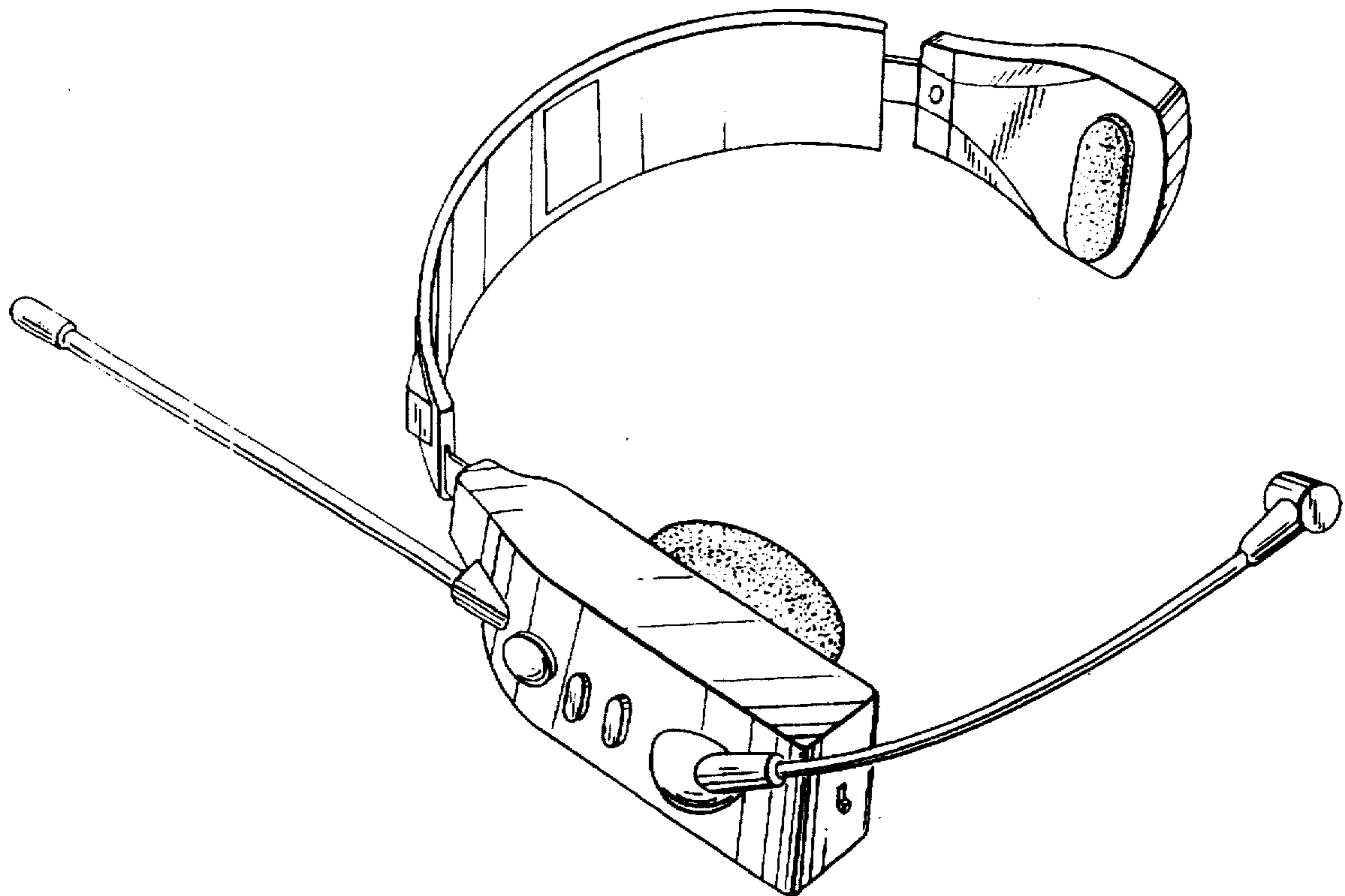
FIG. 6 is a top plan view;

FIG. 7 is a bottom plan view; and,

FIG. 8 is a right side front perspective view thereof showing, in phantom, a telephone base supporting said cordless telephone headset therein.

The antenna has been shown broken away in FIGS. 2 and 5 for convenience of illustration. The broken line showing of FIG. 8 is for illustrative purposes only and forms no part of the claimed design.

1 Claim, 4 Drawing Sheets



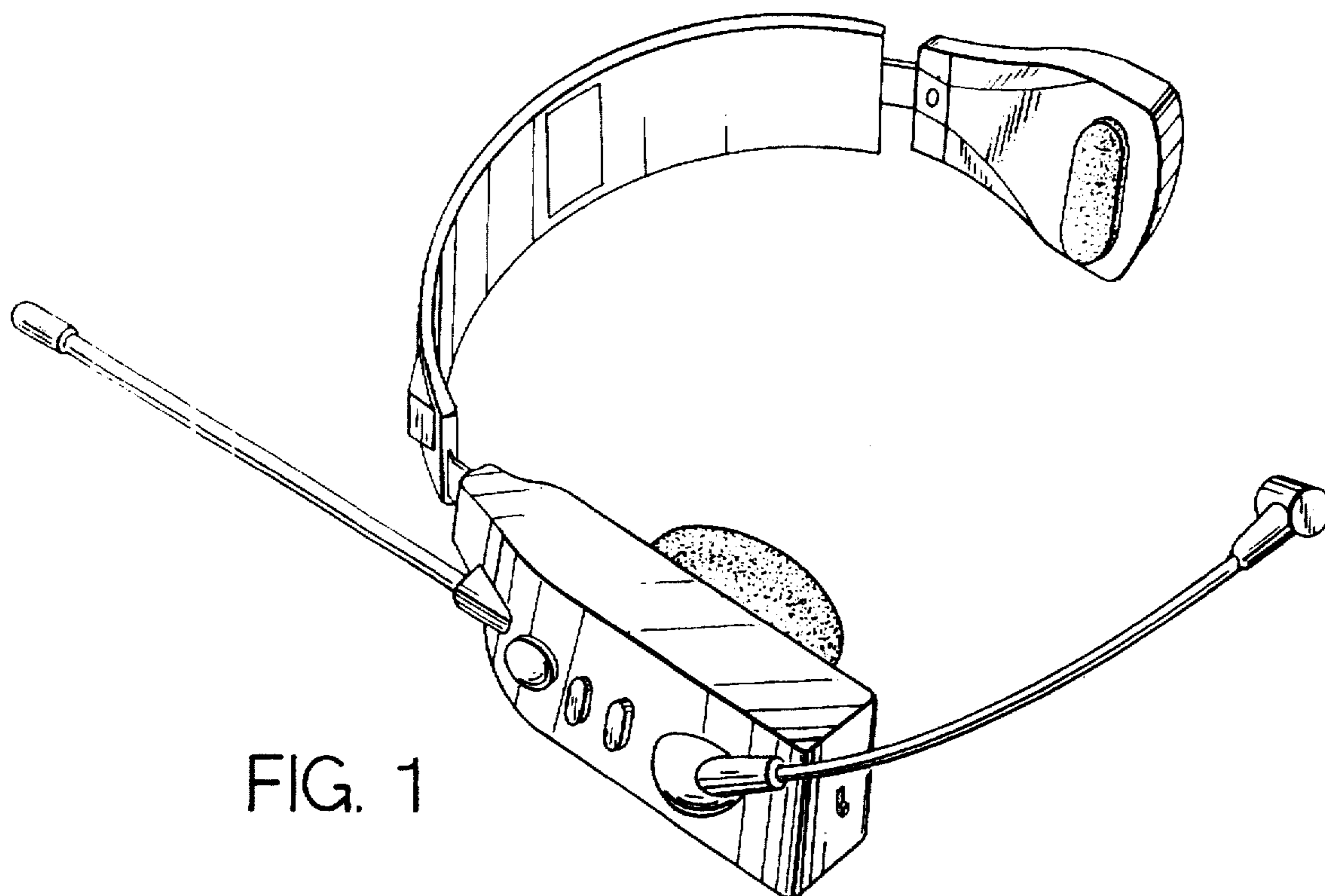


FIG. 1

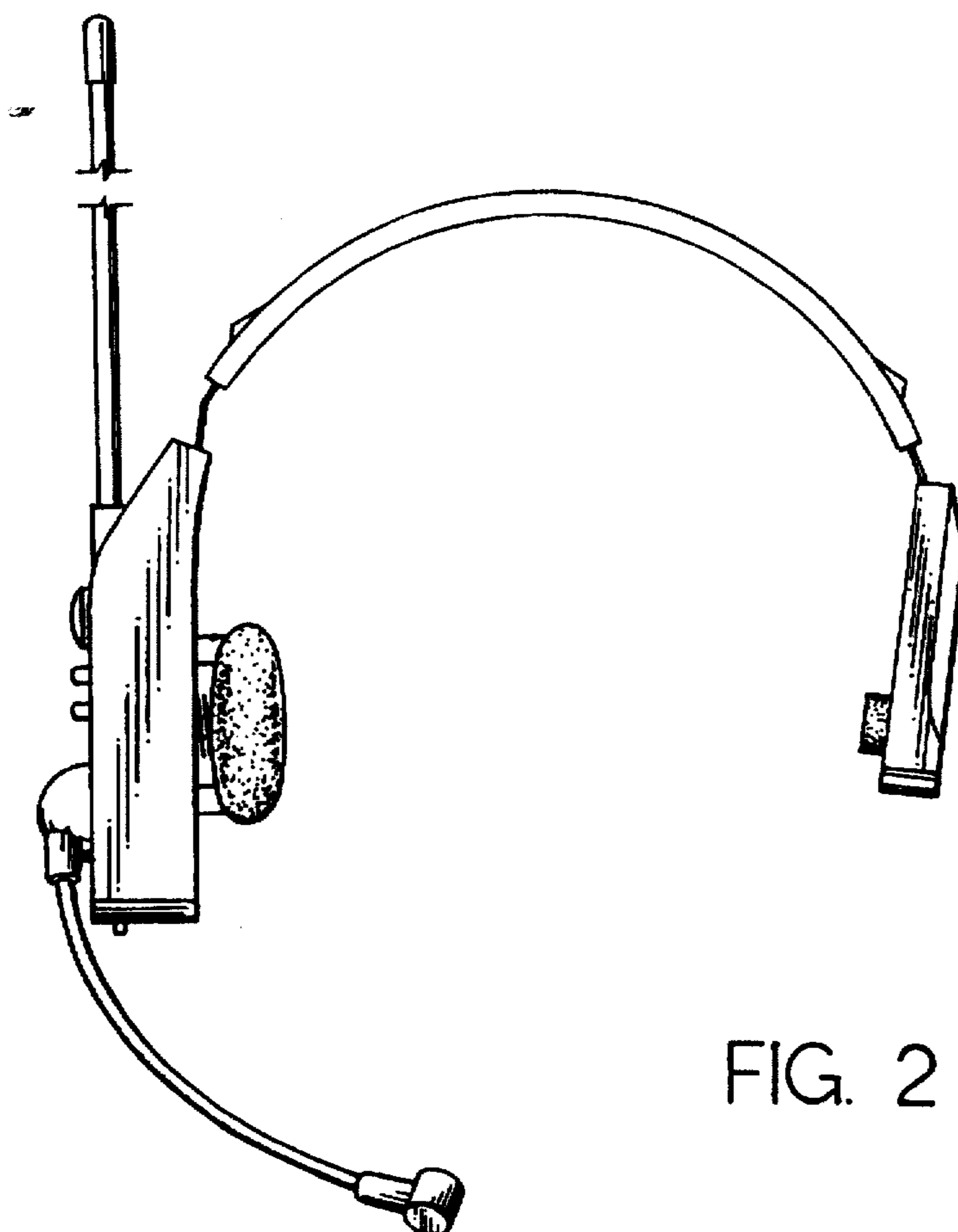


FIG. 2

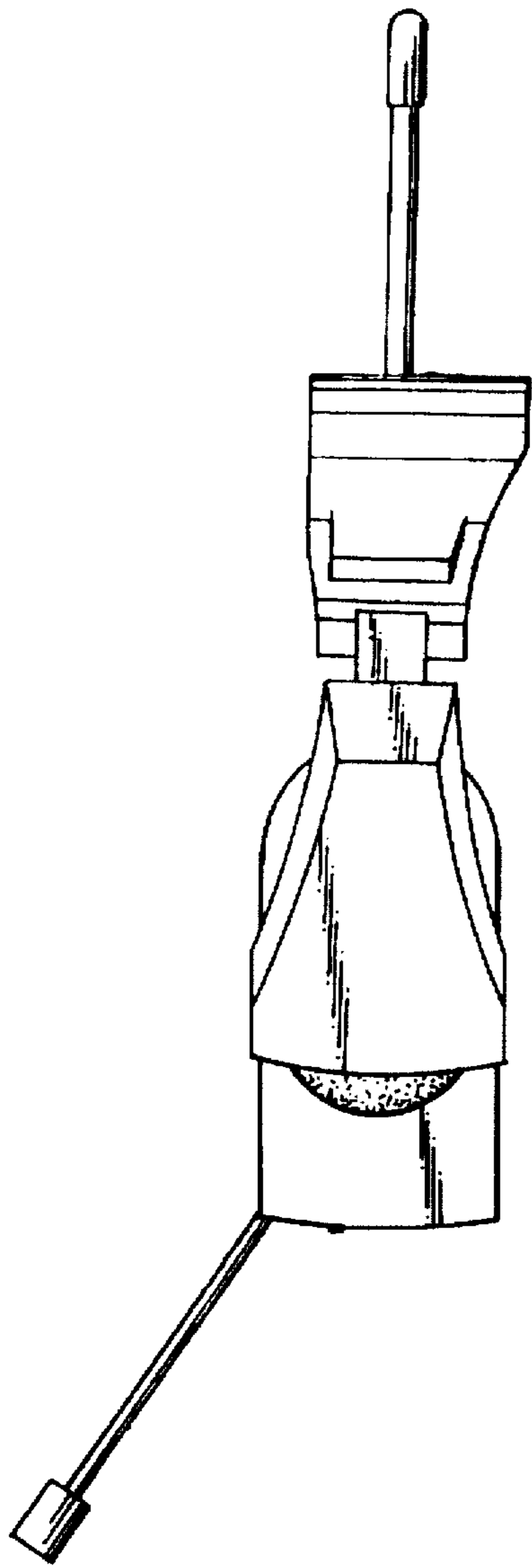


FIG. 3

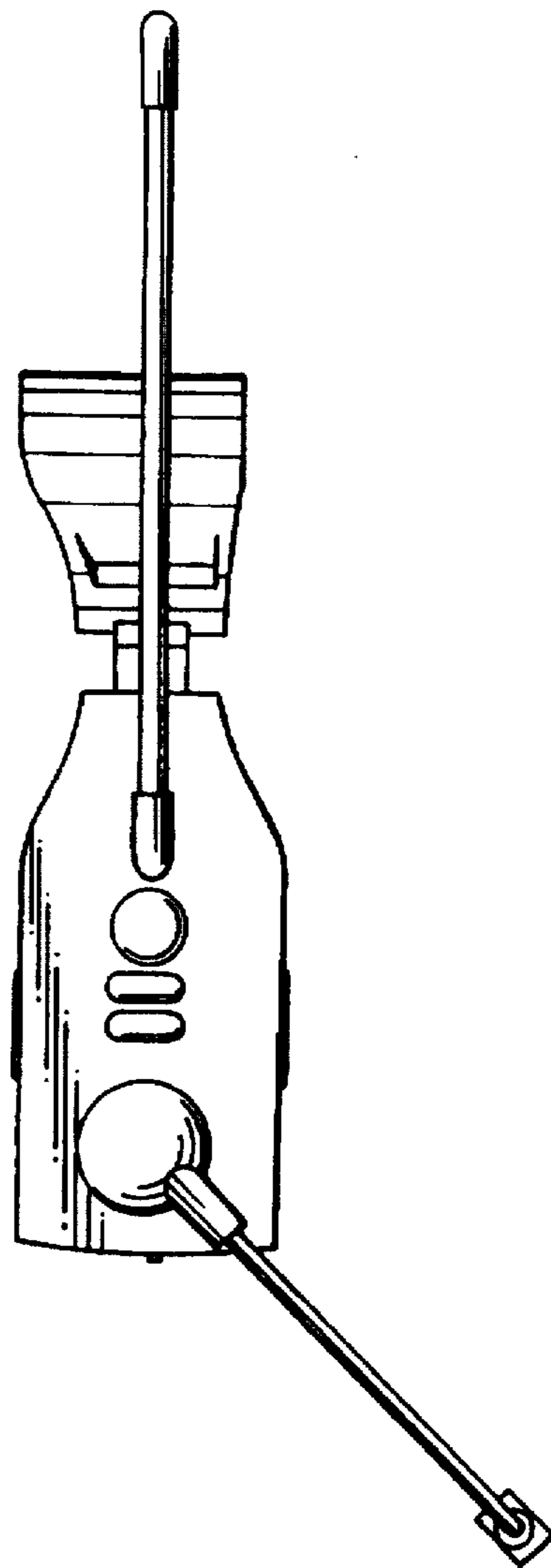


FIG. 4

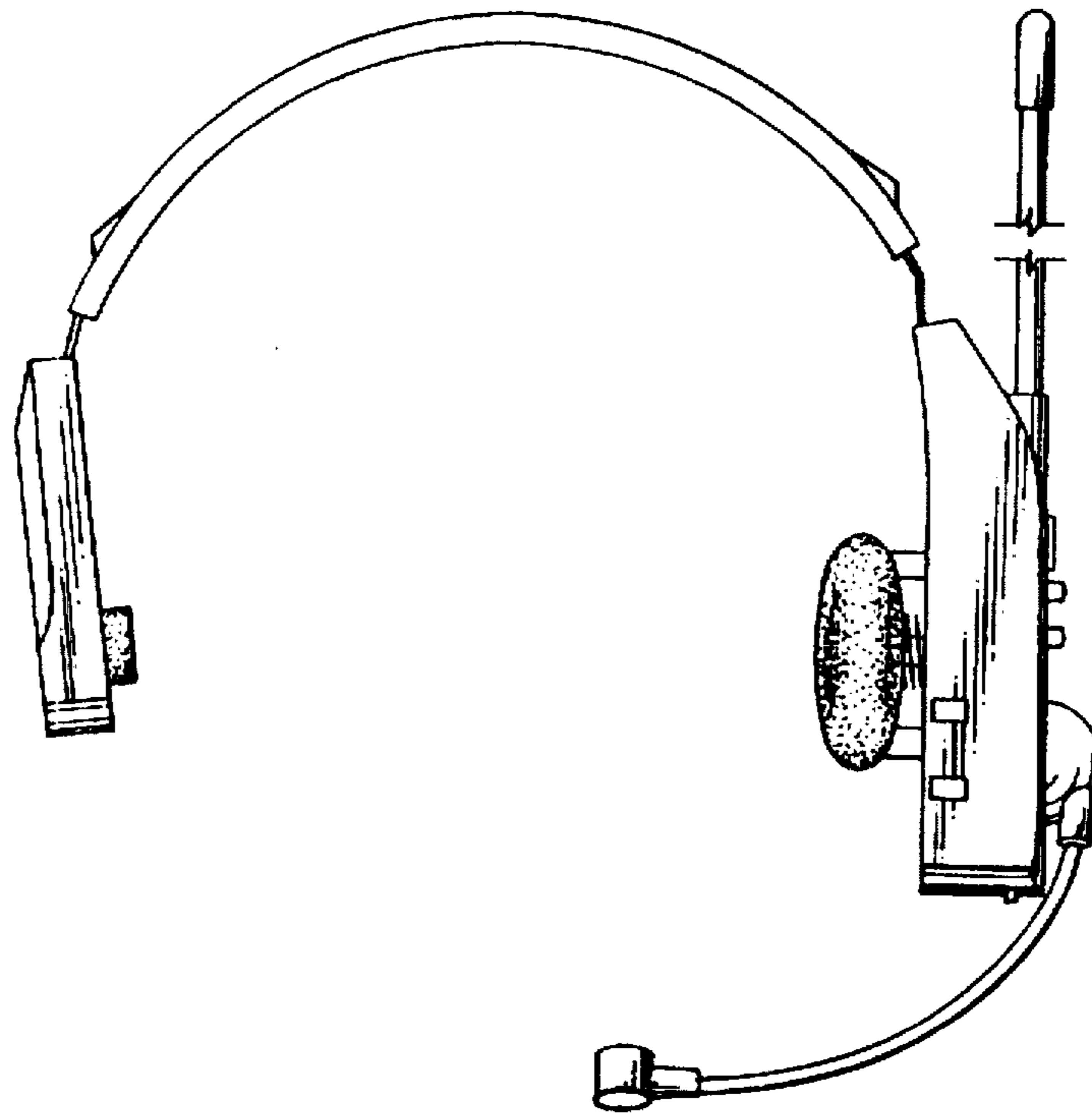


FIG. 5

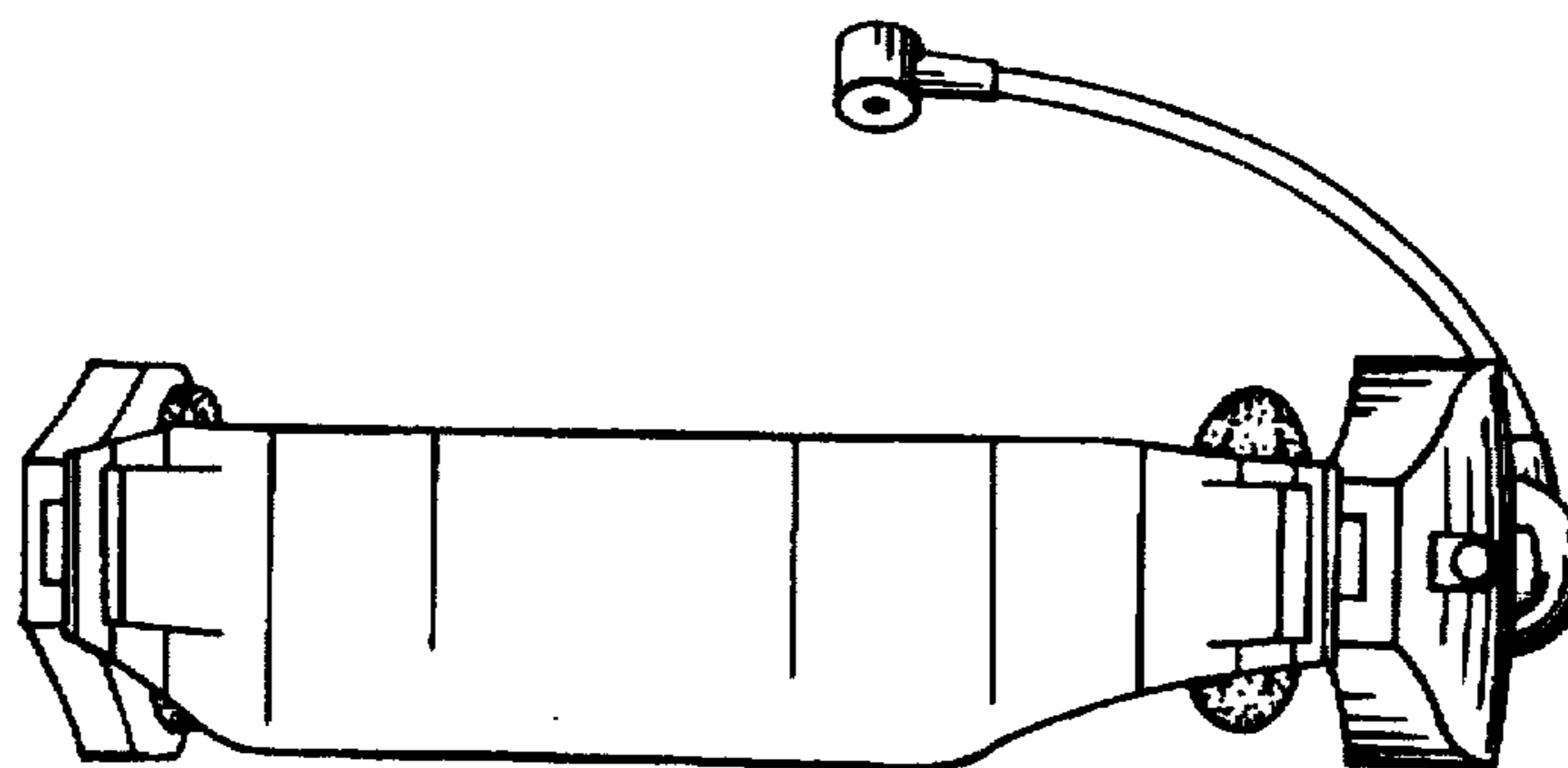


FIG. 6

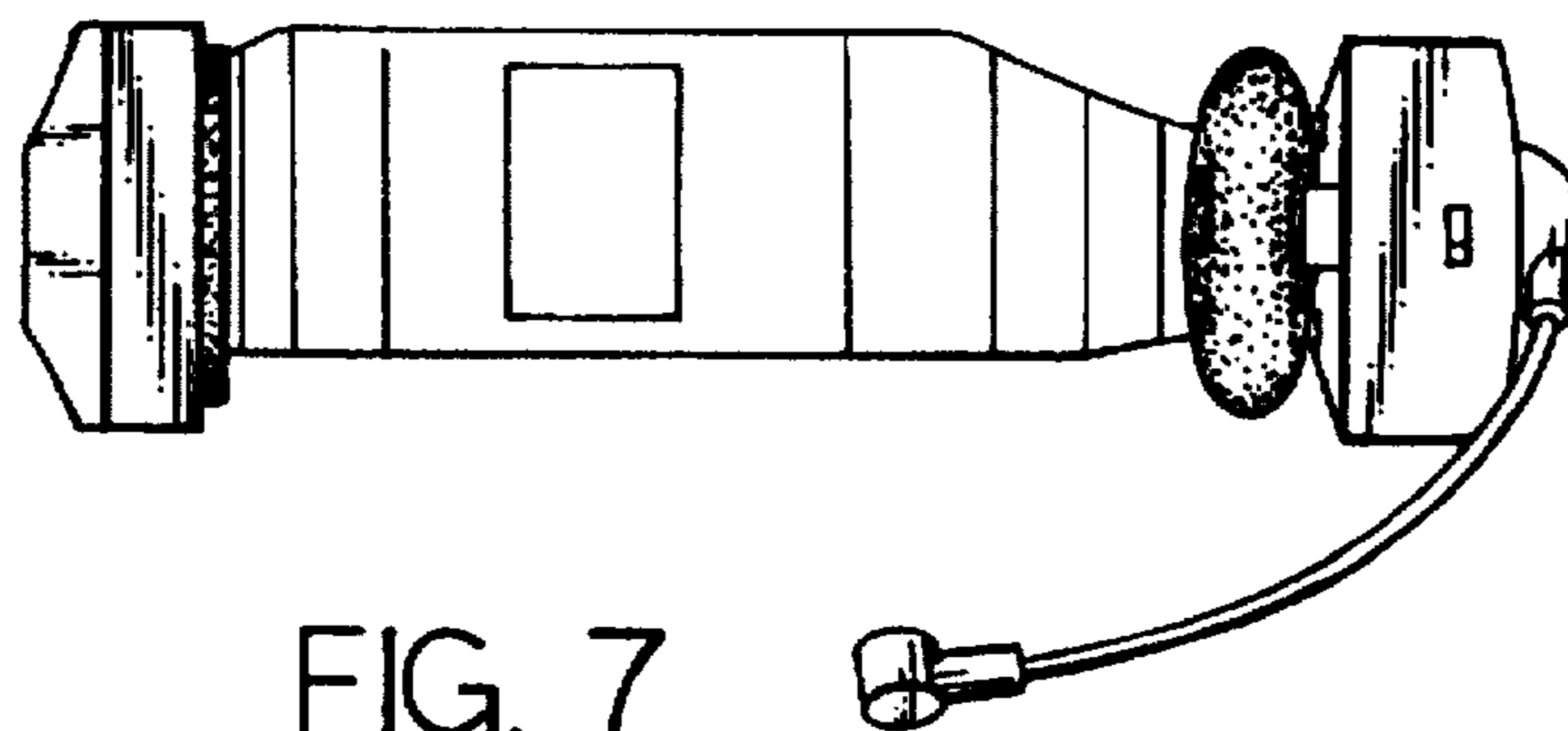


FIG. 7

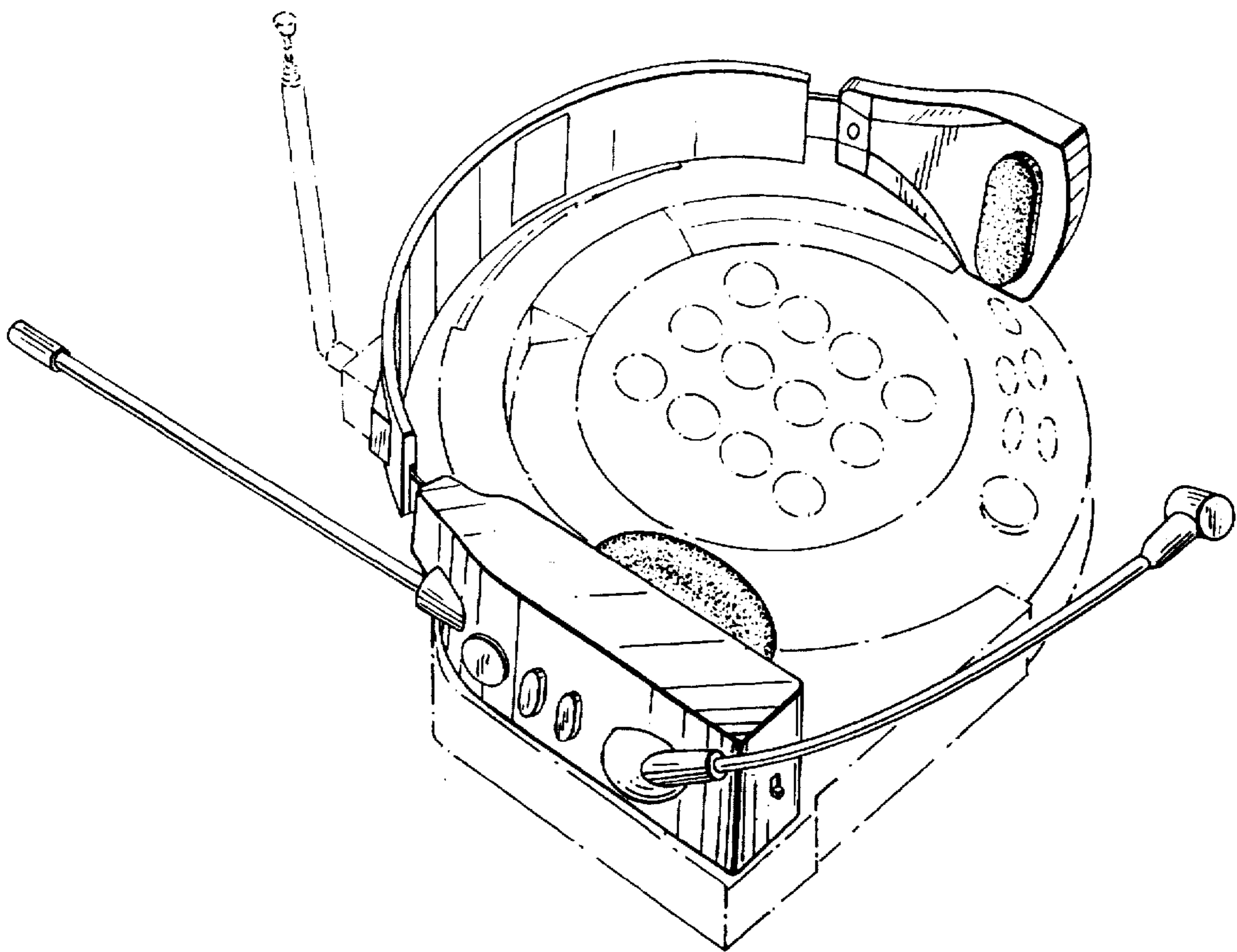


FIG. 8