

US00D394056S

# United States Patent [19] Larian

[11] Patent Number: **Des. 394,056**

[45] Date of Patent: **\*\*May 5, 1998**

[54] **VIRTUAL REALITY WALKIE TALKIE**

D. 383,455 9/1997 MacInness et al. .... 434/43  
4,348,185 9/1982 Breglia et al. .... 434/43

[75] Inventor: **Isaac Larian**, Los Angeles, Calif.

### OTHER PUBLICATIONS

[73] Assignee: **ABC International Traders, Inc.**,  
North Hills, Calif.

Hongkong Enterprise, p. 277, Oct. 1994.

[\*\*] Term: **14 Years**

*Primary Examiner*—Prabhakar G. Deshmukh  
*Attorney, Agent, or Firm*—Oppenheimer Poms Smith

[21] Appl. No.: **76,275**

### [57] CLAIM

[22] Filed: **Sep. 5, 1997**

The ornamental virtual reality walkie talkie, as shown and described.

[51] **LOC (6) Cl.** ..... **02-03**

### DESCRIPTION

[52] **U.S. Cl.** ..... **D14/124**

[58] **Field of Search** ..... D14/124, 137-139;  
D16/133, 900; D29/103, 104, 105; D21/13,  
48; 273/143 B; 463/30-47, 1; 359/480,  
431, 407, 630; 345/7, 8, 9, 905; 348/42,  
53, 115, 838

FIG. 1 is a top, front, left perspective view of my virtual reality walkie talkie;  
FIG. 2 is a front elevation view thereof;  
FIG. 3 is a left side elevation view thereof;  
FIG. 4 is a right side elevation view thereof;  
FIG. 5 is a rear elevation view thereof;  
FIG. 6 is a top plan view thereof; and,  
FIG. 7 is a bottom plan view thereof.

### [56] References Cited

#### U.S. PATENT DOCUMENTS

D. 357,248 4/1995 Cheng ..... D14/137  
D. 359,281 6/1995 Grasso et al. .... D14/137  
D. 369,595 5/1996 Kober et al. .... D14/124  
D. 370,909 6/1996 Oikawa et al. .... D14/124  
D. 375,495 11/1996 MacInness et al. .... D14/124

The broken line showing of a human figure is for illustrative purpose only and forms no part of the claim. The antennas in FIGS. 2-5 show an undetermined length.

**1 Claim, 4 Drawing Sheets**

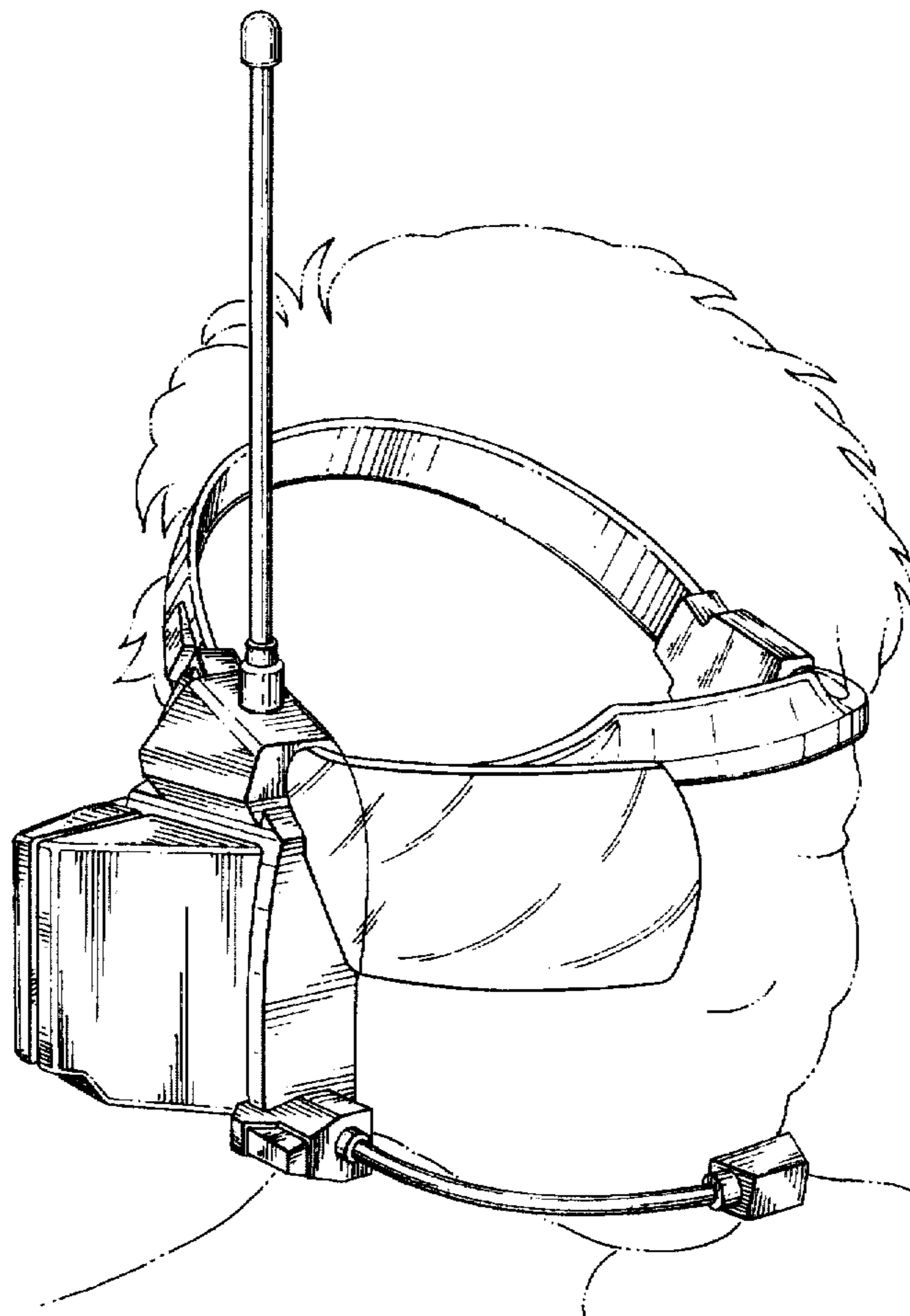


FIG. 1

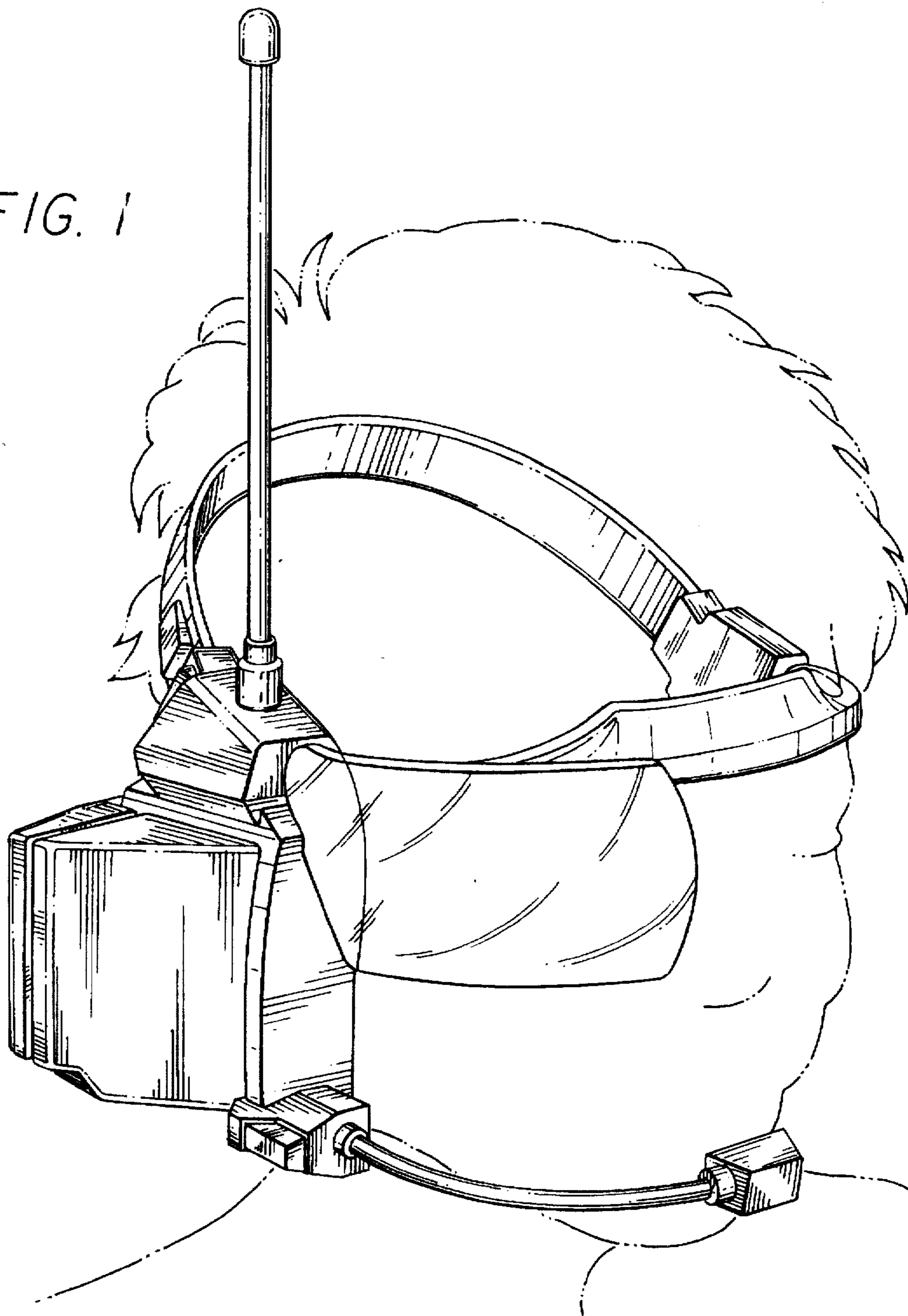


FIG. 2

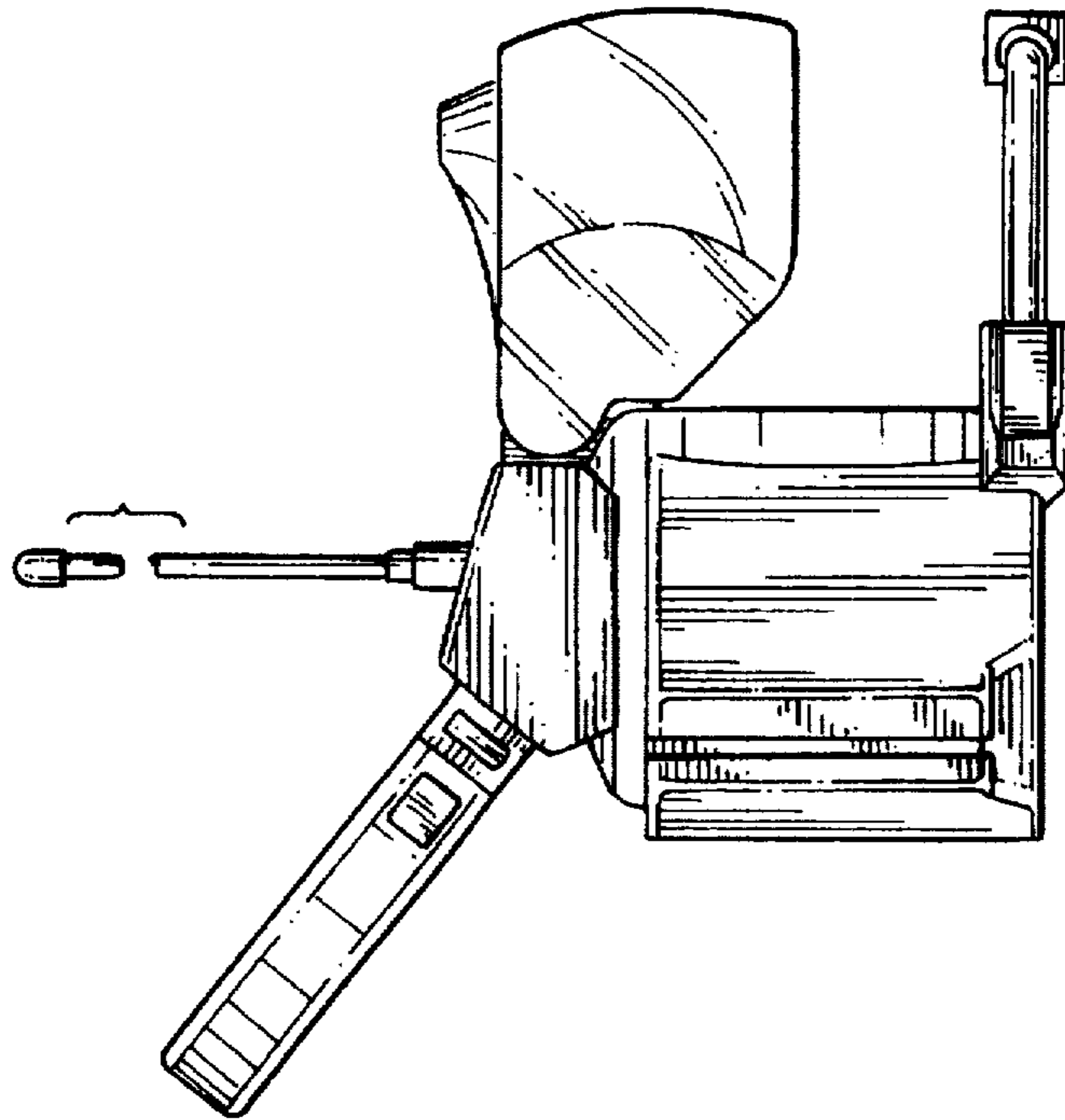
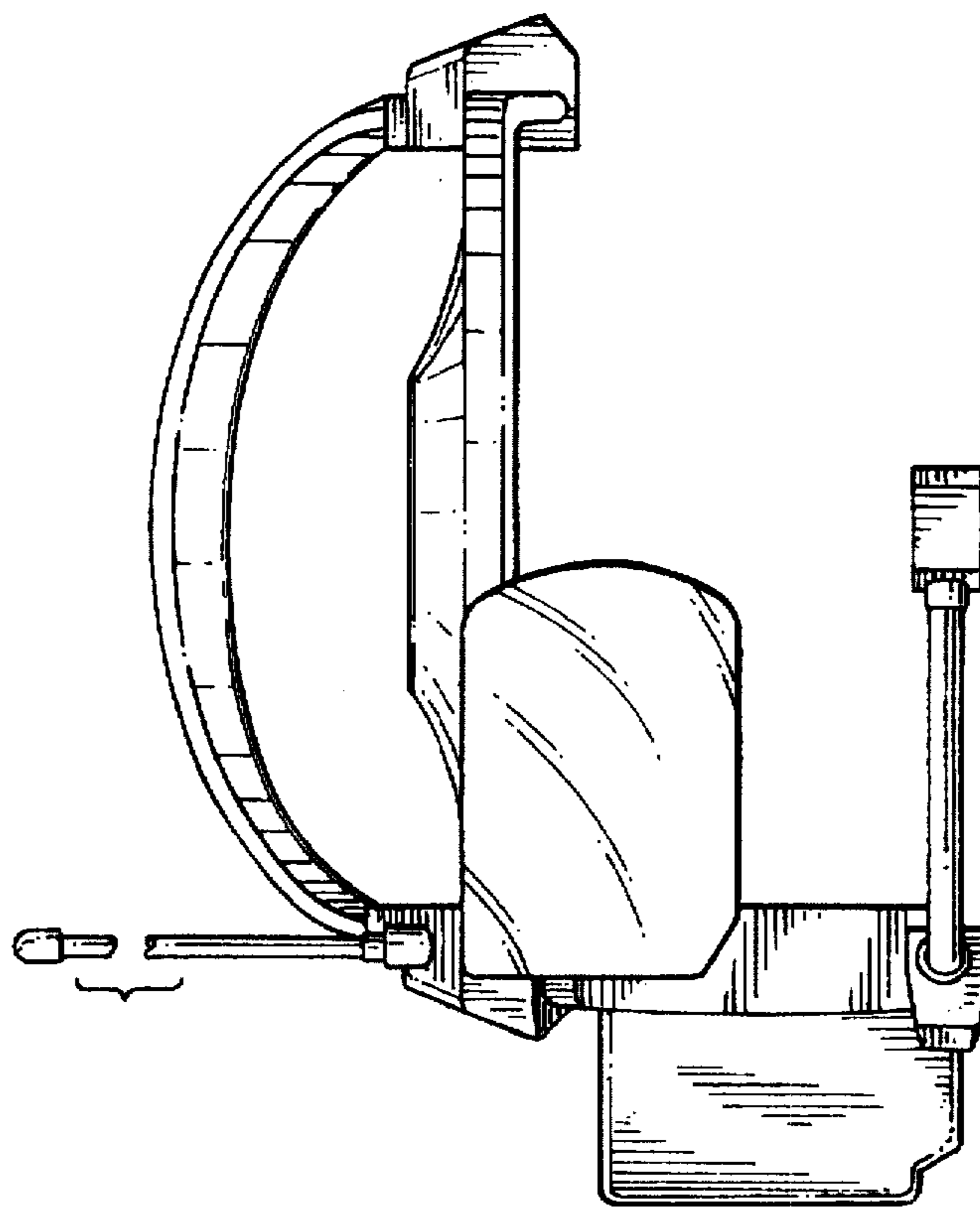


FIG. 3

FIG. 4

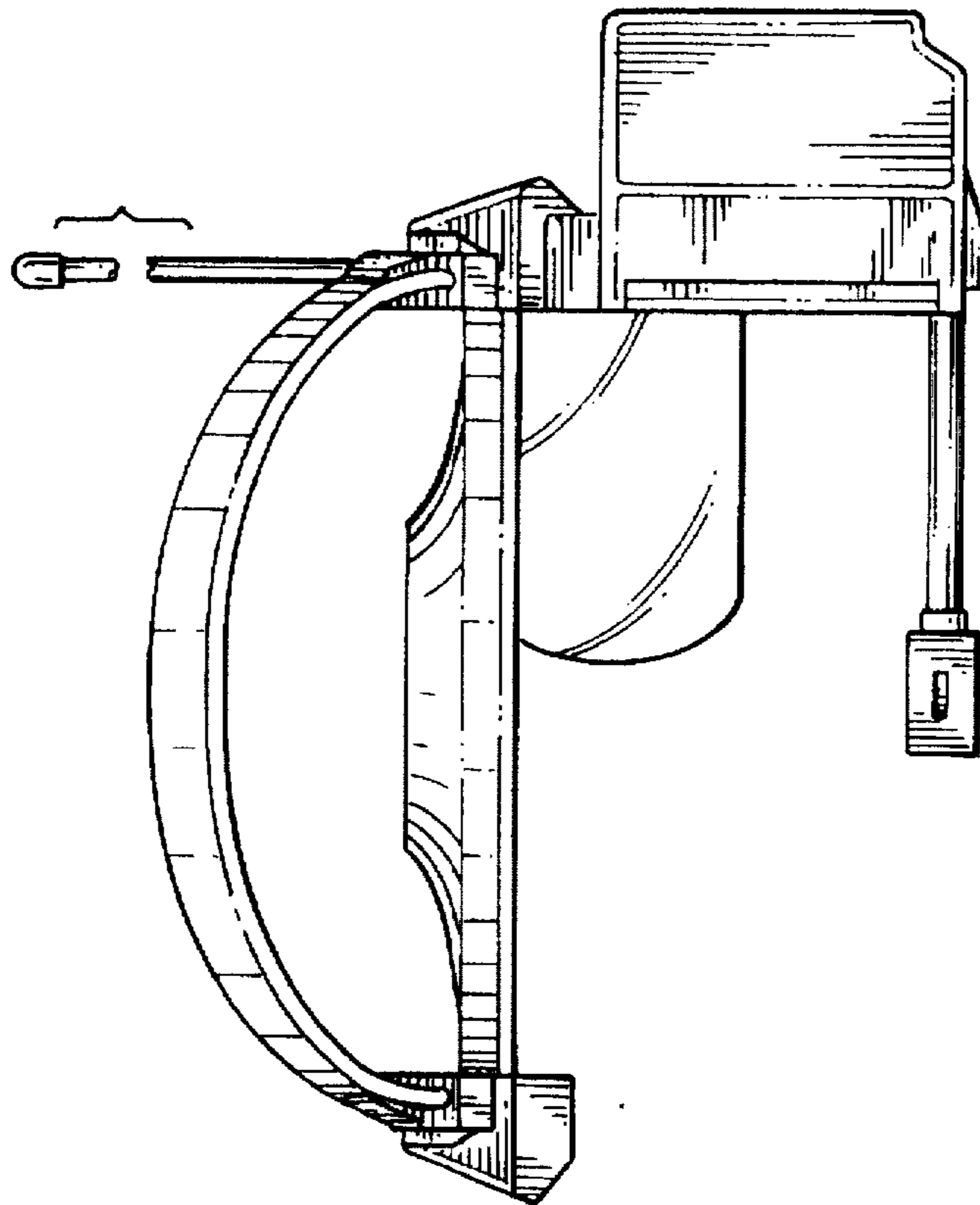
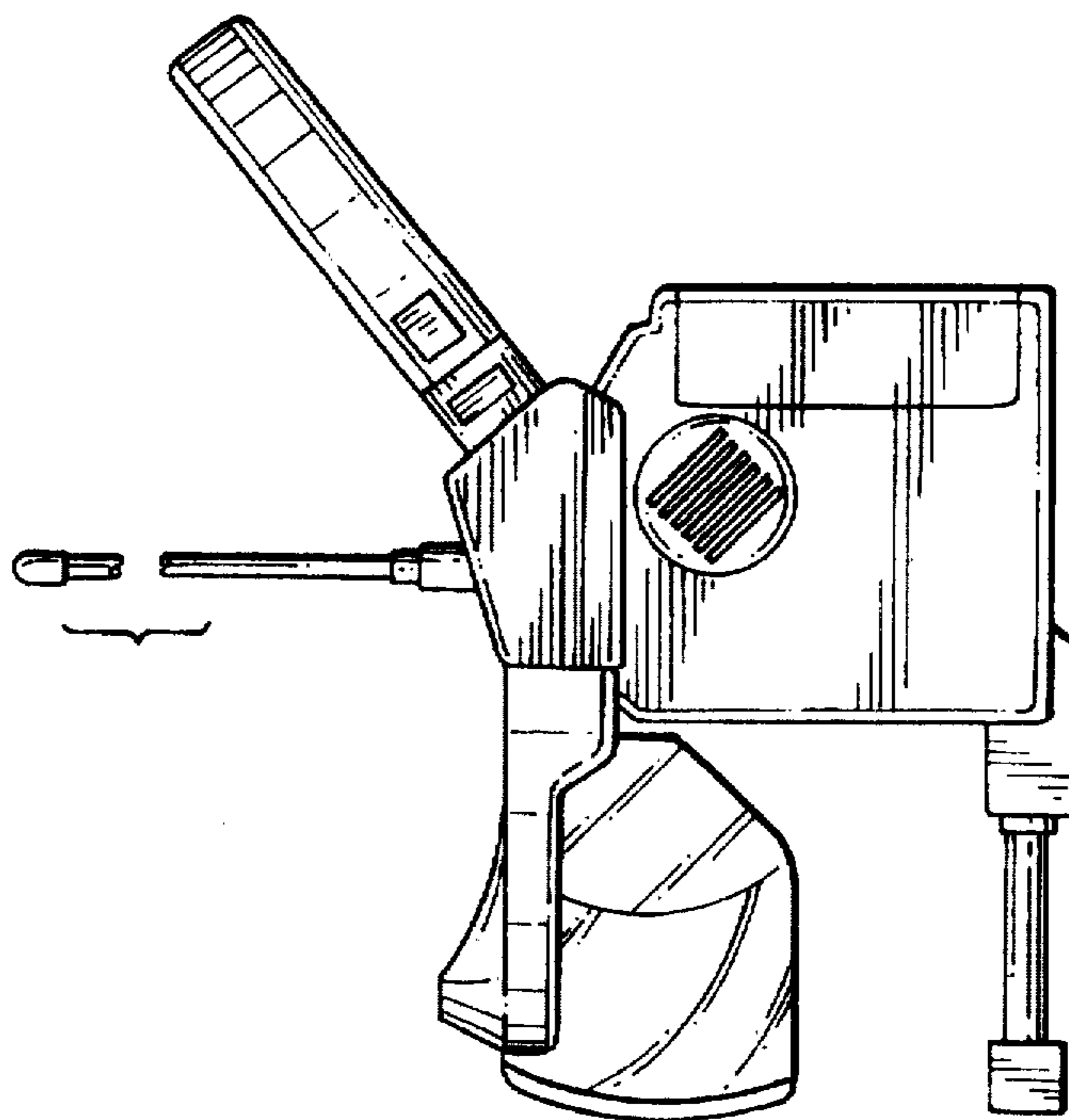


FIG. 5



FIG. 7

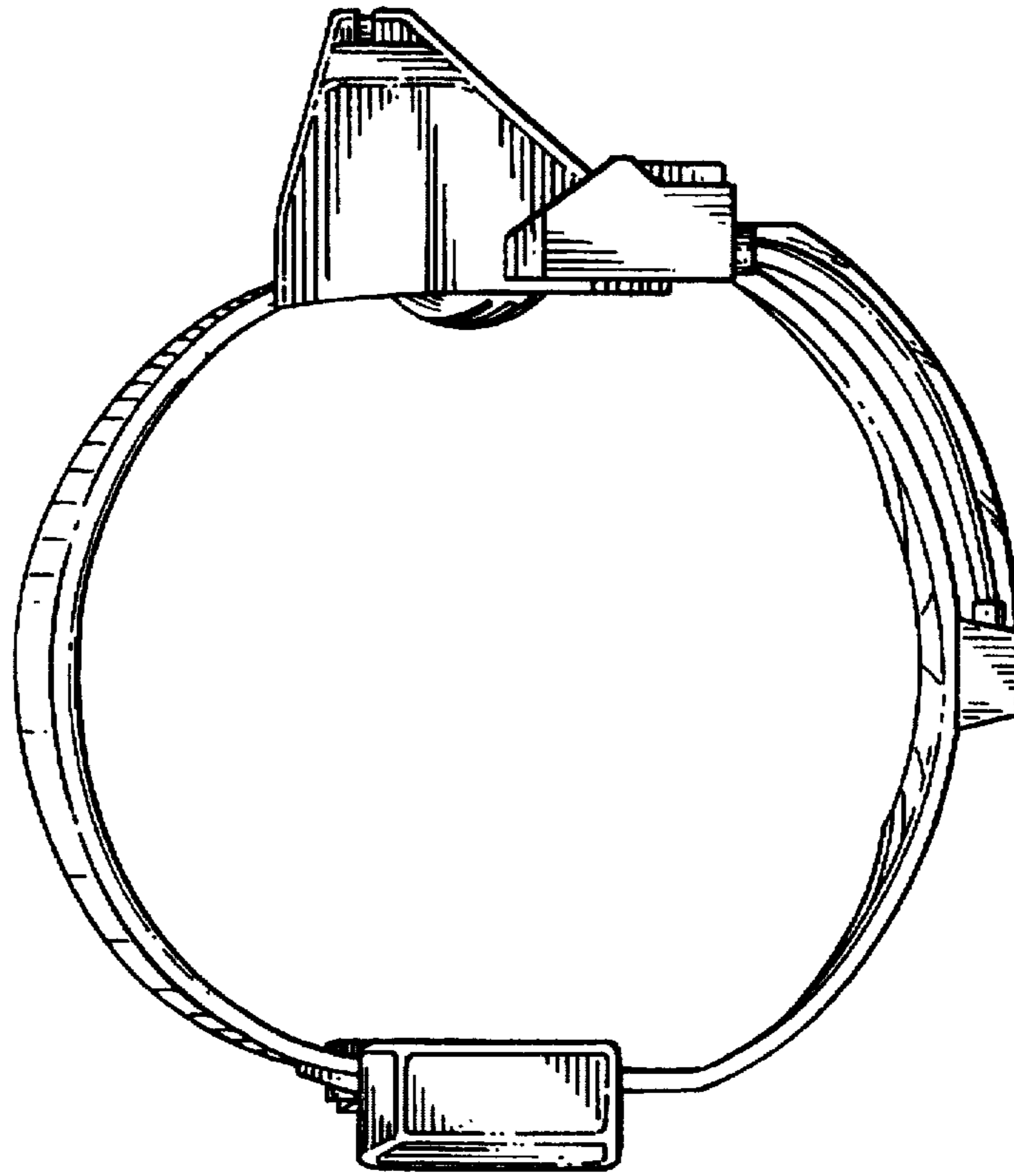


FIG. 6

