



US00D394047S

# United States Patent [19]

Chang et al.

[11] Patent Number: **Des. 394,047**

[45] Date of Patent: **\*\*May 5, 1998**

[54] **SCANNER**

D. 372,227 7/1996 Ohta ..... D14/107

[75] Inventors: **Jack Chang, Taoyuang; Tony Chen, Taipei, both of Taiwan**

*Primary Examiner*—Freda Nunn

[73] Assignee: **UMAX Data Systems Inc., Hsin-Chu, Taiwan**

### [57] CLAIM

The ornamental design for scanner, as shown and described.

[\*\*] Term: **14 Years**

### DESCRIPTION

[21] Appl. No.: **73,134**

FIG. 1 is a perspective view of scanner showing our new design;

[22] Filed: **Jul. 1, 1997**

FIG. 2 is a front elevational view thereof;

[51] LOC (6) Cl. .... **14-02**

FIG. 3 is a rear elevational view thereof;

[52] U.S. Cl. .... **D14/107**

FIG. 4 is a left side elevational view thereof;

[58] **Field of Search** ..... D14/100, 105, D14/107, 118; D16/208, 214, 223, 232, 202; 250/556; 355/64, 65, 75; 235/454, 462, 470, 380, 382, 382.5

FIG. 5 is a right side elevational view thereof;

FIG. 6 is a top view thereof;

FIG. 7 is a bottom view thereof; and,

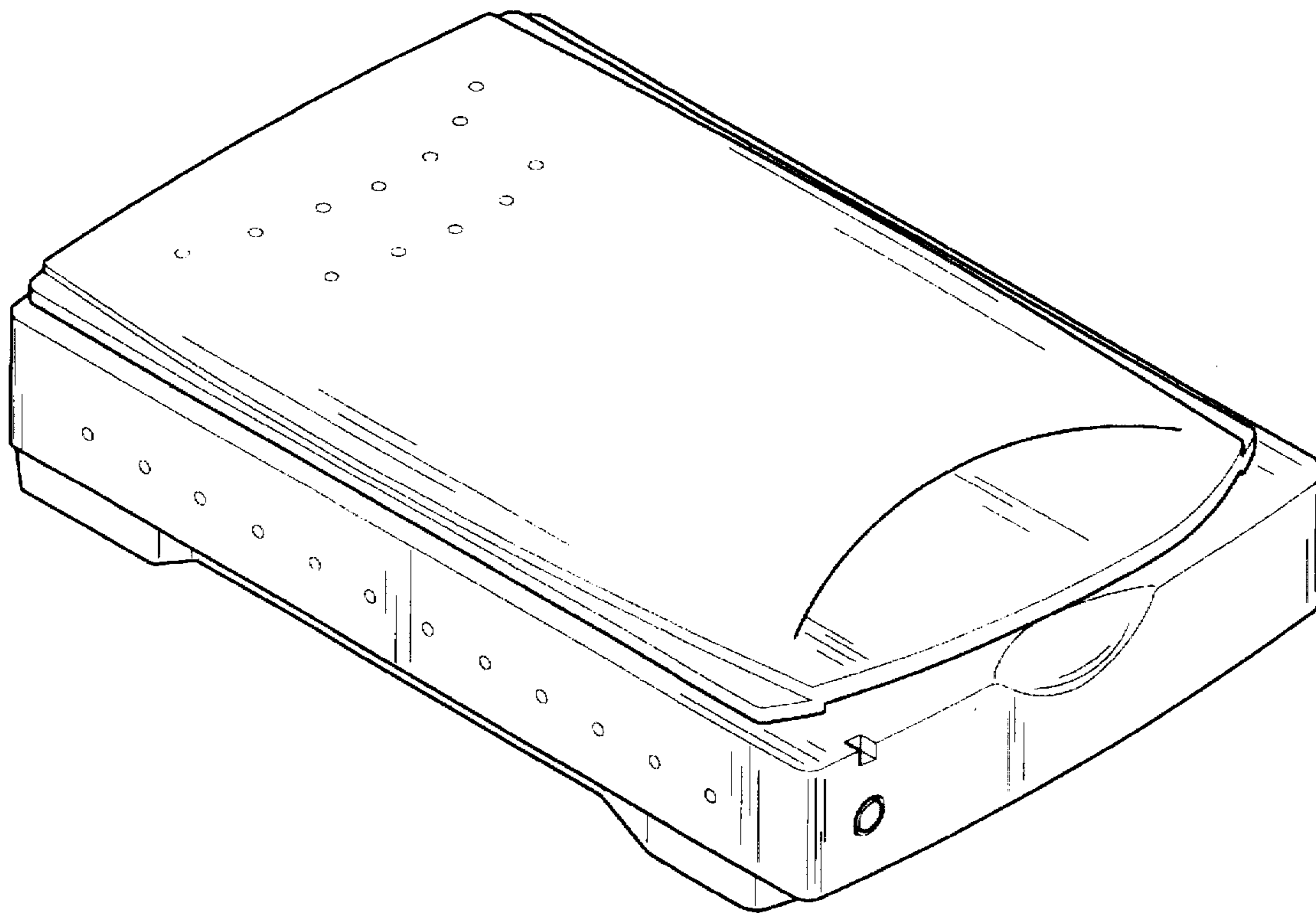
FIG. 8 is a perspective view of scanner showing the top cover opened.

### [56] References Cited

#### U.S. PATENT DOCUMENTS

D. 366,467 1/1996 Masujima et al. .... D14/107

**1 Claim, 8 Drawing Sheets**



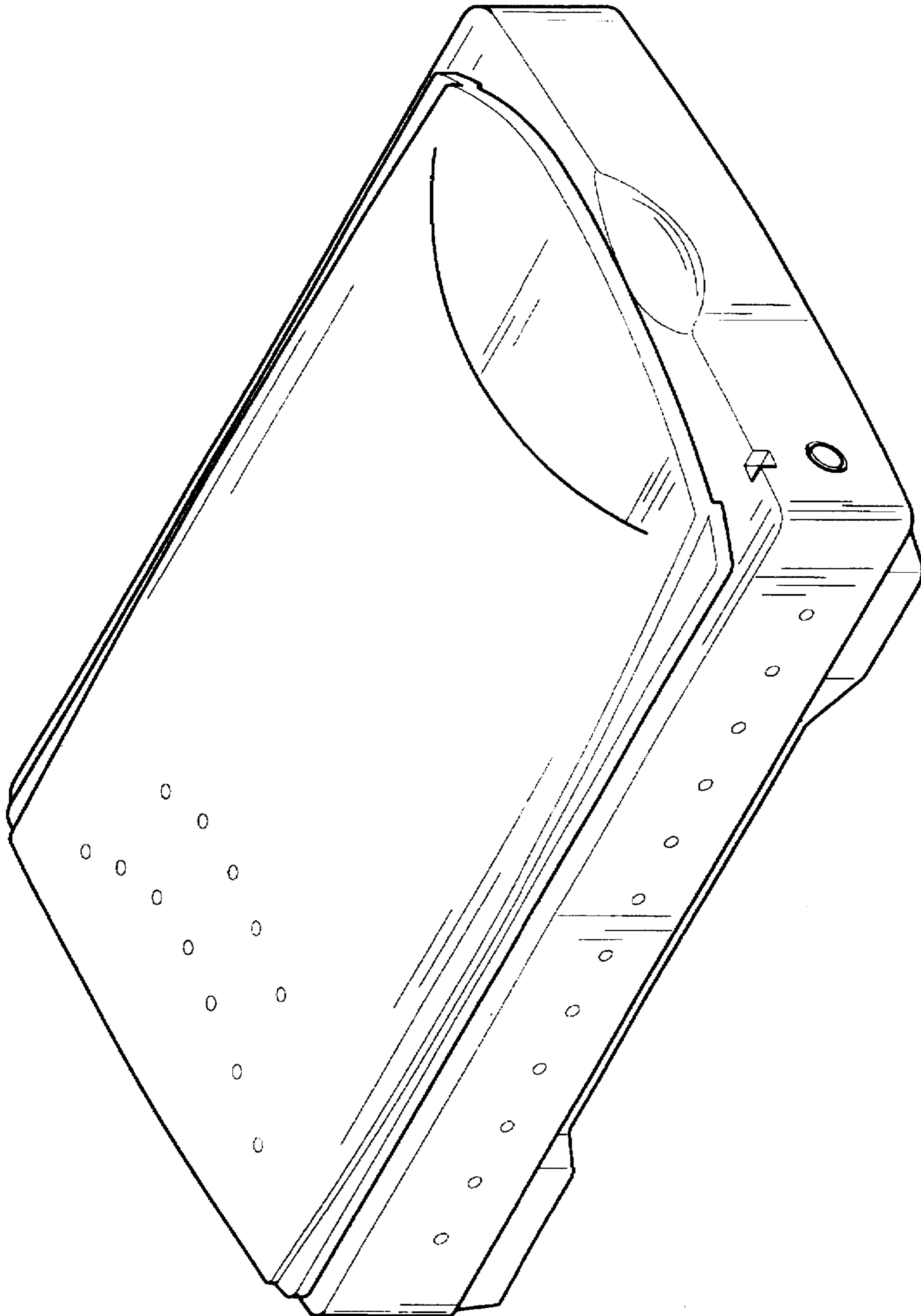


FIG. 1

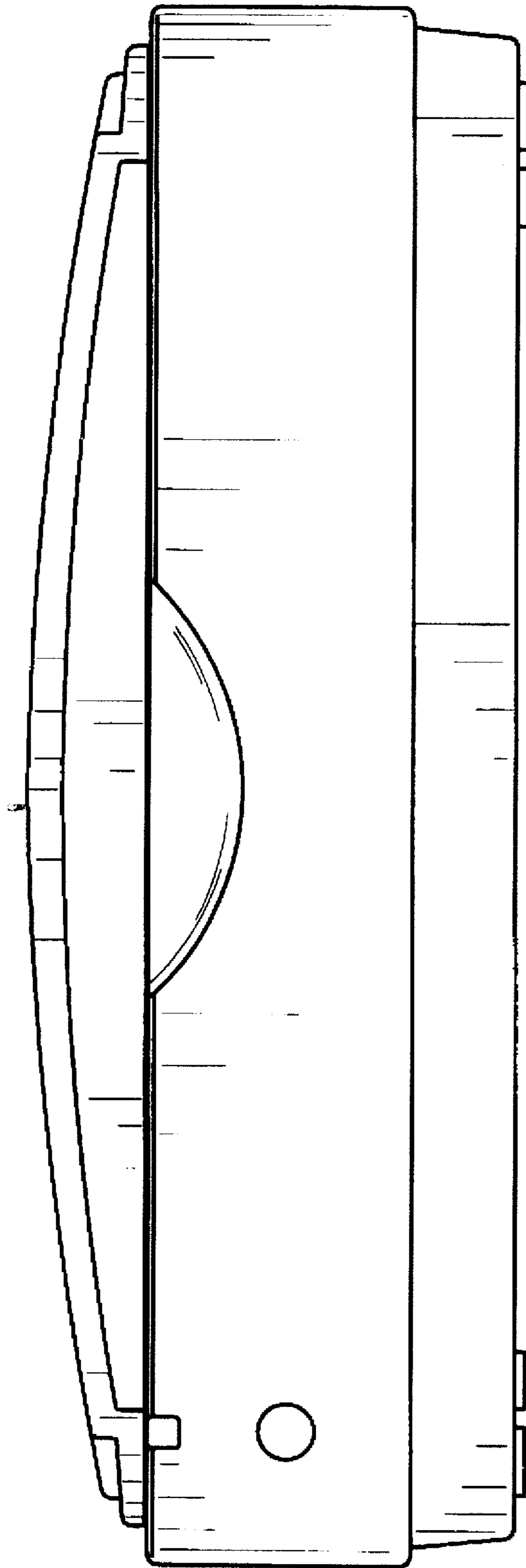


FIG. 2

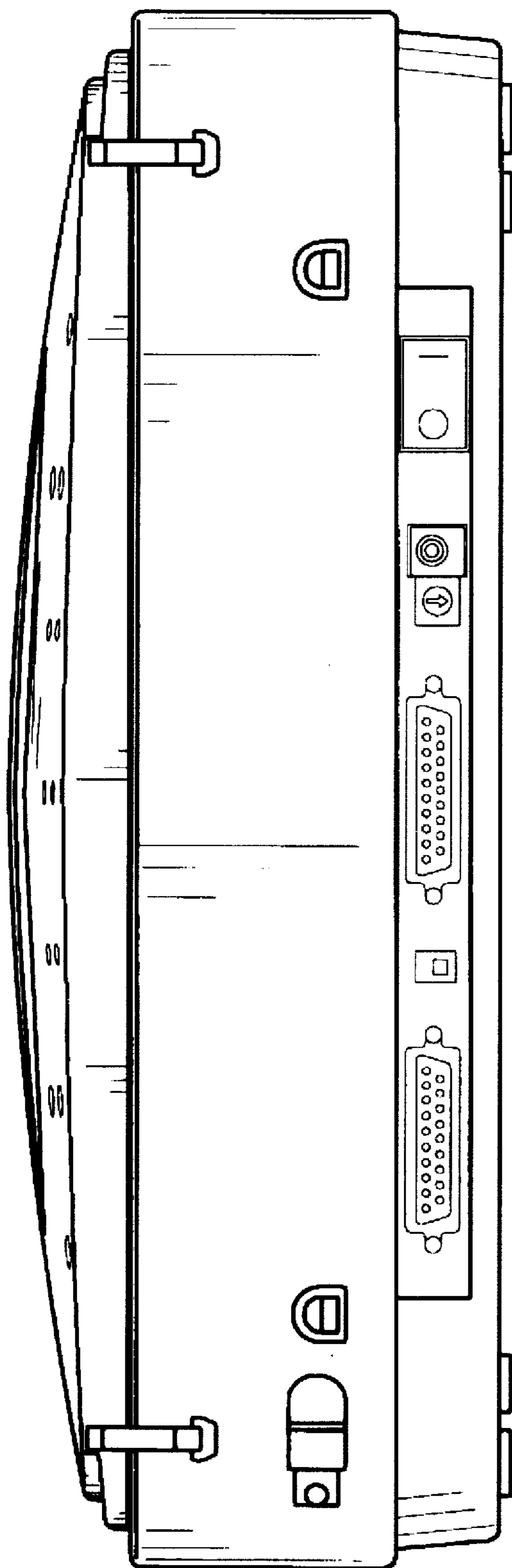


FIG. 3

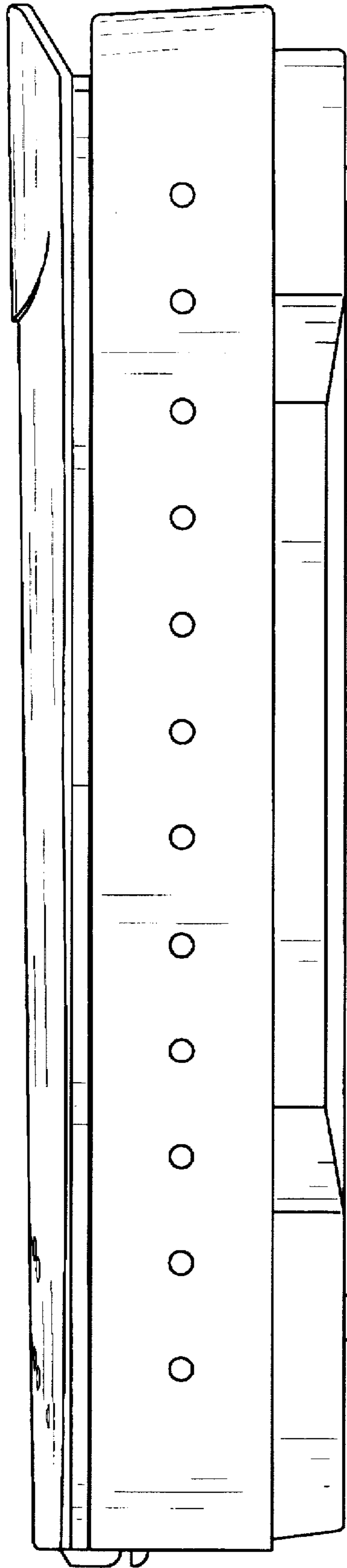


FIG. 4

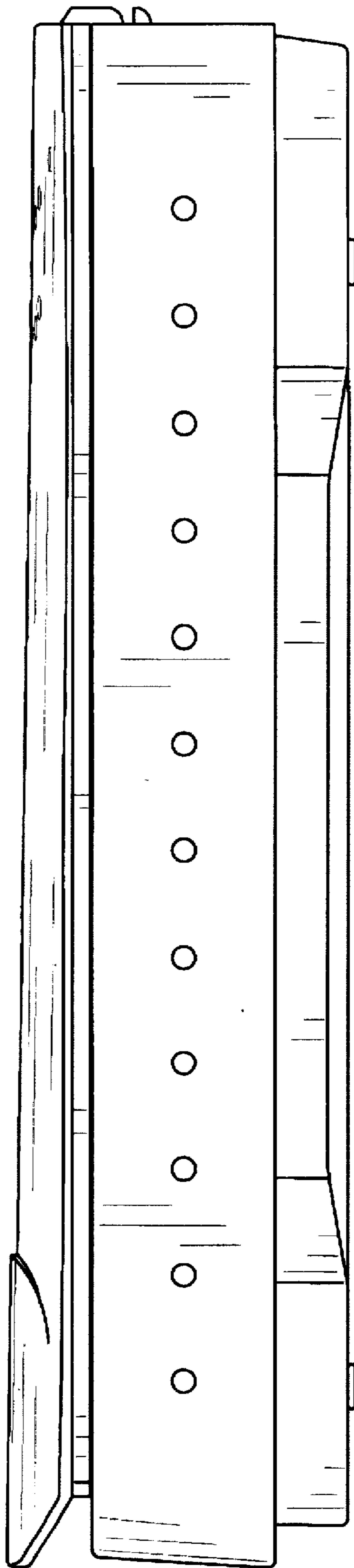


FIG. 5

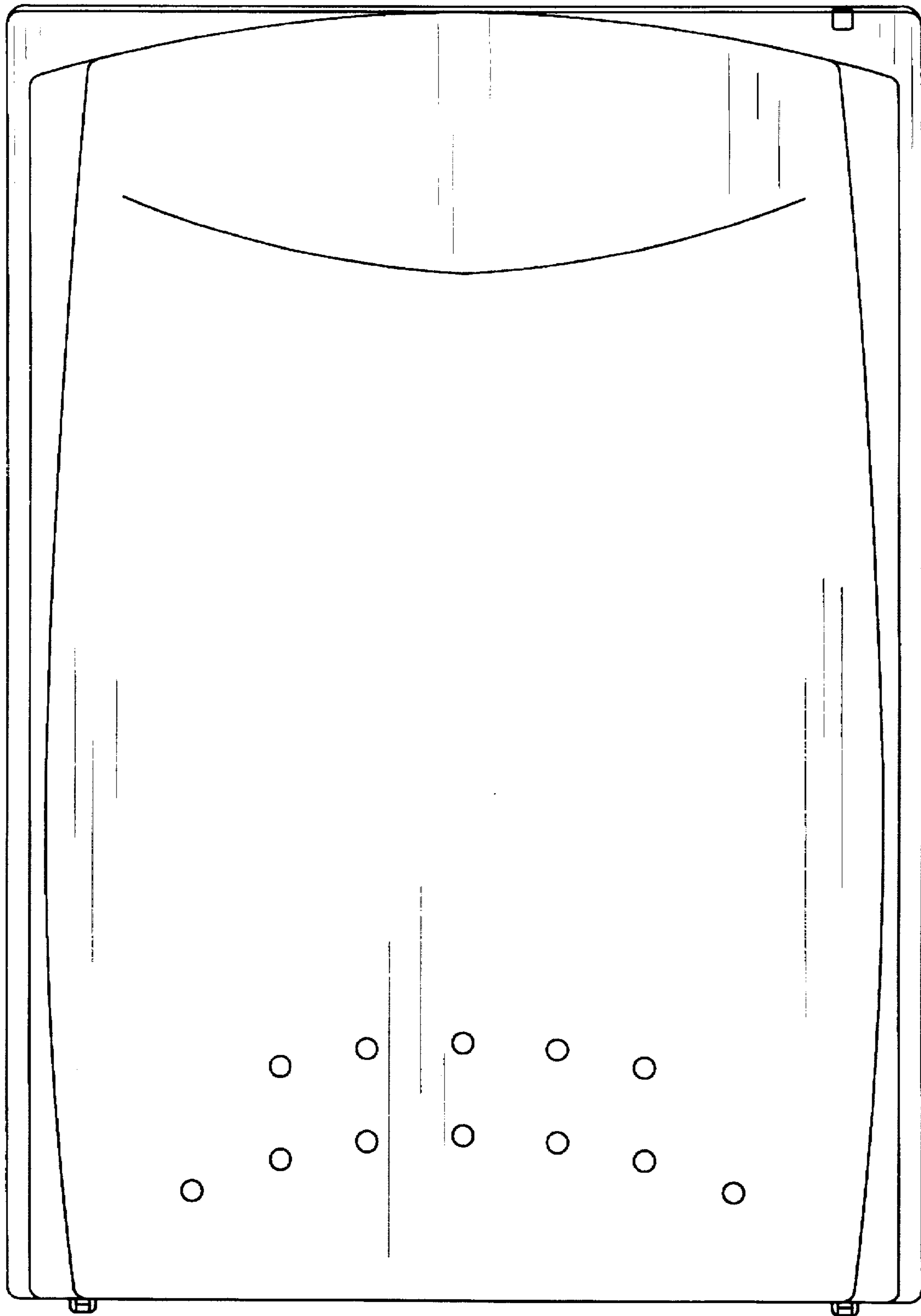


FIG. 6

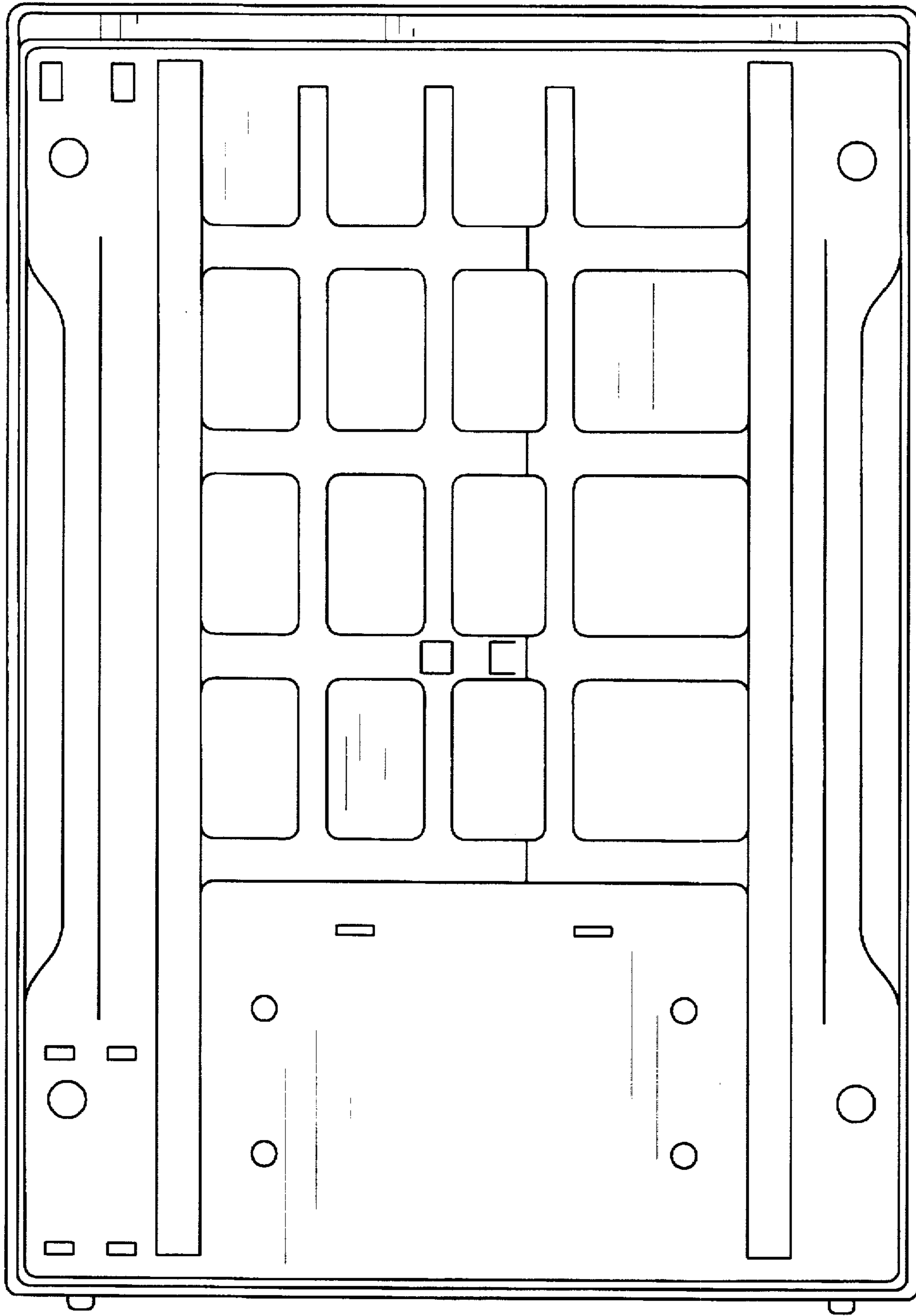


FIG. 7



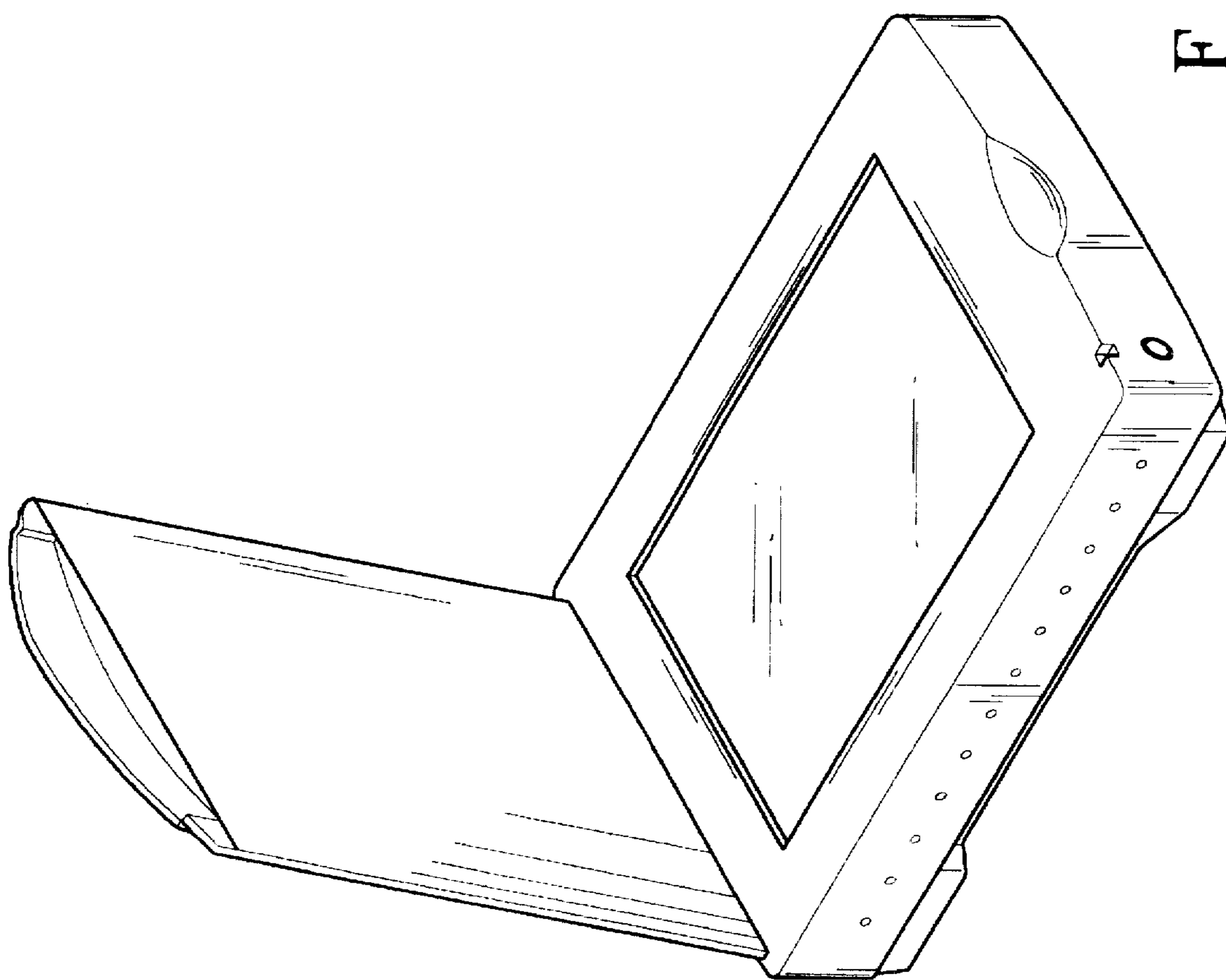


FIG. 8