



US00D394043S

**United States Patent** [19]  
**Campanella et al.**

[11] **Patent Number:** **Des. 394,043**  
[45] **Date of Patent:** **\*\*May 5, 1998**

[54] **CLAMPING HEAT SINK**  
[75] **Inventors:** **Vincent Campanella**, Wakefield;  
**Oswaldo M. Vasconcelos**, Milton, both  
of Mass.  
[73] **Assignee:** **Wakefield Engineering, Inc.**,  
Wakefield, Mass.  
[\*\*] **Term:** **14 Years**

3,407,868 10/1968 Coe .  
3,893,161 7/1975 Pesak, Jr. .  
4,054,901 10/1977 Edwards et al. .  
4,261,005 4/1981 McCarthy .  
4,729,426 3/1988 Hinshaw .  
5,019,942 5/1991 Clemens ..... 361/709  
5,309,979 5/1994 Brauer ..... 165/80.2  
5,381,041 1/1995 Harmon .  
5,611,393 3/1997 Vasconcelos ..... 165/80.3

[21] **Appl. No.:** **50,717**  
[22] **Filed:** **Feb. 23, 1996**  
[51] **LOC (6) Cl.** ..... **13-03**  
[52] **U.S. Cl.** ..... **D13/179**  
[58] **Field of Search** ..... **D13/179; 174/15.1,**  
**174/16.3; 165/80.3, 185; 257/713, 718,**  
**719, 722, 732, 796; 361/697, 704, 709,**  
**710**

*Primary Examiner*—James Gandy  
*Assistant Examiner*—Cathron B. Matta  
*Attorney, Agent, or Firm*—Blodgett & Blodgett, P.C.

[57] **CLAIM**

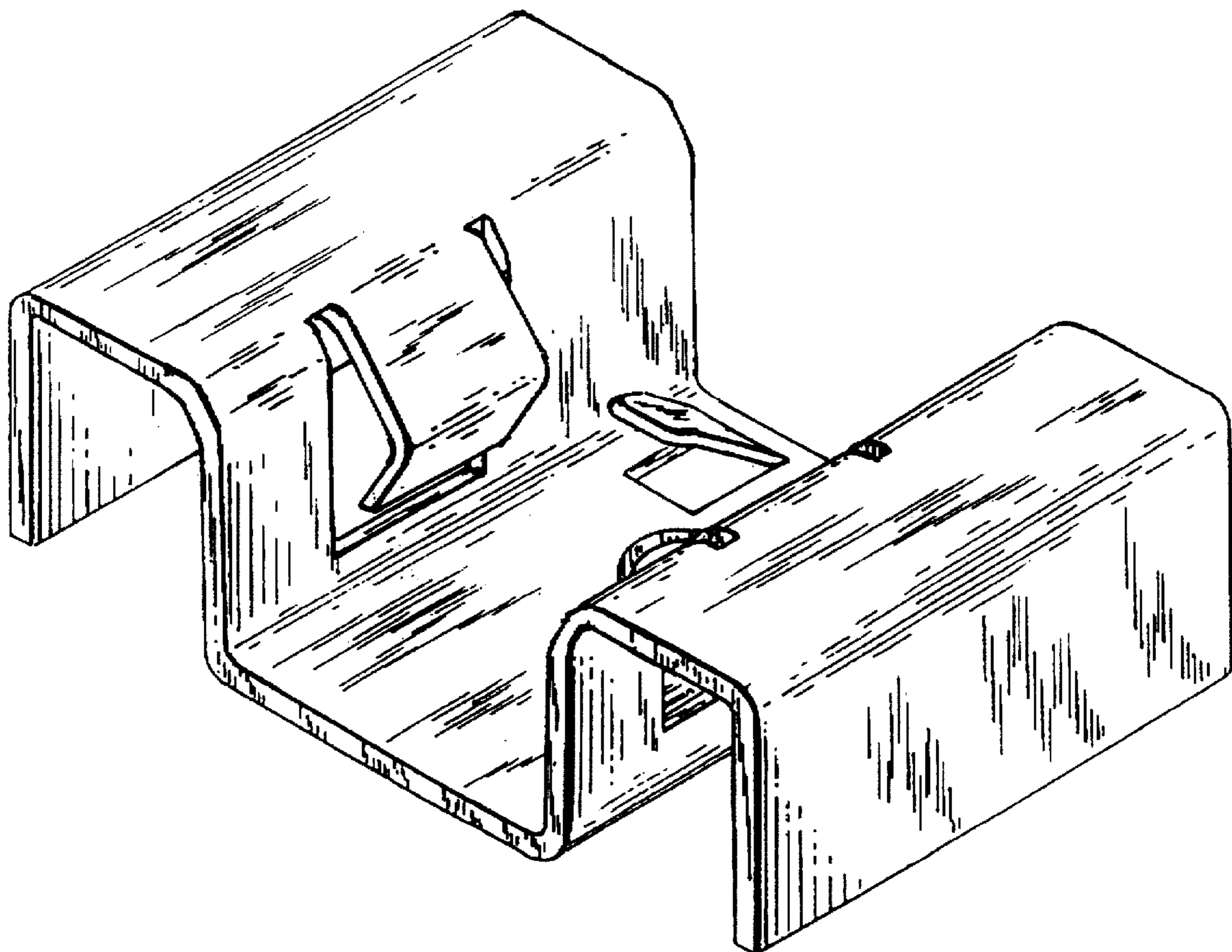
The ornamental design for clamping heat sink, as shown and described.

**DESCRIPTION**

FIG. 1 is an isometric of a clamping heat sink showing a new design;  
FIG. 2 is a front elevational view thereof;  
FIG. 3 is a rear elevational view thereof;  
FIG. 4 is a top plan view thereof;  
FIG. 5 is a bottom plan view thereof; and,  
FIG. 6 is a right side elevational view thereof, the left side elevational view being a mirror image of that shown.

[56] **References Cited**  
**U.S. PATENT DOCUMENTS**  
D. 269,606 7/1983 Jordan et al. .  
D. 280,811 10/1985 Moore .  
D. 283,813 5/1986 McCarthy .  
D. 357,227 4/1995 Smithers ..... D13/179  
D. 361,986 9/1995 Harmon ..... D13/179

**1 Claim, 2 Drawing Sheets**



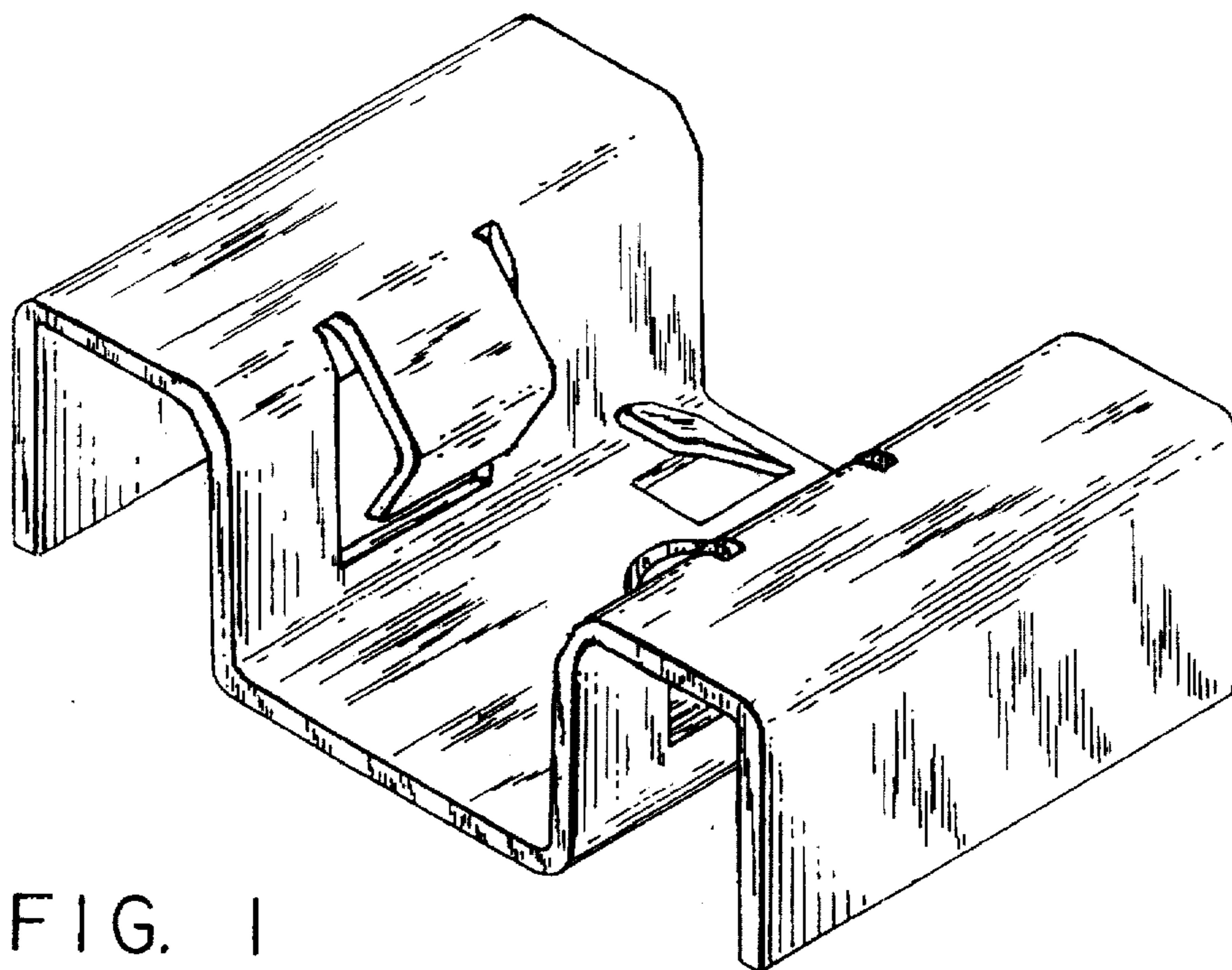


FIG. 1

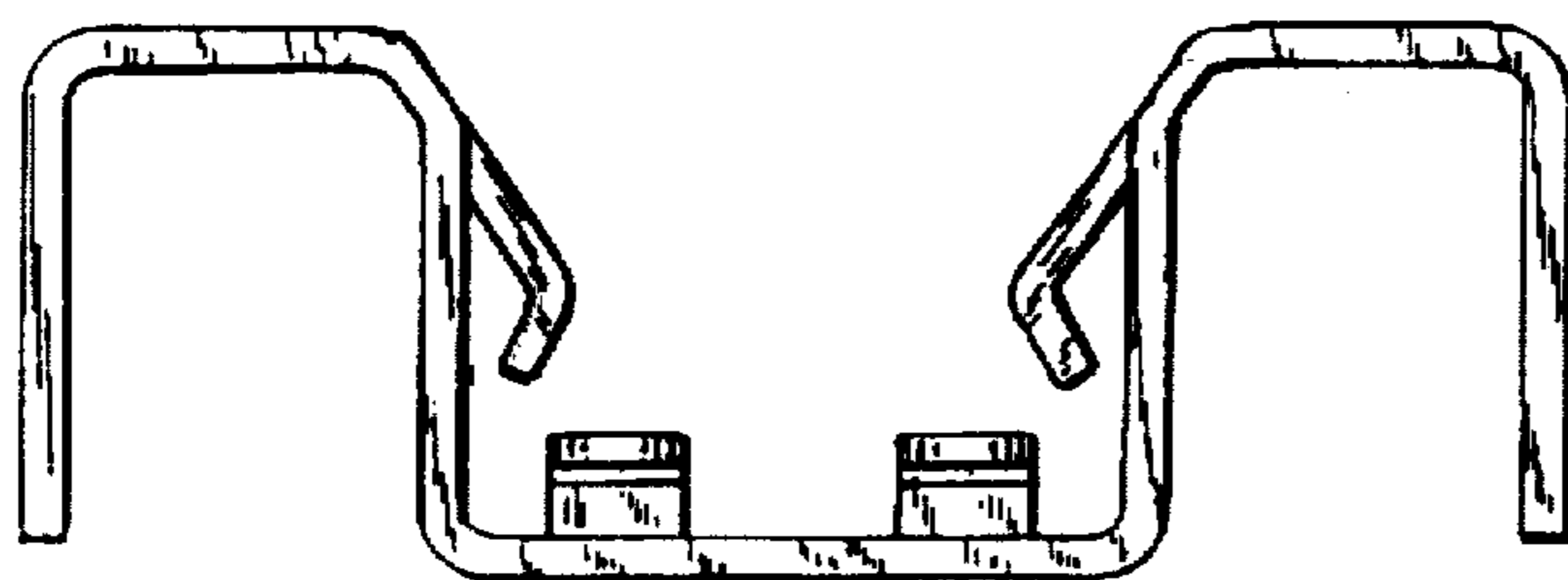


FIG. 2

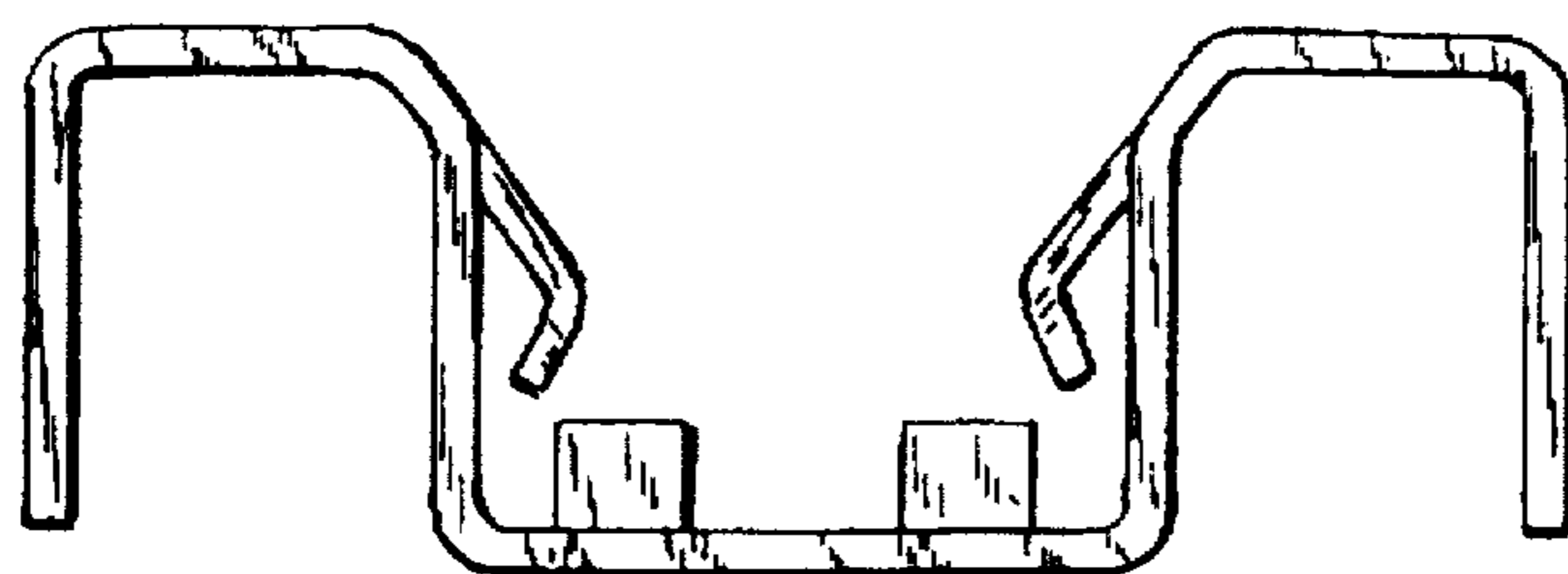


FIG 3

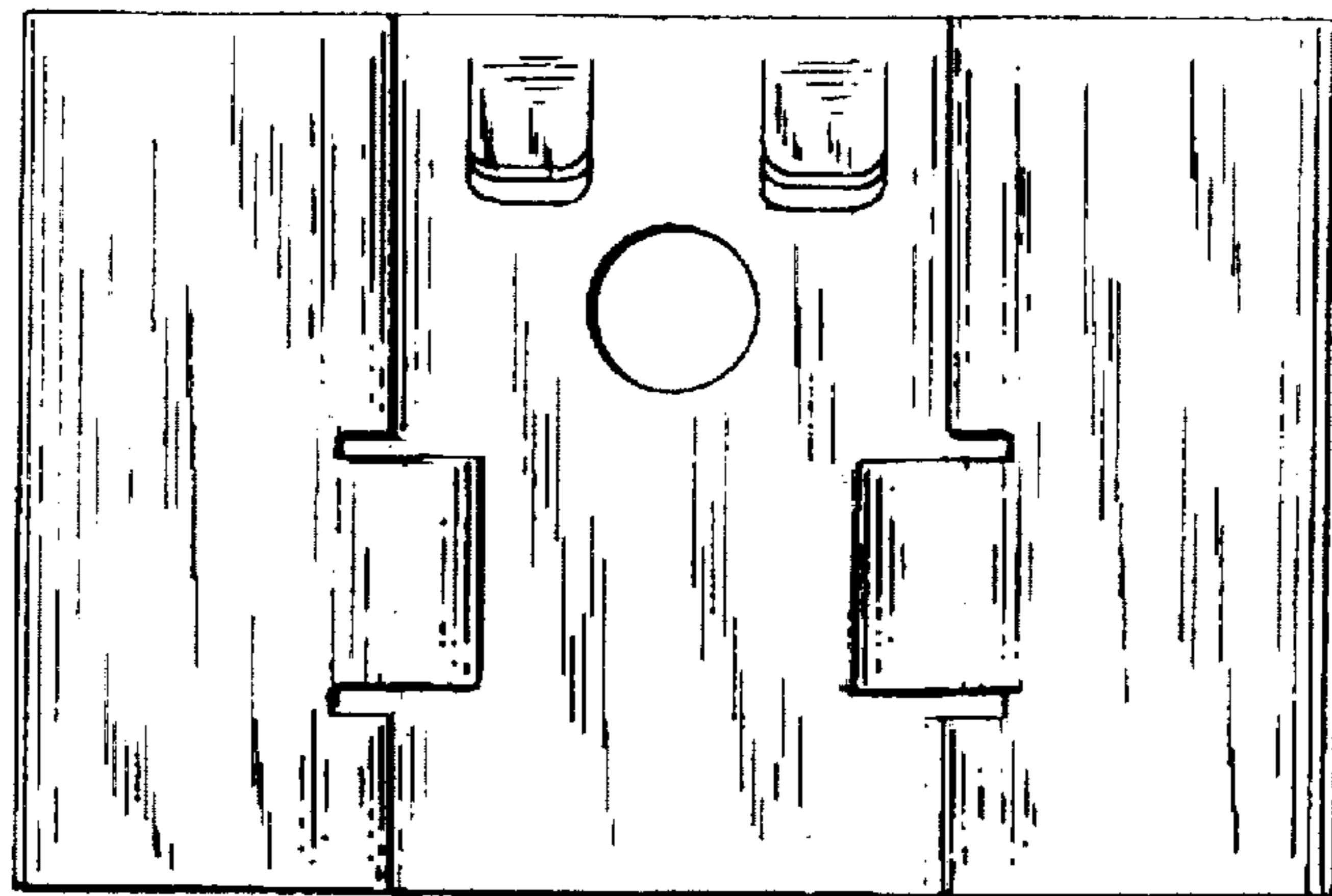


FIG. 4

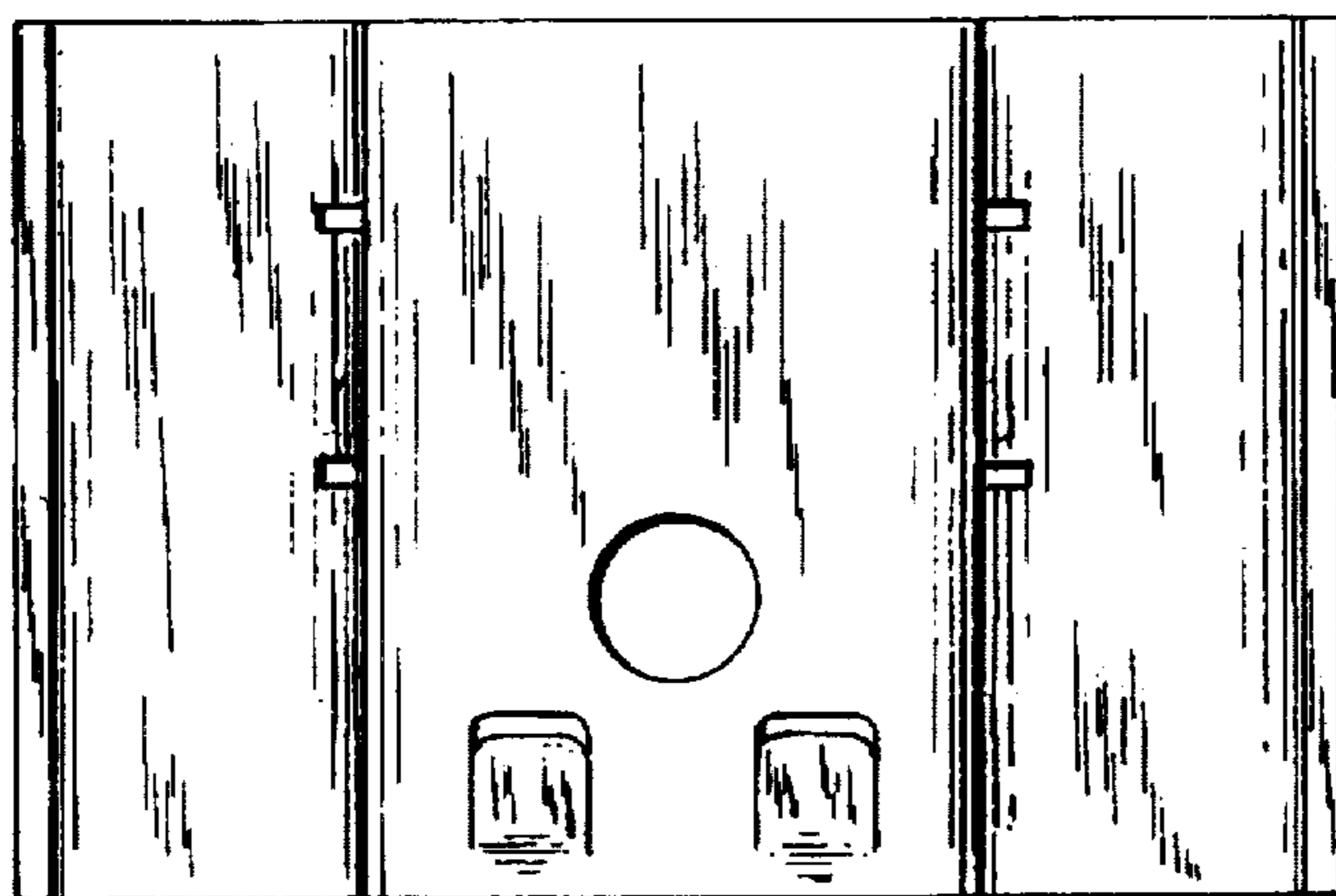


FIG. 5

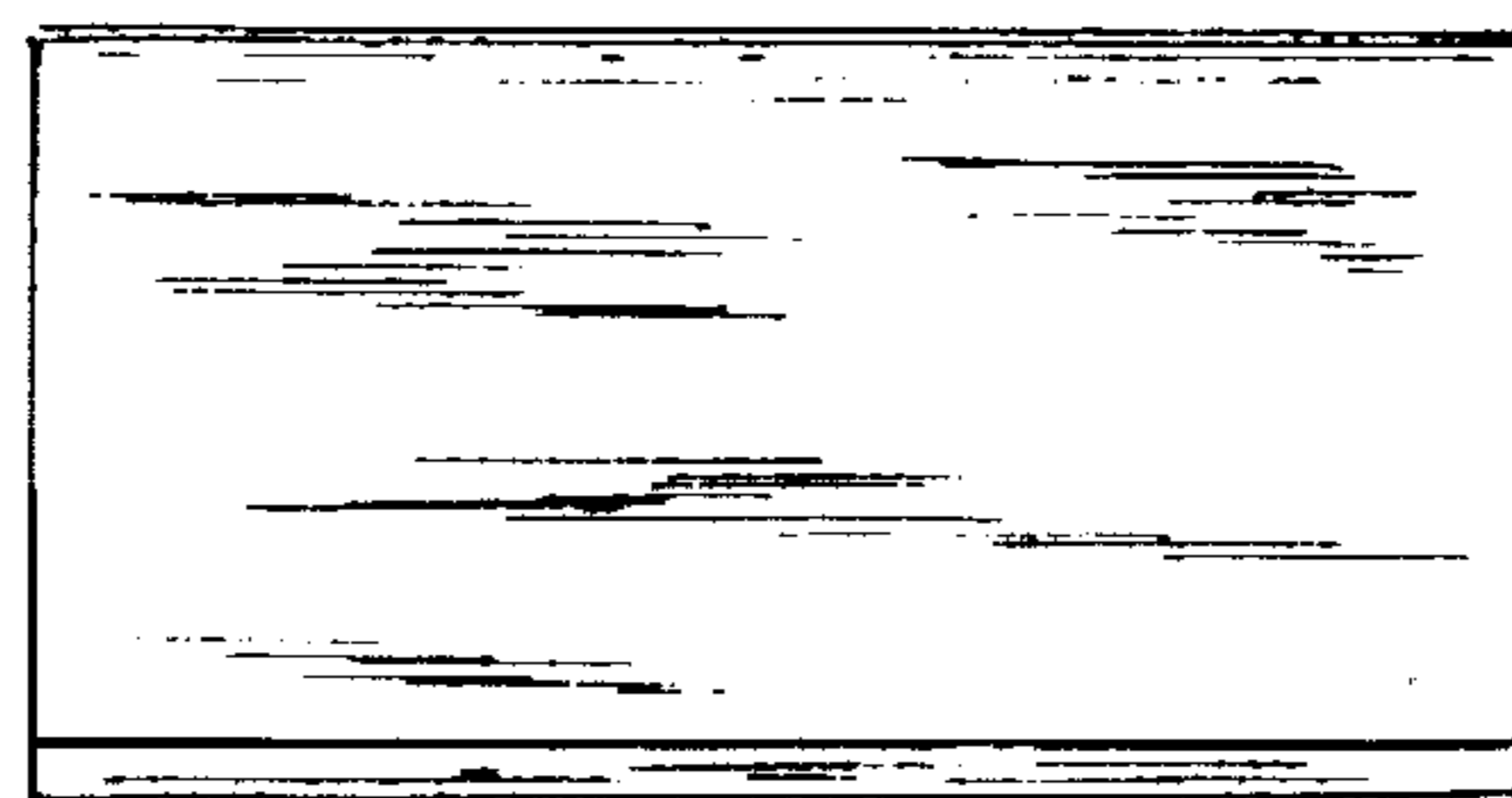


FIG. 6