



US00D394041S

United States Patent [19]
Spriester et al.

[11] **Patent Number: Des. 394,041**

[45] **Date of Patent: **May 5, 1998**

[54] **CABLE RADIO FREQUENCY SIGNAL SPLITTER**

[75] **Inventors: Bart Spriester, Duluth, Ga.; Huang Chi-Jui, Taipei Hsien, Taiwan**

[73] **Assignee: Scientific-Atlanta, Inc., Norcross, Ga.**

[**] **Term: 14 Years**

[21] **Appl. No.: 47,181**

[22] **Filed: Nov. 28, 1995**

[51] **LOC (6) Cl. 13-03**

[52] **U.S. Cl. D13/123**

[58] **Field of Search D13/123, 162, D13/184; 330/124 R, 286, 295; 333/25, 101, 117, 119, 124, 131, 136; 455/4.2, 6.1**

[56] **References Cited**

U.S. PATENT DOCUMENTS

- D. 300,624 4/1989 Seymour D13/123 X
- D. 312,612 12/1990 Seymour D13/123

- D. 340,693 10/1993 Brownlie et al. D13/184 X
- D. 342,250 12/1993 Beaumont et al. D13/184 X
- D. 346,386 4/1994 Brownlie et al. D13/184 X
- 5,635,881 6/1997 Romerein et al. 333/101

Primary Examiner—James Gandy
Assistant Examiner—Cathron B. Matta
Attorney, Agent, or Firm—Steven C. Stewart

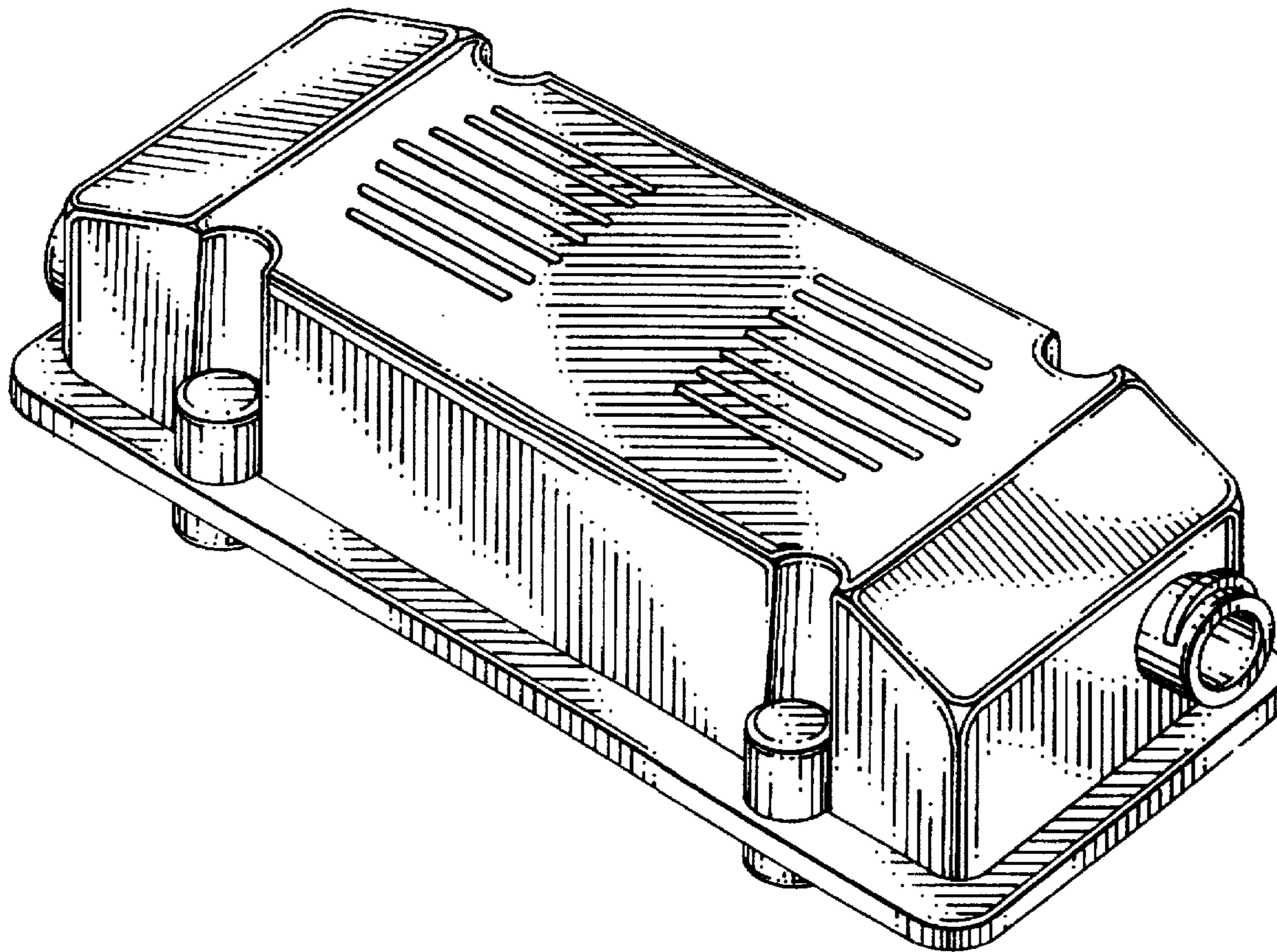
[57] **CLAIM**

The ornamental design for a cable radio frequency signal splitter, as shown and described.

DESCRIPTION

FIG. 1 is a perspective view of the top, front and leftside of a cable radio frequency signal splitter according to the new design;
FIG. 2 is a top plan view thereof;
FIG. 3 is a left elevation view thereof;
FIG. 4 is a right elevation view thereof;
FIG. 5 is a front elevation view thereof, the backside being a mirror image thereof; and,
FIG. 6 is a bottom plan view thereof.

1 Claim, 2 Drawing Sheets



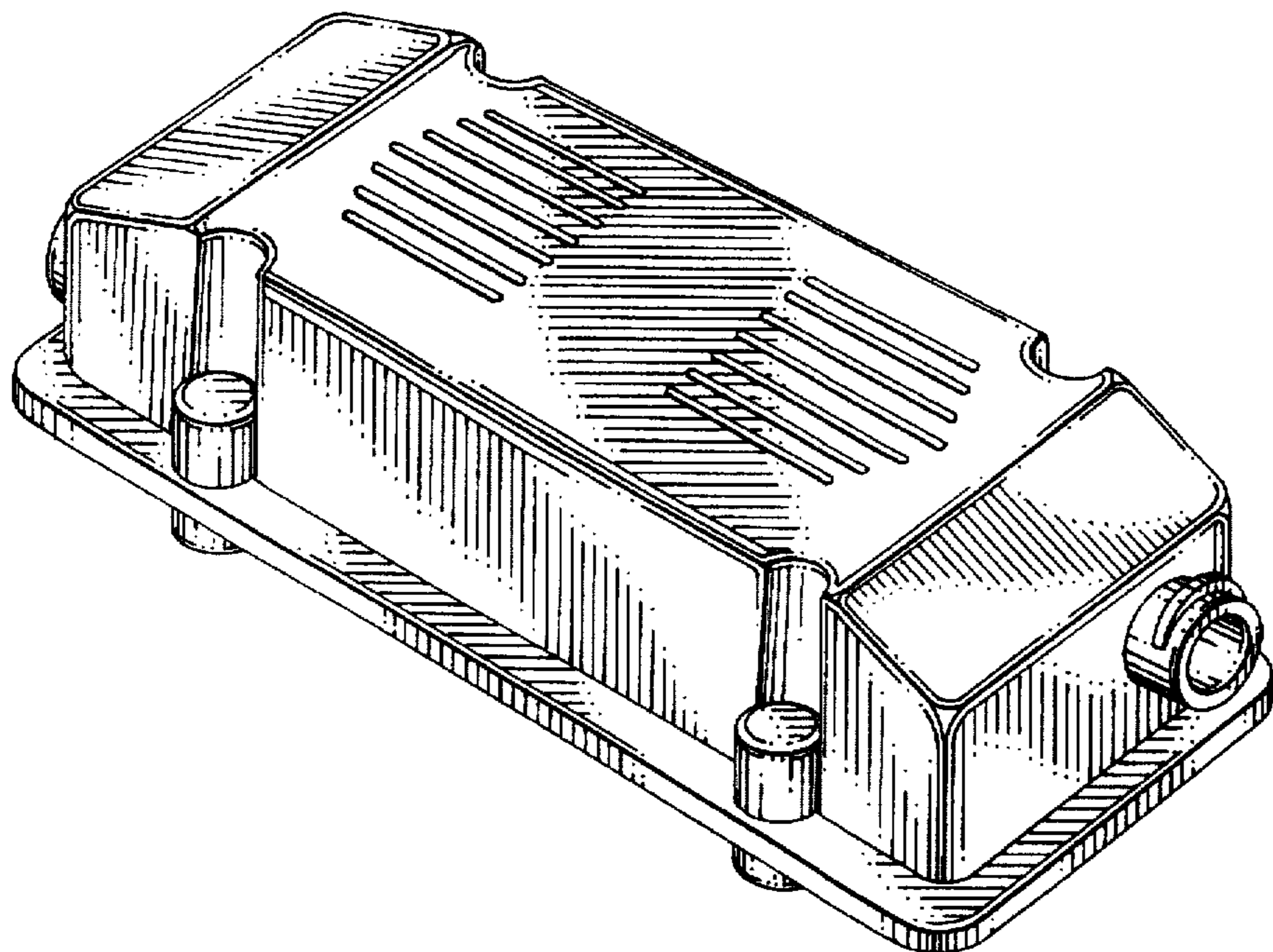


FIG. 1

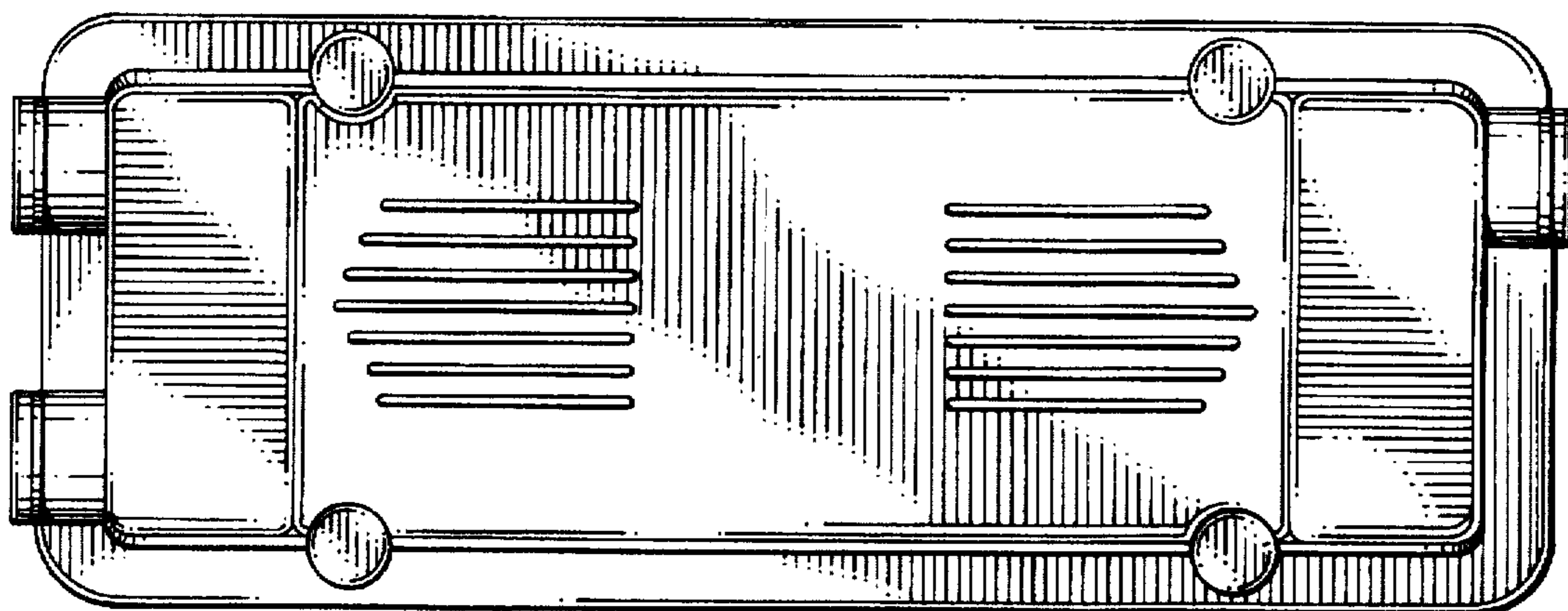


FIG. 2

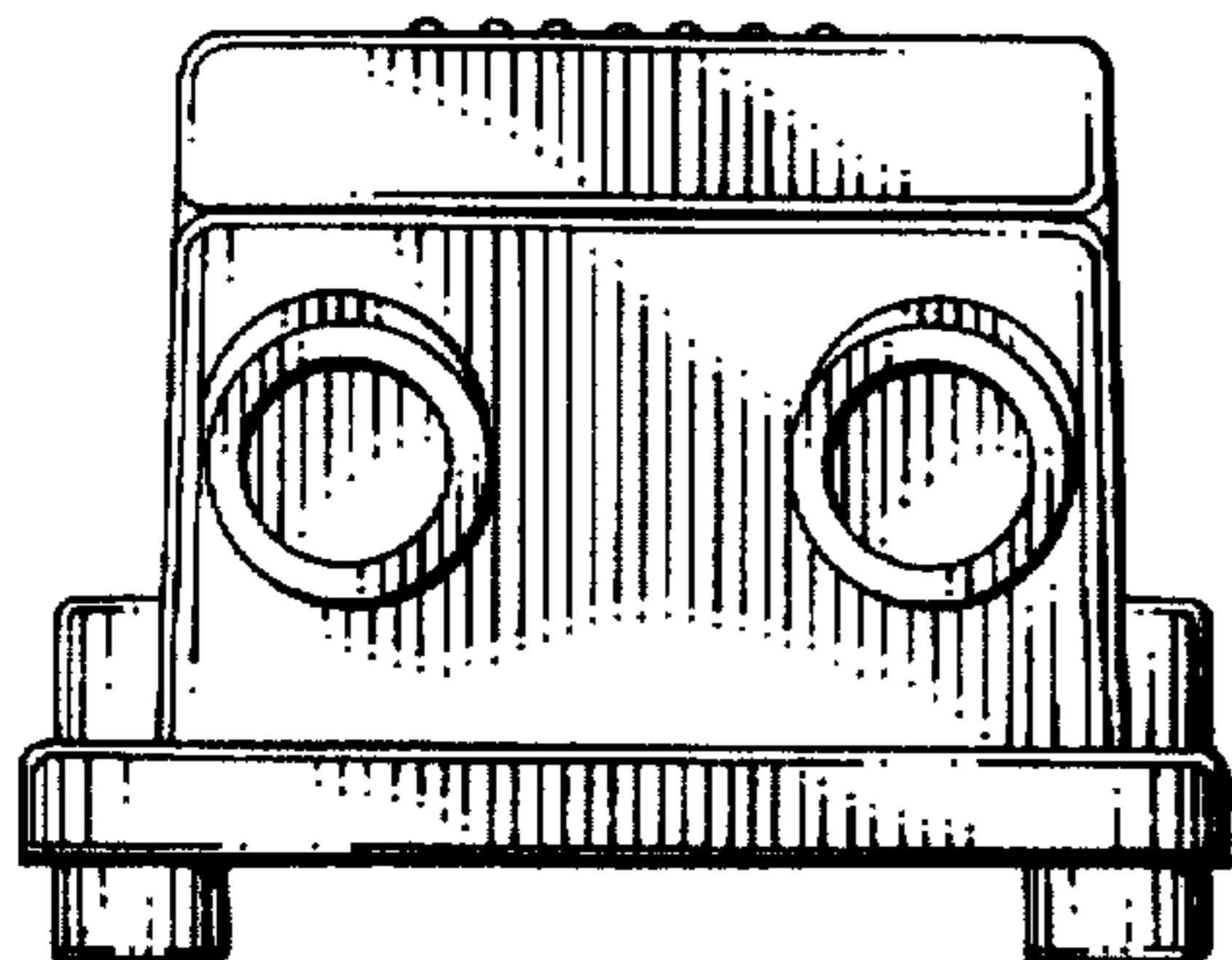


FIG. 3

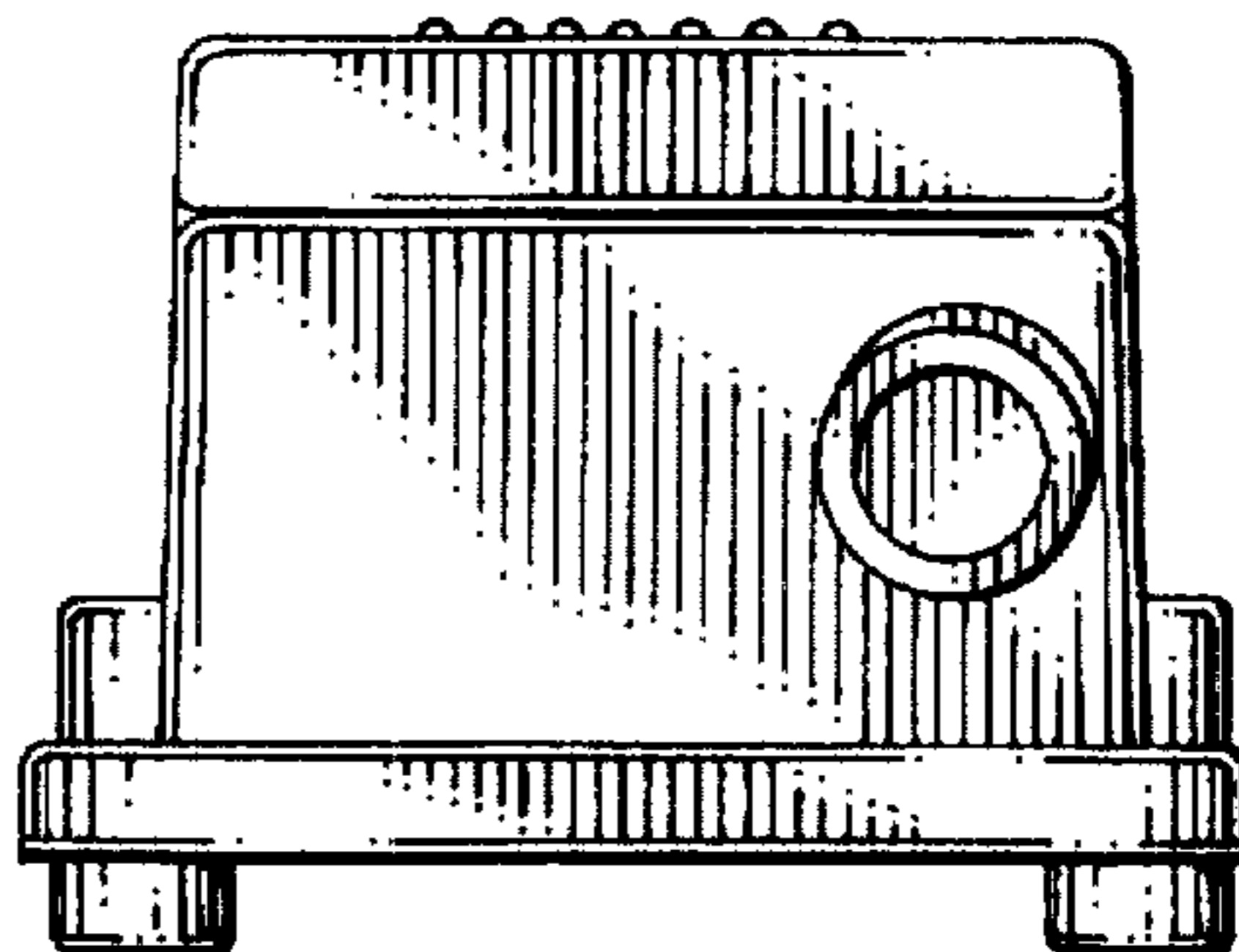


FIG. 4

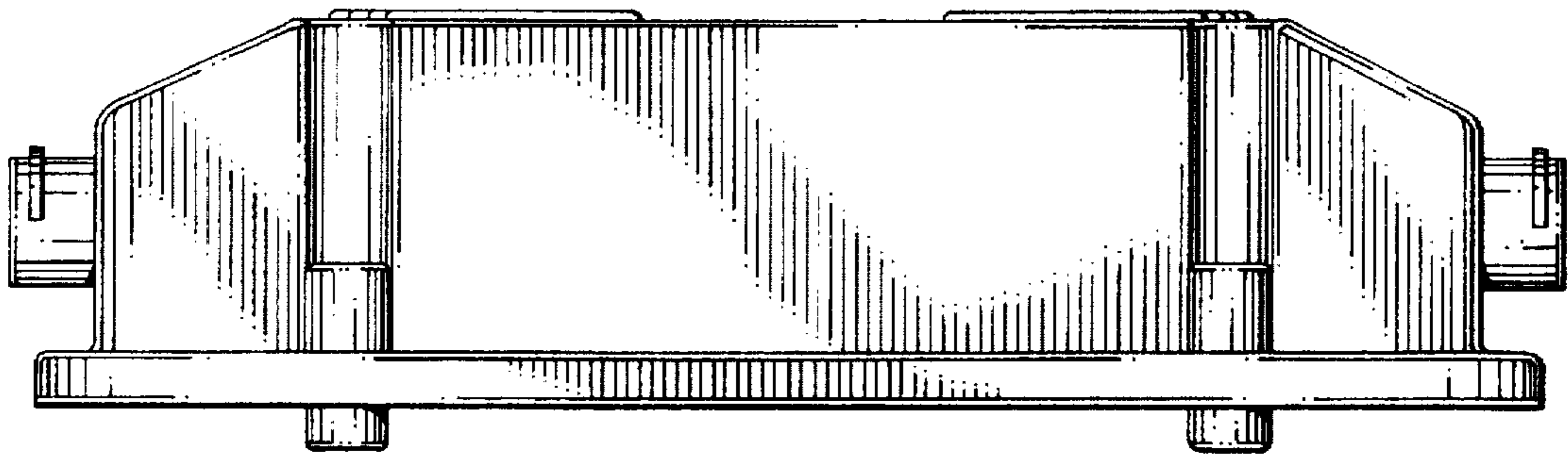


FIG. 5

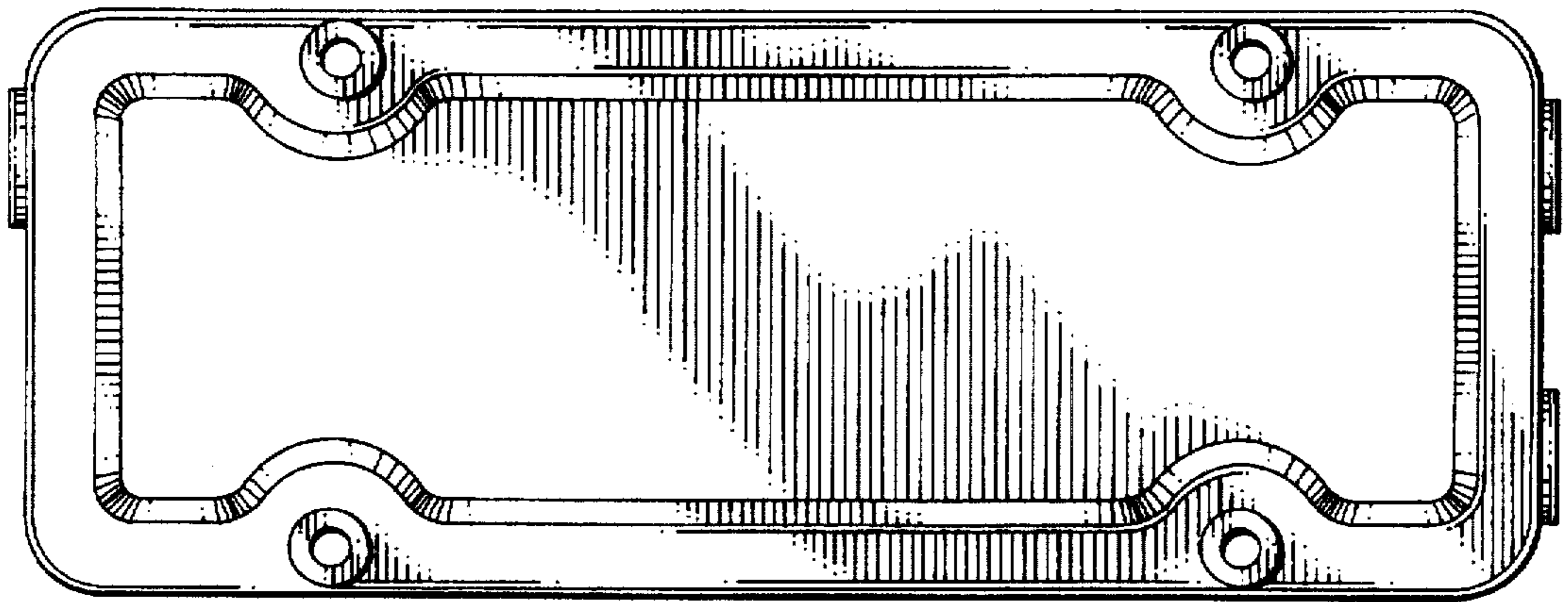


FIG. 6