



US00D394040S

# United States Patent [19]

O'Neal et al.

[11] Patent Number: **Des. 394,040**

[45] Date of Patent: **\*\*May 5, 1998**

[54] **MARS AEROSHELL**

[75] Inventors: **Michael O'Neal**, Pasadena; **Dara Sabahi**, Marina Del Rey; **Michael Tauber**, Cupertino, all of Calif.

[73] Assignee: **California Institute of Technology**, Pasadena, Calif.

[\*\*] Term: **14 Years**

[21] Appl. No.: **56,094**

[22] Filed: **Jun. 21, 1996**

[51] LOC (6) Cl. .... **12-07**

[52] U.S. Cl. .... **D12/325; D21/87**

[58] Field of Search ..... **D12/319-345; 244/23 C, 52, 29; D21/87**

### [56] **References Cited**

#### **U.S. PATENT DOCUMENTS**

D. 179,435 12/1956 Apostolescu ..... D12/325

D. 197,748	3/1964	Postelson	.....	D12/325
D. 238,938	2/1976	Moller	.....	D12/325
D. 307,131	4/1990	Kramer	.....	D12/325
D. 326,873	6/1992	Chang	.....	D12/325
4,778,128	10/1988	Wright et al.	.....	244/23 C

*Primary Examiner*—Kay H. Chin  
*Attorney, Agent, or Firm*—Limbach & Limbach

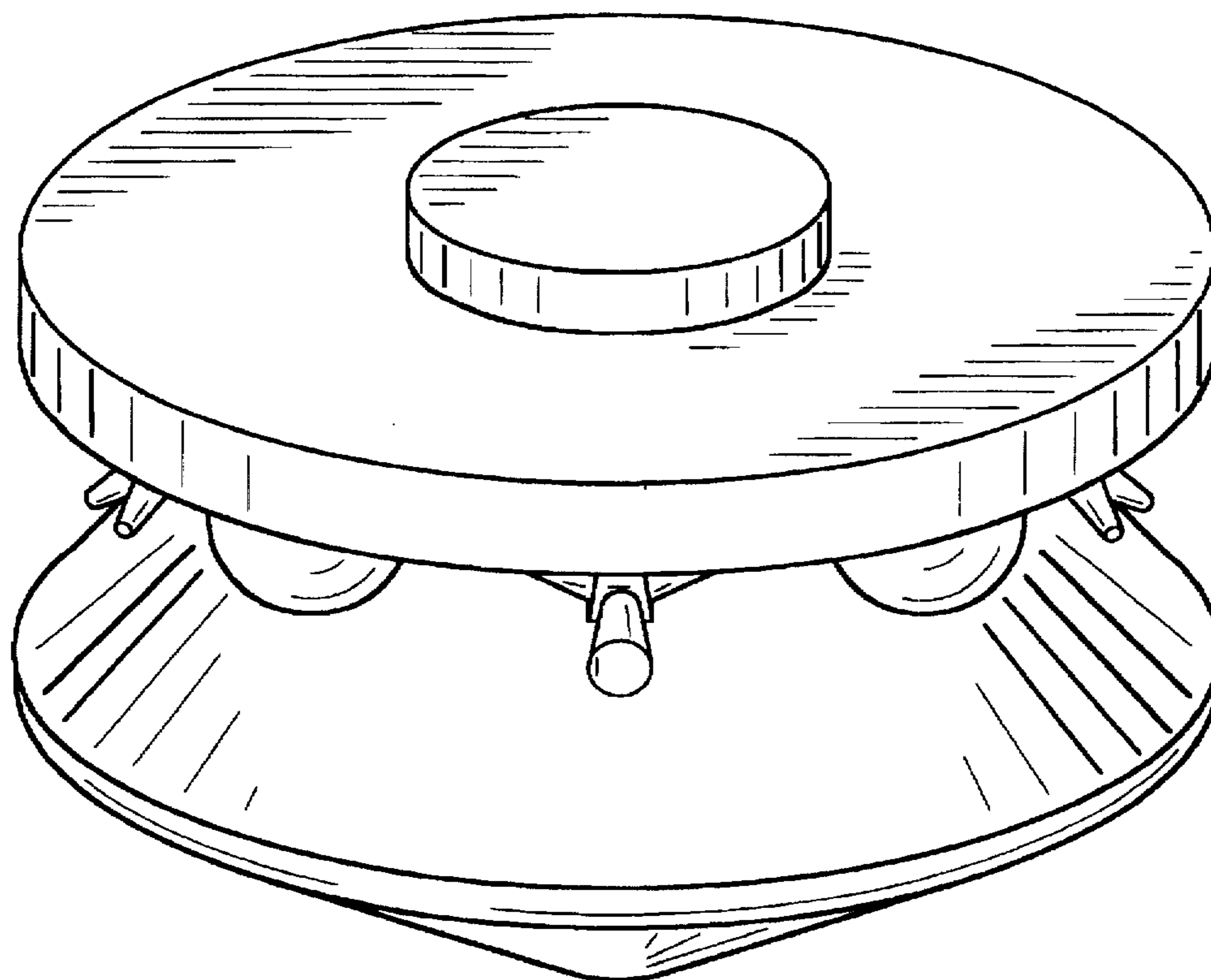
### [57] **CLAIM**

The ornamental design for a Mars aeroshell, as shown and described.

### **DESCRIPTION**

FIG. 1 is a perspective view of the Mars aeroshell showing our new design;  
FIG. 2 is an end elevational view thereof;  
FIG. 3 is a side elevational view thereof, with the other side being a mirror image;  
FIG. 4 is the other end elevational view thereof;  
FIG. 5 is a top plan elevational view thereof; and,  
FIG. 6 is a bottom plan view thereof.

**1 Claim, 6 Drawing Sheets**



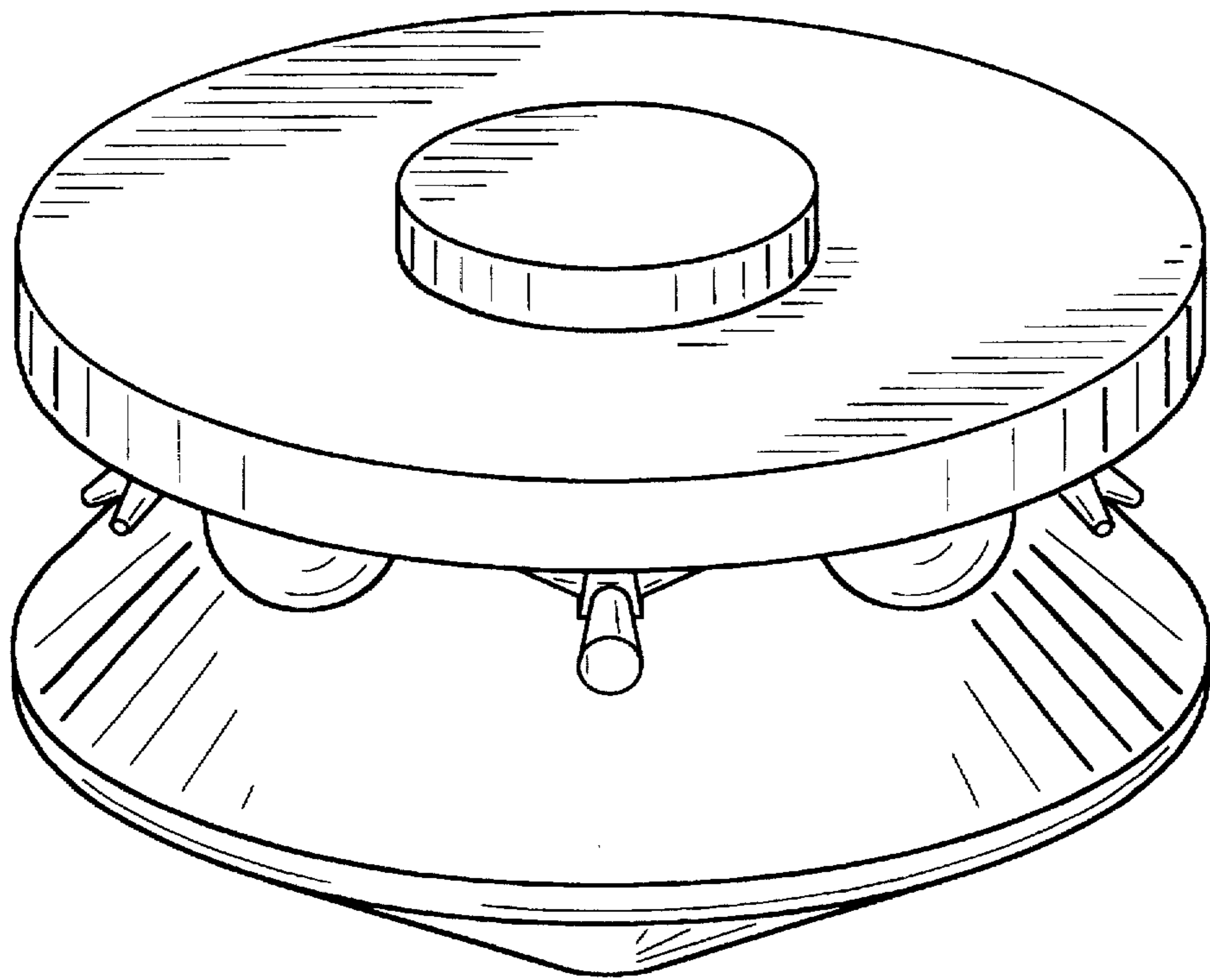


FIG. 1

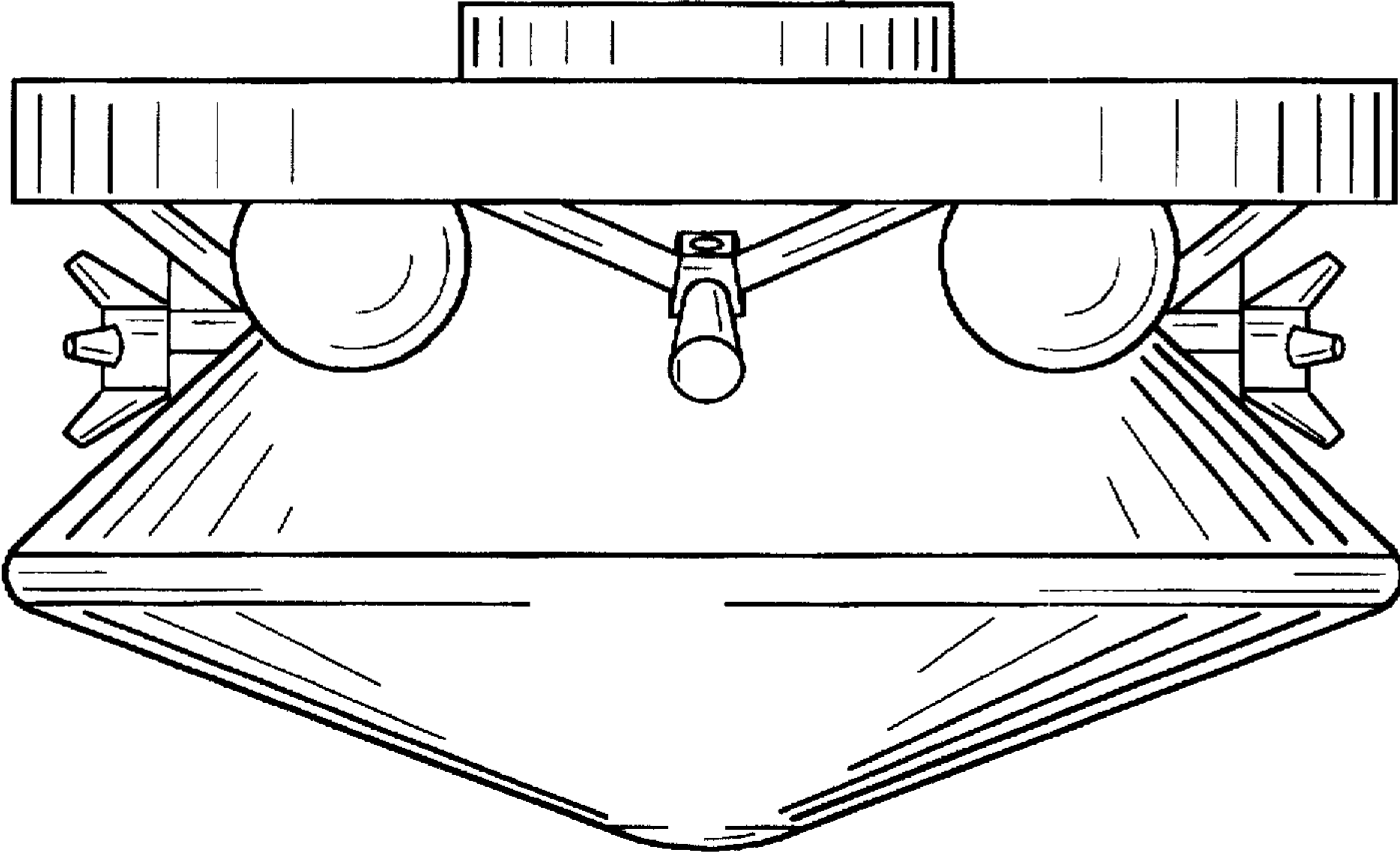


FIG. 2

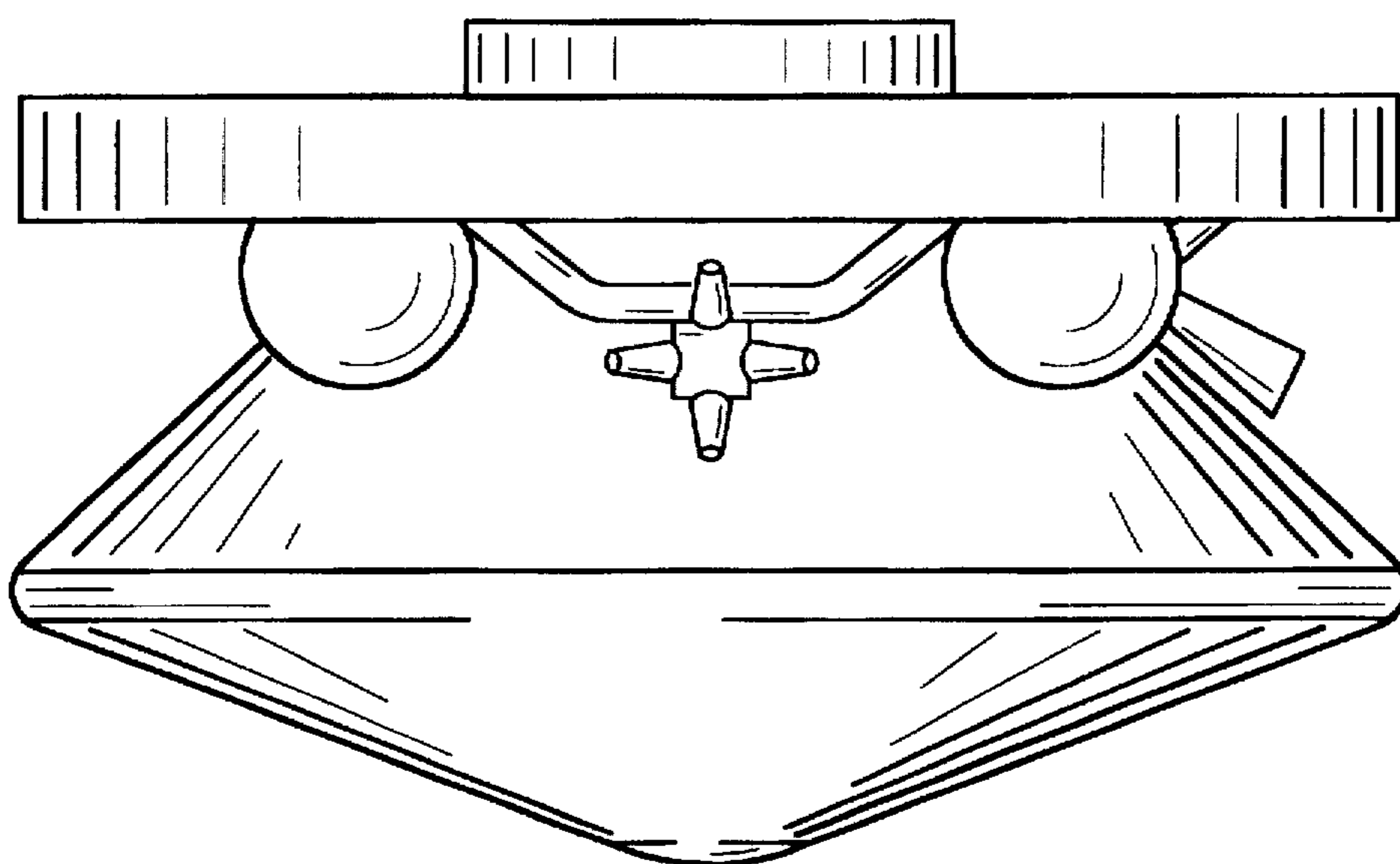


FIG. 3

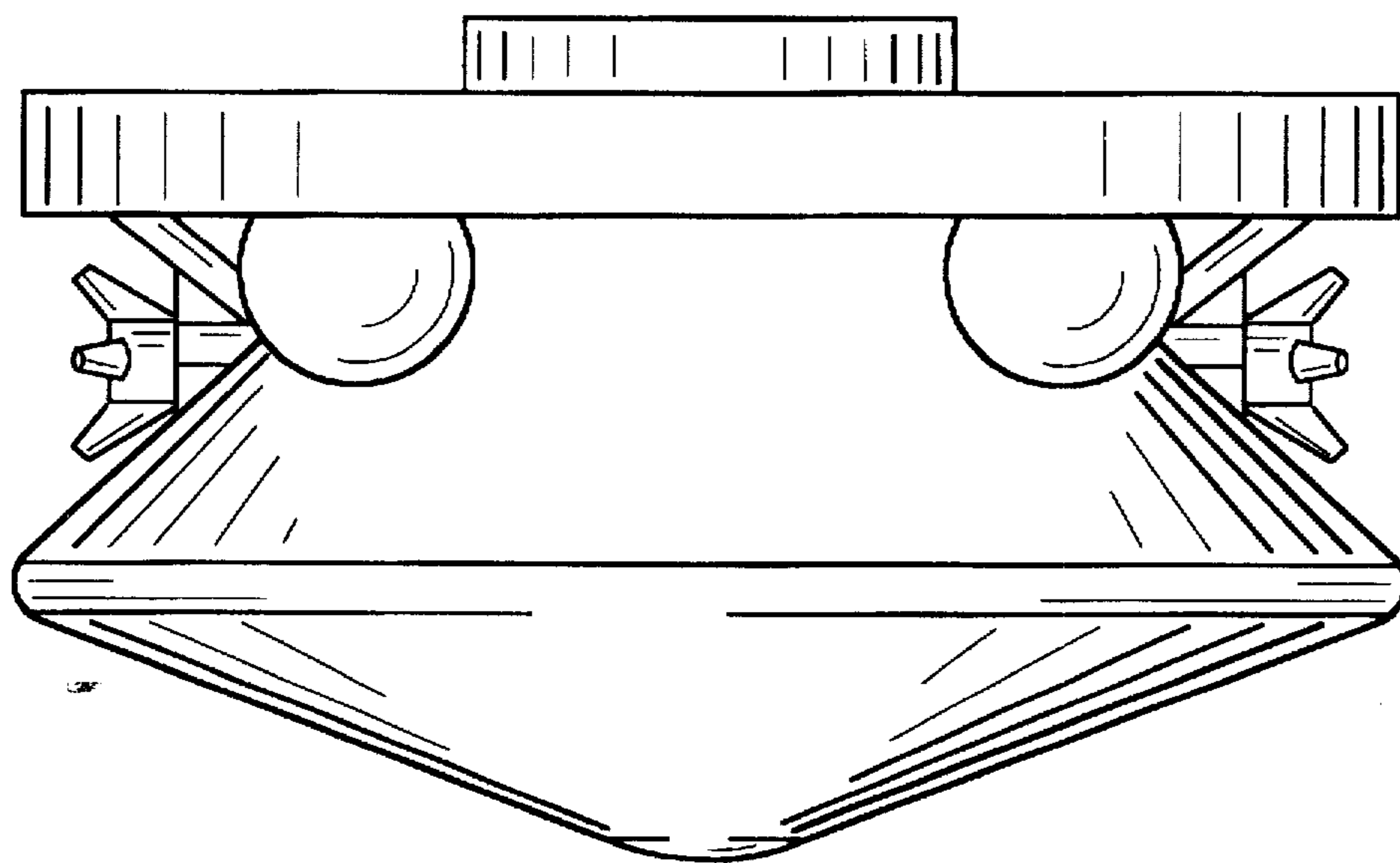


FIG. 4

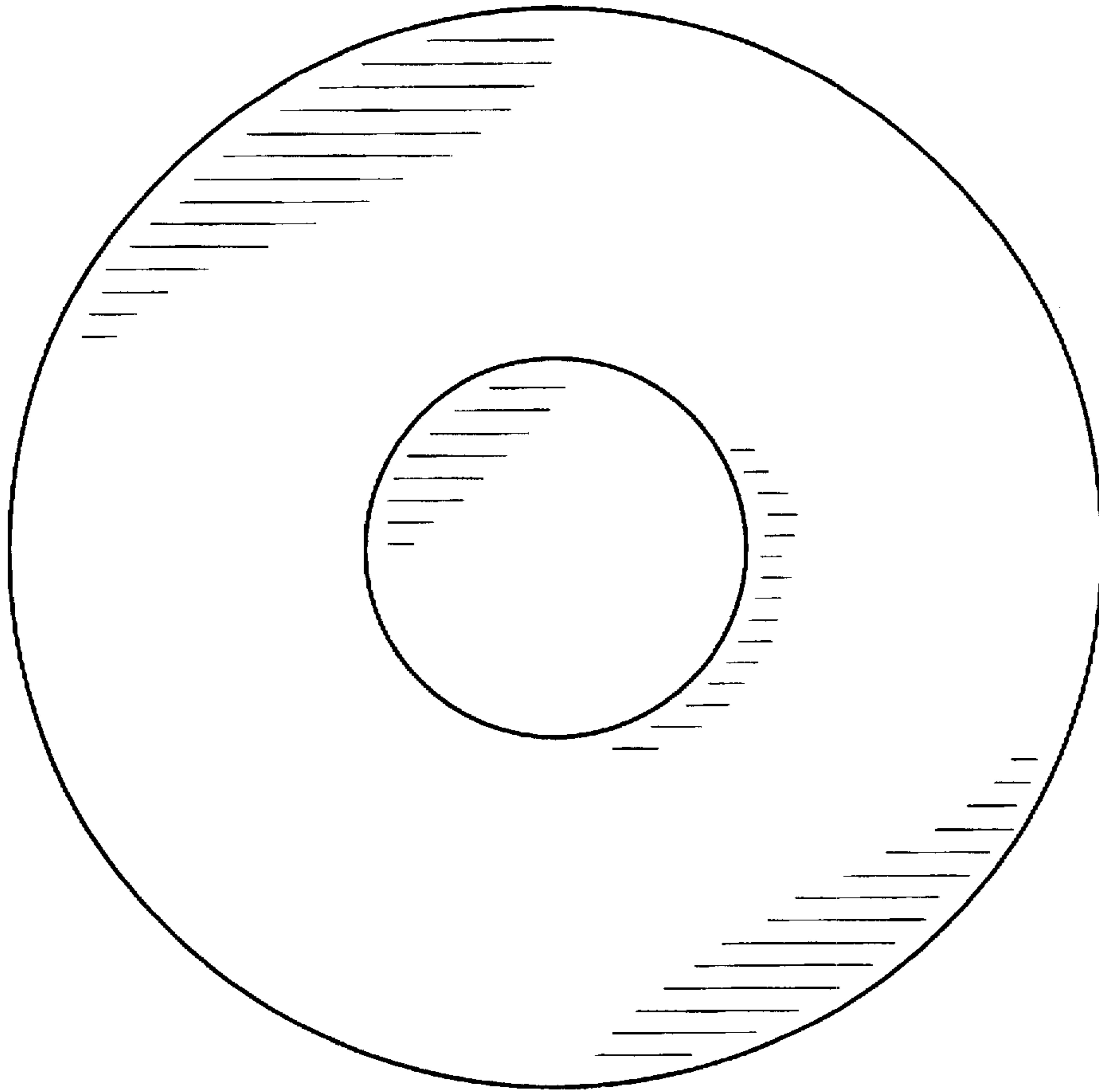


FIG. 5

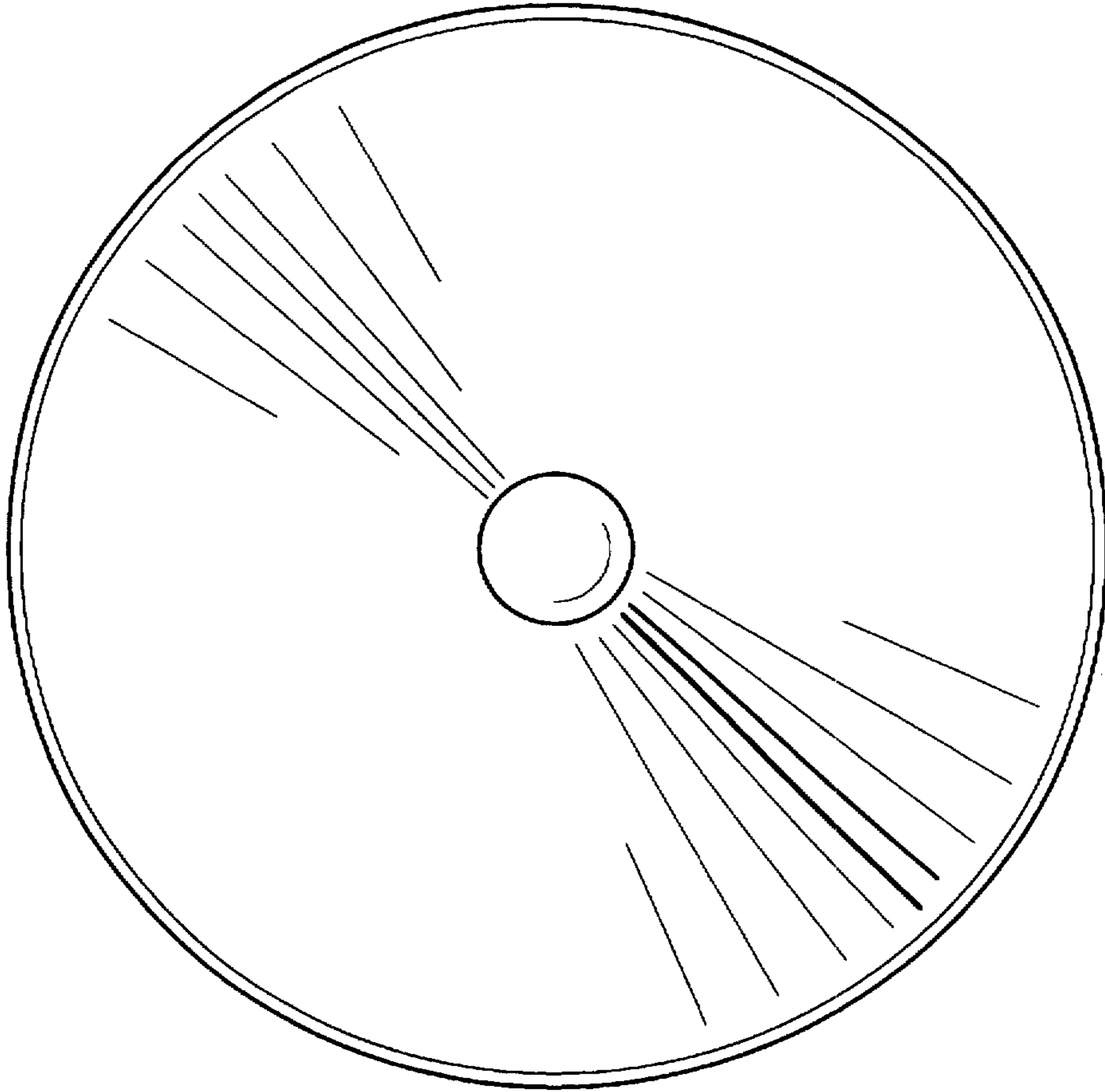


FIG. 6