



US00D394038S

United States Patent [19]
Braun

[11] **Patent Number: Des. 394,038**

[45] **Date of Patent: **May 5, 1998**

[54] **FRONT FACE OF A VEHICLE WHEEL**

[75] **Inventor: Rainer Braun, Freiberg/N., Germany**

[73] **Assignee: Daimler-Benz Aktiengesellschaft,
Stuttgart, Germany**

[**] **Term: 14 Years**

[21] **Appl. No.: 73,754**

[22] **Filed: Jun. 11, 1997**

[30] **Foreign Application Priority Data**

Dec. 11, 1996 [DE] Germany M 96 10 585.2

[51] **LOC (6) Cl. 12-16**

[52] **U.S. Cl. D12/211**

[58] **Field of Search D12/204-213;
301/64.1, 65, 37.1**

[56] **References Cited**

U.S. PATENT DOCUMENTS

D. 215,652	10/1969	Griffith	D12/211
D. 249,787	10/1978	Tanaka	D12/205
D. 335,859	5/1993	Mattin	D12/211
D. 336,886	6/1993	Mikawa	D12/211

D. 361,547	8/1995	Weld	D12/211
D. 361,976	9/1995	Echazabal et al.	D12/211
D. 372,699	8/1996	Mantua	D12/209
D. 377,471	1/1997	Stach	D12/209

OTHER PUBLICATIONS

Ultra Custom Wheels 1997 Catalog, See "Type 108", Aug. 1996.

Primary Examiner—James Gandy
Assistant Examiner—Stacia Sinuik
Attorney, Agent, or Firm—Evenson McKeown Edwards & Lenahan, PLLC

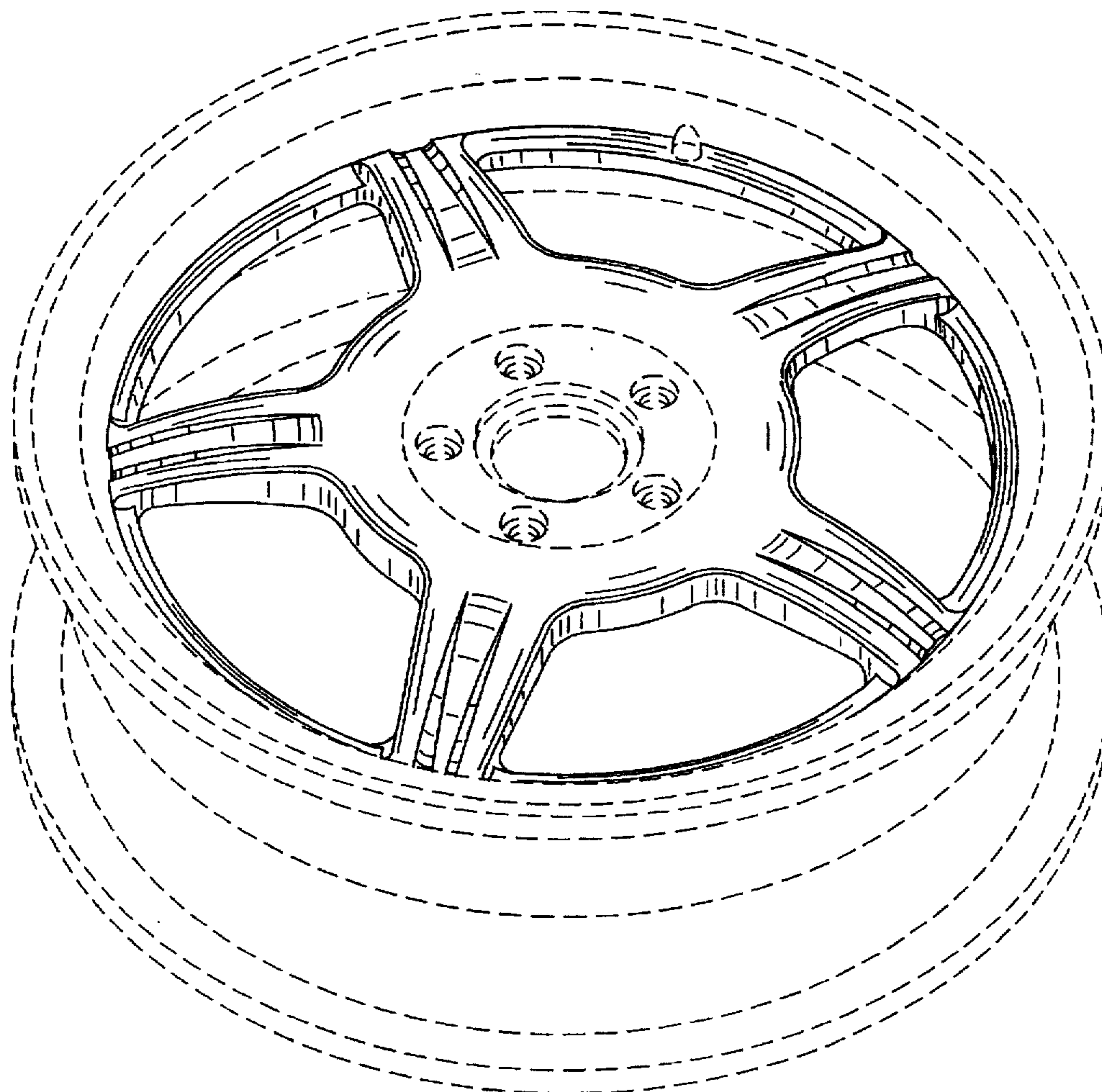
[57] **CLAIM**

The ornamental design for a front face of a vehicle wheel, as shown and described.

DESCRIPTION

FIG. 1 is a frontal view of a front face of a vehicle wheel according to my novel design; and, FIG. 2 is a perspective view of a front face of a vehicle wheel according to my novel design. Features shown in dash lines depict the environment and do not form part of the claimed design.

1 Claim, 2 Drawing Sheets



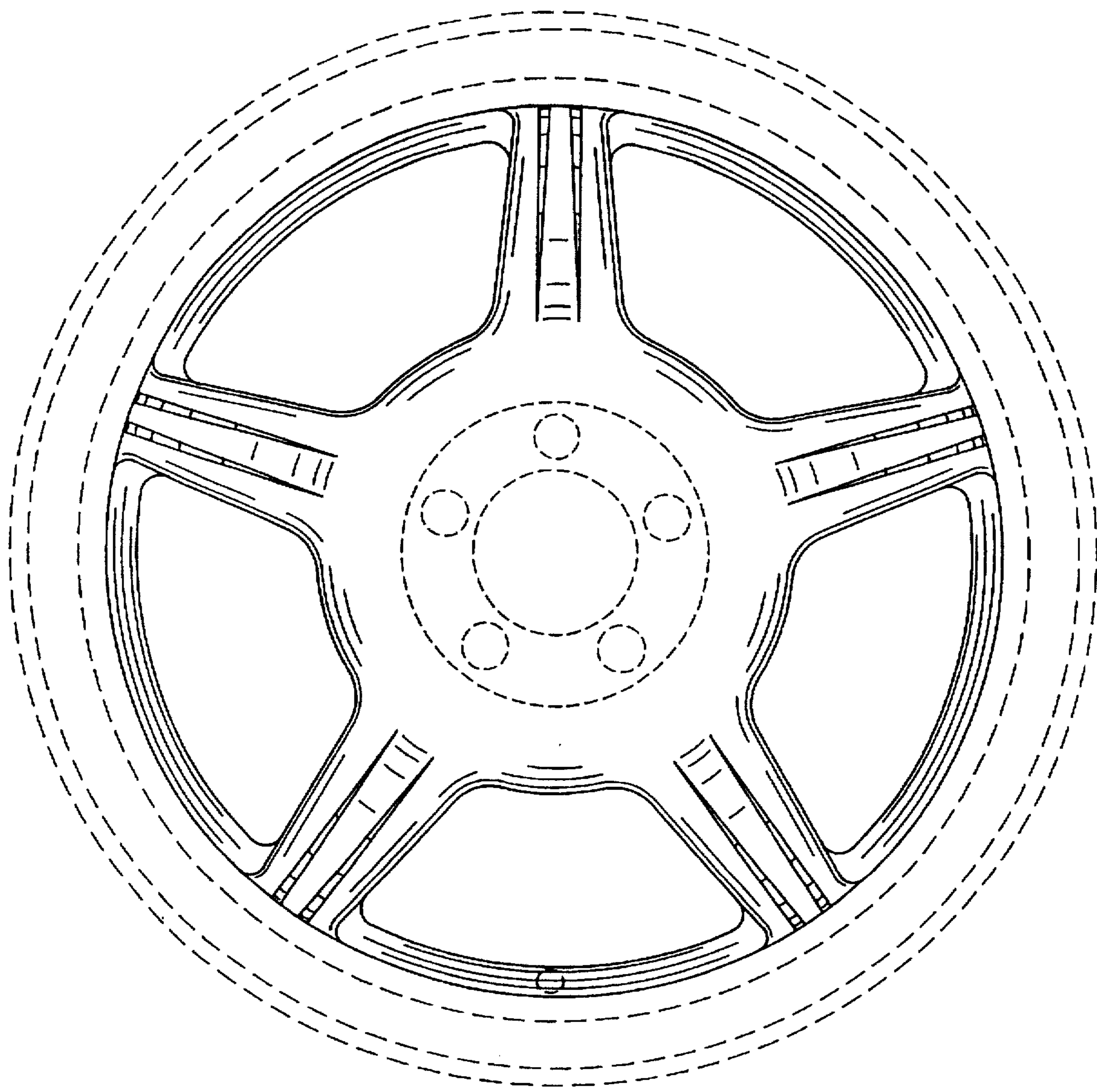


FIG. 1

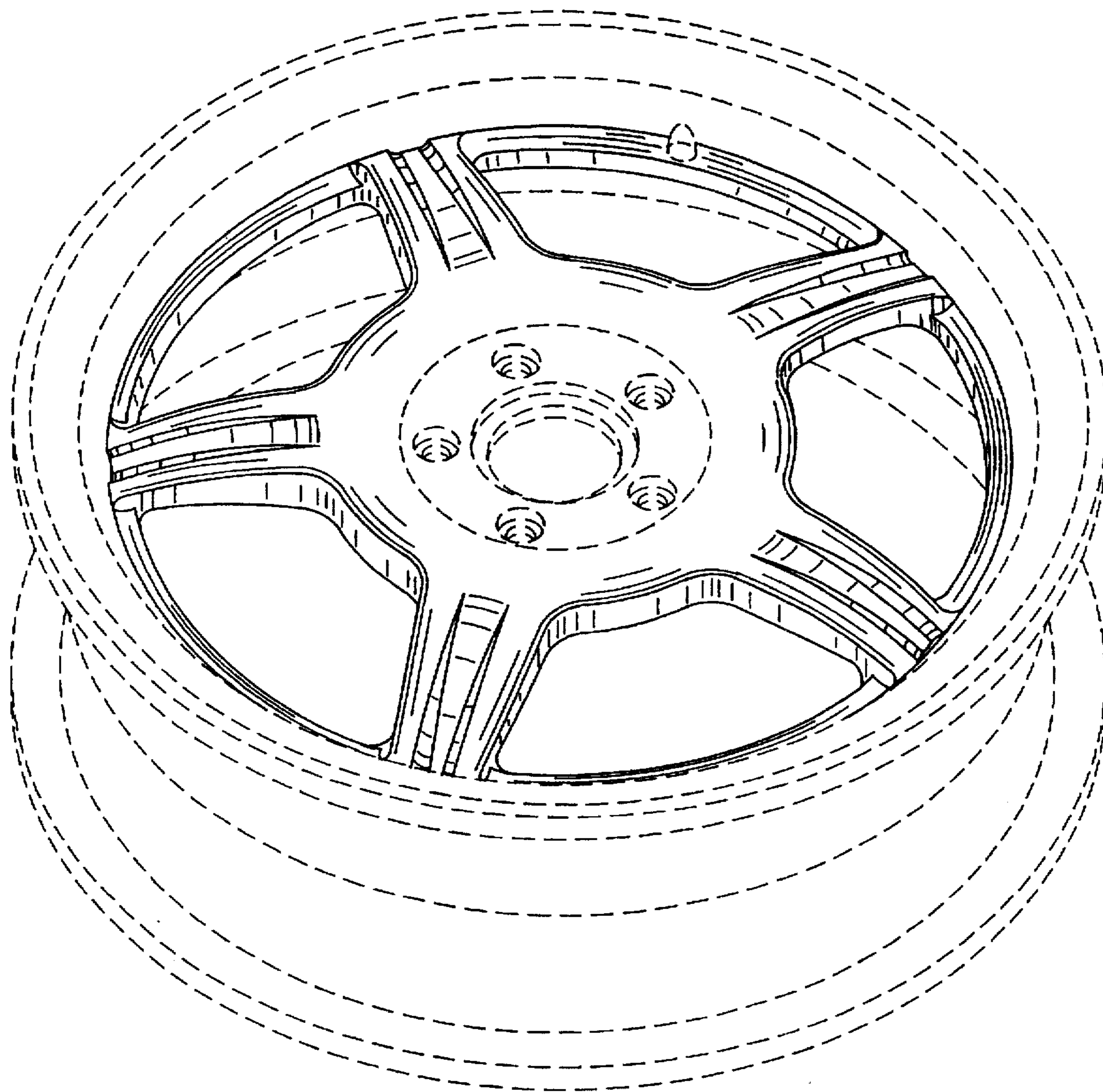


FIG. 2