



US00D394036S

United States Patent [19] Mauffette

[11] Patent Number: **Des. 394,036**

[45] Date of Patent: ****May 5, 1998**

[54] **CAR MAT**

[75] Inventor: **Claude Mauffette**, Montreal, Canada

[73] Assignee: **Atlantech Inc.**, Montréal, Canada

[**] Term: **14 Years**

[21] Appl. No.: **71,343**

[22] Filed: **May 28, 1997**

[51] **LOC (6) Cl.** **12-16**

[52] **U.S. Cl.** **D12/203**

[58] **Field of Search** **D12/203, 400;**
D6/582, 592; 15/215; 280/163, 164.1, 169;
296/97.23

[56] **References Cited**

U.S. PATENT DOCUMENTS

D. 91,960	4/1934	Netzel et al.	D12/203
D. 178,414	7/1956	Meyer	D12/203
D. 180,449	6/1957	Meyer	D12/203
D. 182,917	5/1958	Meyer	D12/203
D. 302,417	7/1989	Lehner et al.	D12/203
D. 325,555	4/1992	Primeau	D12/203
4,420,180	12/1983	DuPont et al.	15/215

FOREIGN PATENT DOCUMENTS

54787	7/1985	Canada .
65314	2/1990	Canada .
65826	4/1990	Canada .
70257	3/1992	Canada .
74652	8/1994	Canada .

Primary Examiner—James Gandy
Assistant Examiner—Robert M. Spear
Attorney, Agent, or Firm—ROBIC

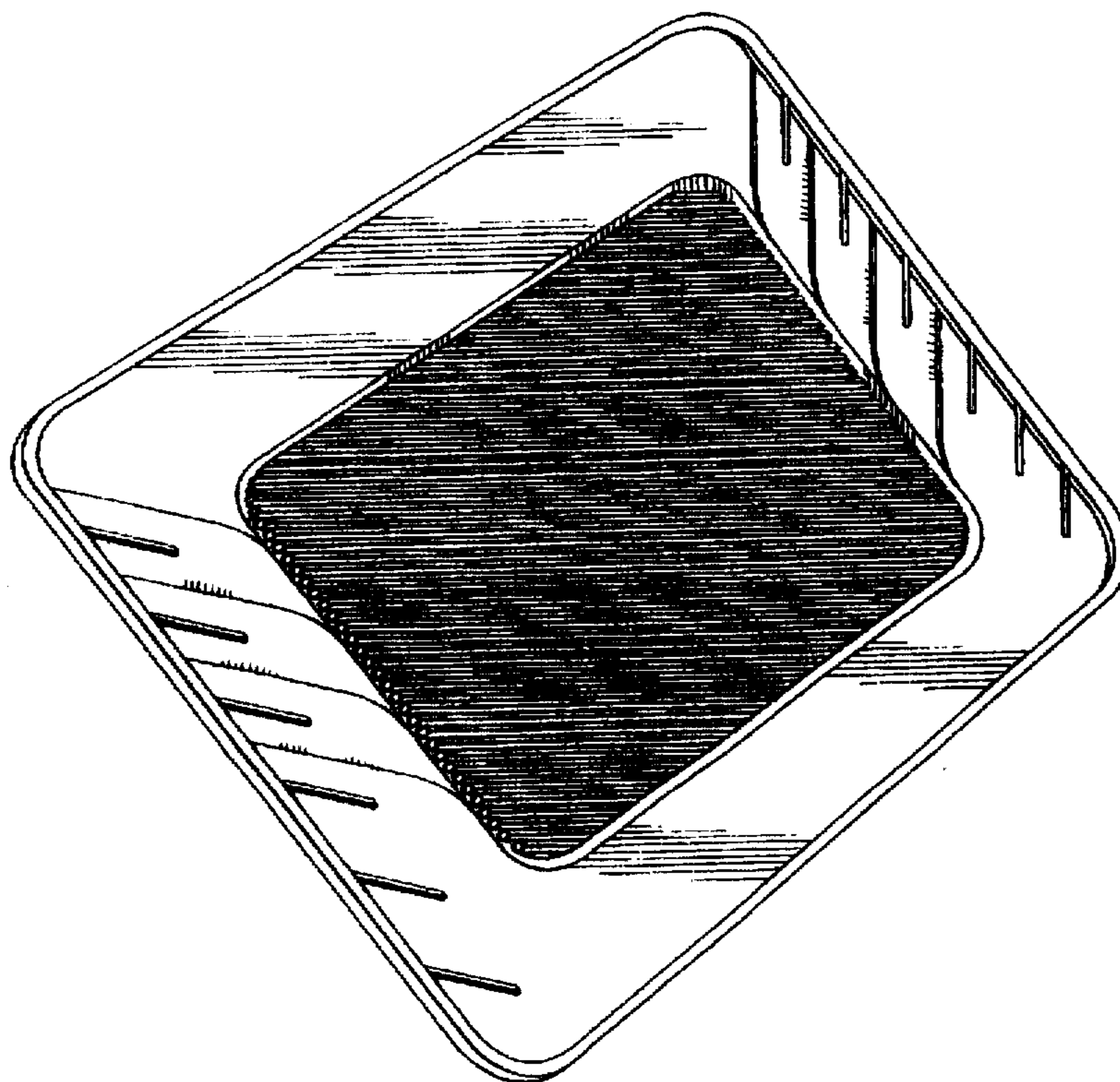
[57] **CLAIM**

The ornamental design for car mat, as shown and described.

DESCRIPTION

FIG. 1 is a top perspective view of a car mat, showing my new design;
FIG. 2 is a bottom perspective view thereof;
FIG. 3 is a top plan view thereof;
FIG. 4 is a bottom plan view thereof;
FIG. 5 is a side elevational view thereof, the other side view being a mirror image of the view; and
FIG. 6 is a front elevational view thereof, the rear elevational view being a mirror image of the view.

1 Claim, 5 Drawing Sheets



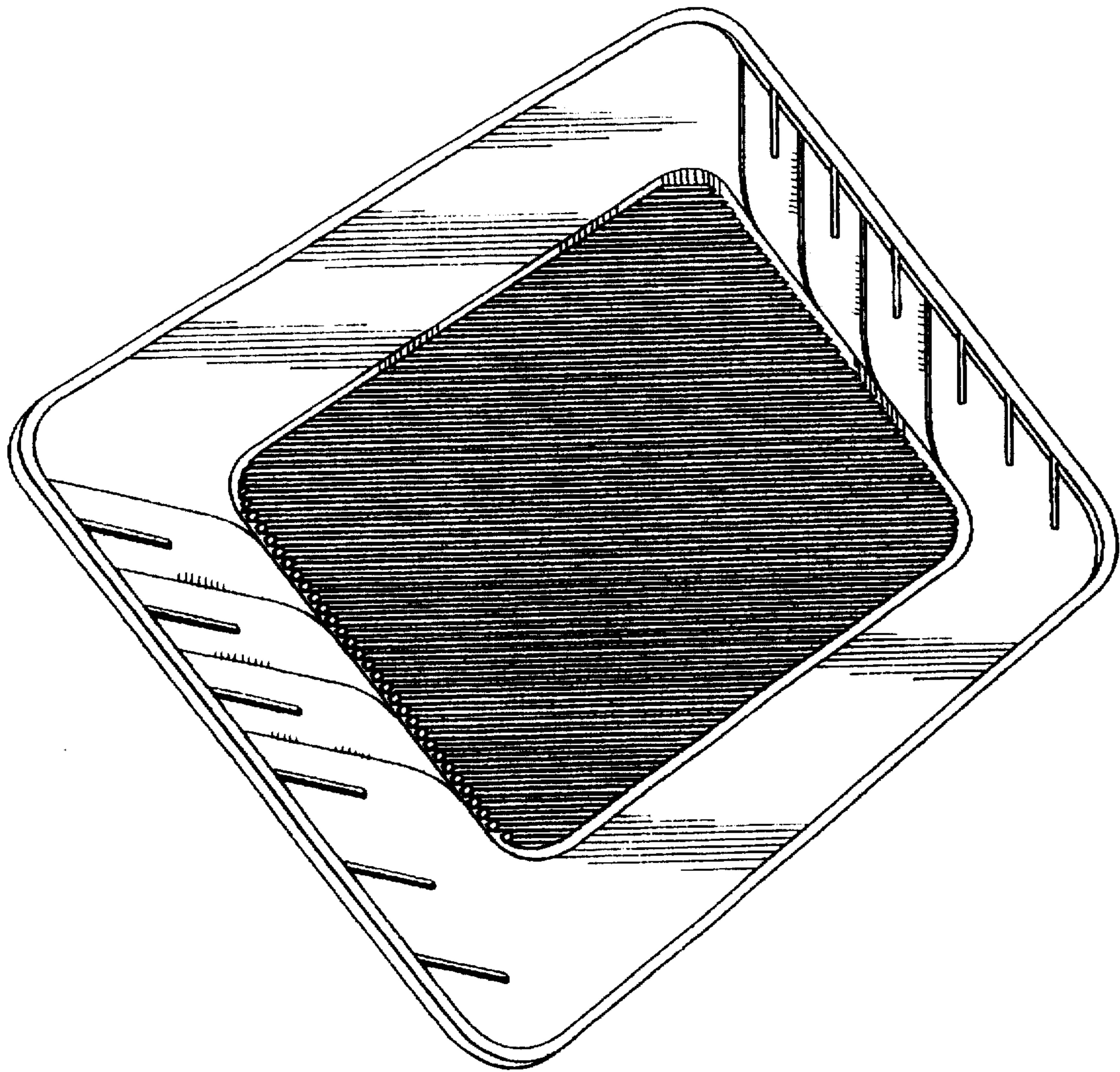


FIG. 1

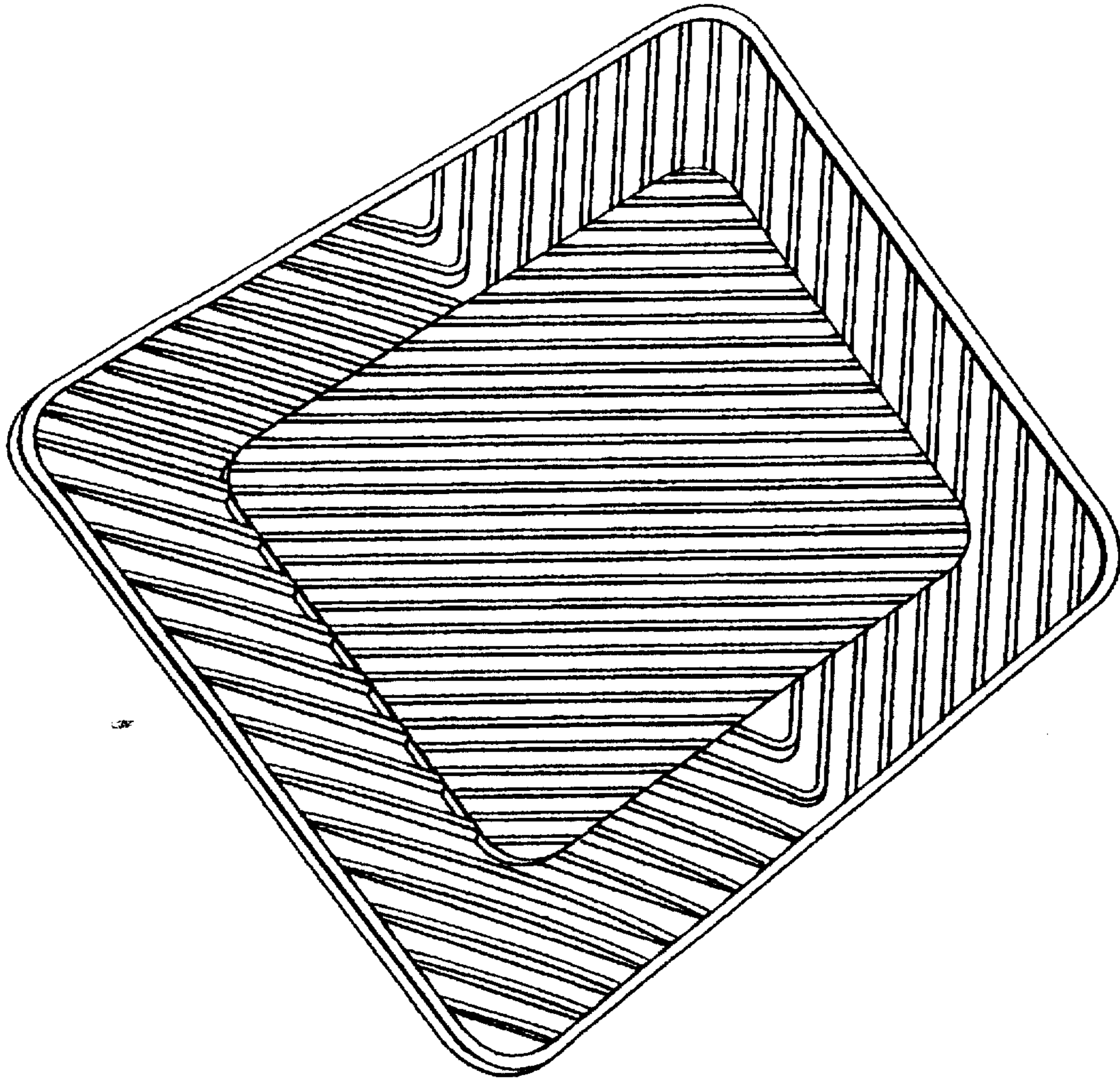


FIG. 2

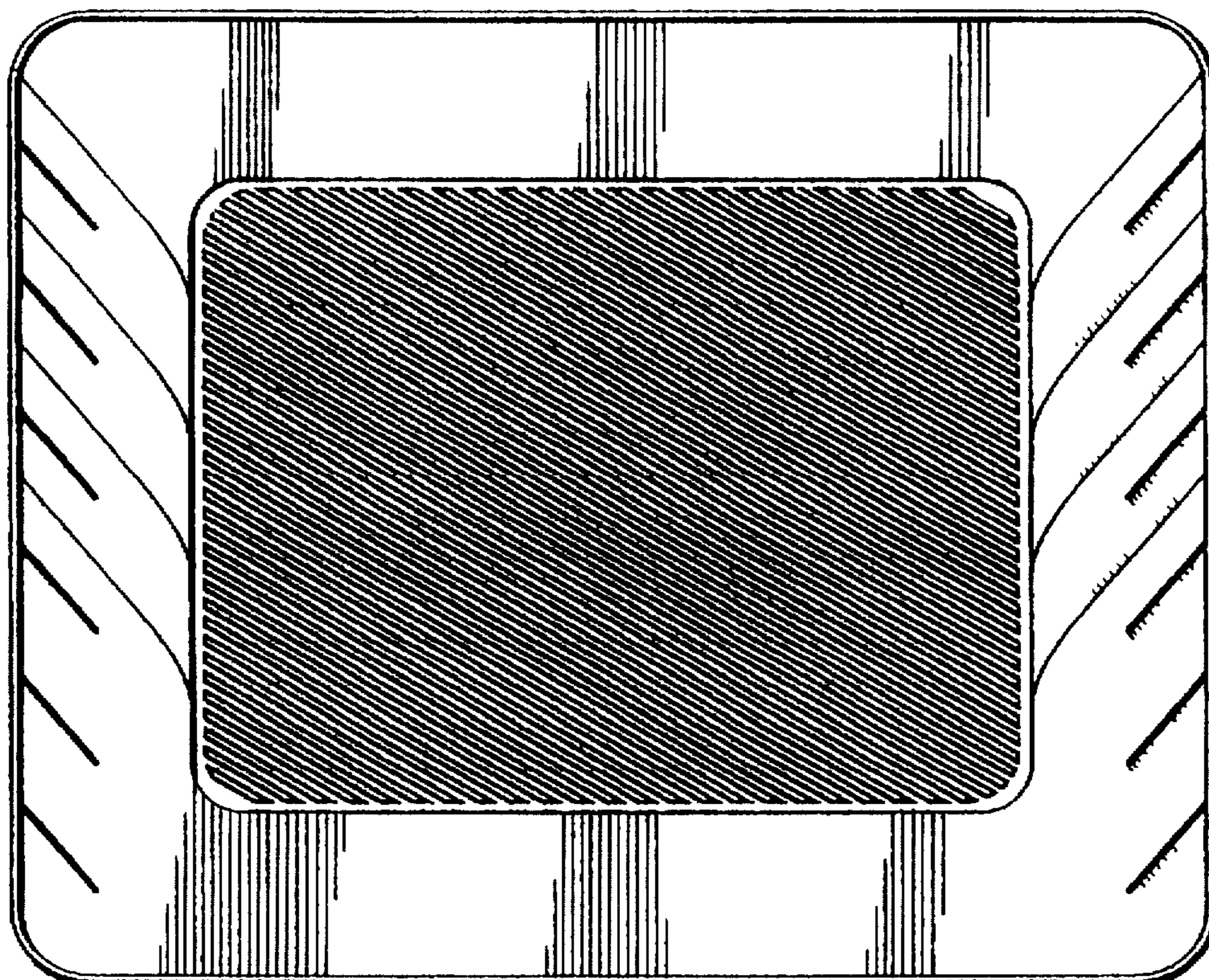


FIG. 3

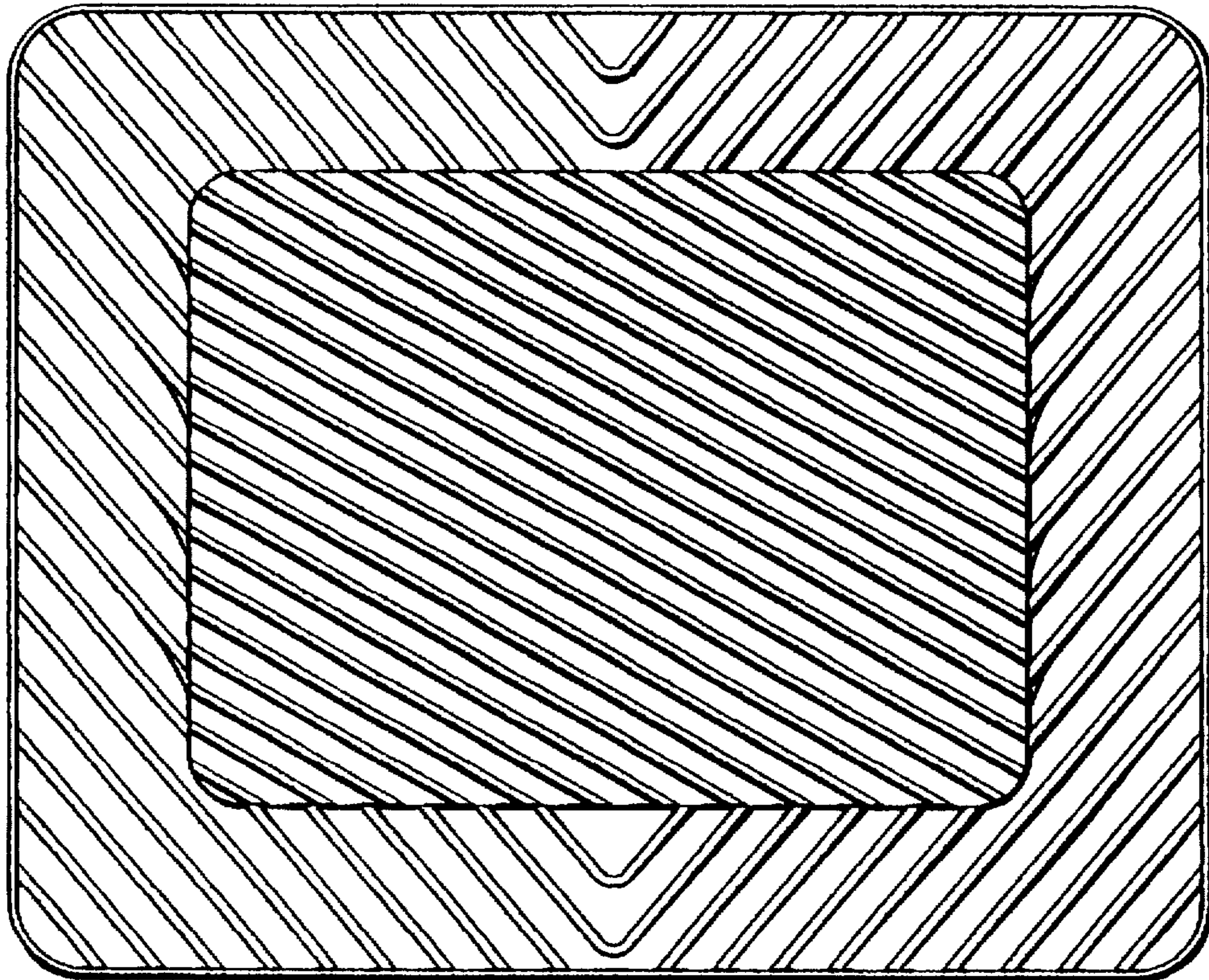


FIG. 4



FIG. 5



FIG. 6