

US00D394032S

**United States Patent** [19]  
**Maxwell**

[11] **Patent Number: Des. 394,032**

[45] **Date of Patent: \*\*May 5, 1998**

[54] **TIRE TREAD**

D. 348,862 7/1994 Daisho et al. .... D12/147  
4,702,292 10/1987 Brayer ..... 152/209 R

[75] **Inventor: Paul Bryan Maxwell, Munroe Falls, Ohio**

*Primary Examiner*—Gary D. Watson  
*Assistant Examiner*—Robert M. Spear  
*Attorney, Agent, or Firm*—T. P. Lewandowski

[73] **Assignee: The Goodyear Tire & Rubber Company, Akron, Ohio**

[57] **CLAIM**

[\*\*] **Term: 14 Years**

The ornamental design for a tire tread, as shown and described.

[21] **Appl. No.: 69,140**

**DESCRIPTION**

[22] **Filed: Apr. 11, 1997**

[51] **LOC (6) Cl. .... 12-15**

FIG. 1 is a perspective view of a tire tread, it being understood that the pattern repeats uniformly throughout the circumference of the tread;

[52] **U.S. Cl. .... D12/147**

FIG. 2 is a front elevational view thereof;

[58] **Field of Search .... D12/136, 138,  
D12/140-152; 152/209 A, 209 B, 209 D,  
209 R**

FIG. 3 is a right side elevational view thereof; and,

FIG. 4 is a left side elevational view thereof.

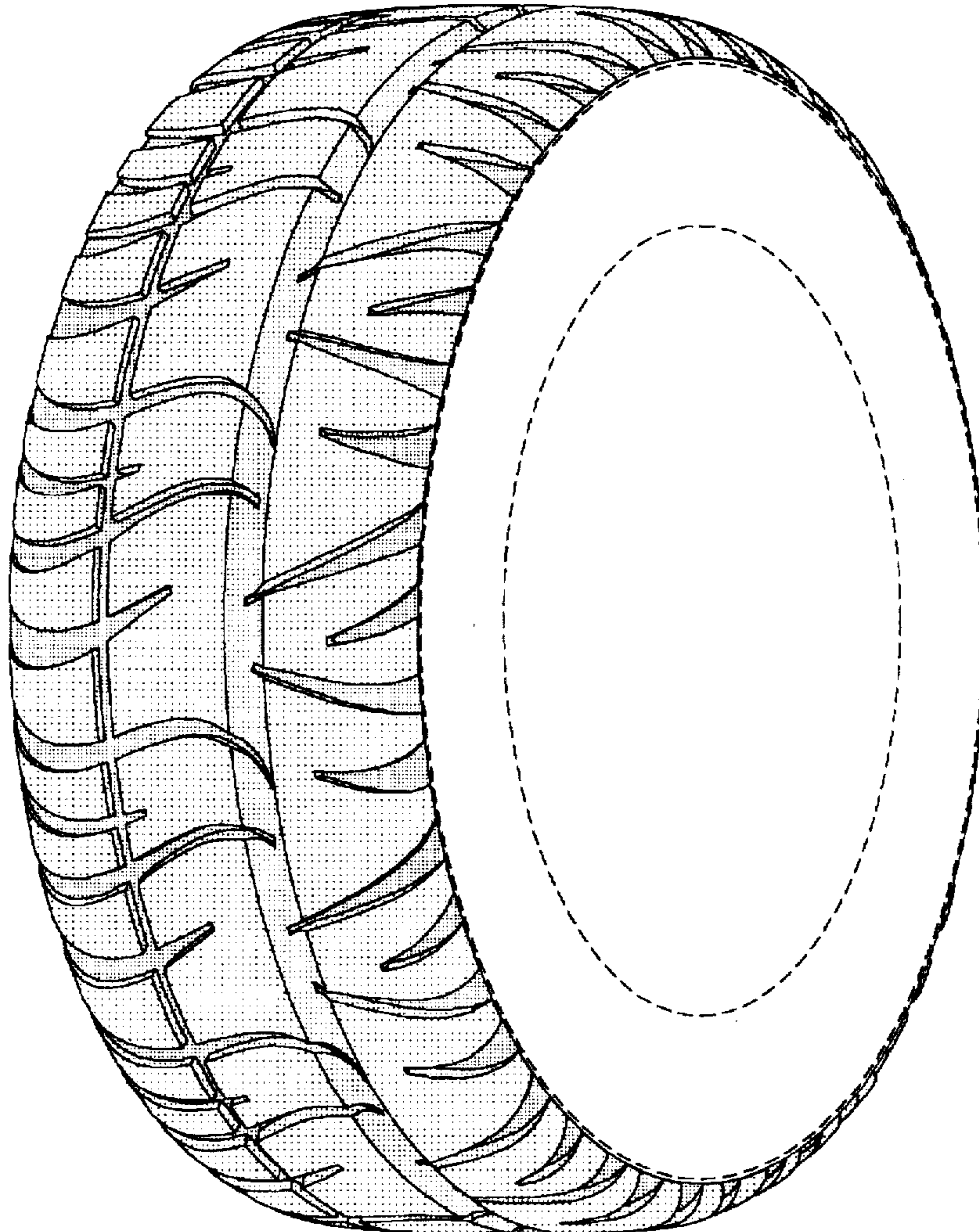
[56] **References Cited**

In the drawings, the broken lines defining the inner bead of the sidewall and the peripheral boundary between the tire tread and the sidewall are for illustrative purposes only and form no part of the claimed design.

**U.S. PATENT DOCUMENTS**

D. 335,843 5/1993 Montag ..... D12/146  
D. 345,132 3/1994 Kuramochi et al. .... D12/146  
D. 347,817 6/1994 Montag ..... D12/147

**1 Claim, 4 Drawing Sheets**



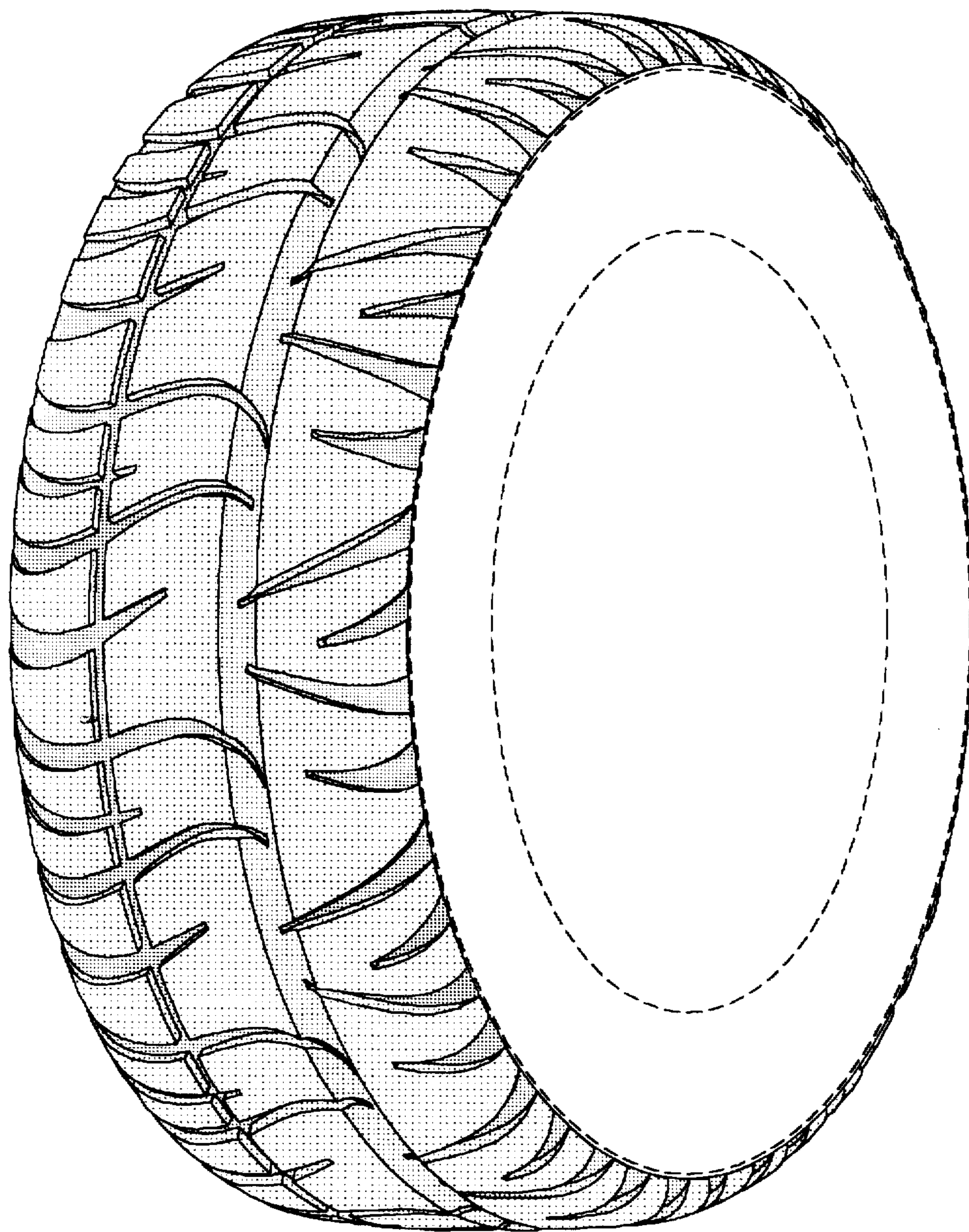


FIG. 1

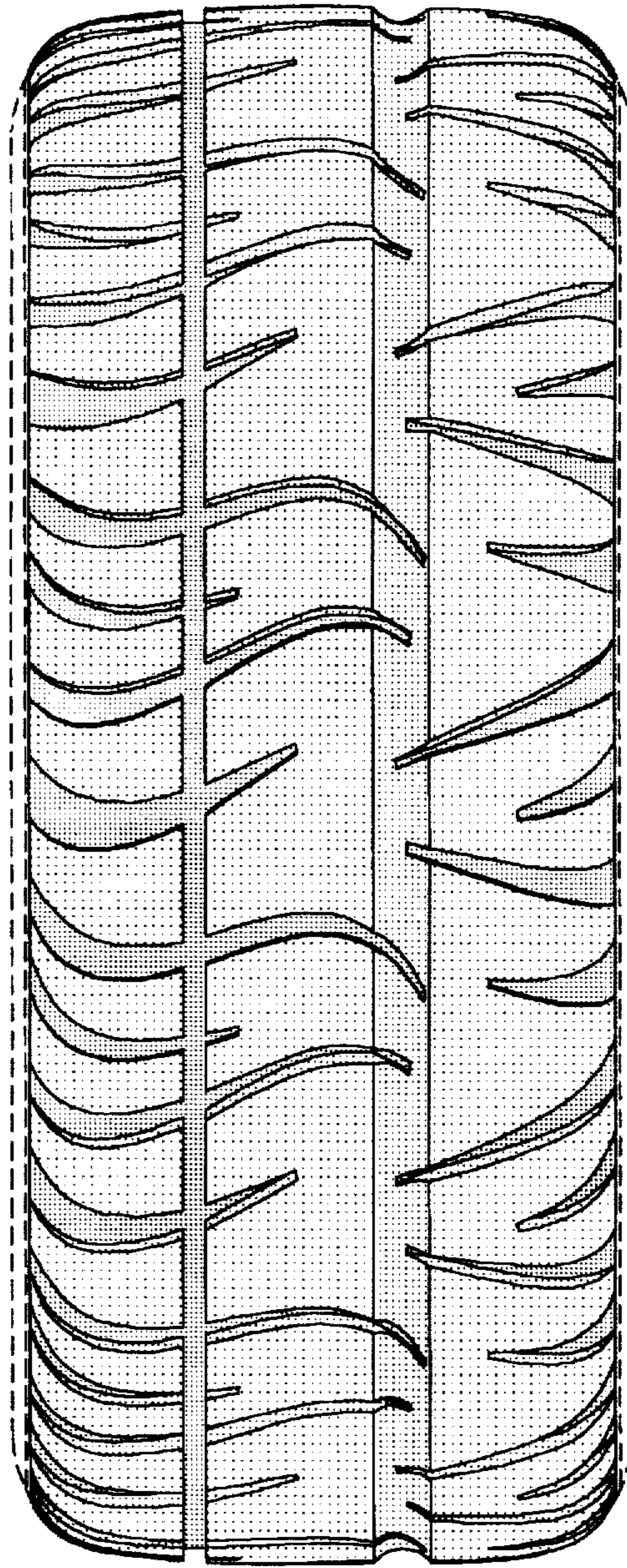


FIG. 2

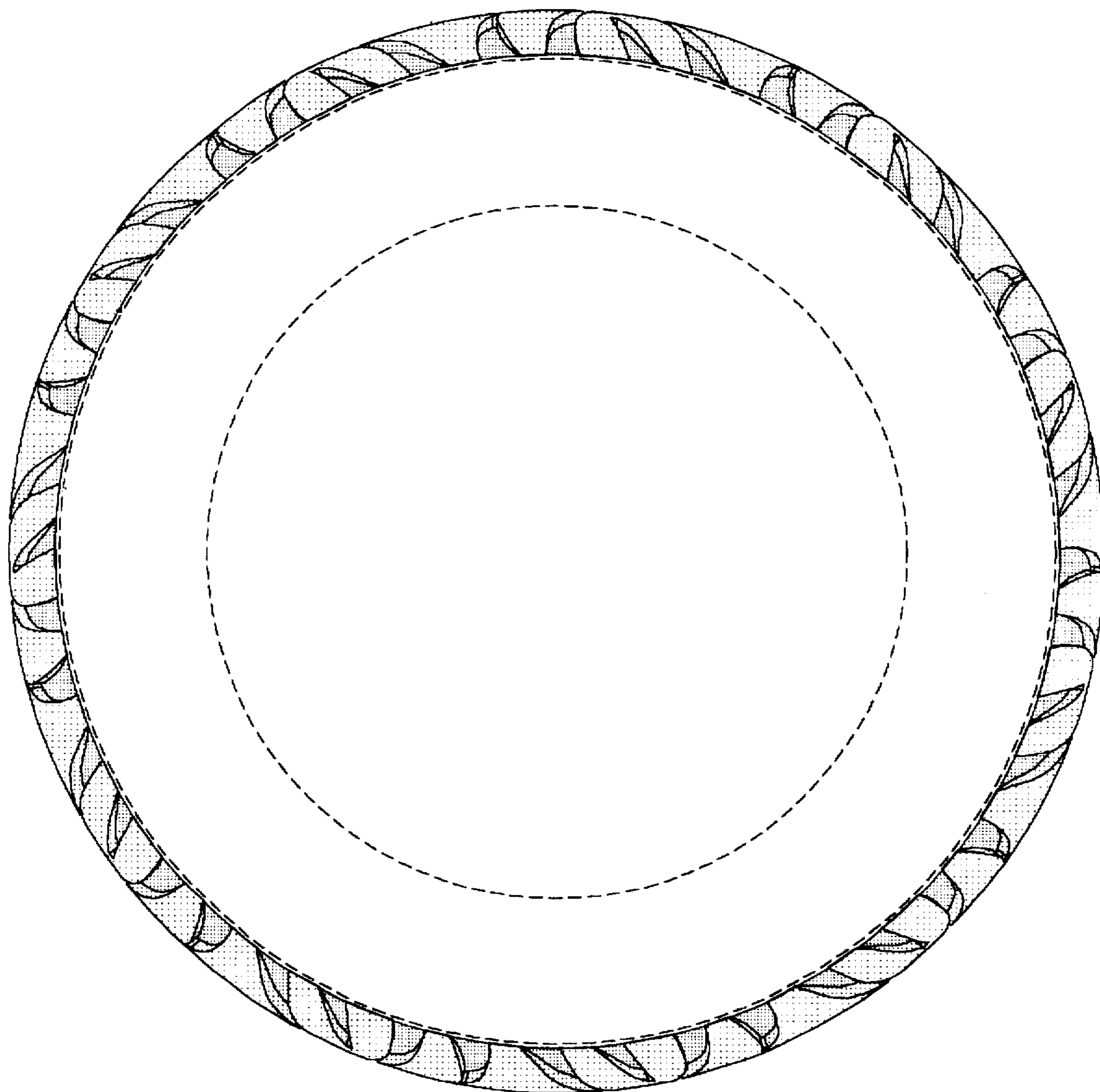


FIG. 3

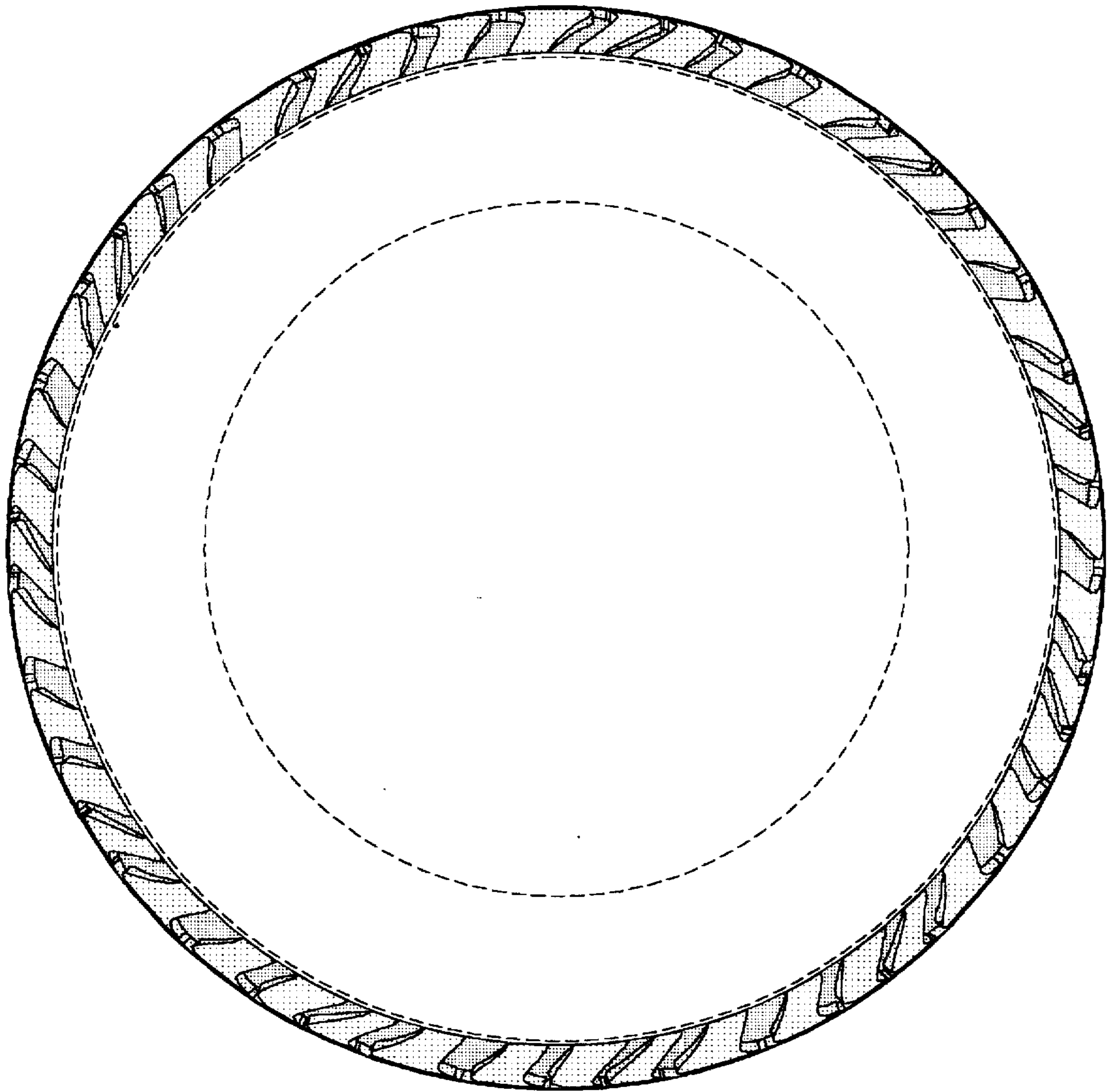


FIG. 4