

US00D394024S

United States Patent [19]
Johnson, III

[11] **Patent Number: Des. 394,024**
[45] **Date of Patent: **May 5, 1998**

[54] **SELF LOCKING STRAP BUCKLE**
[75] **Inventor: Walter M. Johnson, III.** Tarpon Springs, Fla.
[73] **Assignee: Net/Werk/USA, Inc.,** New York, N.Y.
[**] **Term: 14 Years**
[21] **Appl. No.: 73,529**
[22] **Filed: Jul. 14, 1997**
[51] **LOC (6) Cl. 02-07**
[52] **U.S. Cl. D11/218**
[58] **Field of Search D11/200, 201, D11/208-210, 212, 216, 218; 24/163 R, 165, 168, 200, 376, 400**

D. 267,909 2/1983 Fildan D11/218
D. 352,681 11/1994 Fildan D11/218
416,480 12/1889 Mayer 24/400
2,058,931 10/1936 Williams 24/200
3,967,347 7/1976 Bickis 24/200

Primary Examiner—Ralf Seifert
Attorney, Agent, or Firm—Moonray Kojima

[57] **CLAIM**

The ornamental design for self locking strap buckle, as shown and described.

DESCRIPTION

FIG. 1 is a top perspective view of a self locking strap buckle, showing my new design;
FIG. 2 is a top view thereof;
FIG. 3 is a top view thereof;
FIG. 4 is a front elevational view thereof; and,
FIG. 5 is a side elevational view thereof.

[56] **References Cited**

U.S. PATENT DOCUMENTS

D. 78,590 5/1929 Shields D11/218

1 Claim, 1 Drawing Sheet

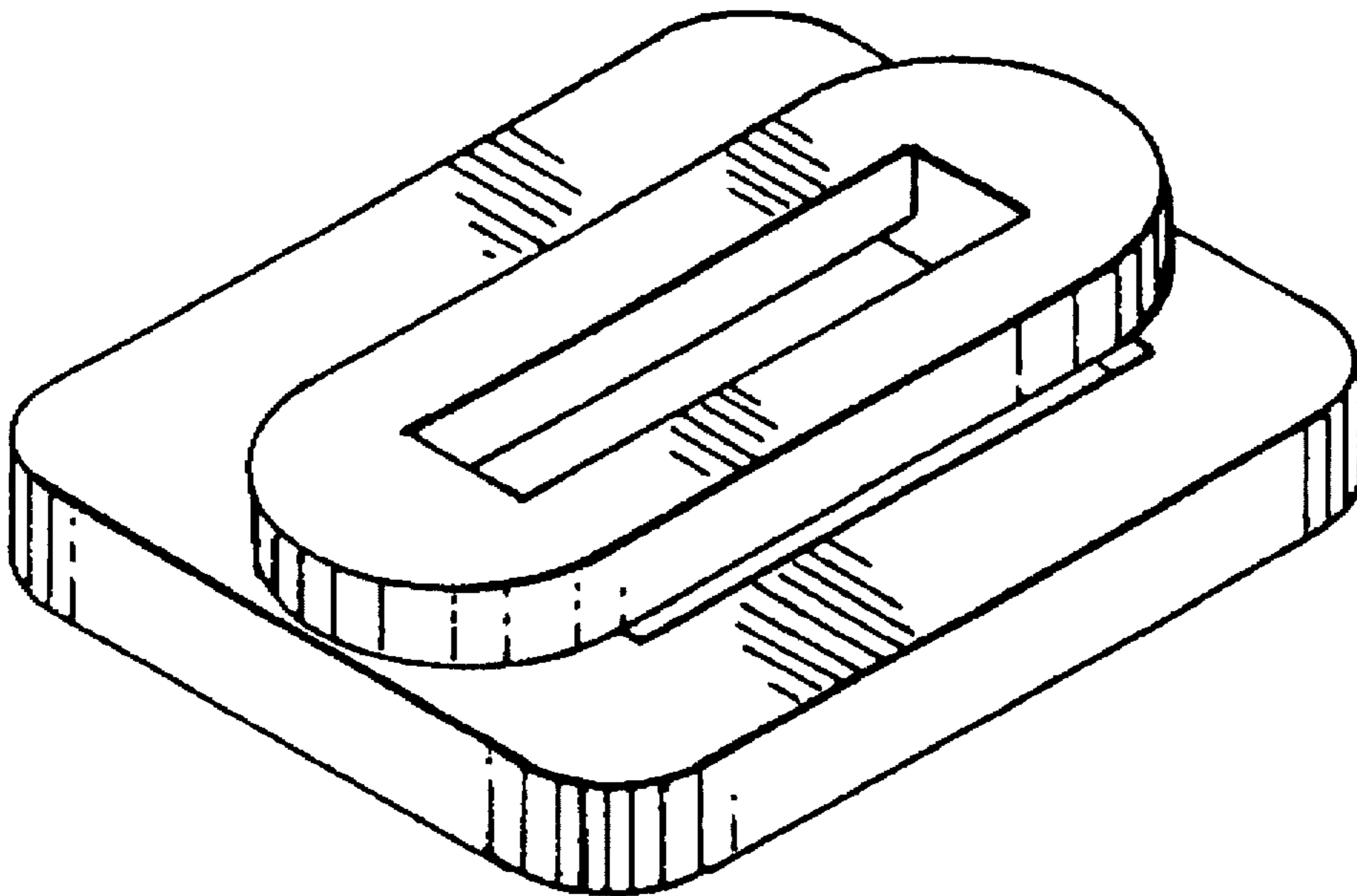


FIG. 1

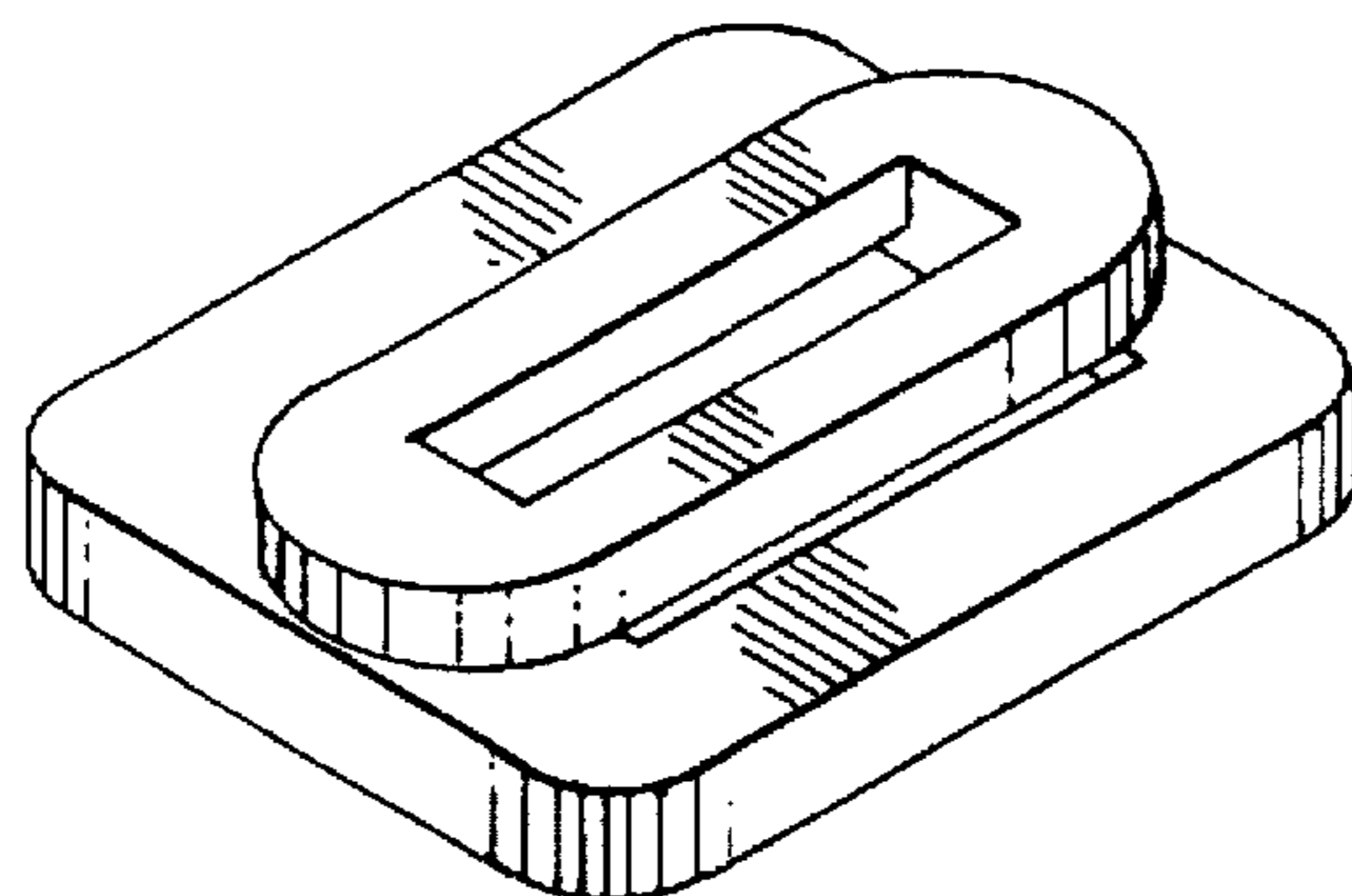


FIG. 2

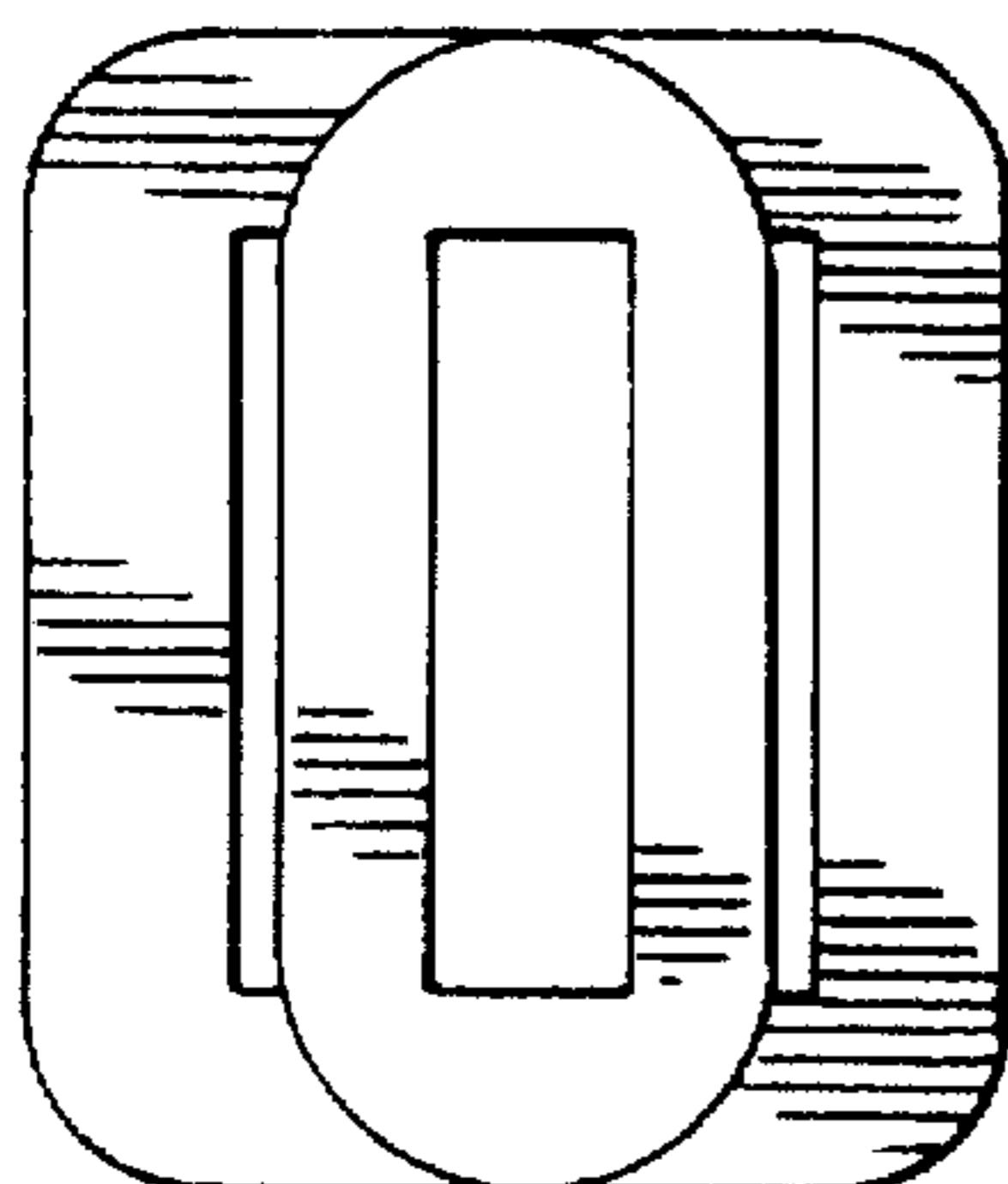


FIG. 3

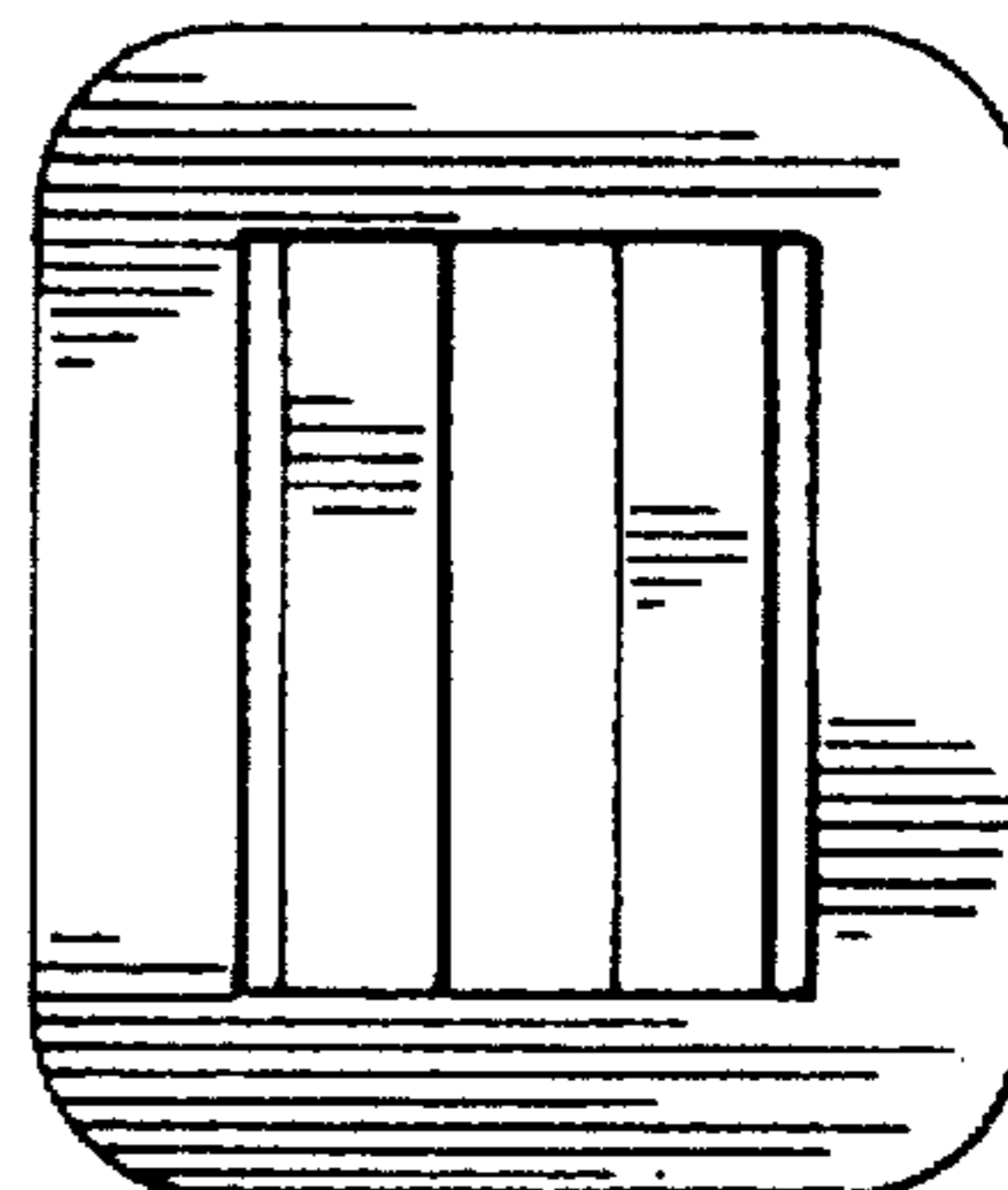


FIG. 4

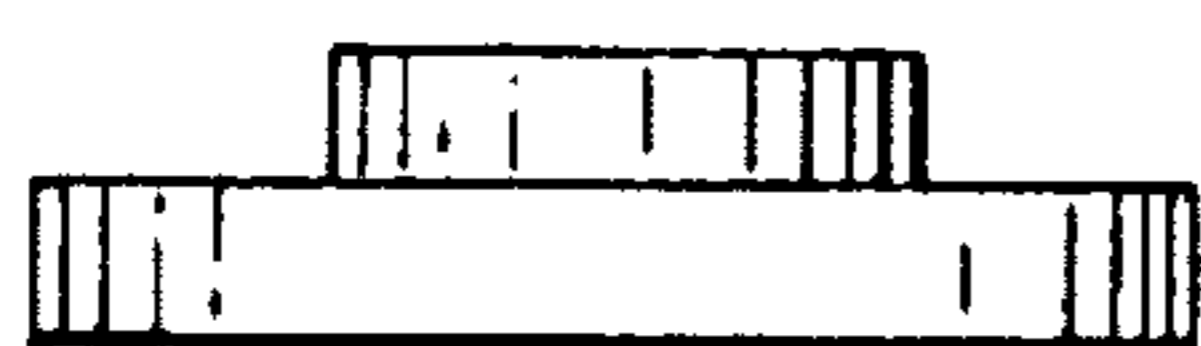


FIG. 5

