

US00D394018S

United States Patent [19]
Garcia

[11] **Patent Number: Des. 394,018**

[45] **Date of Patent: **May 5, 1998**

[54] **TRANSMITTER FOR LOCATING KEYS**

[76] **Inventor: Marcos Garcia, 516 N. Moore Ave.
#B, Monterey Park, Calif. 91754**

[**] **Term: 14 Years**

[21] **Appl. No.: 75,332**

[22] **Filed: Aug. 20, 1997**

[51] **LOC (6) Cl. 10-05**

[52] **U.S. Cl. D10/104**

[58] **Field of Search D10/104, 106,
D10/116, 121; D14/95, 174; 340/540, 541,
542, 565, 566, 571, 572, 573, 584**

[56] **References Cited**

U.S. PATENT DOCUMENTS

D. 333,633	3/1993	Issa	D10/106
D. 333,795	3/1993	Issa	D10/106
D. 333,996	3/1993	Matt et al.	D10/106
D. 345,932	4/1994	Fedalizo	D10/106
D. 346,339	4/1994	Lintick	D10/104
D. 350,494	9/1994	Hwang	D10/106

D. 358,785	5/1995	Flick	D10/104
4,593,273	6/1986	Narcisse	340/539
4,785,291	11/1988	Hawthorne	340/573
4,899,135	2/1990	Ghahaviian	340/573
5,204,657	4/1993	Prosser et al.	340/568

Primary Examiner—Marcus A. Jackson
Attorney, Agent, or Firm—Goldstein & Associates

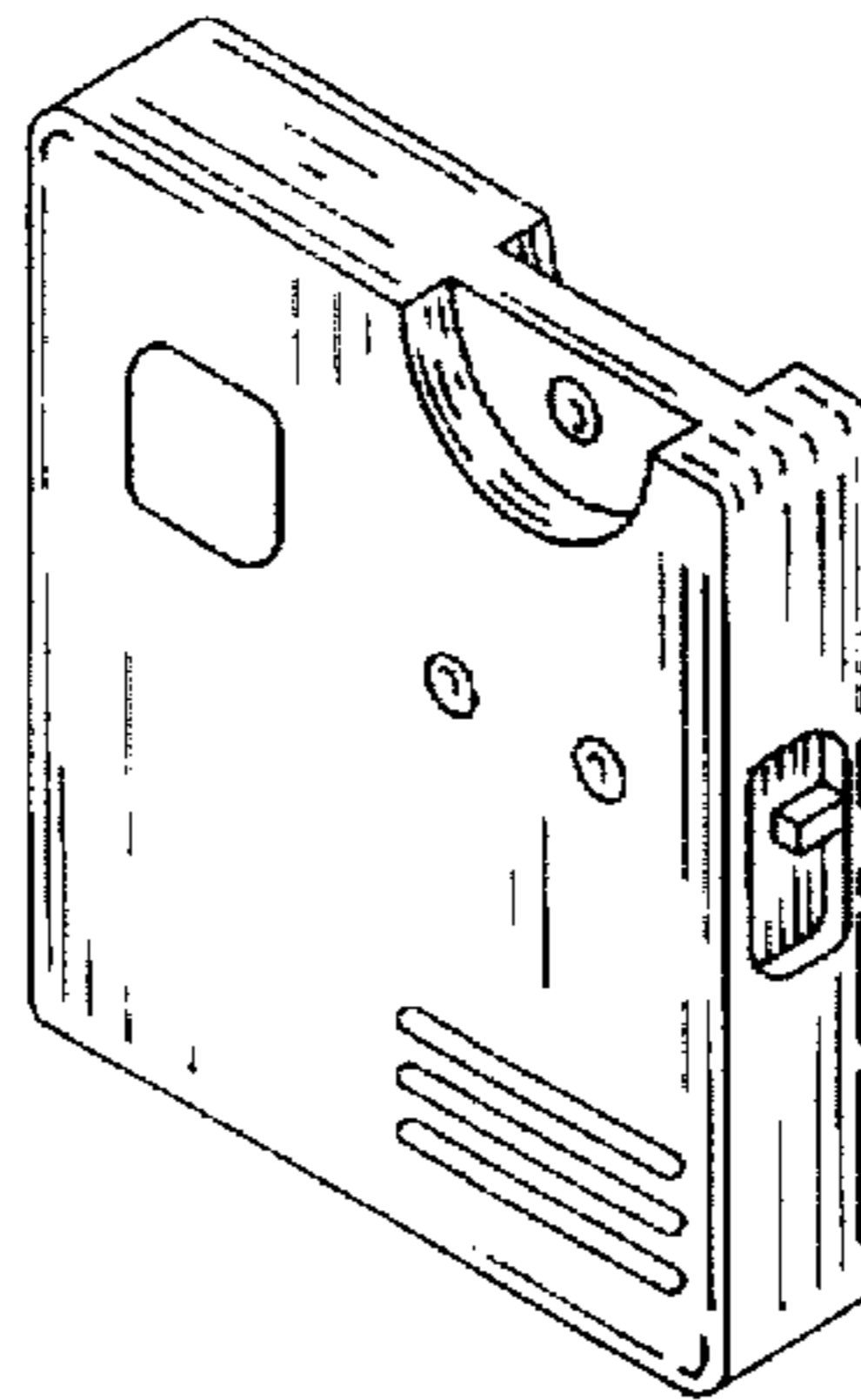
[57] **CLAIM**

The ornamental design for a transmitter for locating keys, as shown and described.

DESCRIPTION

FIG. 1 is a diagrammatic perspective view of a transmitter for locating keys;
FIG. 2 is a front elevational view thereof;
FIG. 3 is a rear elevational view thereof;
FIG. 4 is a right side elevational view thereof;
FIG. 5 is a left side elevational view thereof;
FIG. 6 is a top plan view of a transmitter for locating keys;
and,
FIG. 7 is a bottom plan view thereof.

1 Claim, 4 Drawing Sheets



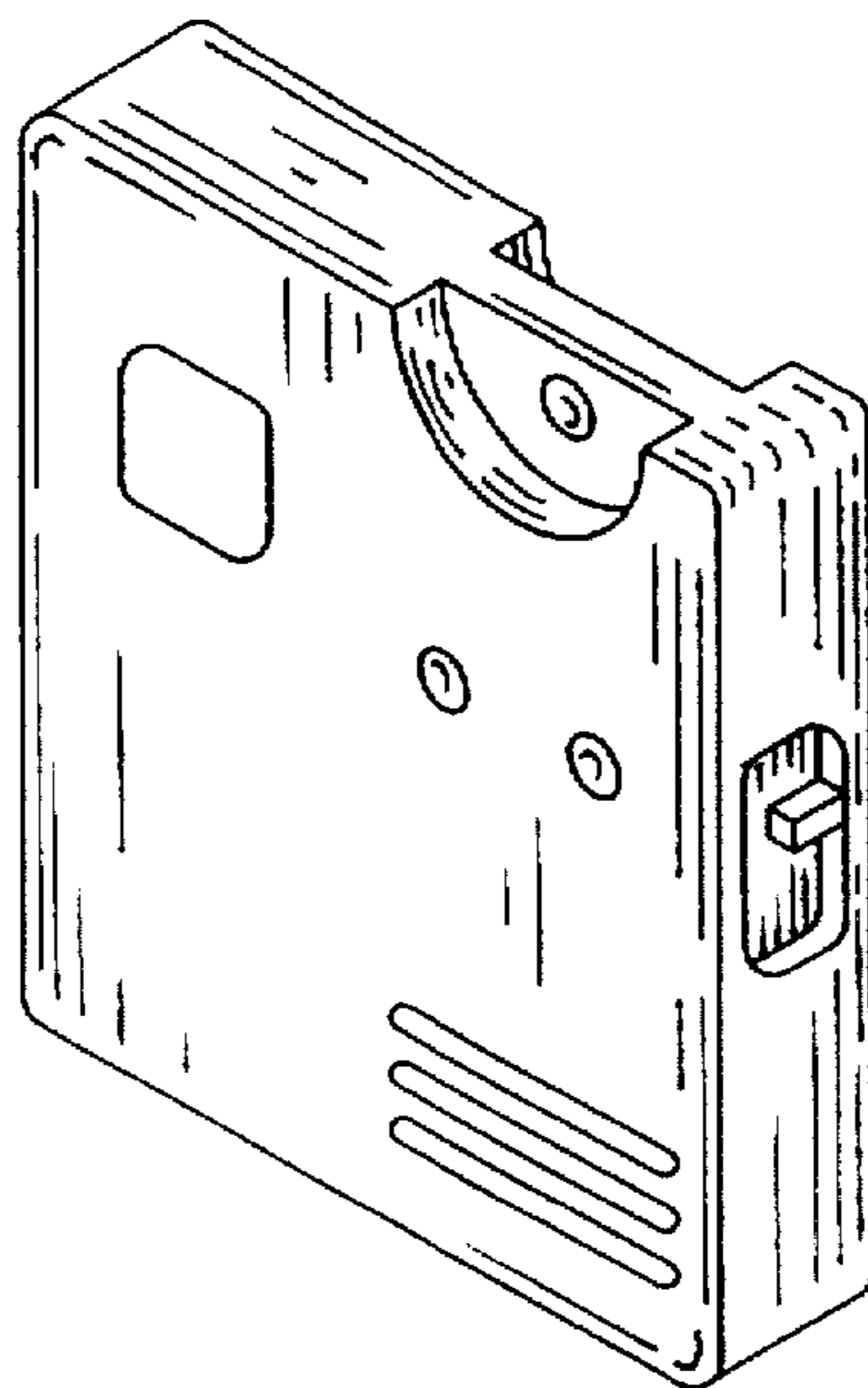


FIG. 1

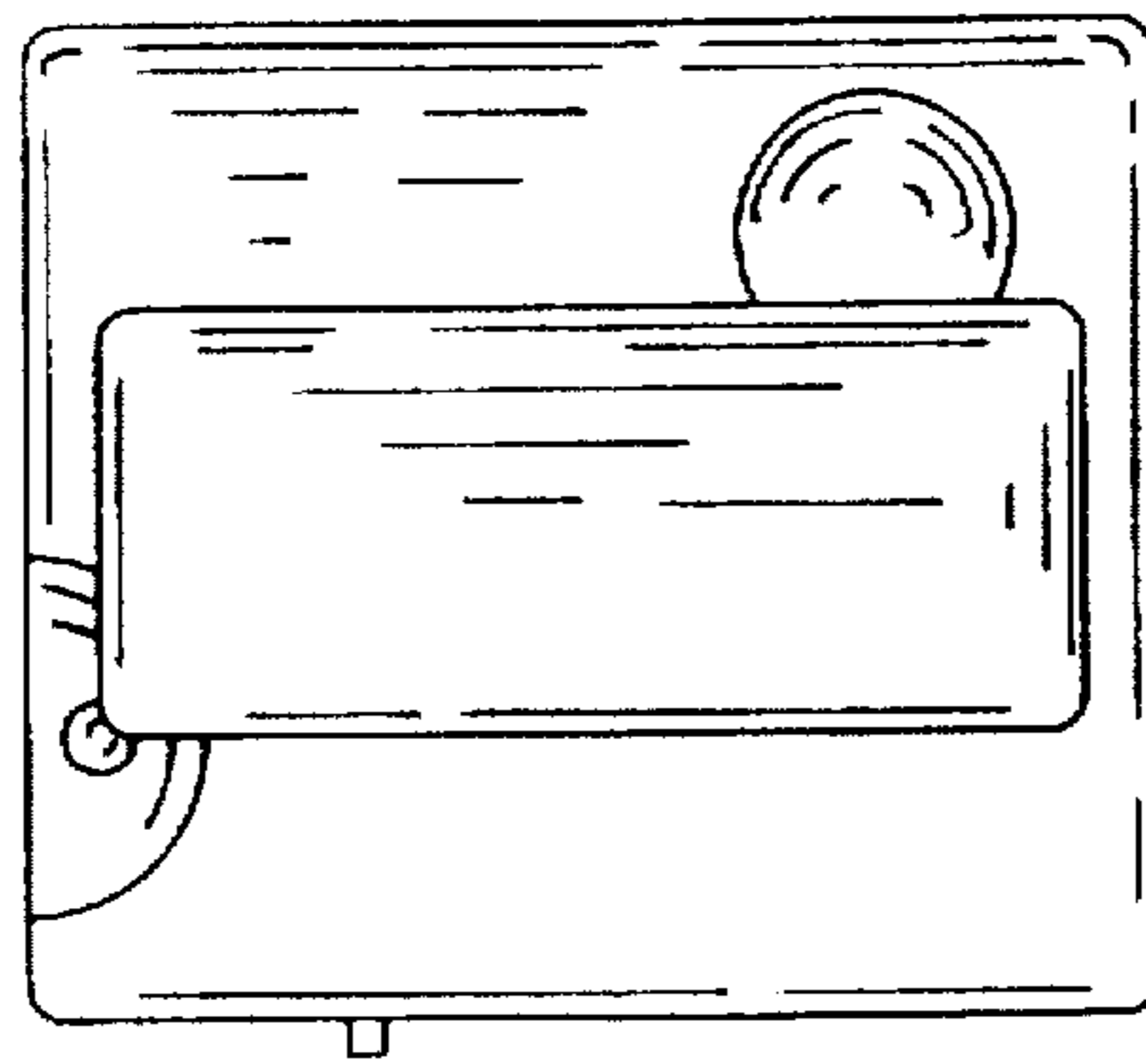


FIG. 3

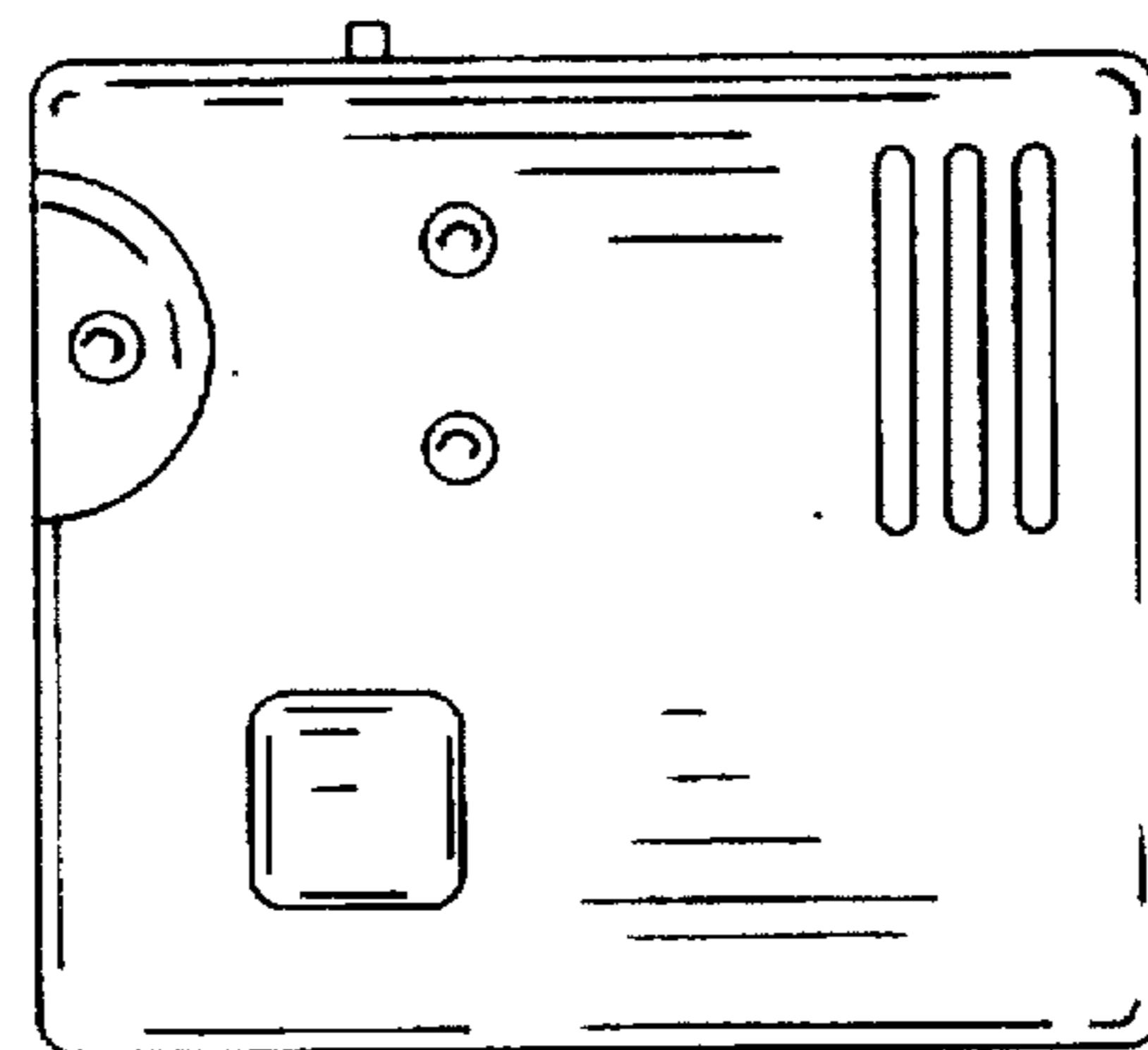


FIG. 2

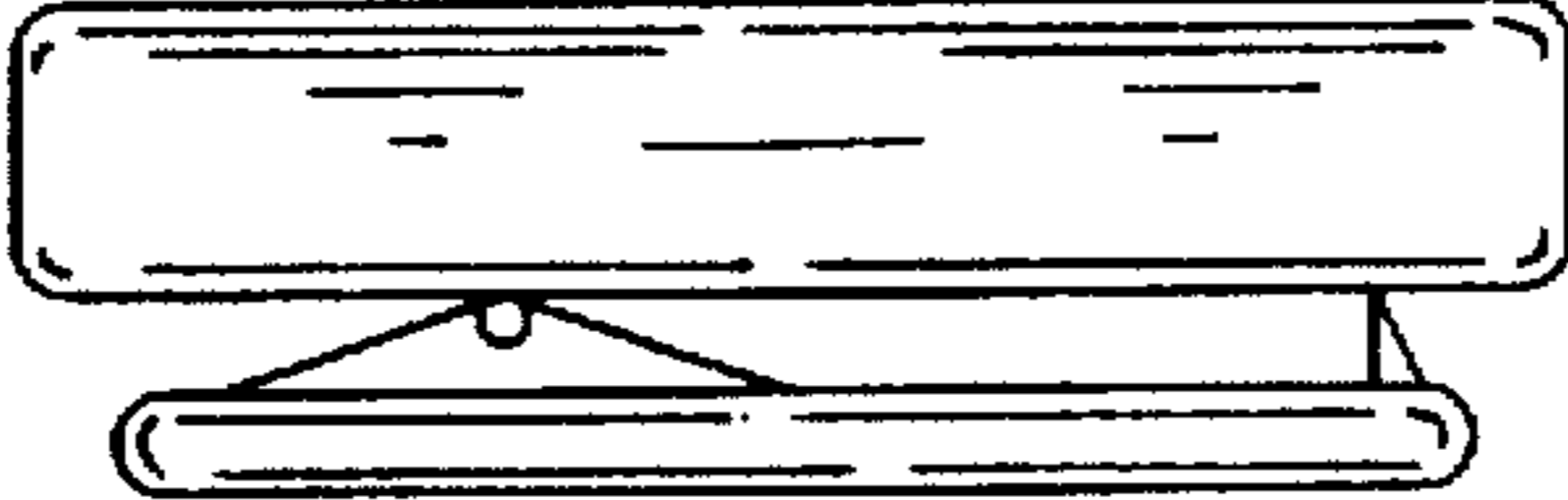


FIG. 5

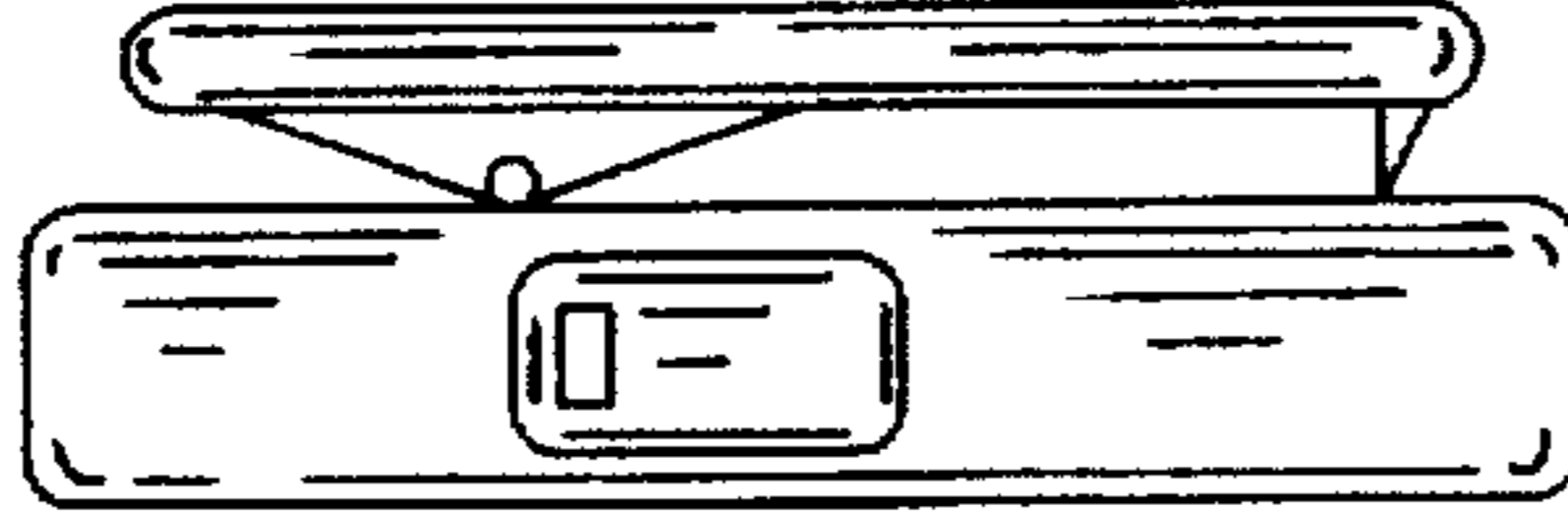


FIG. 4

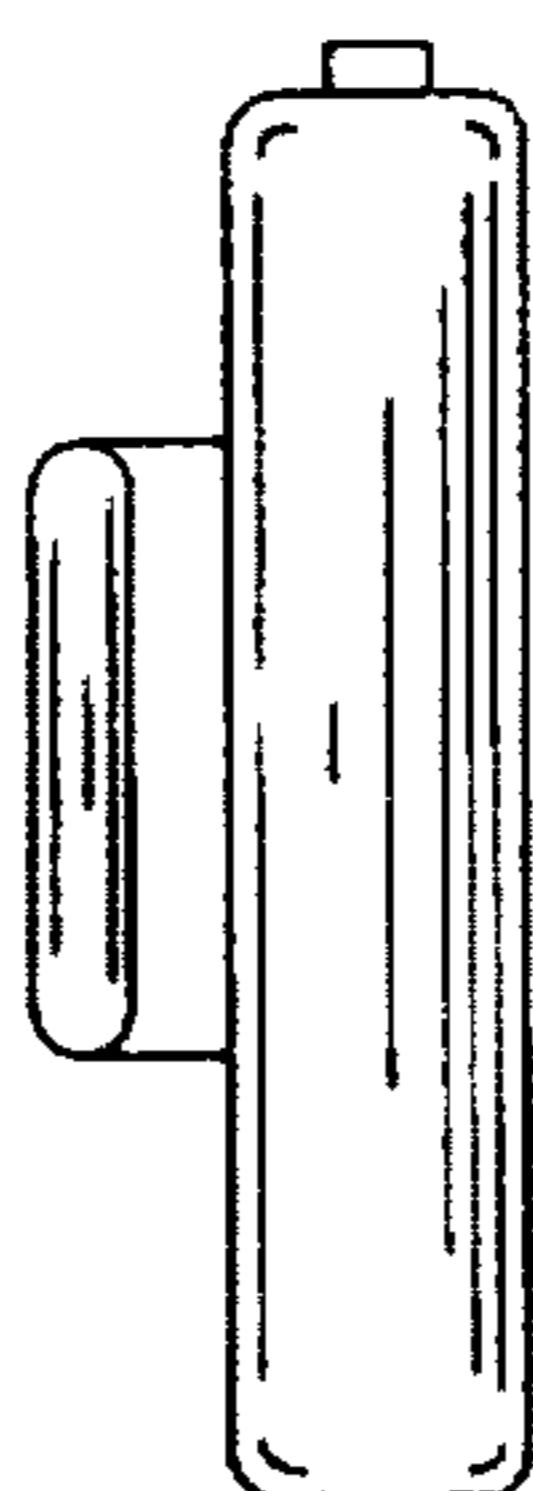


FIG. 7

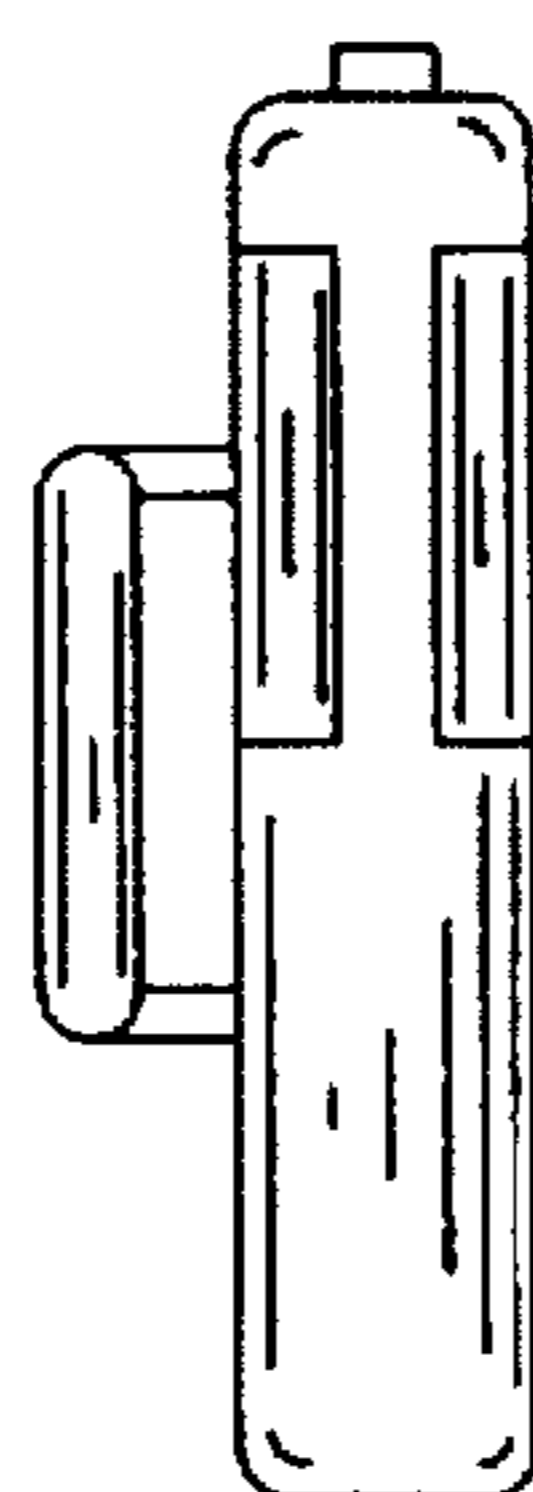


FIG. 6