



US00D394017S

# United States Patent [19]

Liao et al.

[11] Patent Number: **Des. 394,017**

[45] Date of Patent: **\*\*May 5, 1998**

[54] **FRONT PANEL FOR AN AUTOMOTIVE CLIMATE CONTROL**

[75] Inventors: **Shangshyan S. Liao**, Ann Arbor;  
**Nevenka Schumaker**, West Bloomfield,  
both of Mich.

[73] Assignee: **Ford Global Technologies, Inc.**,  
Dearborn, Mich.

[\*\*] Term: **14 Years**

[21] Appl. No.: **74,366**

[22] Filed: **Jul. 23, 1997**

[51] LOC (6) Cl. .... **10-04**

[52] U.S. Cl. .... **D10/103; D10/125; D10/50;**  
**D12/192; D14/258**

[58] Field of Search ..... **D10/49, 50, 103,**  
**D10/125; D12/192; D13/162; D14/258;**  
**174/50, 53, 58-60, 66, 70; 200/293-297,**  
**302.1, 302.2, 333, 334; 390/985-995; 361/331,**  
**332, 390-394; 236/462; 165/12, 2; 62/231,**  
**325.4, 158; 455/345-349**

[56] **References Cited**

**U.S. PATENT DOCUMENTS**

D. 334,572 4/1993 Gauthier et al. .

D. 350,139 8/1994 Fowler et al. .  
D. 354,451 1/1995 Burrell et al. .... D10/103  
D. 354,452 1/1995 Burrell et al. .... D10/103  
D. 354,492 1/1995 Schumaker et al. .  
D. 354,962 1/1995 Jazanoski et al. .  
D. 375,908 11/1996 Schumaker et al. .... D10/103 X  
D. 376,369 12/1996 Schumaker et al. .

*Primary Examiner*—Antoine Duval Davis  
*Attorney, Agent, or Firm*—Mark Mollon

[57] **CLAIM**

The ornamental design for a front panel of an automotive climate control, as shown.

**DESCRIPTION**

FIG. 1 is a front, top, and right side perspective view of a front panel for an automotive climate control showing our new design;

FIG. 2 is a left side view thereof;

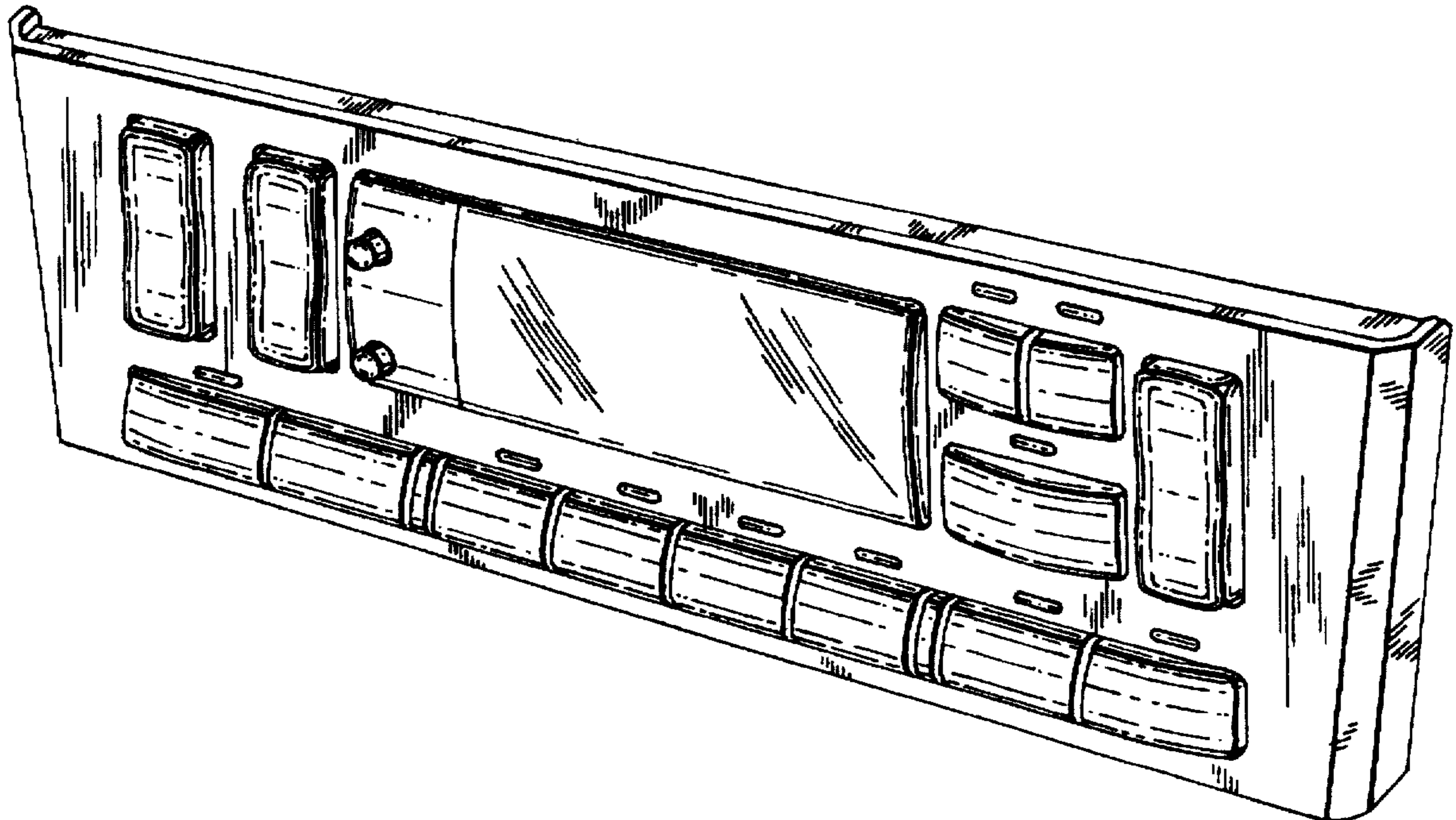
FIG. 3 is a right side view thereof;

FIG. 4 is a top view thereof;

FIG. 5 is a front view thereof; and,

FIG. 6 is a bottom view thereof.

**1 Claim, 2 Drawing Sheets**



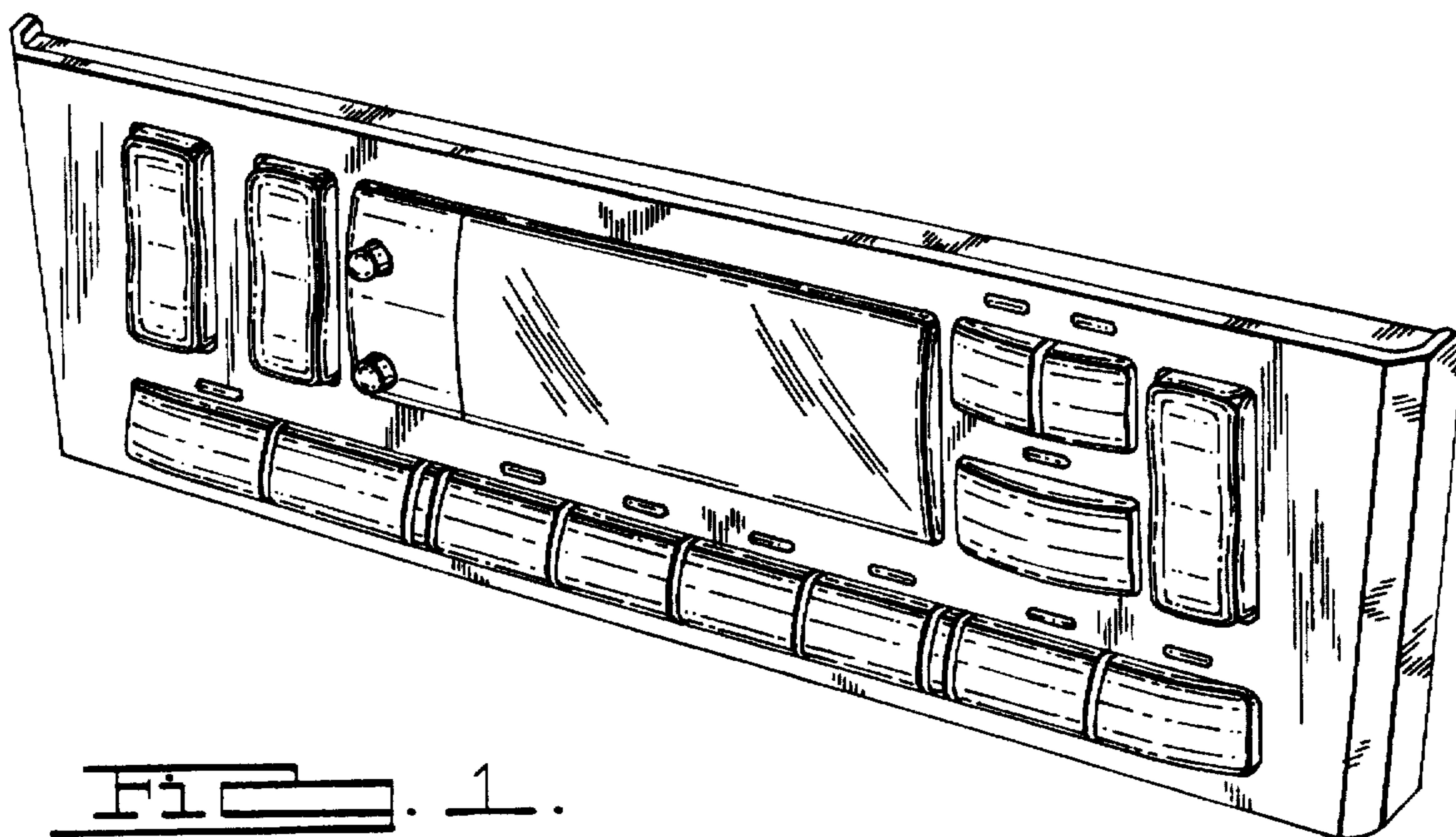


FIG. 1.

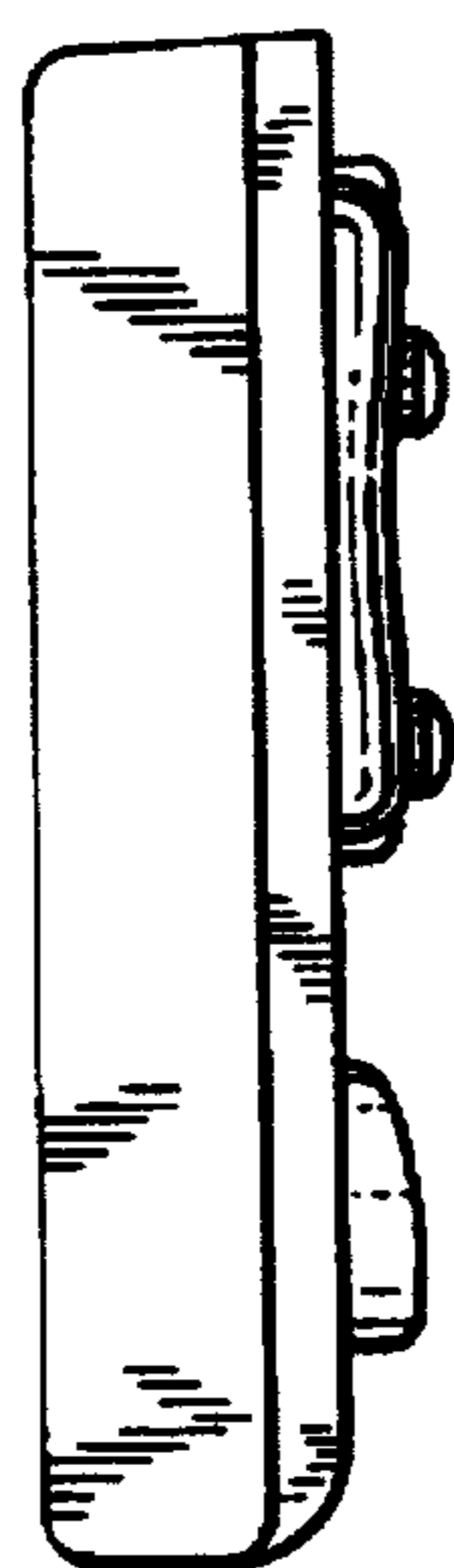


FIG. 2.

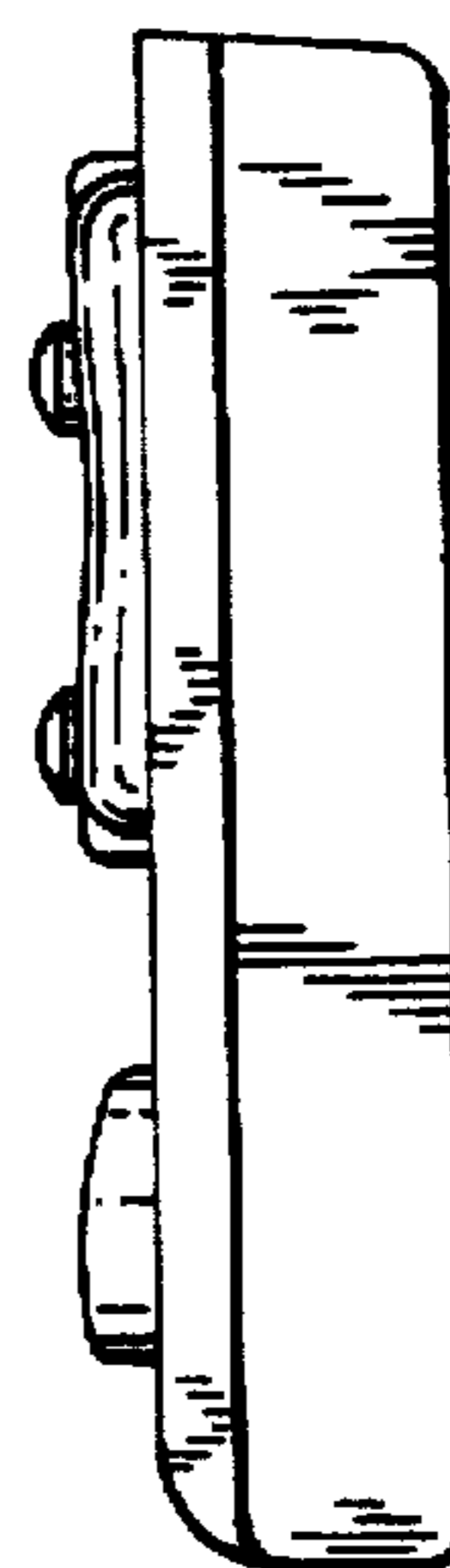


FIG. 3.

