



US00D394015S

United States Patent [19]

[11] Patent Number: **Des. 394,015**

Kellstedt, Jr. et al.

[45] Date of Patent: ****May 5, 1998**

[54] **HARDNESS TESTER**

[75] Inventors: **Charles W. Kellstedt, Jr.; Joel M. Lieblein**, both of Sudbury, Mass.

[73] Assignee: **Instron Corporation**, Canton, Mass.

[**] Term: **14 Years**

[21] Appl. No.: **68,523**

[22] Filed: **Mar. 21, 1997**

Related U.S. Application Data

[63] Continuation-in-part of Ser. No. 55,015, May 28, 1996, abandoned.

[51] LOC (6) Cl. **10-04**

[52] U.S. Cl. **D10/83; D10/46**

[58] Field of Search **D10/46, 83; 73/81, 73/82, 83, 84, 85; 328/693**

[56] **References Cited**

U.S. PATENT DOCUMENTS

- D. 250,514 12/1978 Etchison D10/83
- D. 283,599 4/1986 Biddle, Jr. et al. D10/83 X
- D. 351,804 10/1994 Kellstedt, Jr. et al. D10/83
- 5,616,857 4/1997 Merck, Jr. et al. 73/82

Primary Examiner—Antoine Duval Davis
Attorney, Agent, or Firm—Levisohn, Lerner, Berger & Langsam

[57] **CLAIM**

The ornamental design for a hardness tester, as shown and described.

DESCRIPTION

FIG. 1 is a perspective view of the hardness tester of this invention;

FIG. 2 is a front view of the hardness tester of this invention; FIG. 3 is a left side view of the hardness tester of this invention;

FIG. 4 is a right side view of the hardness tester of this invention;

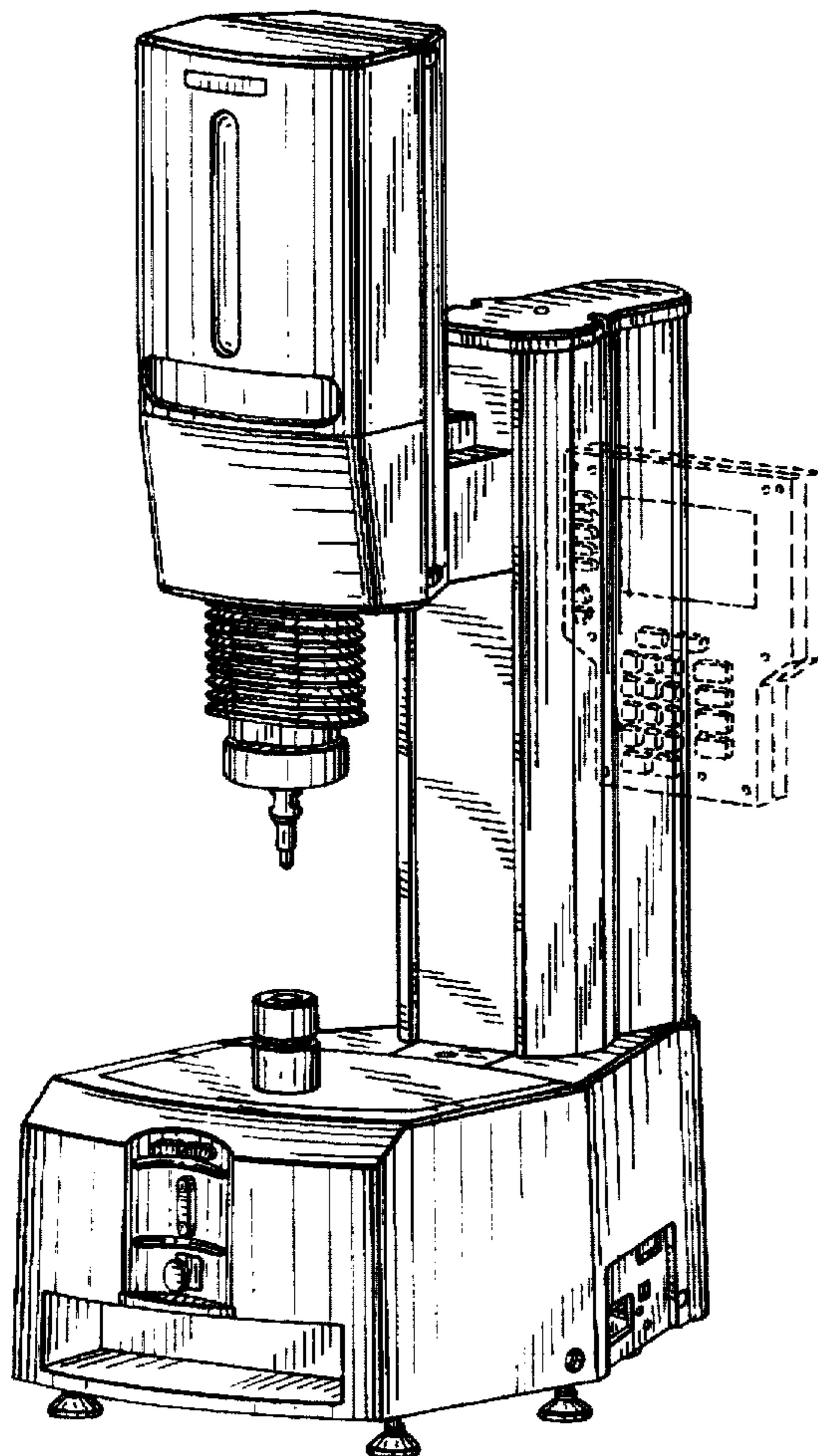
FIG. 5 is a top view of the hardness tester of this invention; and,

FIG. 6 is a bottom view of the hardness tester of this invention.

The rear view of the hardness tester of this invention does not form an ornamental aspect of the design of this hardness tester.

The broken line showing is for illustrative purposes only and forms no part of the claimed design.

1 Claim, 6 Drawing Sheets



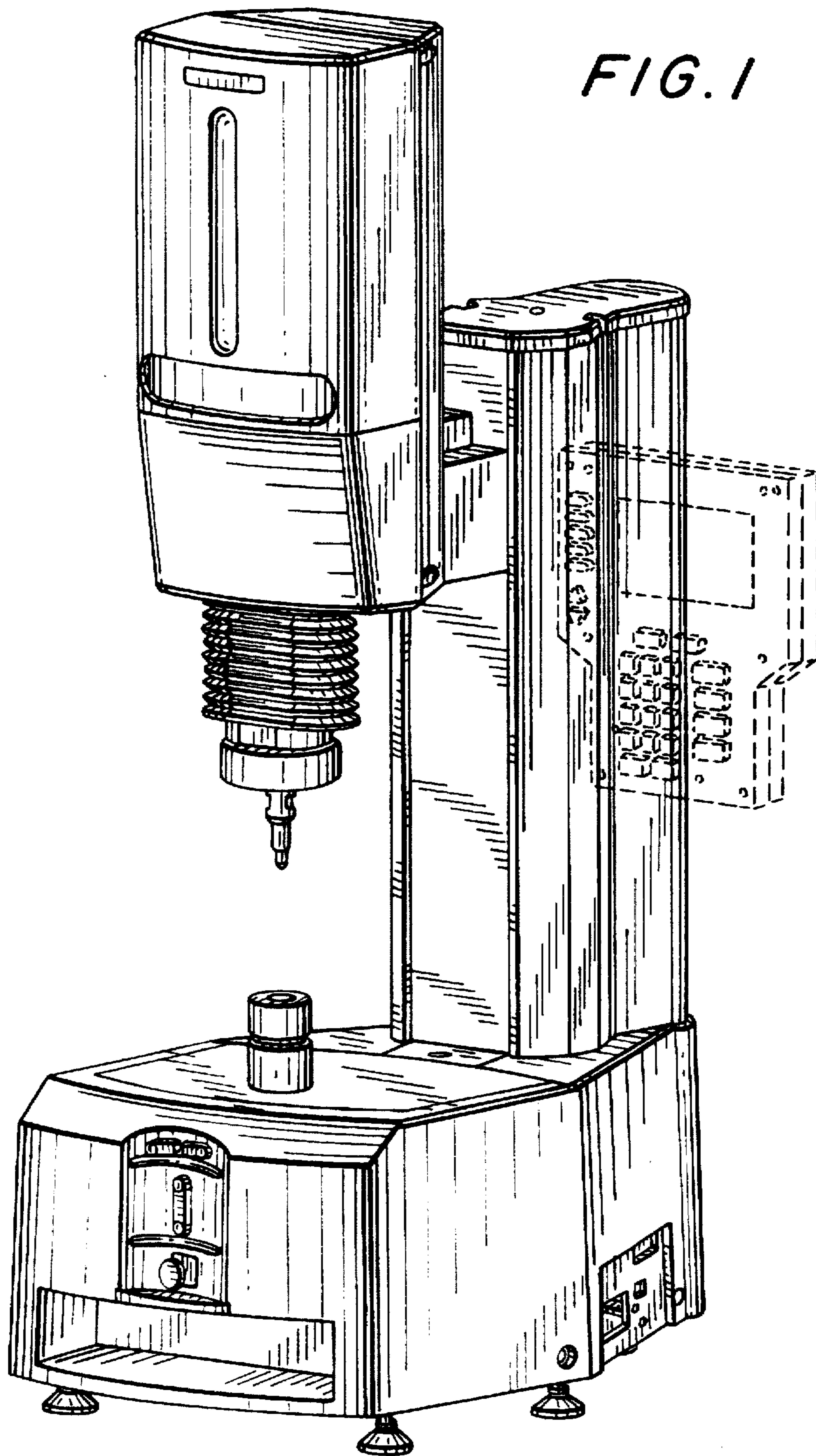


FIG. 1

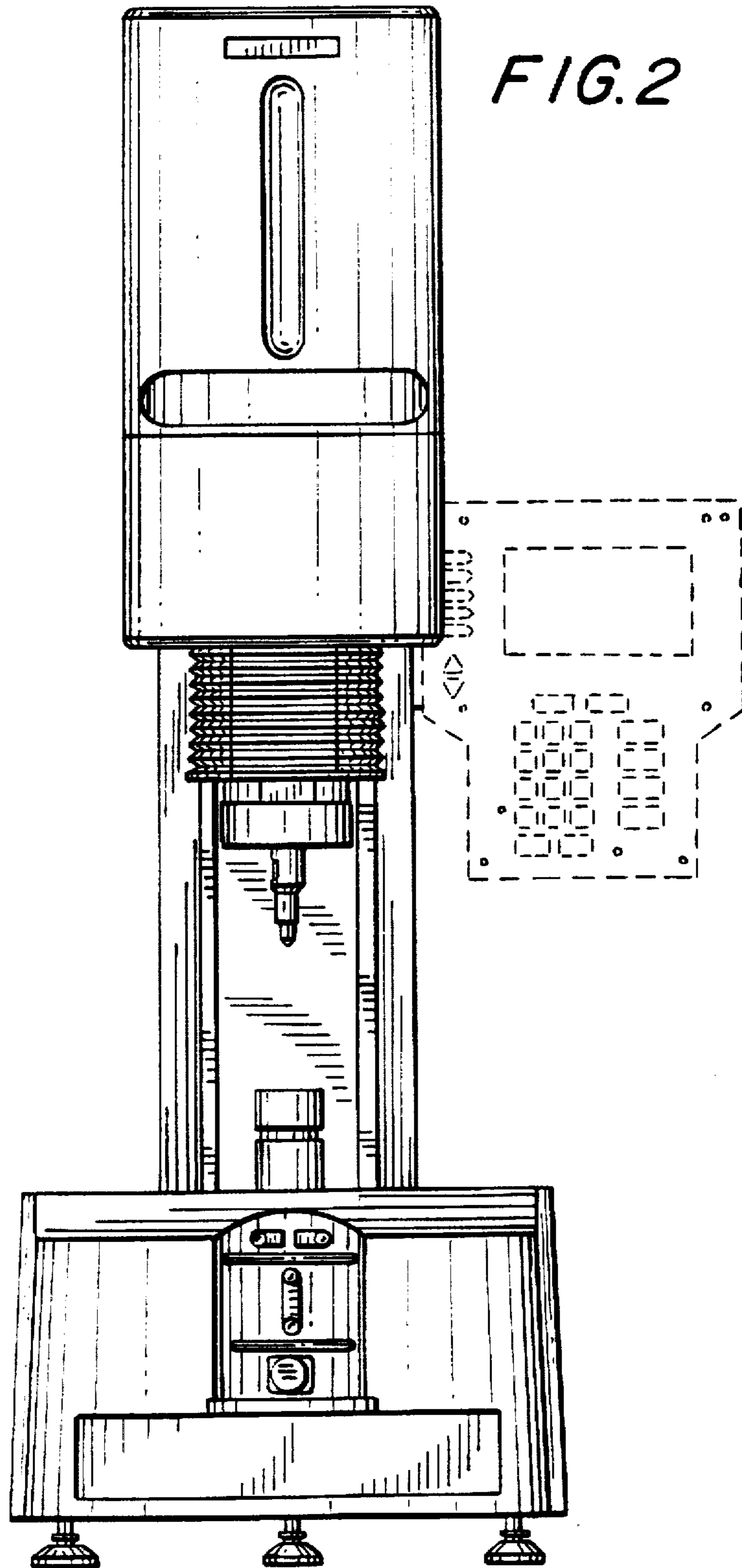
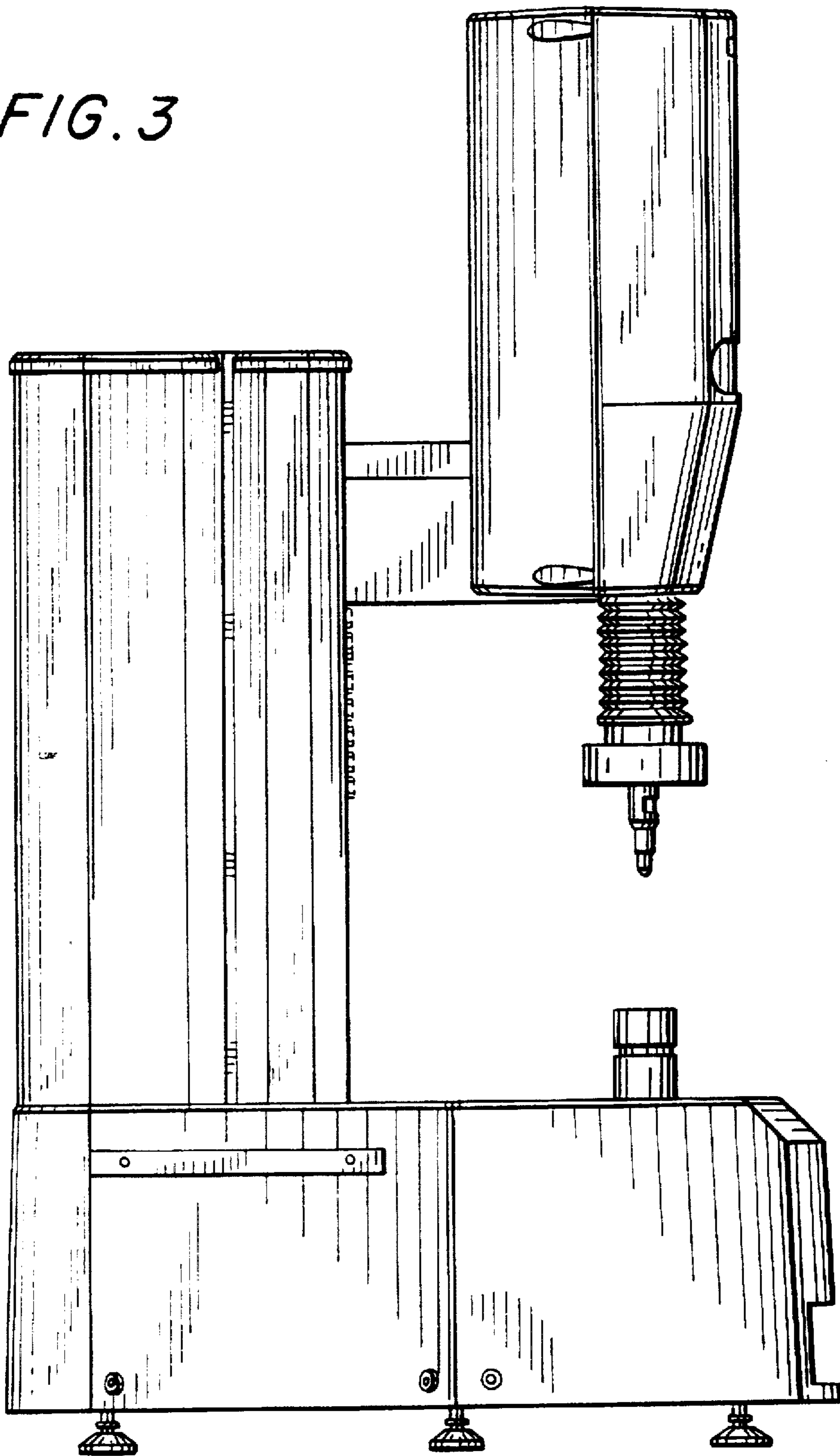


FIG. 3



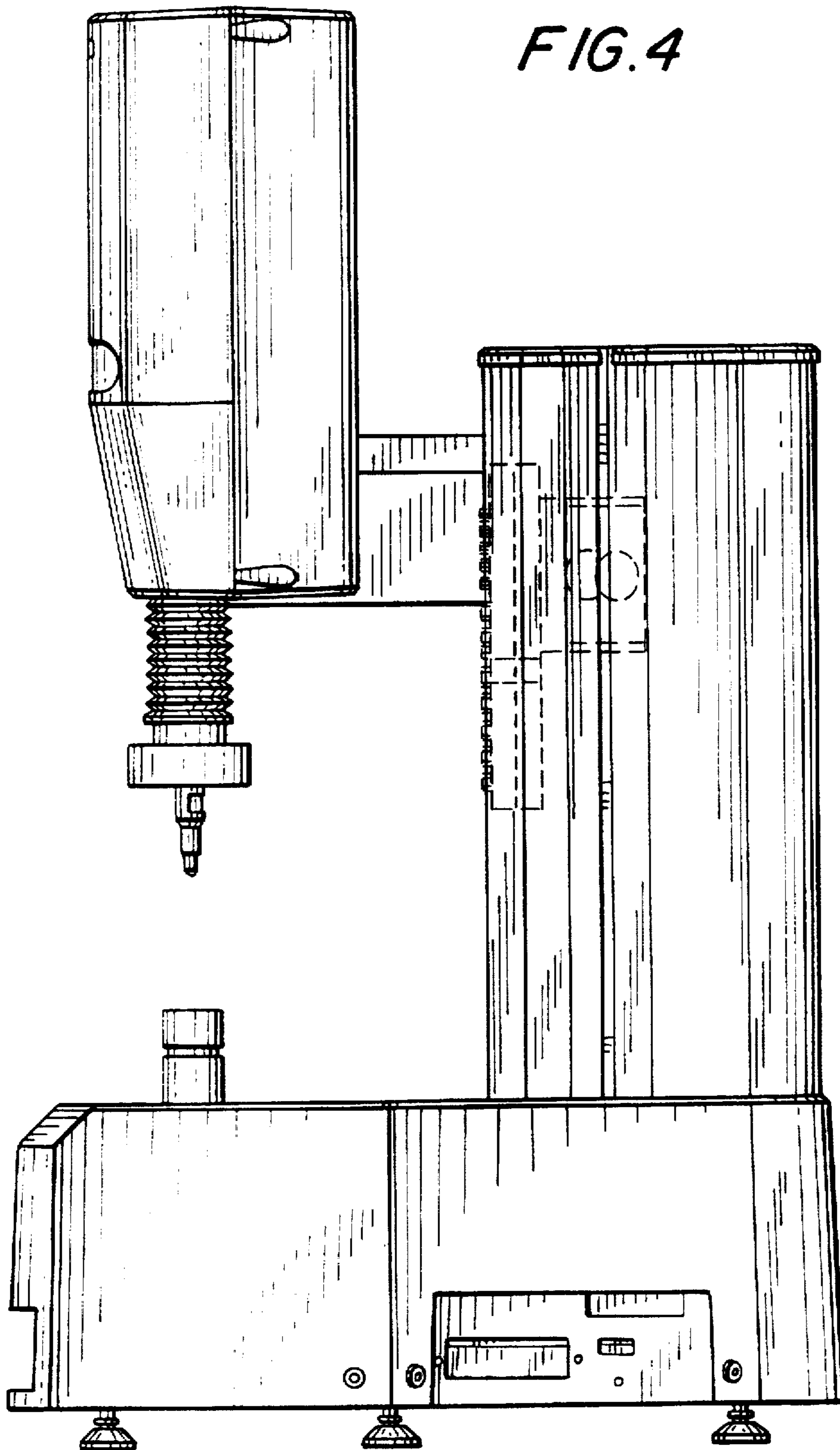


FIG. 5

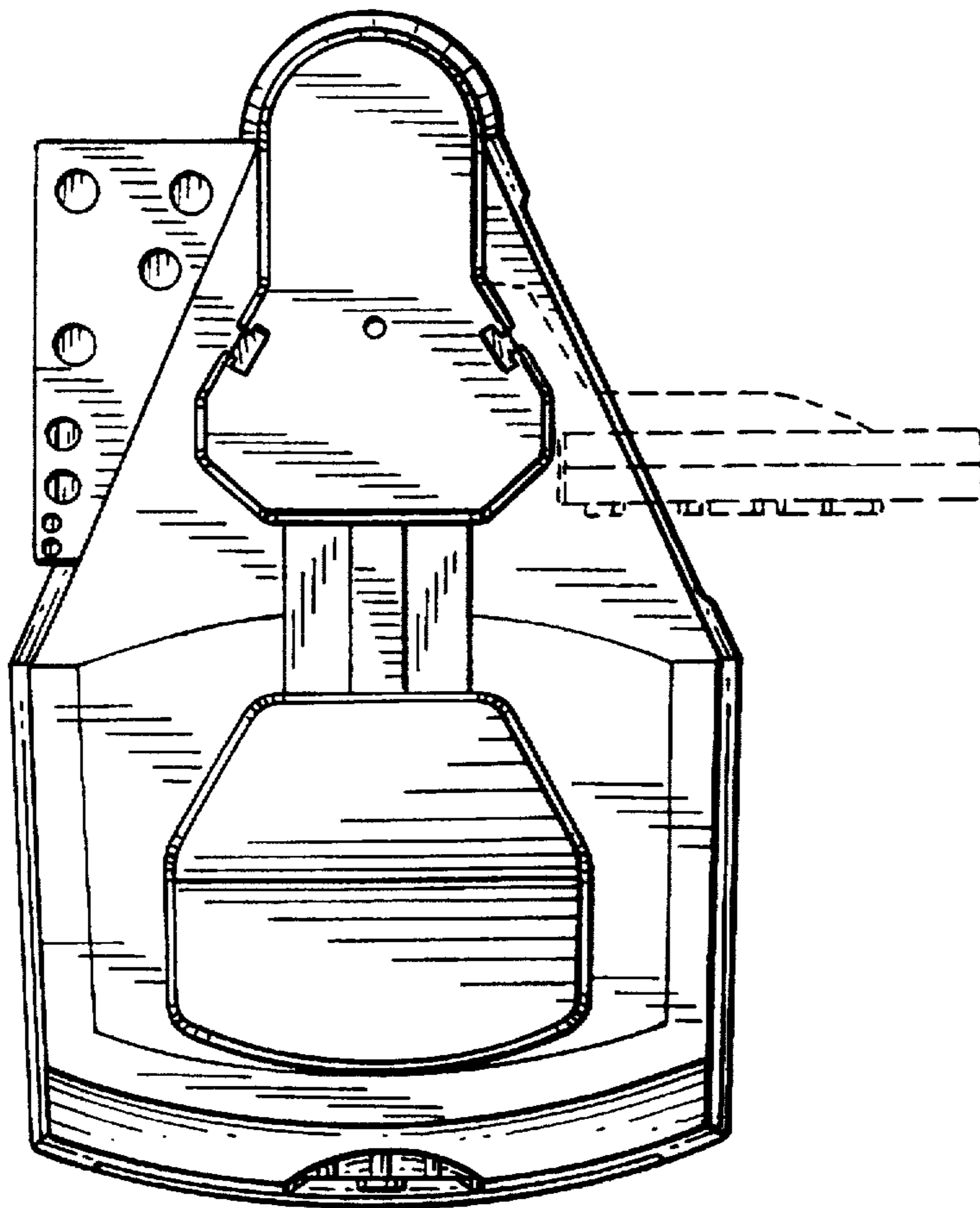


FIG. 6

