

US00D394014S

United States Patent [19]

Laib

[11] Patent Number: **Des. 394,014**

[45] Date of Patent: ****May 5, 1998**

[54] **MEASURING SPOON**

3,400,591 9/1968 Larson .
4,043,203 8/1977 Montesi .

[75] Inventor: **Douglas M. Laib**, Orlando, Fla.

Primary Examiner—Terry A. Wallace
Attorney, Agent, or Firm—John A. Doninger

[73] Assignee: **Dart Industries Inc.**, Orlando, Fla.

[**] Term: **14 Years**

[57] **CLAIM**

[21] Appl. No.: **72,081**

The ornamental design for a measuring spoon, as shown and described.

[22] Filed: **Jun. 18, 1997**

DESCRIPTION

[51] LOC (6) Cl. **10-04**

[52] U.S. Cl. **D10/46.2**

[58] Field of Search D7/688-692, 653;
D10/46.2; 30/324-328; 73/426-429

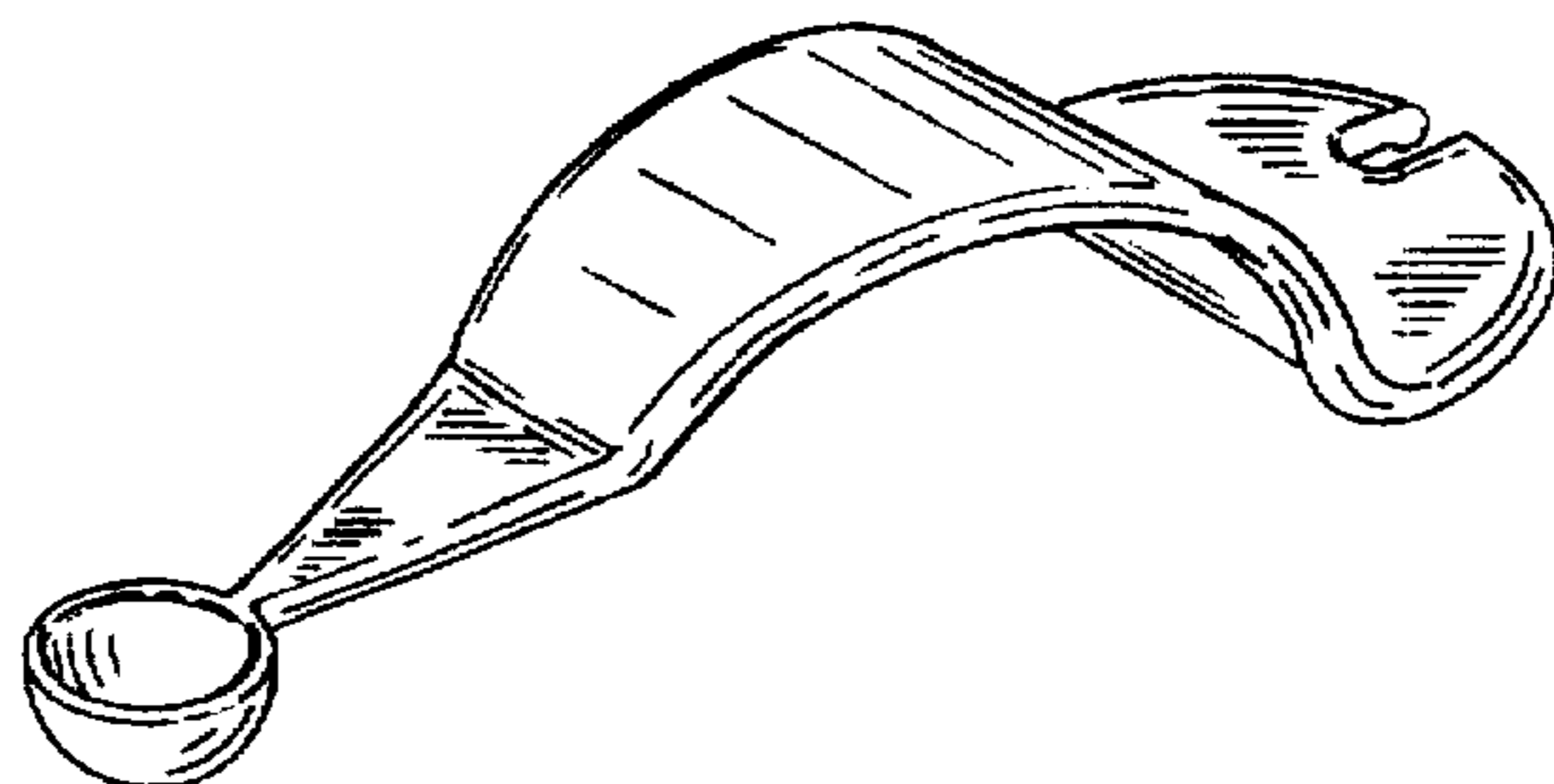
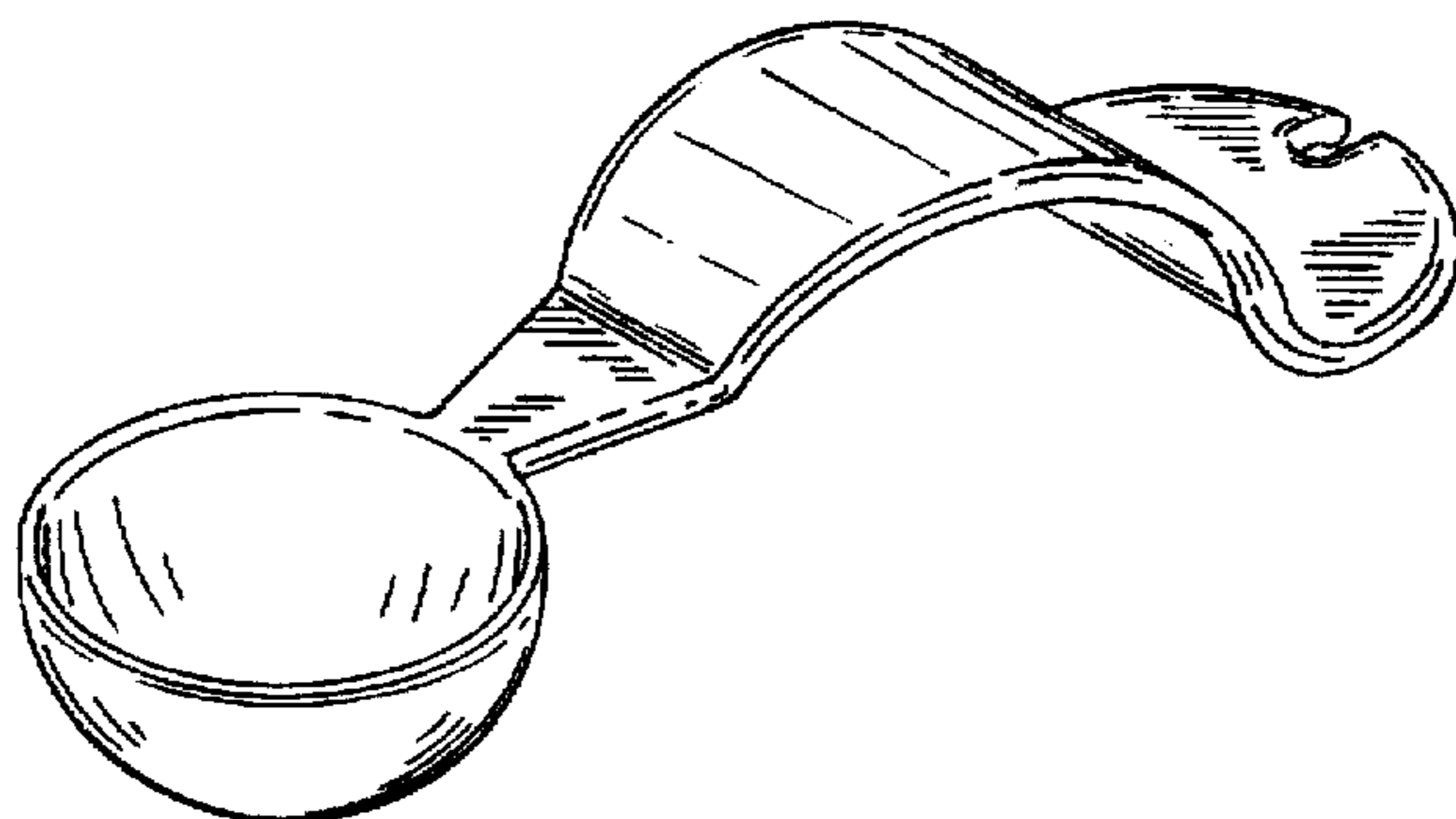
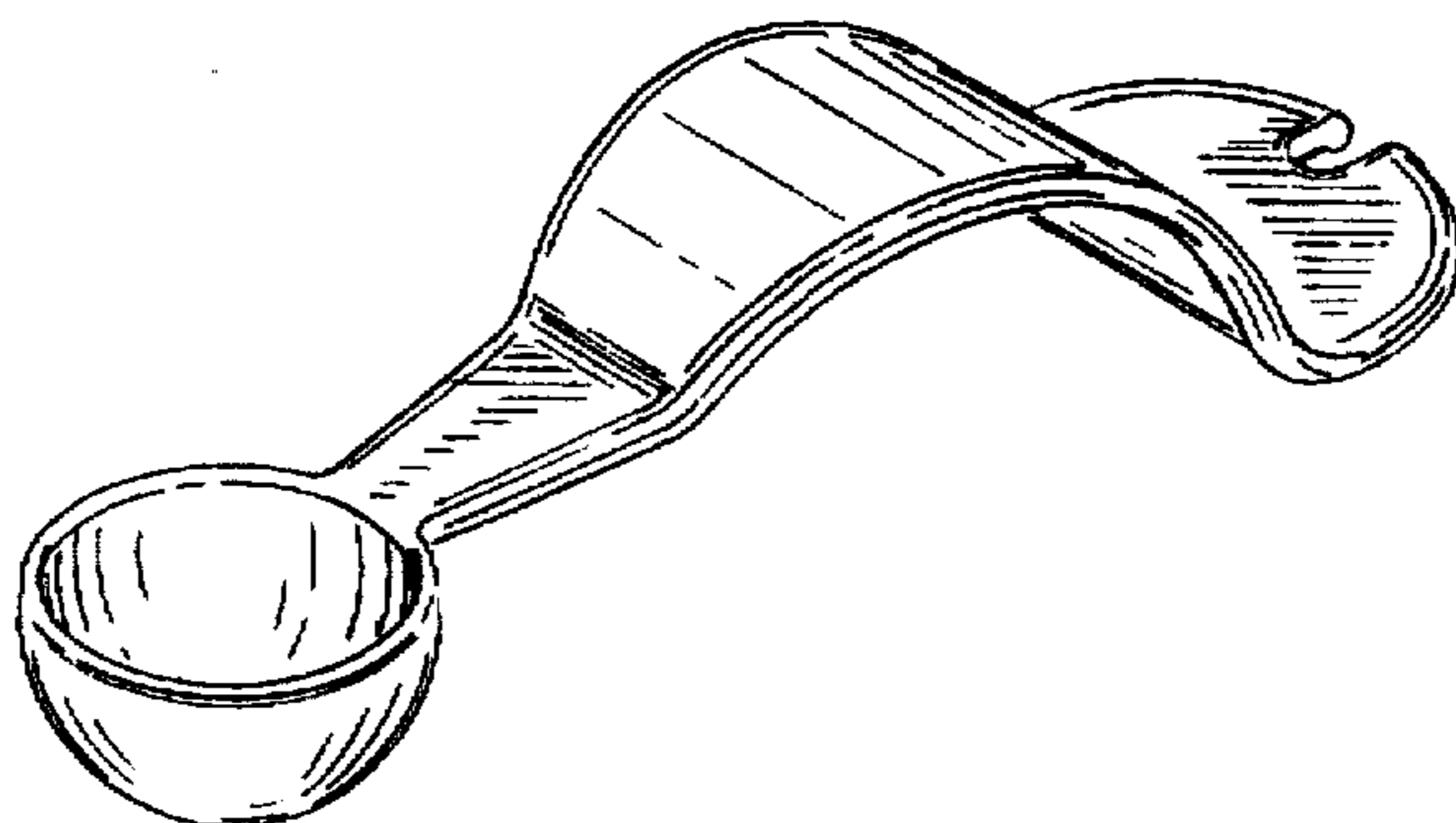
FIG. 1 is a top, side and front perspective view of a measuring spoon showing my new design;
FIG. 2 is a top plan view thereof;
FIG. 3 is a bottom plan view thereof;
FIG. 4 is a right side view thereof;
FIG. 5 is a left side view thereof;
FIG. 6 is a front elevation view thereof;
FIG. 7 is a rear elevation view thereof;
FIG. 8 is a perspective view of a variation thereof with a larger bowl; and,
FIG. 9 is a perspective view of a variation thereof with a smaller bowl.

[56] **References Cited**

U.S. PATENT DOCUMENTS

D. 46,867	1/1915	Hoheisen	D7/693
D. 185,677	7/1959	Matteson	.	
D. 204,788	5/1966	De Mieri	D7/644
D. 342,648	12/1993	Cautereels et al.	.	
837,506	12/1906	Raney	.	
2,995,265	8/1961	Soderberg	.	
3,054,184	9/1962	Wyner et al.	.	

1 Claim, 3 Drawing Sheets



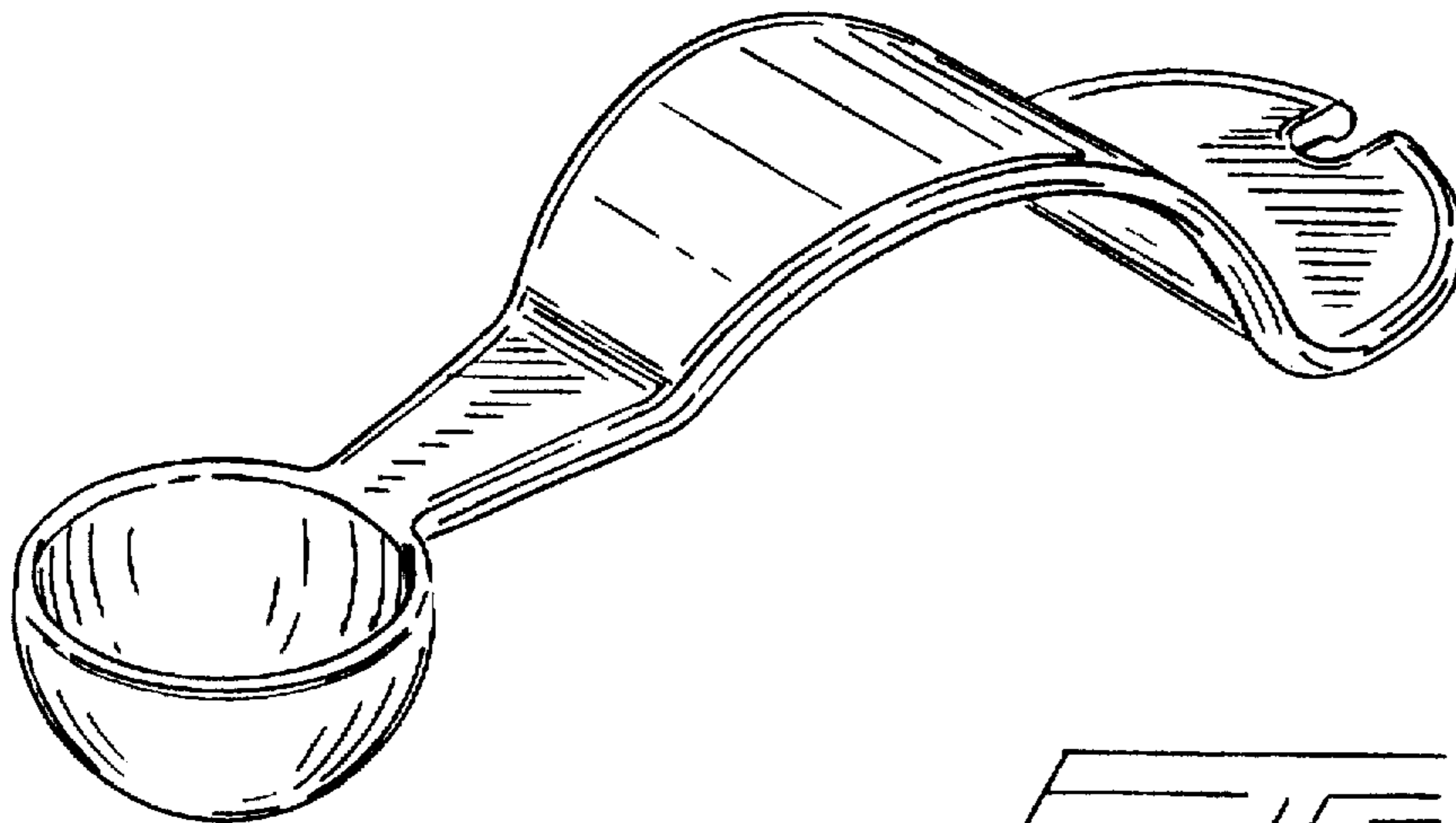


FIG. 1

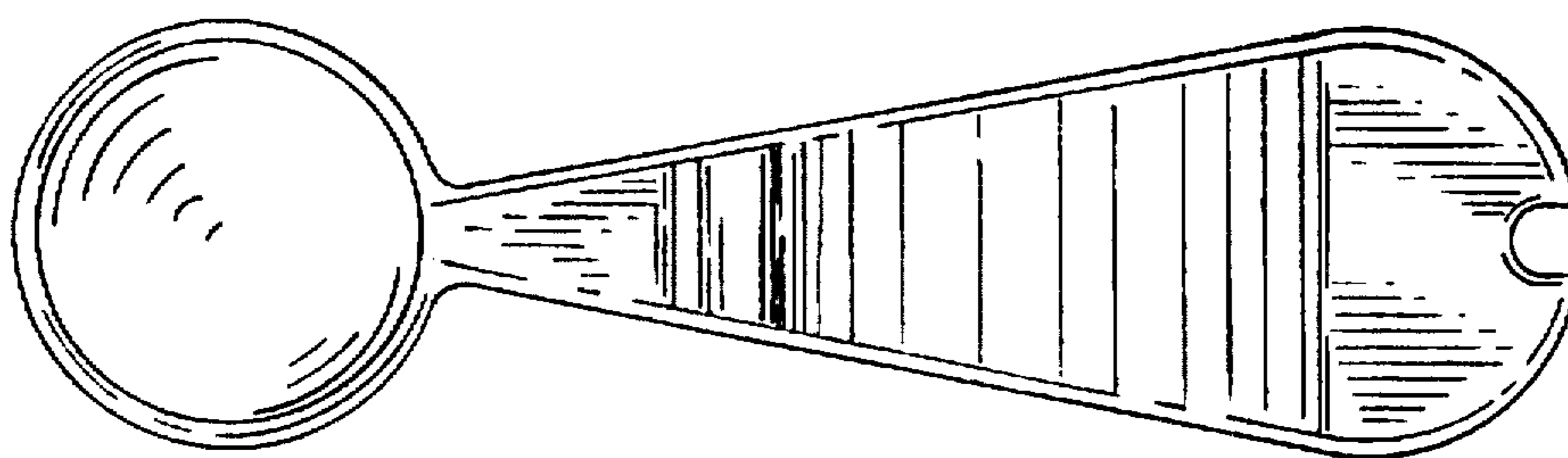


FIG. 2

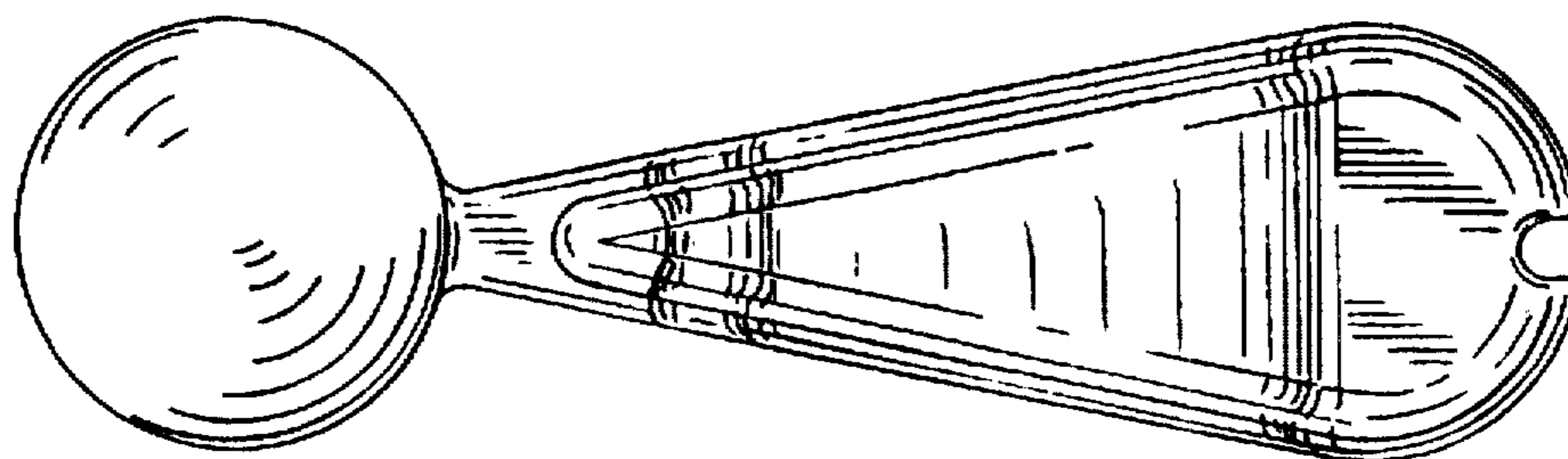


FIG. 3

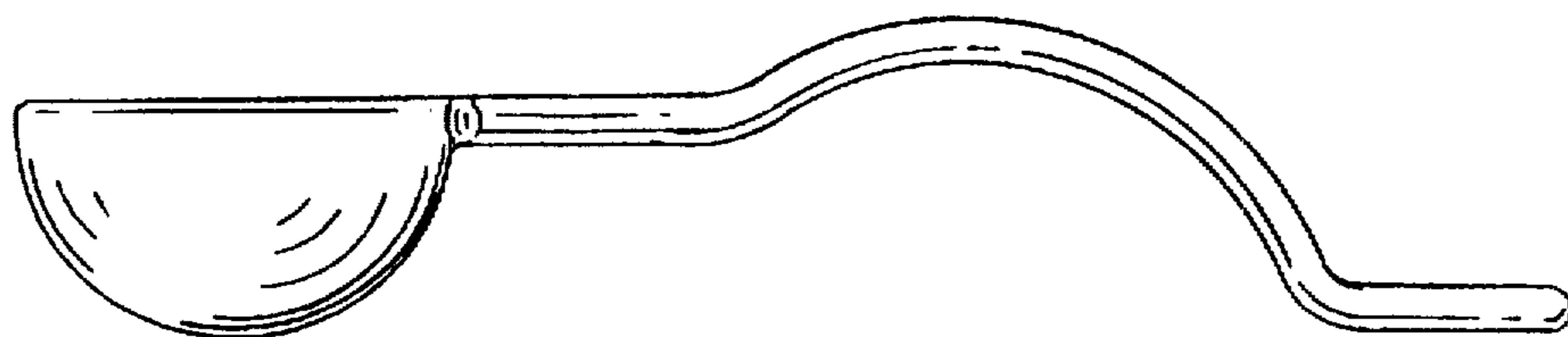


FIG. 4

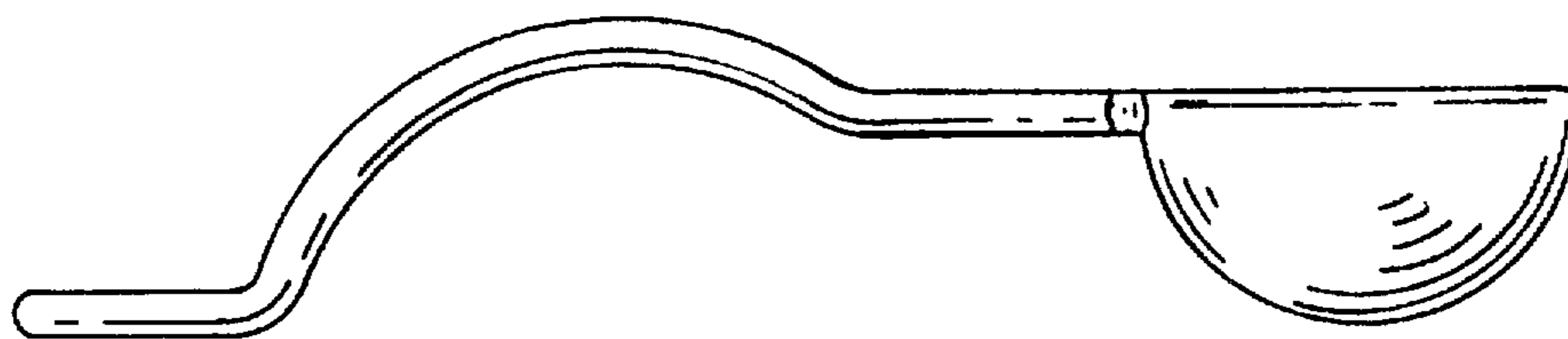


FIG. 5

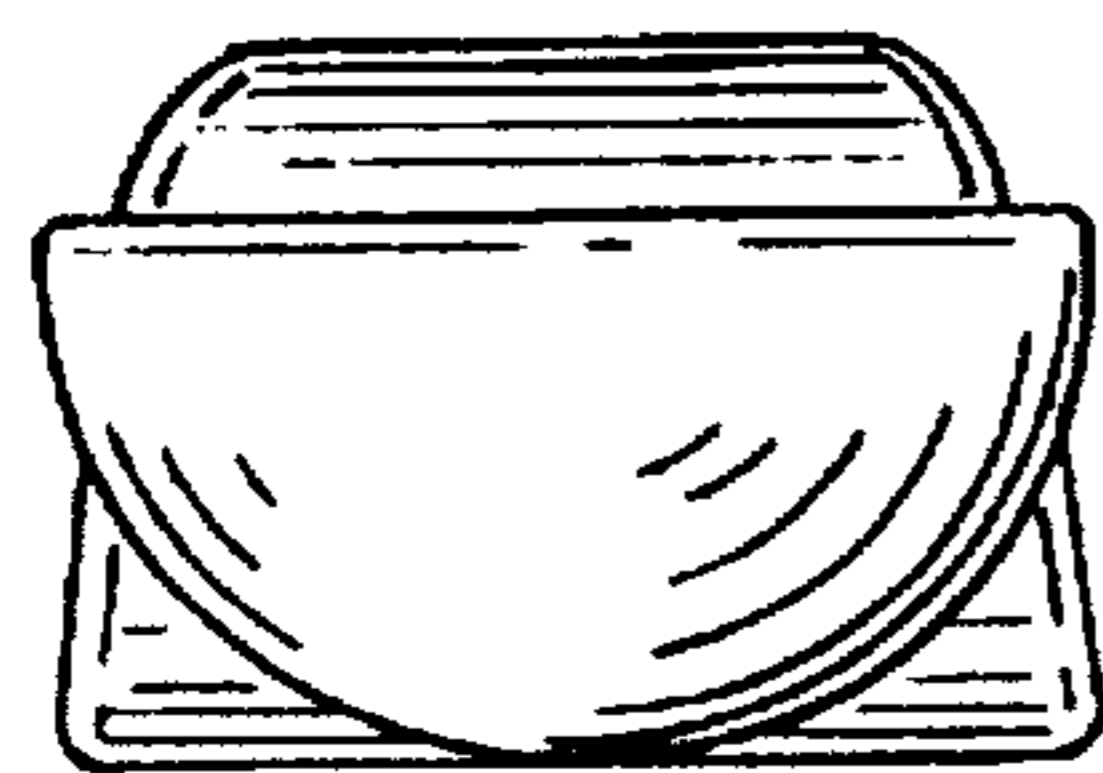


FIG. 6

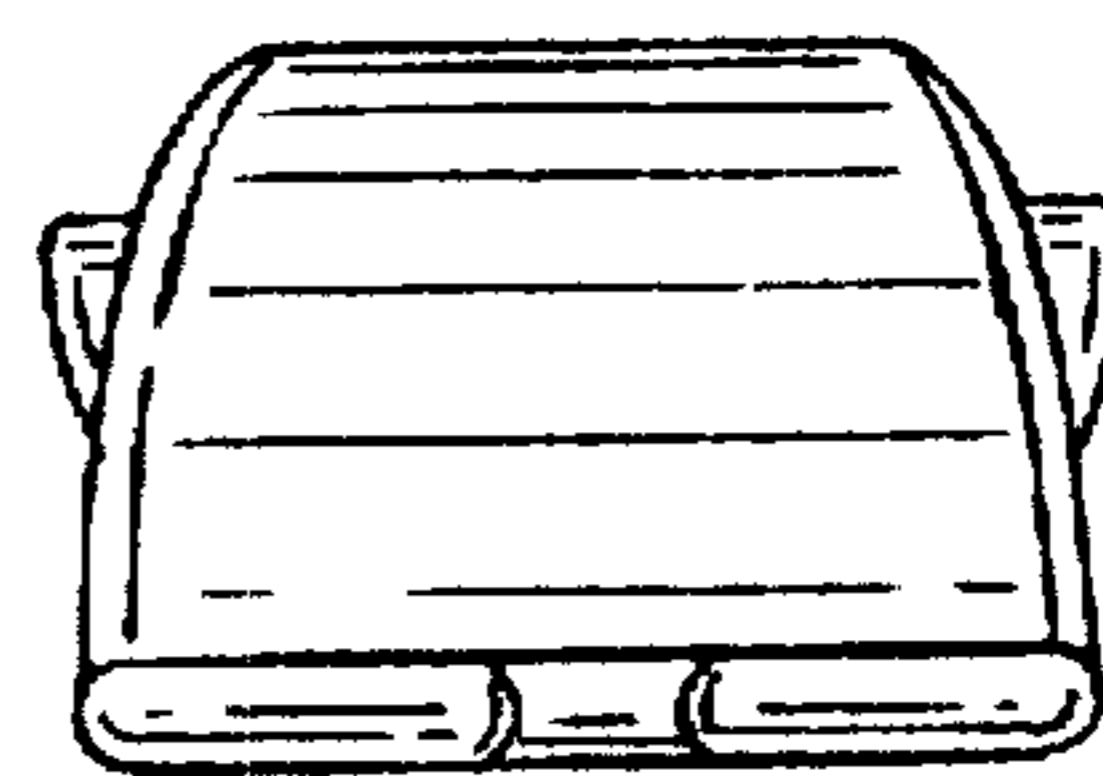


FIG. 7

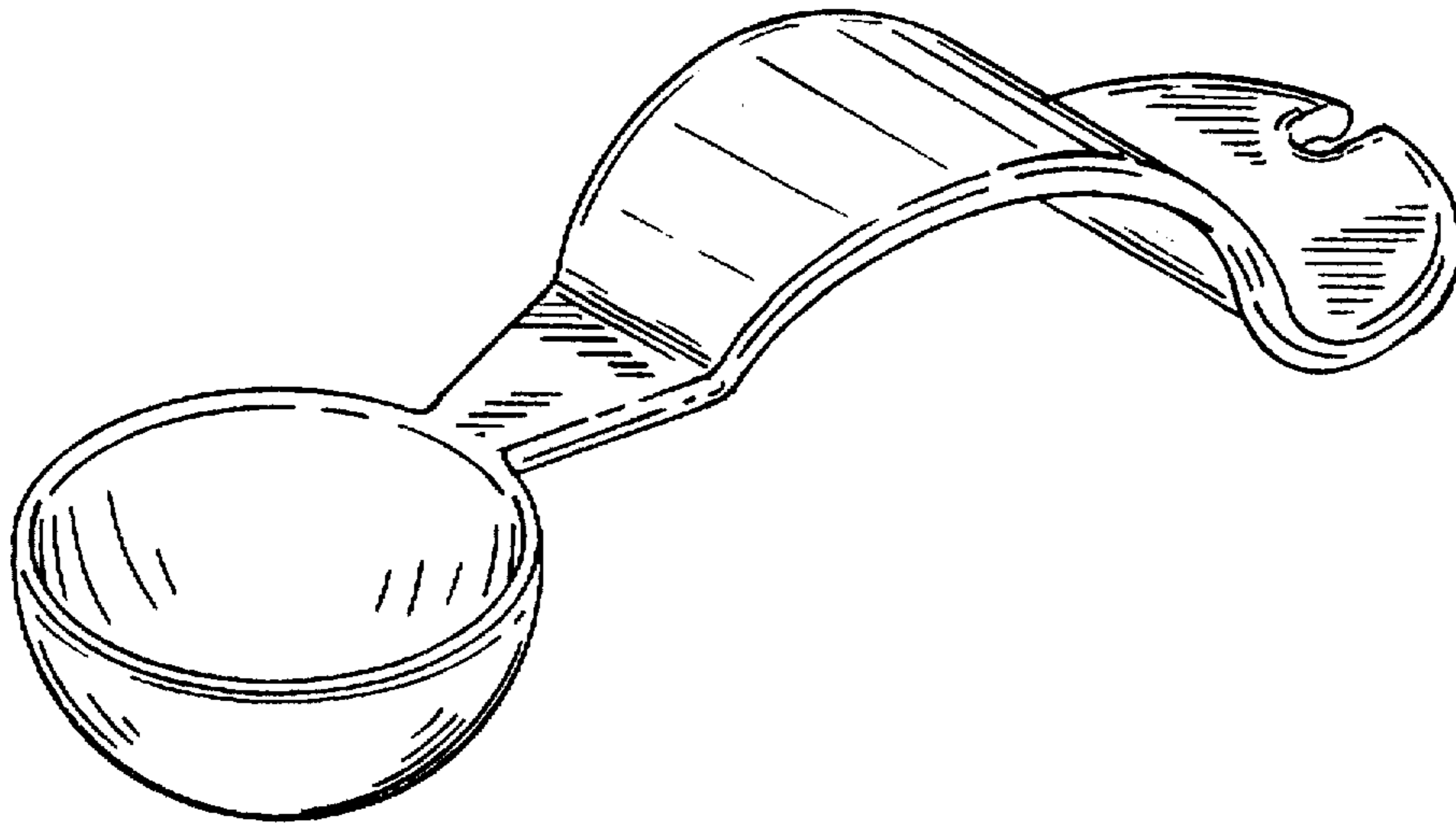


FIG. 8

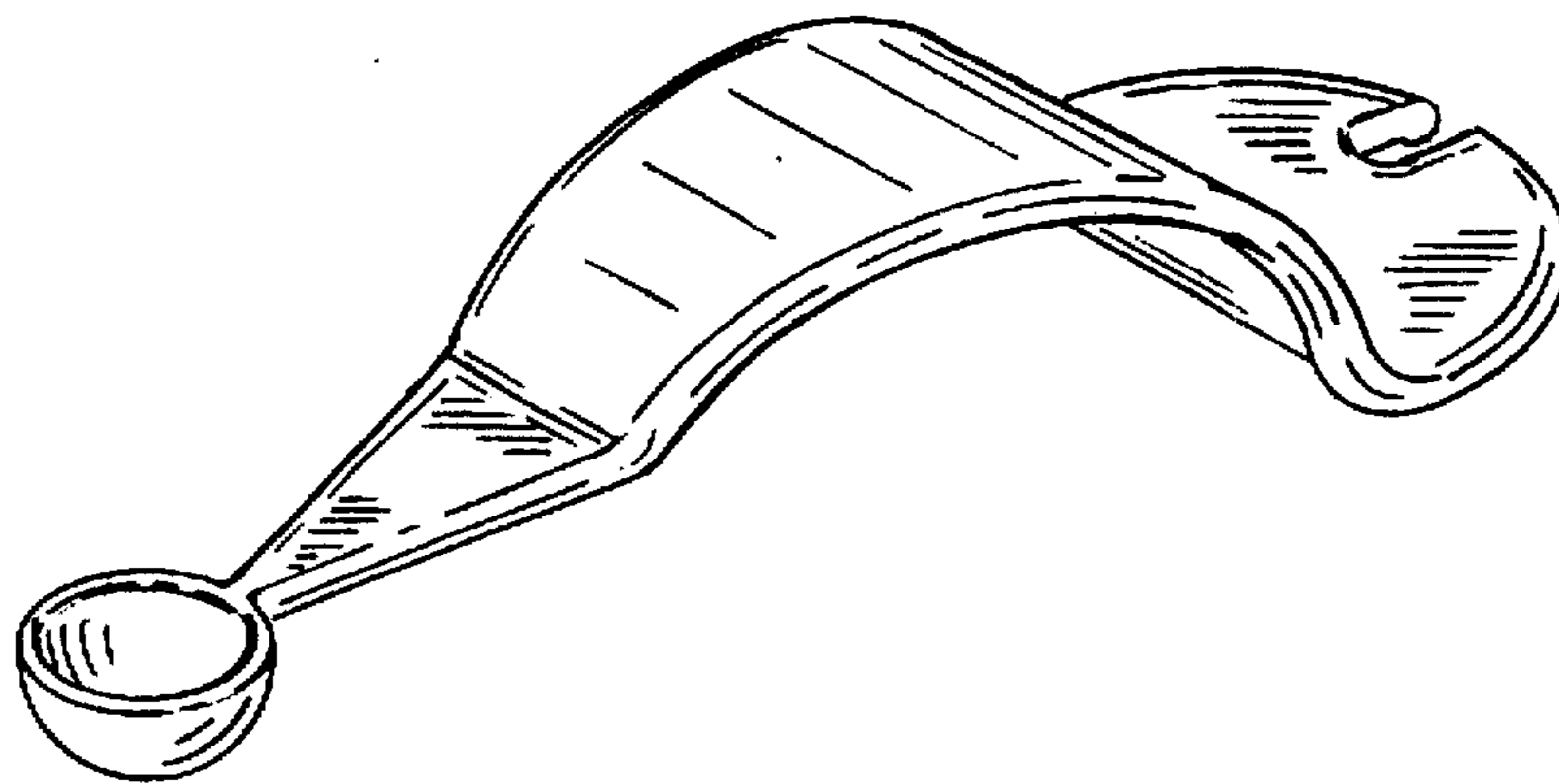


FIG. 9