



US00D394008S

United States Patent [19]

[11] Patent Number: **Des. 394,008**

Foster et al.

[45] Date of Patent: ****May 5, 1998**

[54] TRIGGER SPRAYER HOUSING

5,590,834 1/1997 Foster .

[75] Inventors: **Donald D. Foster**, St. Charles; **Philip L. Nelson**, Ellisville; **Mark Ochs**, High Ridge, all of Mo.

Primary Examiner—James Gandy
Assistant Examiner—Cathron B. Matta
Attorney, Agent, or Firm—Howell & Haferkamp, L.C.

[73] Assignee: **Contico International Inc.**, St. Louis, Mo.

[57] CLAIM

[**] Term: **14 Years**

The ornamental design for a trigger sprayer housing, as shown and described.

[21] Appl. No.: **71,450**

DESCRIPTION

[22] Filed: **May 29, 1997**

[51] LOC (6) Cl. **09-07**

FIG. 1 is a perspective view of a trigger sprayer housing showing our new design;

[52] U.S. Cl. **D9/448**

FIG. 2 is a left side elevation view of a trigger sprayer housing of FIG. 1;

[58] **Field of Search** D9/300, 435, 439, D9/440, 447-450; 200/153.01, 153.11-153.14, 207, 324, 340, 341, 372, 383.1-383.3; 239/333, 571

FIG. 3 is a right side elevation view of a trigger sprayer housing of FIG. 1;

FIG. 4 is a front elevation view of a trigger sprayer housing of FIG. 1;

FIG. 5 is a rear elevation view of a trigger sprayer housing of FIG. 1;

[56] References Cited

U.S. PATENT DOCUMENTS

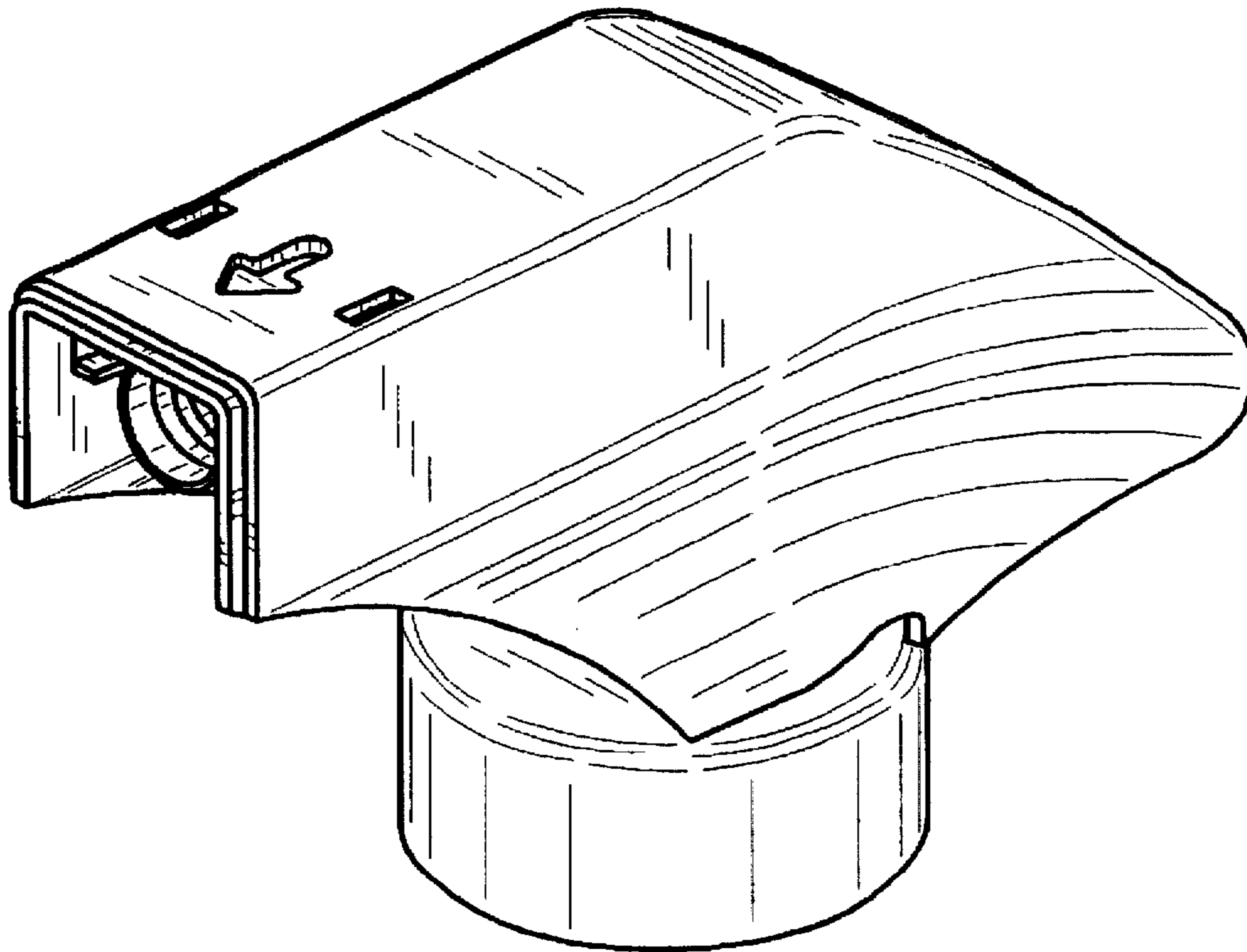
| | | | | |
|------------|---------|-----------------|-------|----------|
| D. 337,945 | 8/1993 | Warner | | D9/448 |
| D. 352,546 | 11/1994 | Silvenis et al. | | D9/448 X |
| D. 354,226 | 1/1995 | Foster et al. | | D9/448 |
| D. 366,692 | 1/1996 | Wadsworth | | D9/448 |
| D. 377,602 | 1/1997 | Wadsworth | | D9/448 |
| D. 381,581 | 7/1997 | Wadsworth | | D9/448 |
| 3,840,157 | 10/1974 | Hellenkamp | . | |
| 4,940,186 | 7/1990 | Tada | . | |

FIG. 6 is a top plan view of a trigger sprayer housing of FIG. 1; and,

FIG. 7 is a bottom plan view of a trigger sprayer housing of FIG. 1.

The bottom and interior of the trigger sprayer housing form no part of the claimed design. The broken lines are for illustrative purposes only and form no part of the claimed design .

1 Claim, 2 Drawing Sheets



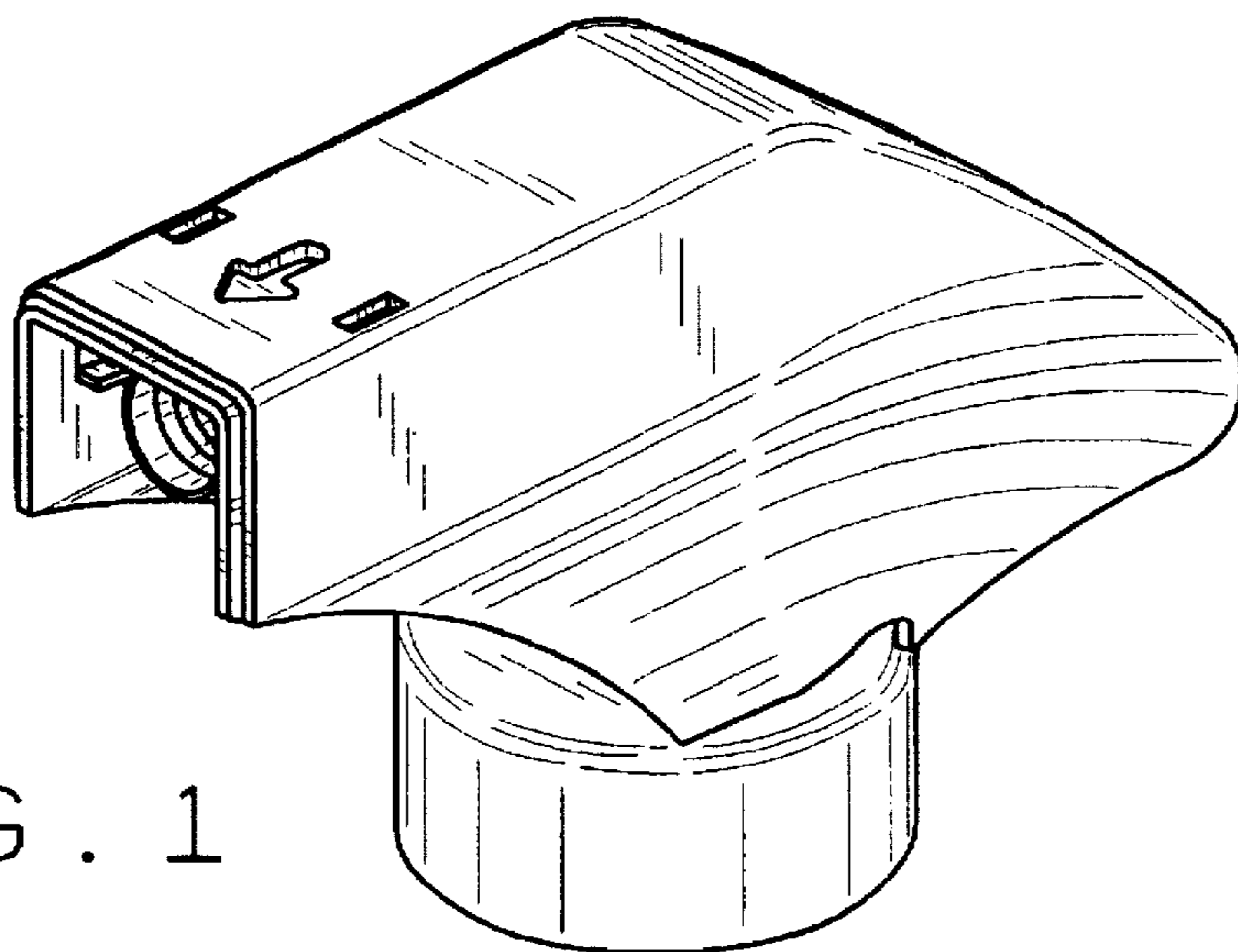


FIG. 1

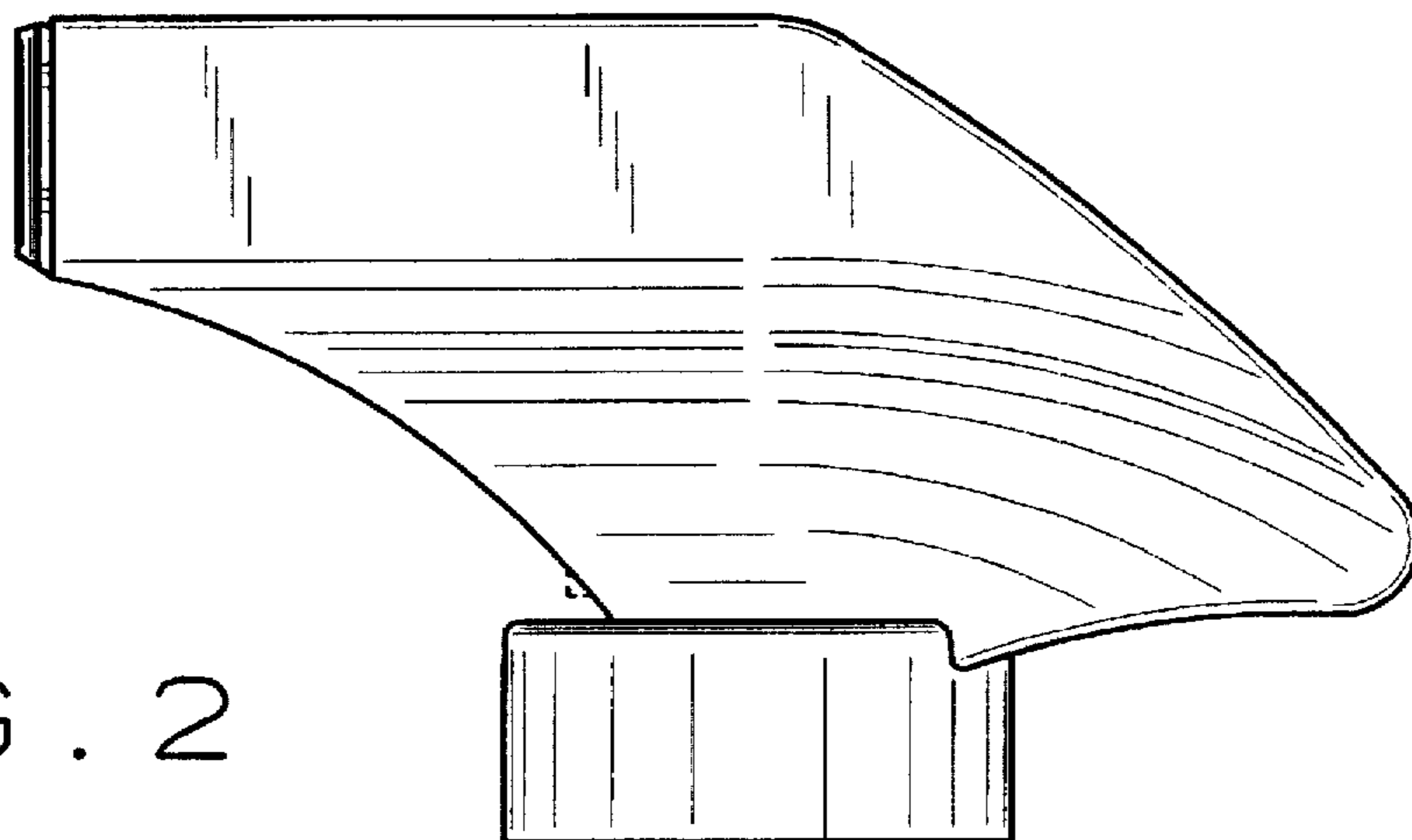


FIG. 2

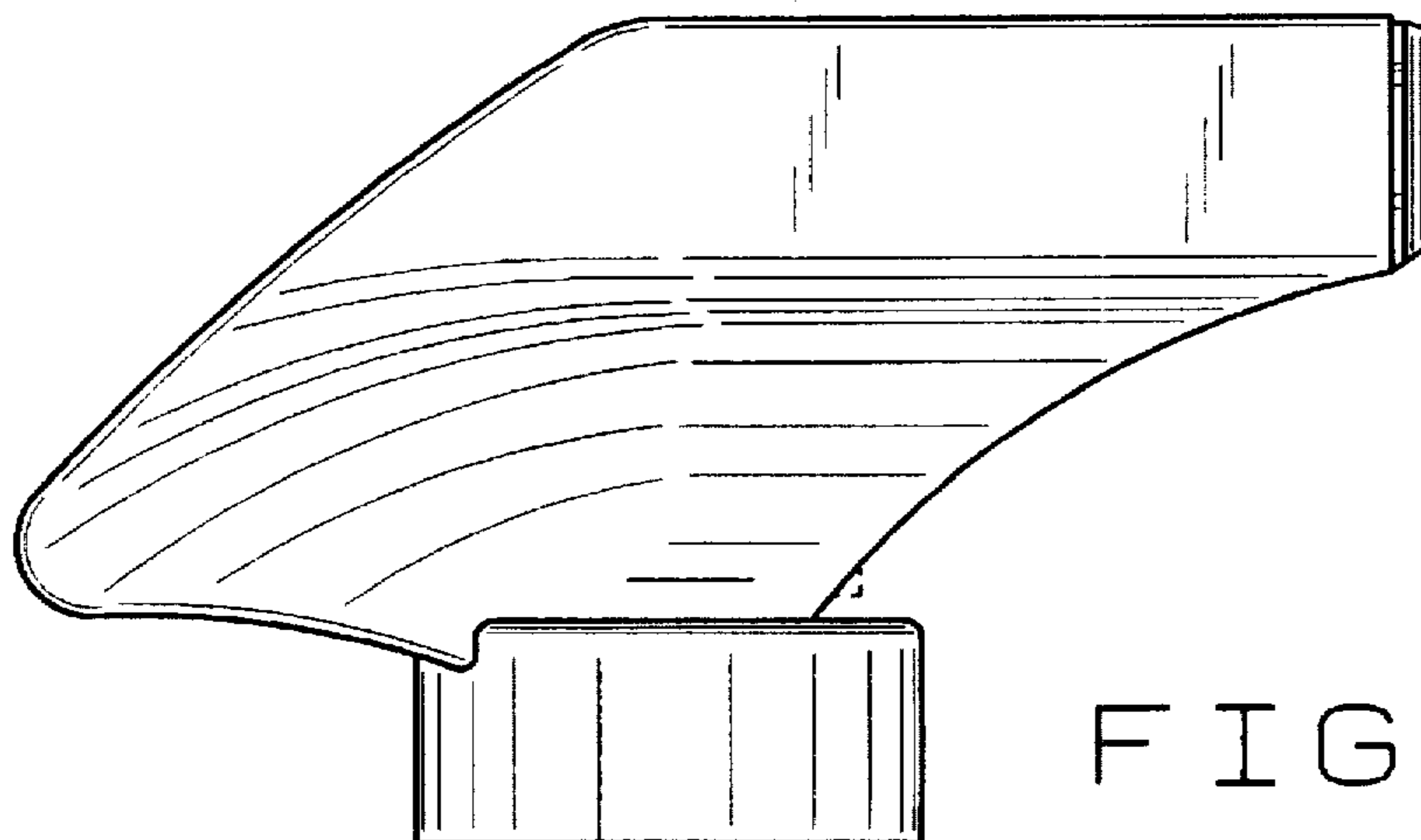


FIG. 3

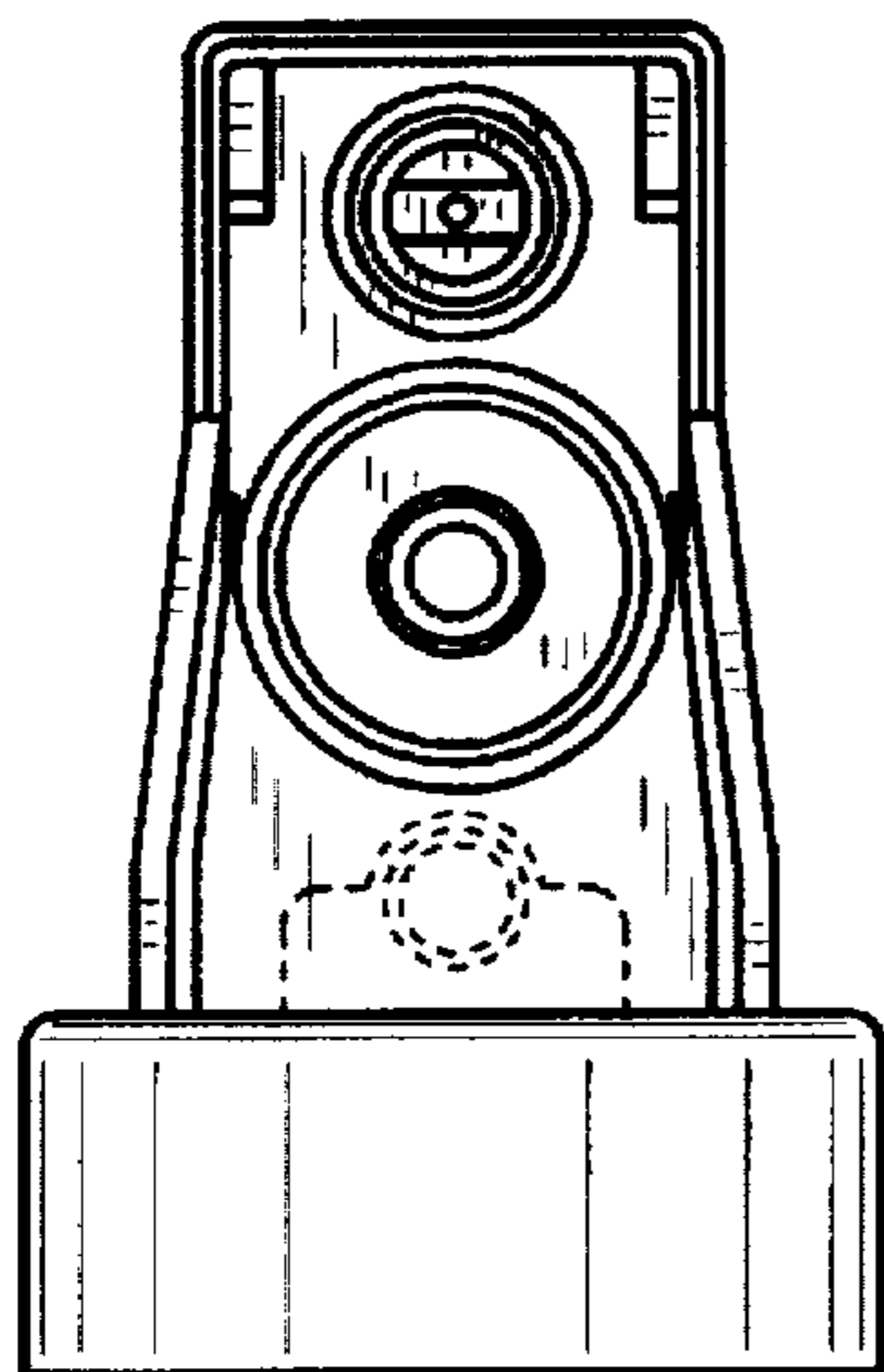


FIG. 4

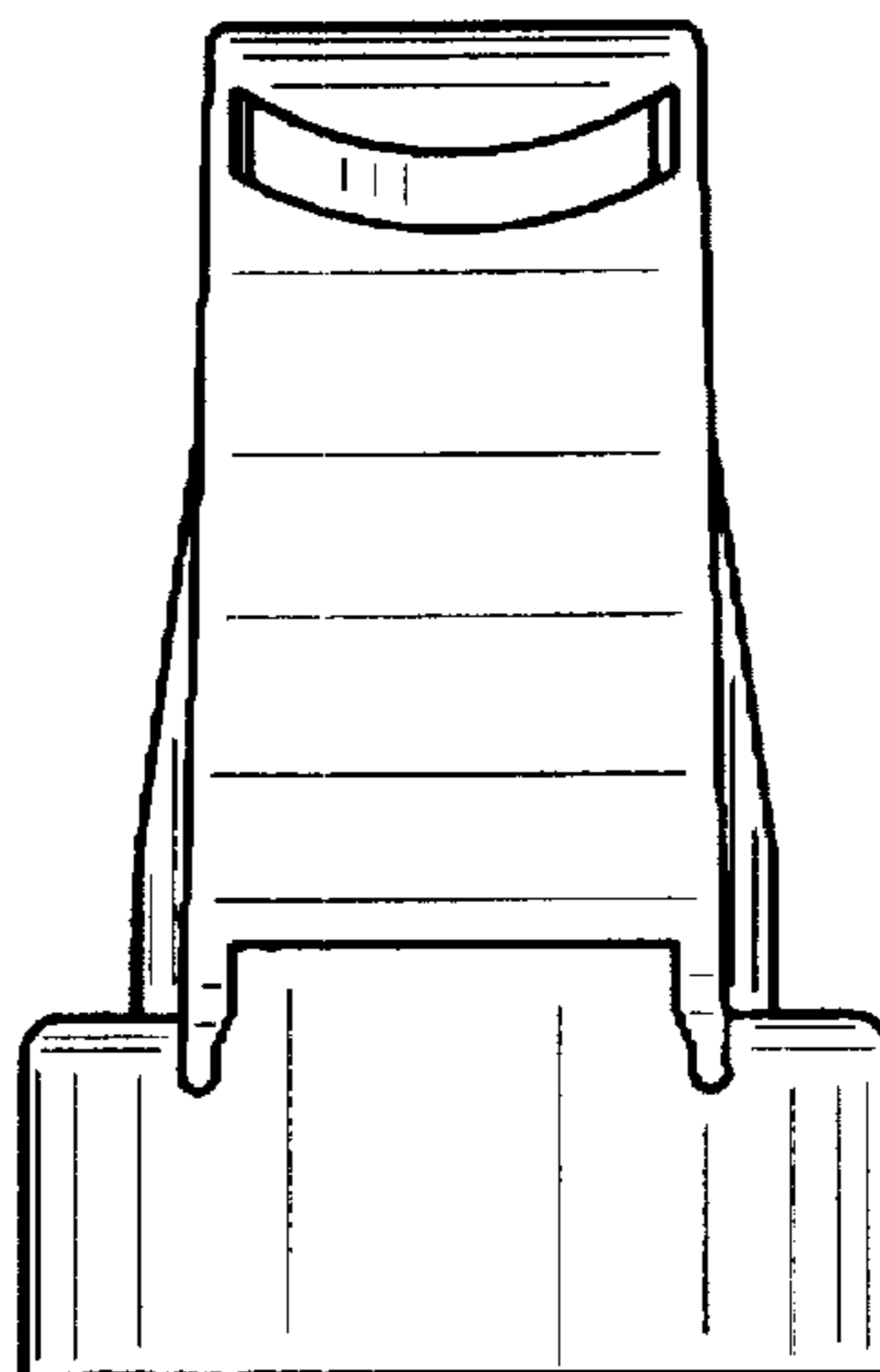


FIG. 5

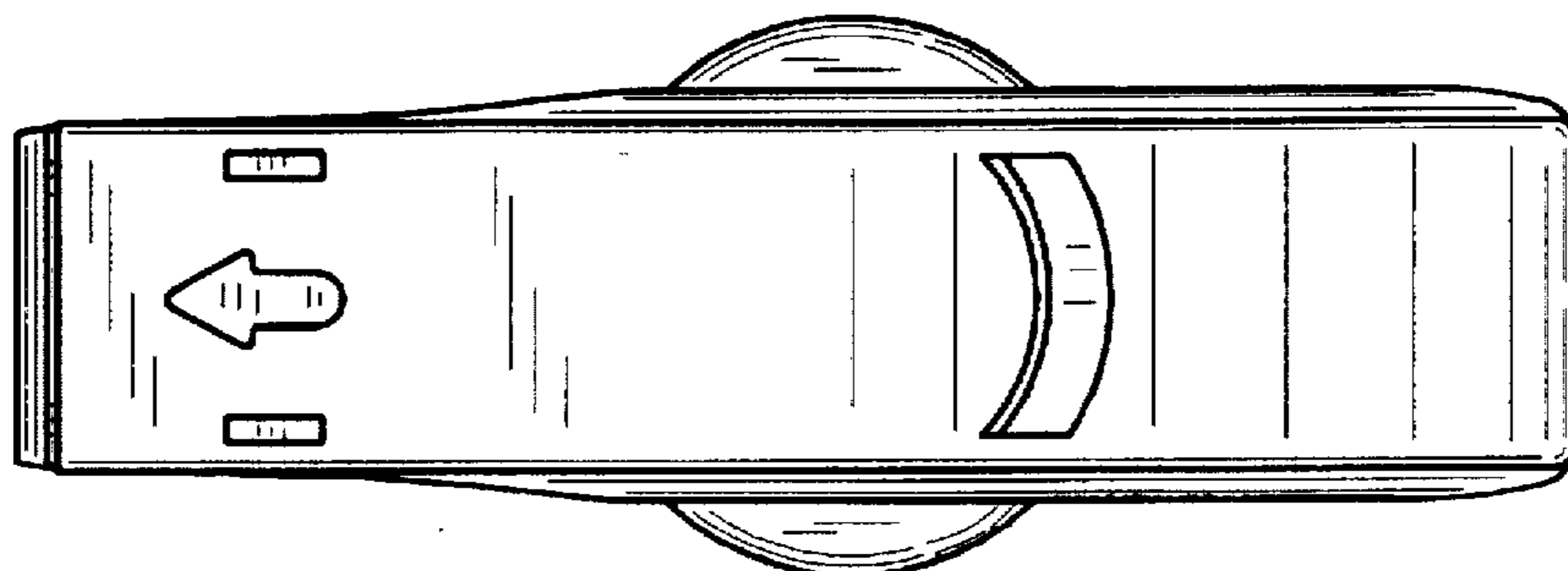


FIG. 6

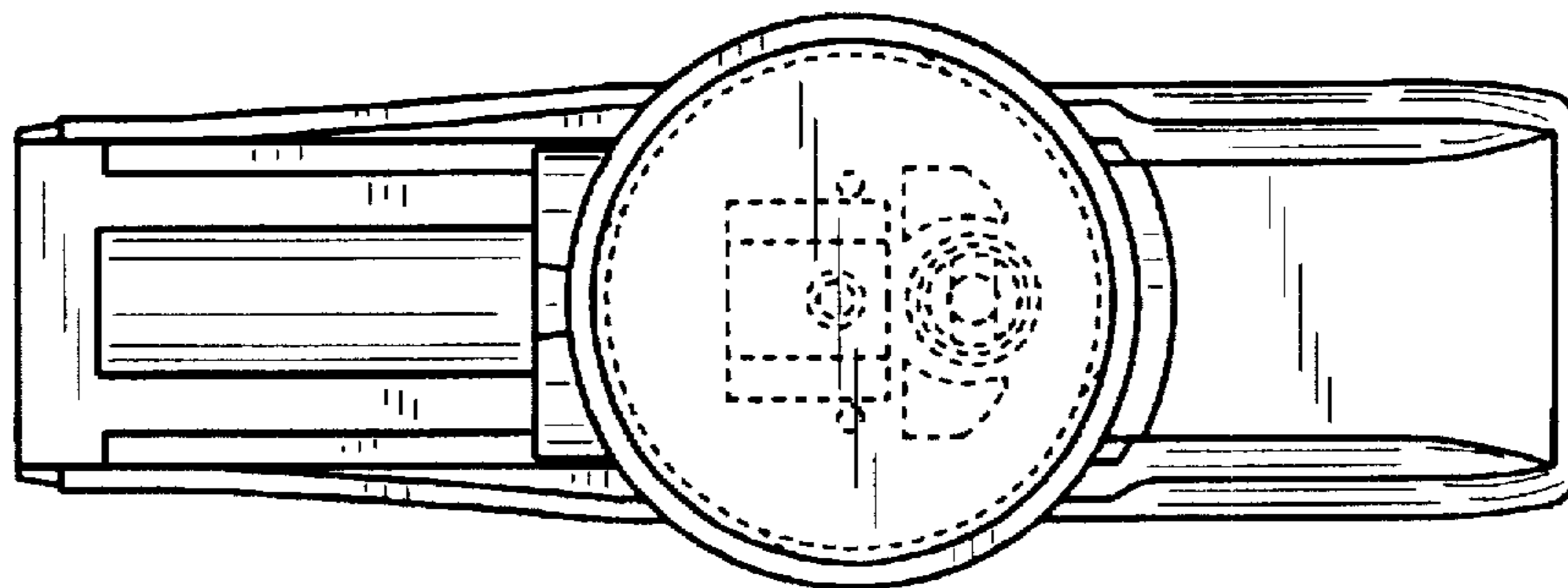


FIG. 7