

US00D394003S

**United States Patent** [19]  
**Tate**

[11] **Patent Number: Des. 394,003**

[45] **Date of Patent: \*\*May 5, 1998**

[54] **GOLF REPAIR TOOL AND BALL MARKER PRESENTATION CASE**

4,687,129 8/1987 Cugley ..... 206/470 X  
4,781,289 11/1988 Perkins ..... 206/461 X  
5,044,495 9/1991 Wyslowsky ..... 206/461 X

[76] **Inventor: John Tate, 11621 Markon Dr., Garden Grove, Calif. 92841**

**OTHER PUBLICATIONS**

[\*\*] **Term: 14 Years**

Packaging, p. 53, Aug. 1986.

[21] **Appl. No.: 74,668**

*Primary Examiner*—Prabhakar G. Deshmukh  
*Attorney, Agent, or Firm*—Charles H. Thomas

[22] **Filed: Aug. 7, 1997**

[57] **CLAIM**

[51] **LOC (6) Cl. .... 09-07**

The ornamental design for a golf repair tool and ball marker presentation case, as shown and described.

[52] **U.S. Cl. .... D9/415**

**DESCRIPTION**

[58] **Field of Search** ..... D9/415, 418, 414, D9/341, 432, 457; 206/461-471, 495, 769-773, 775-778, 315.1, 315.9, 806; 224/919

FIG. 1 is a perspective view of a golf repair tool and ball marker presentation case showing my new design;  
FIG. 2 is a front elevational view thereof;  
FIG. 3 is a right-side elevational view thereof, it being understood that the left-side elevational view is the mirror image thereof;  
FIG. 4 is a rear elevational view thereof;  
FIG. 5 is a top plan view thereof; and,  
FIG. 6 is a bottom plan view thereof.

[56] **References Cited**

**U.S. PATENT DOCUMENTS**

D. 305,733	1/1990	Ferris	.....	D9/415
D. 321,480	11/1991	Benner	.....	D9/415
D. 345,909	4/1994	Winston	.....	D9/415
D. 346,114	4/1994	Winston	.....	D9/415
D. 363,021	10/1995	Lombard	.....	D9/415
D. 363,217	10/1995	Flynn	.....	D9/415

**1 Claim, 5 Drawing Sheets**

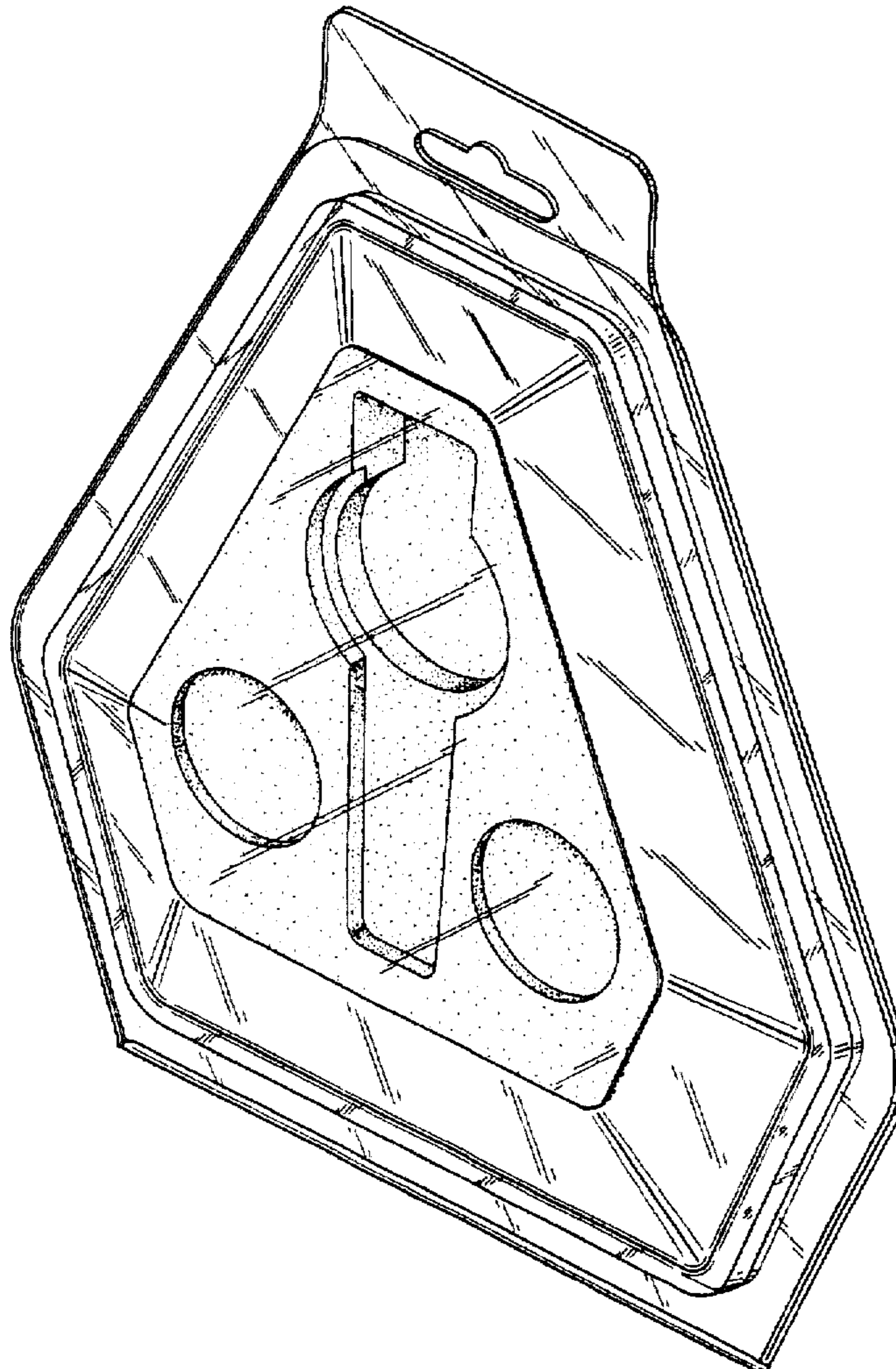


FIG. 1

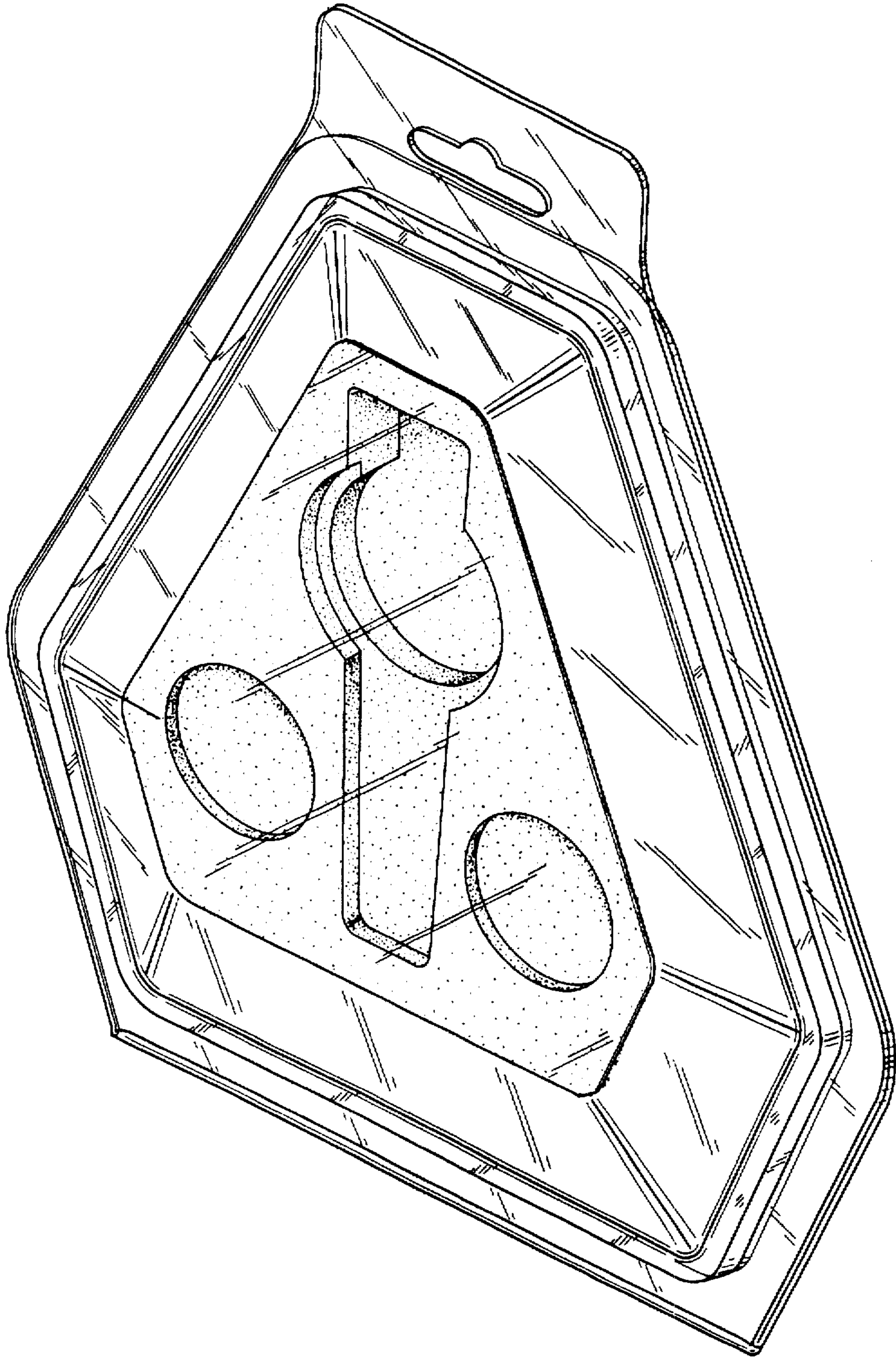




FIG. 2

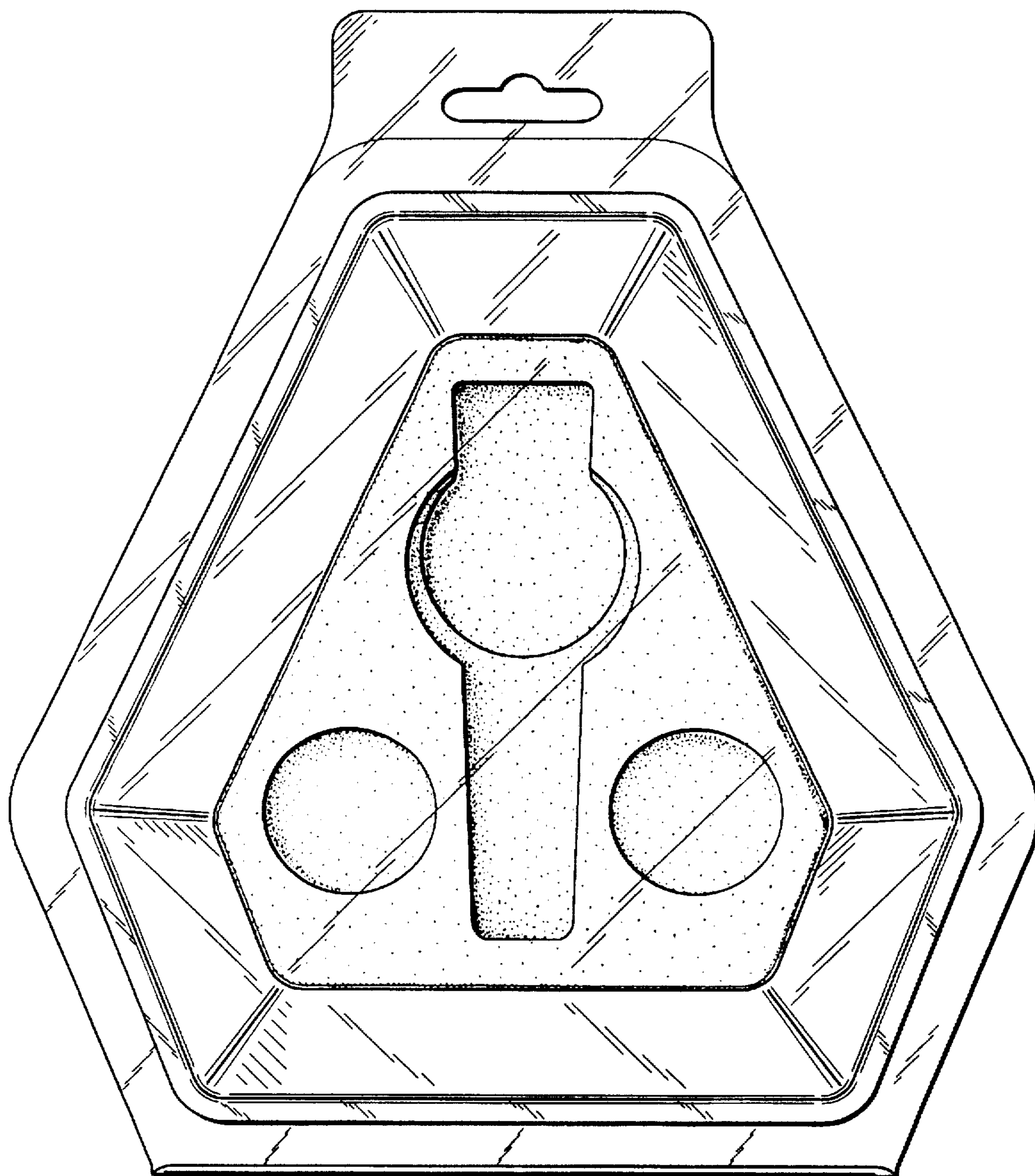


FIG. 3



FIG. 4

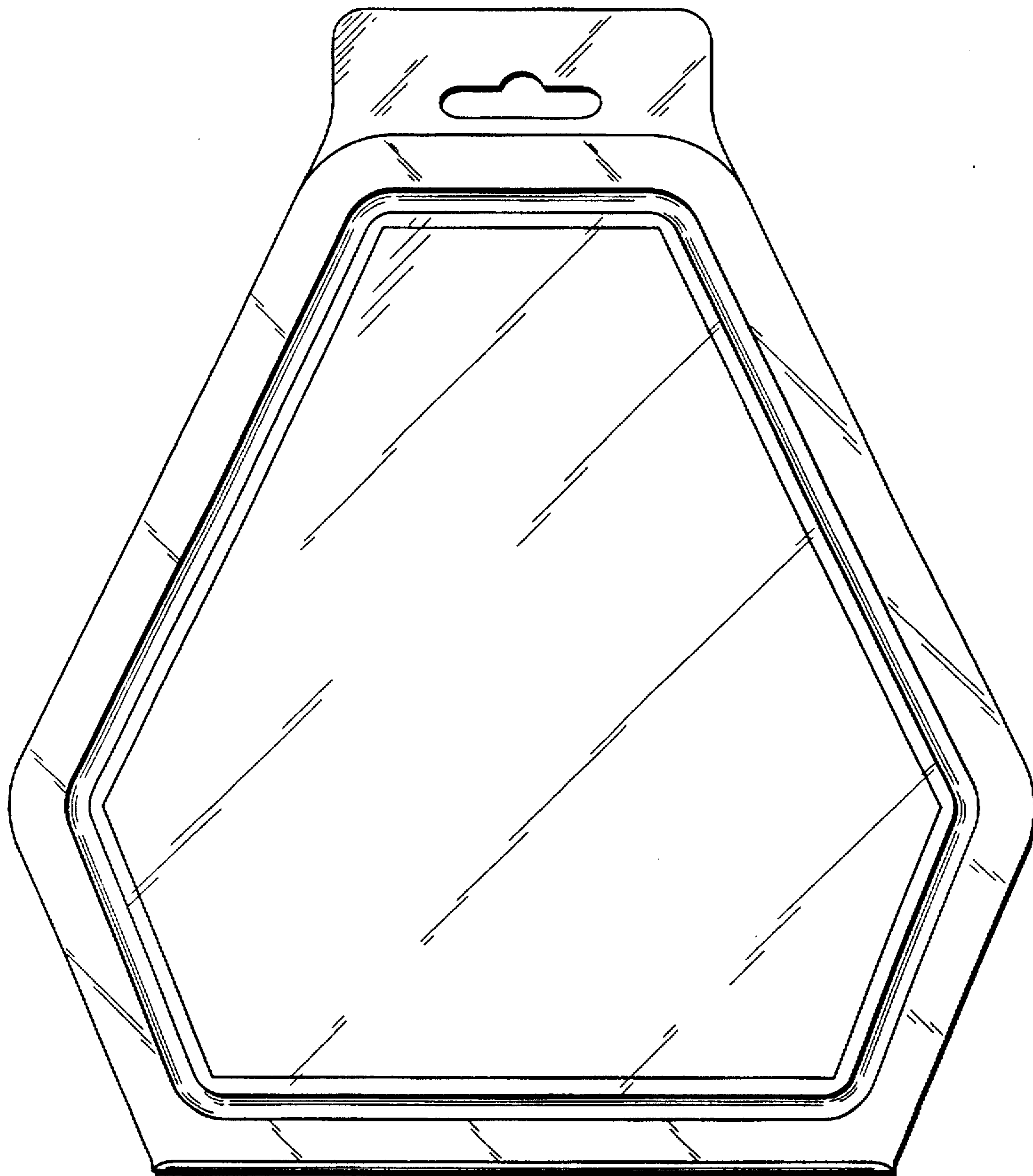


FIG. 5

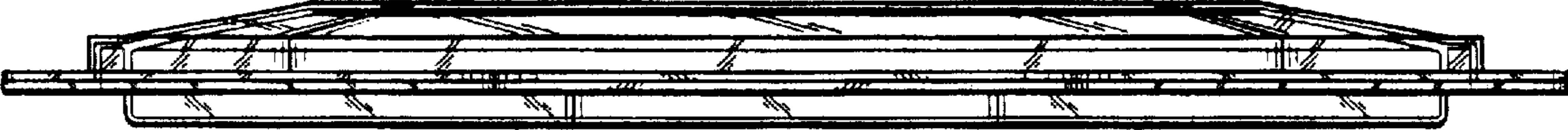


FIG. 6

