



US00D394001S

# United States Patent [19]

Vilos

[11] Patent Number: **Des. 394,001**

[45] Date of Patent: **\*\*May 5, 1998**

[54] **FOOD CONTAINER**

73362 11/1993 Canada .

[75] Inventor: **Sophie Vilos, London, Canada**

*Primary Examiner*—Ted Shooman

*Assistant Examiner*—Nanda Bondade

[73] Assignee: **Landlove Industries, Ltd., London, Canada**

*Attorney, Agent, or Firm*—Rudnick & Wolfe

[\*\*] Term: **14 Years**

### [57] CLAIM

The ornamental design for a food container, as shown and described.

[21] Appl. No.: **55,623**

### DESCRIPTION

[22] Filed: **Jun. 10, 1996**

### [30] Foreign Application Priority Data

Dec. 8, 1995 [CA] Canada ..... 1995-2802

[51] LOC (6) Cl. .... **09-03**

[52] U.S. Cl. .... **D9/347; D9/424**

[58] Field of Search ..... D7/550, 553, 555; D9/341, 345, 347, 424, 425, 430, 431, 456; 206/557, 561, 564; 220/500, 555, 657, 659; 229/904, 906

FIG. 1 is a bottom perspective view of a food container showing my new design, shown without the foil lid for clarity of illustration;

FIG. 2 is a top plan view thereof;

FIG. 3 is a rear elevational view thereof;

FIG. 4 is a left side elevational view thereof;

FIG. 5 is a bottom perspective view of a food container showing an alternative embodiment of my new design;

FIG. 6 is a left side elevational view of FIG. 5;

FIG. 7 is a rear elevational view of FIG. 5;

FIG. 8 is a top plan of FIG. 5;

FIG. 9 is a right side elevational view of FIG. 5;

FIG. 10 is a front elevational view of FIG. 5; and,

FIG. 11 is a top plan view of FIGS. 1 and 5 shown with a foil lid in a fully closed position.

The undisclosed front and right side views of the first embodiment of the container are identical to the respective views of the second embodiment of the container.

The broken lines shown on FIGS. 1, 2 and 8 represent tear lines.

### [56] References Cited

#### U.S. PATENT DOCUMENTS

D. 305,192 12/1989 Van Erkel ..... D7/555

D. 351,997 11/1994 Finnah ..... D9/347

D. 360,111 7/1995 Kearney ..... D9/347 X

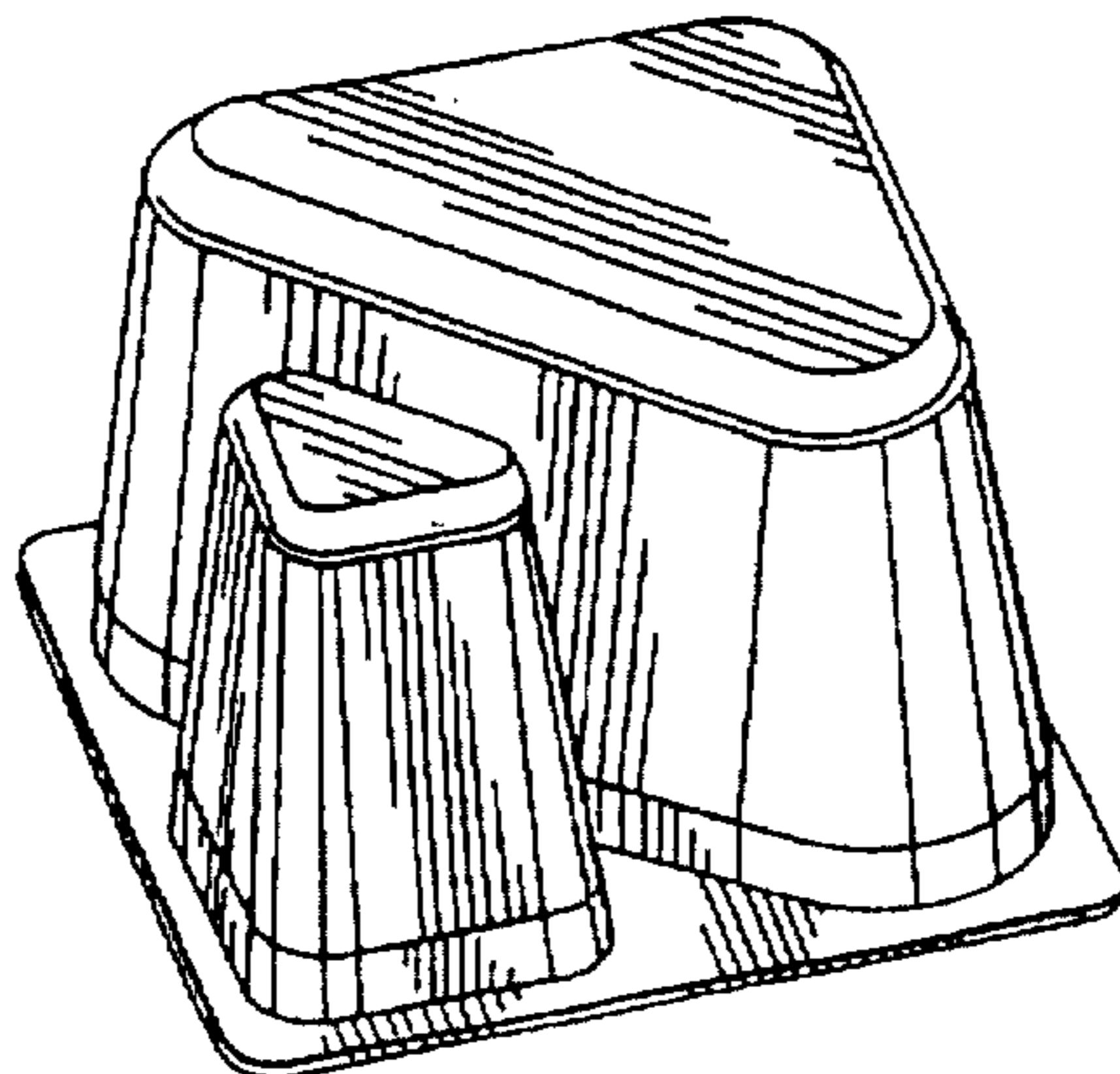
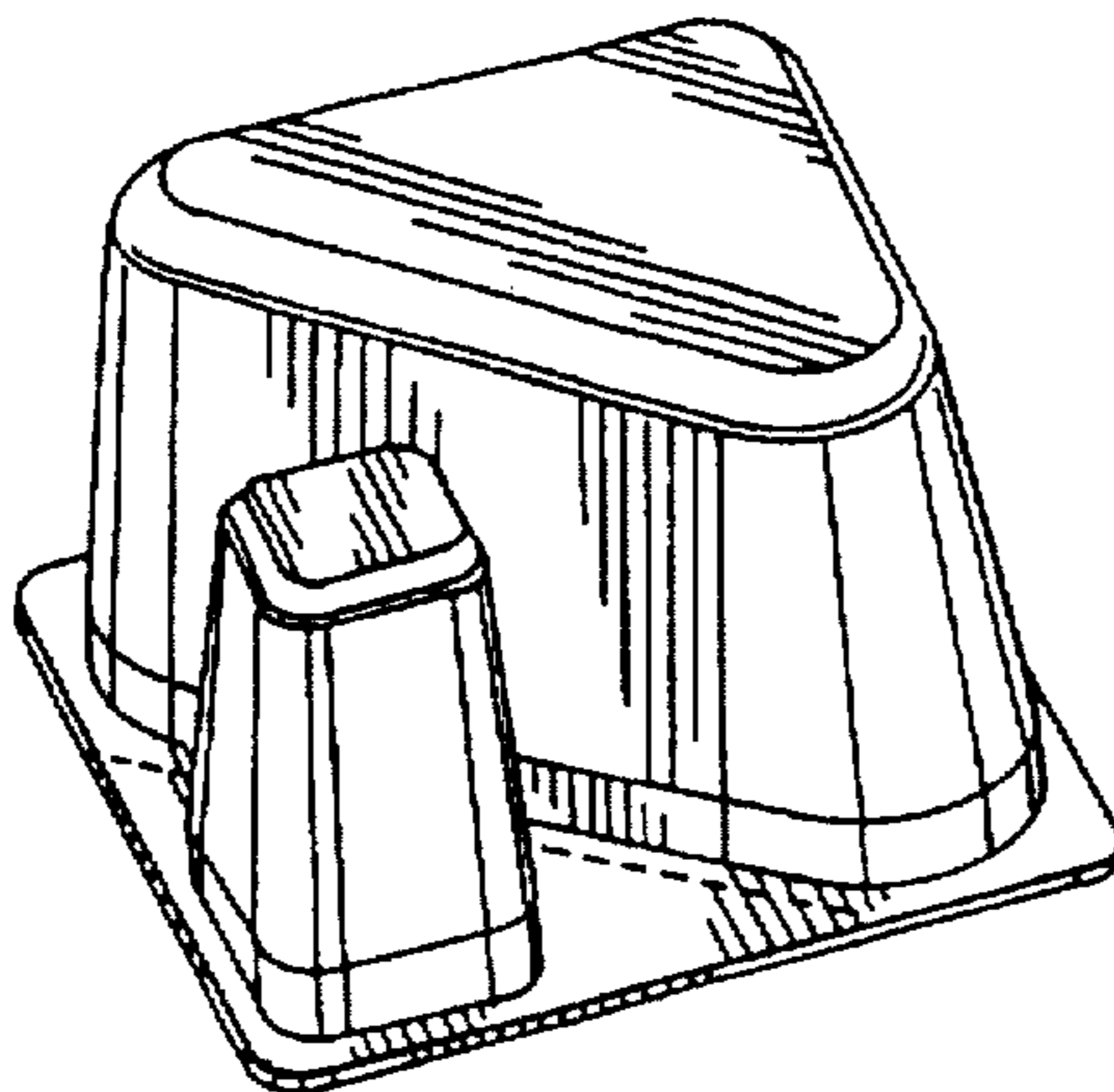
4,705,173 11/1987 Forbes, Jr. .... 229/904 X

#### FOREIGN PATENT DOCUMENTS

58800 6/1987 Canada .

64717 11/1989 Canada .

**1 Claim, 2 Drawing Sheets**



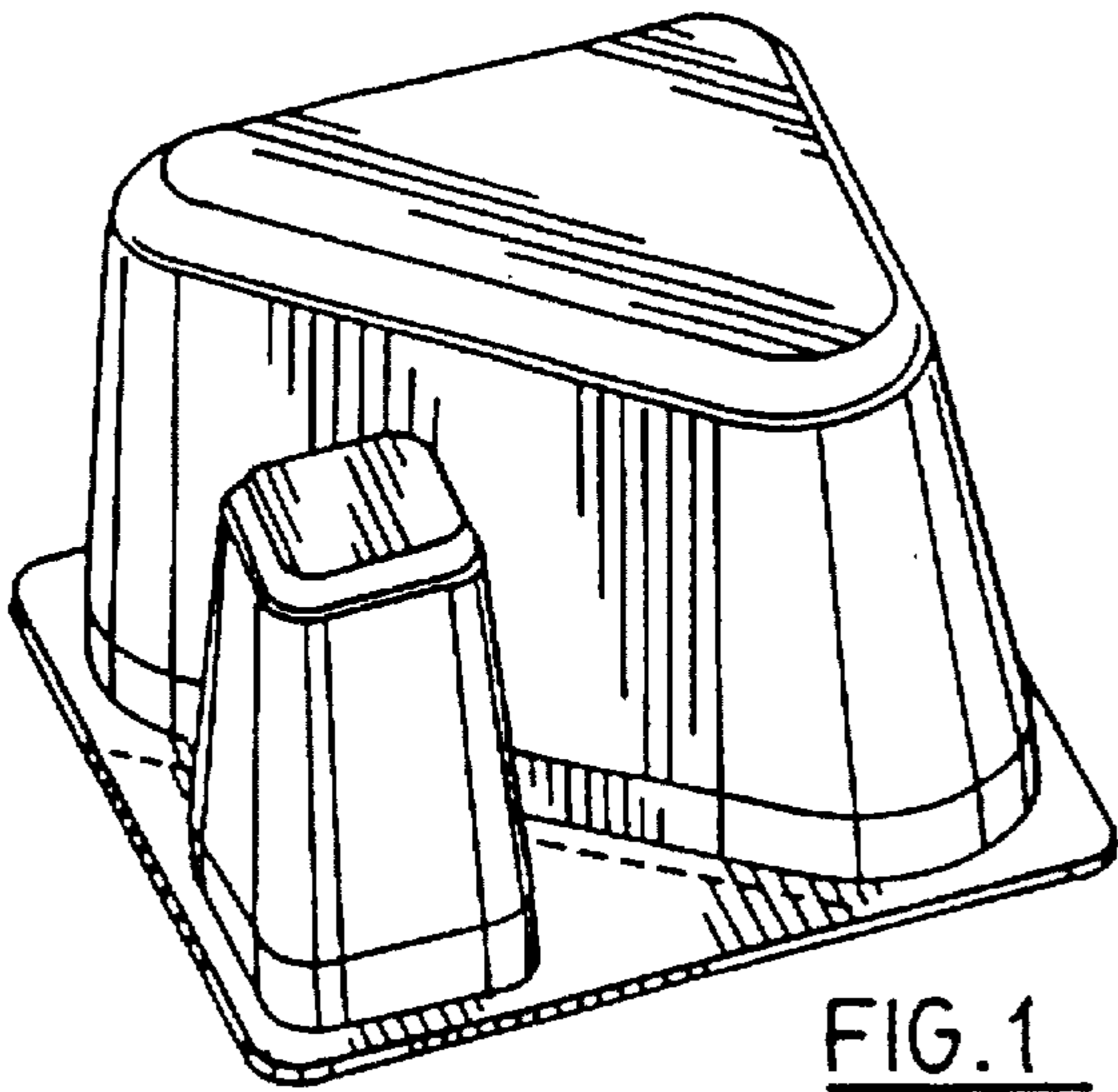


FIG. 1

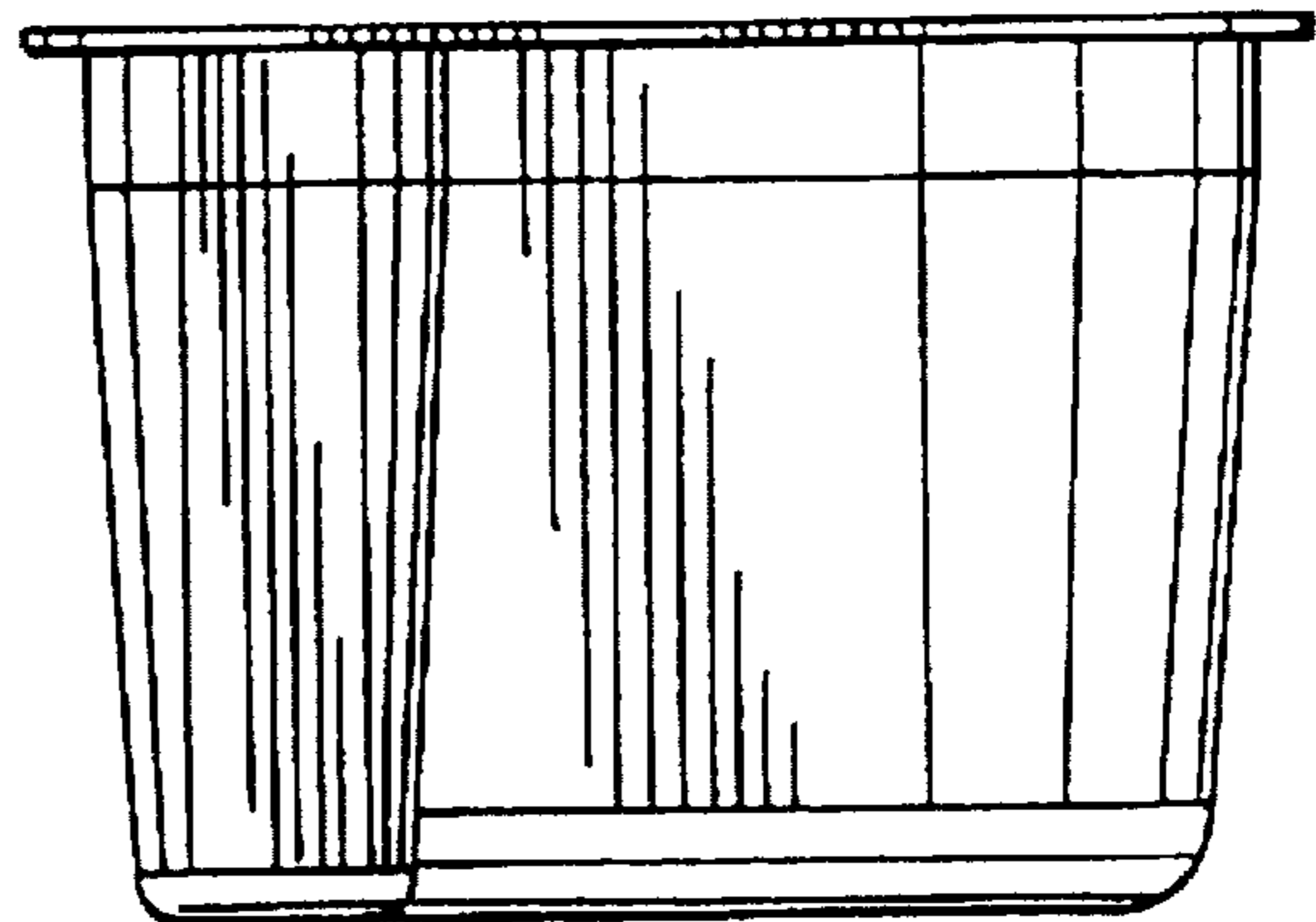


FIG. 3

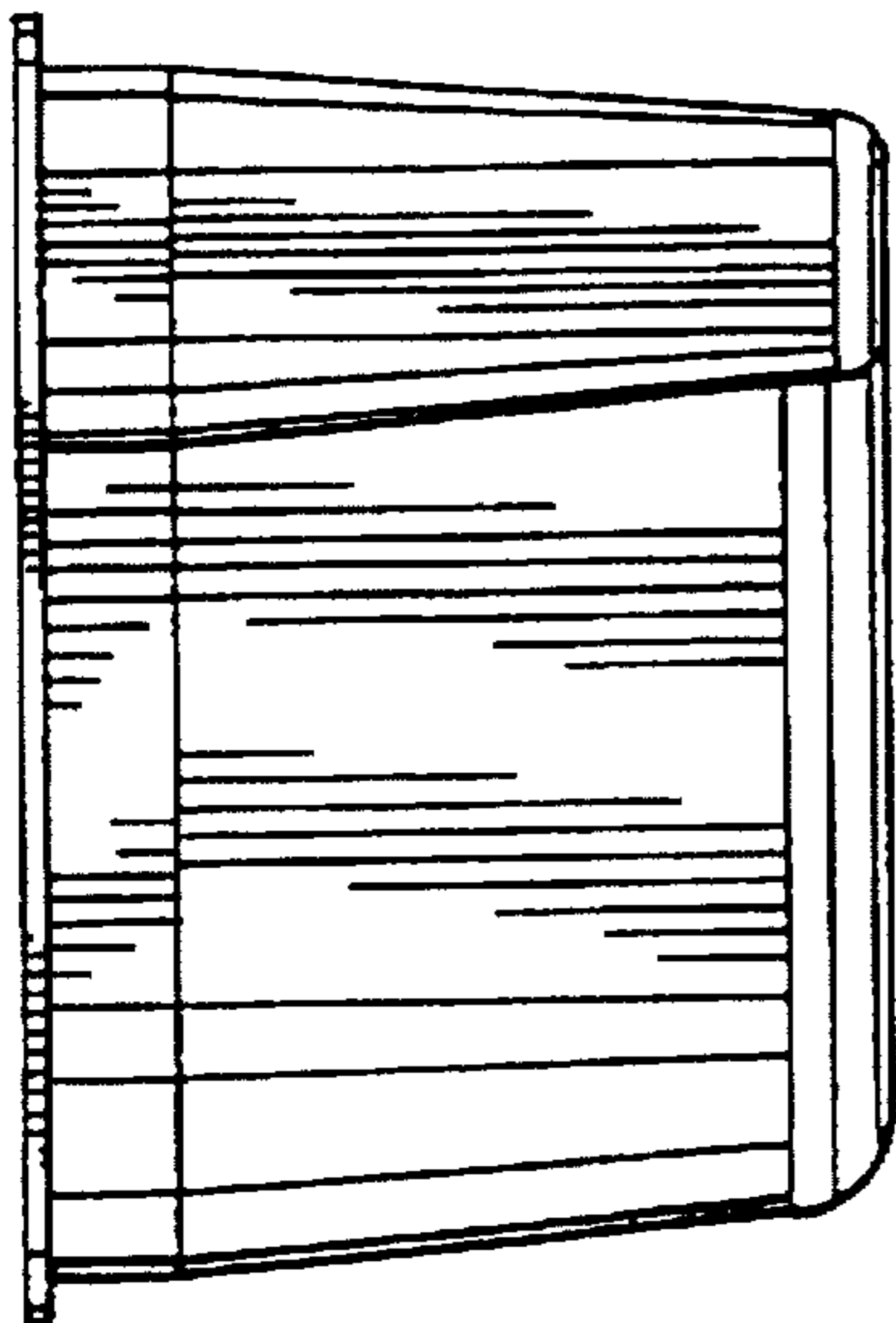


FIG. 4

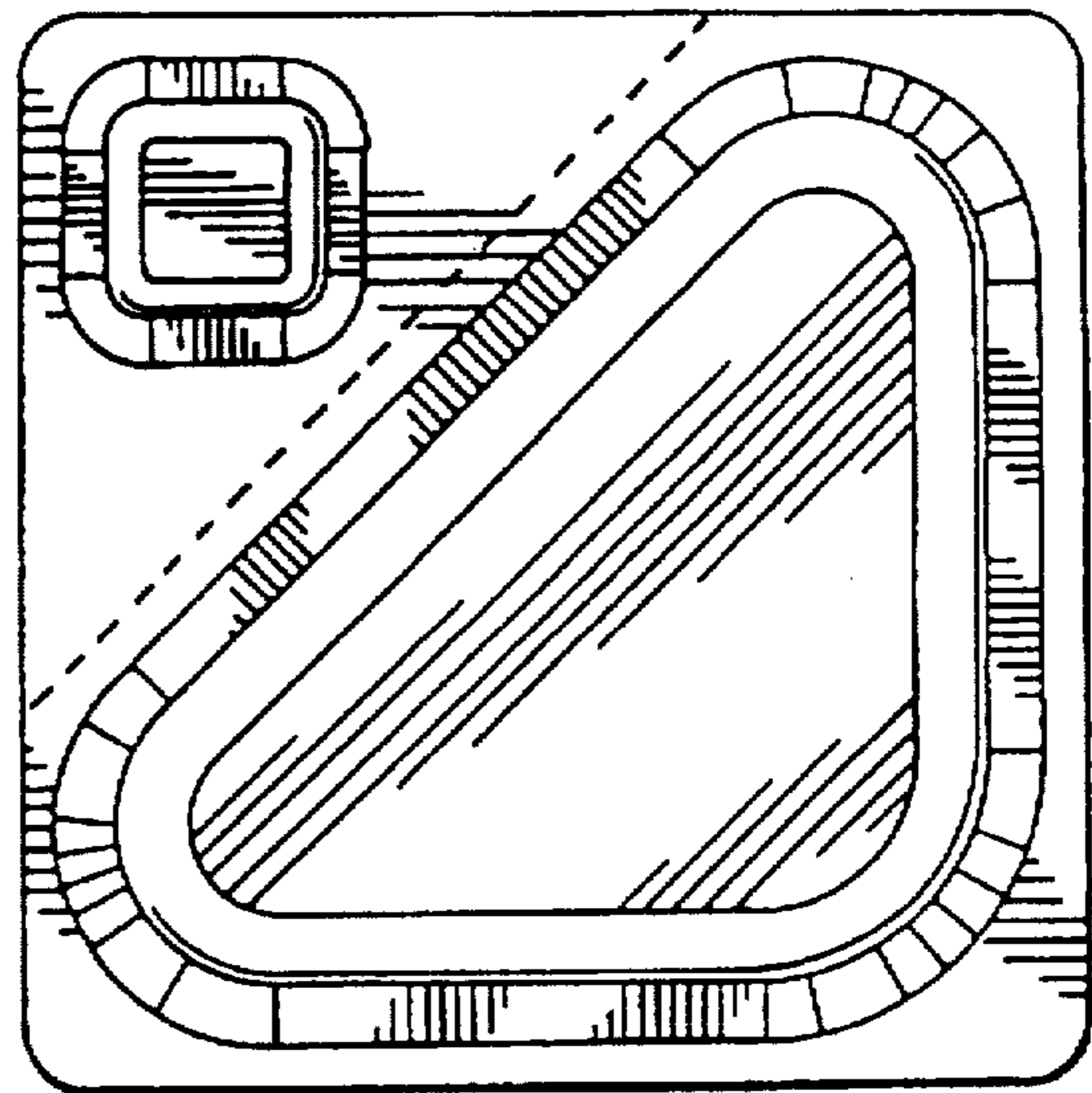


FIG. 2

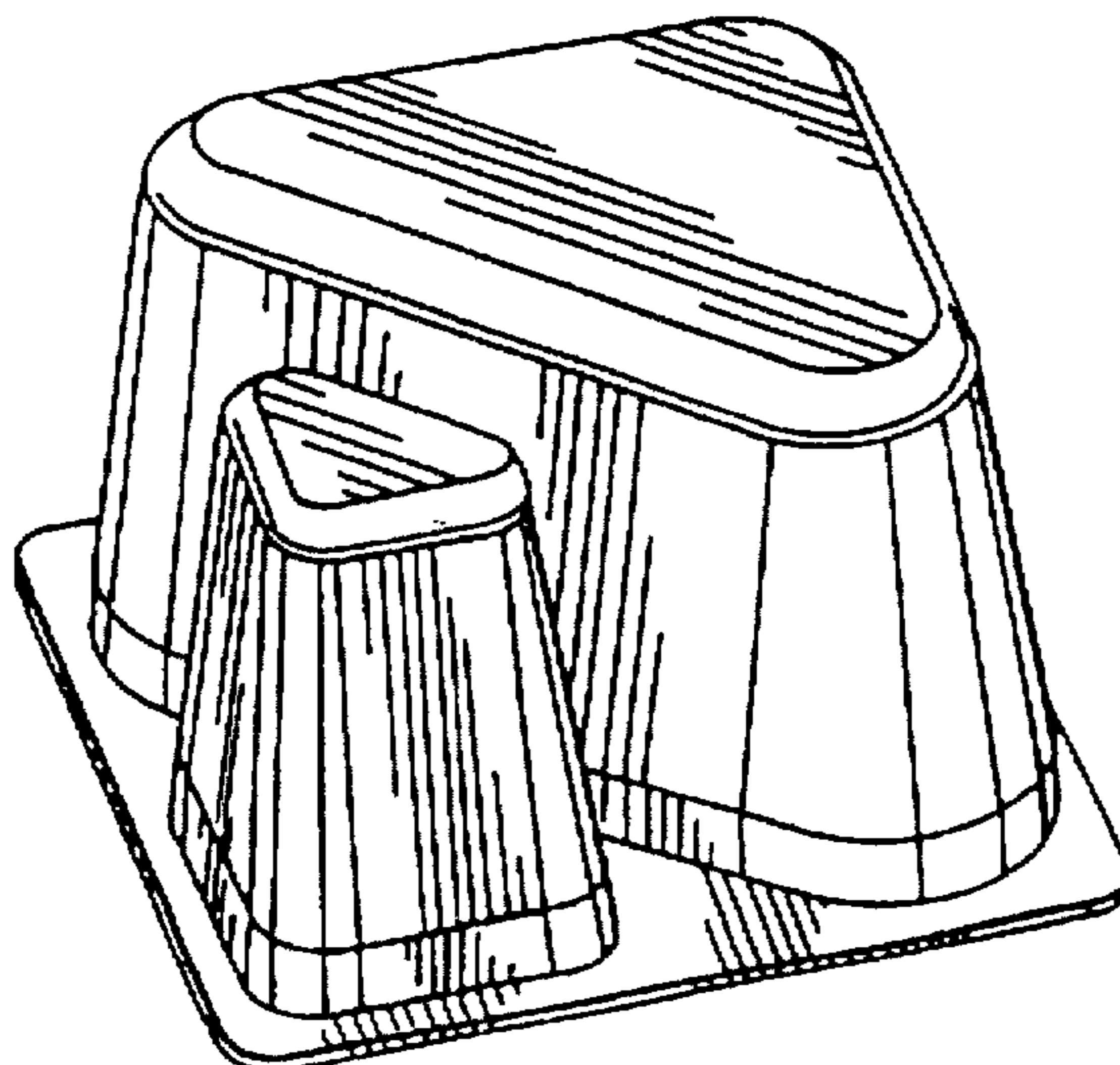


FIG. 5

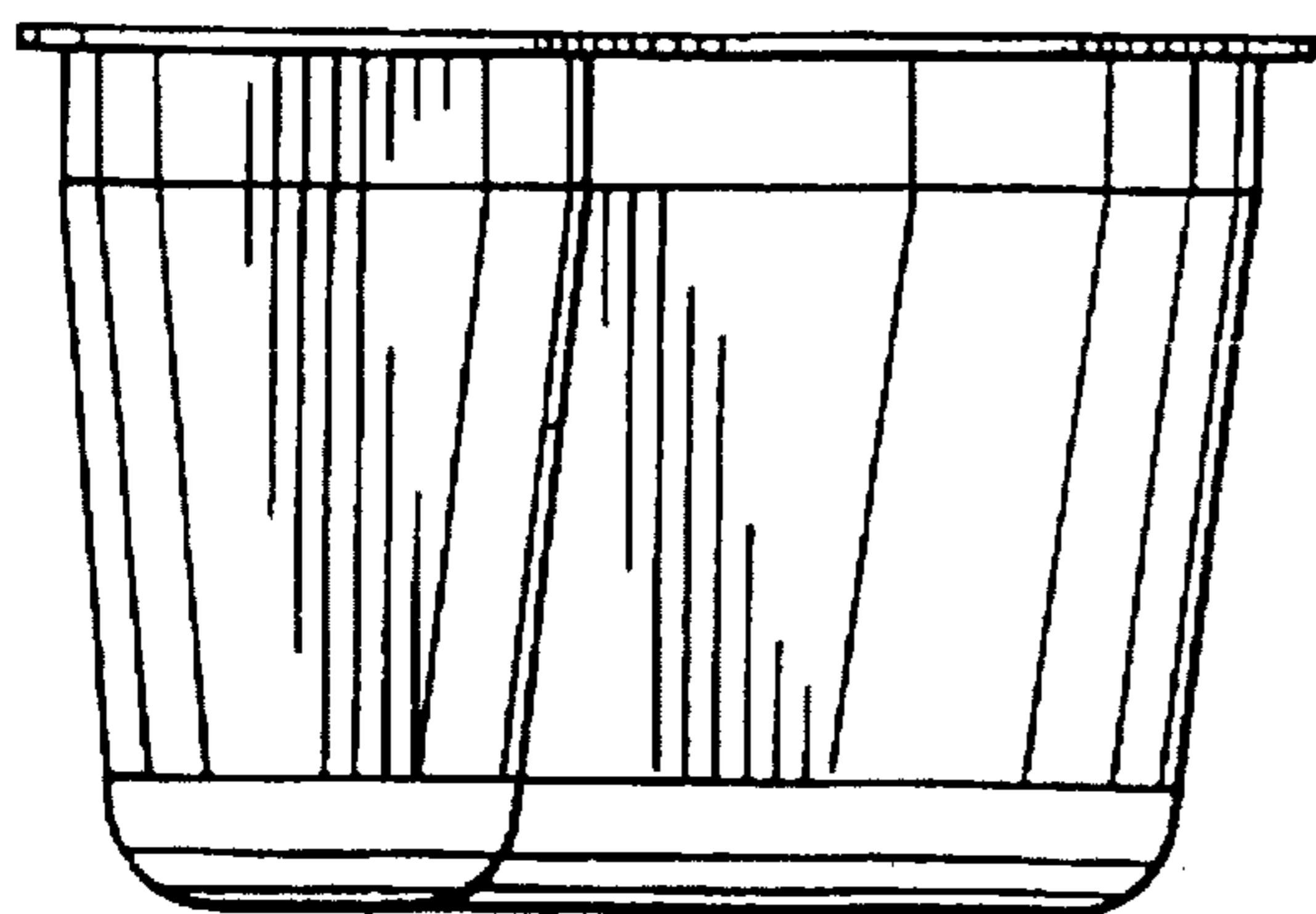


FIG. 6

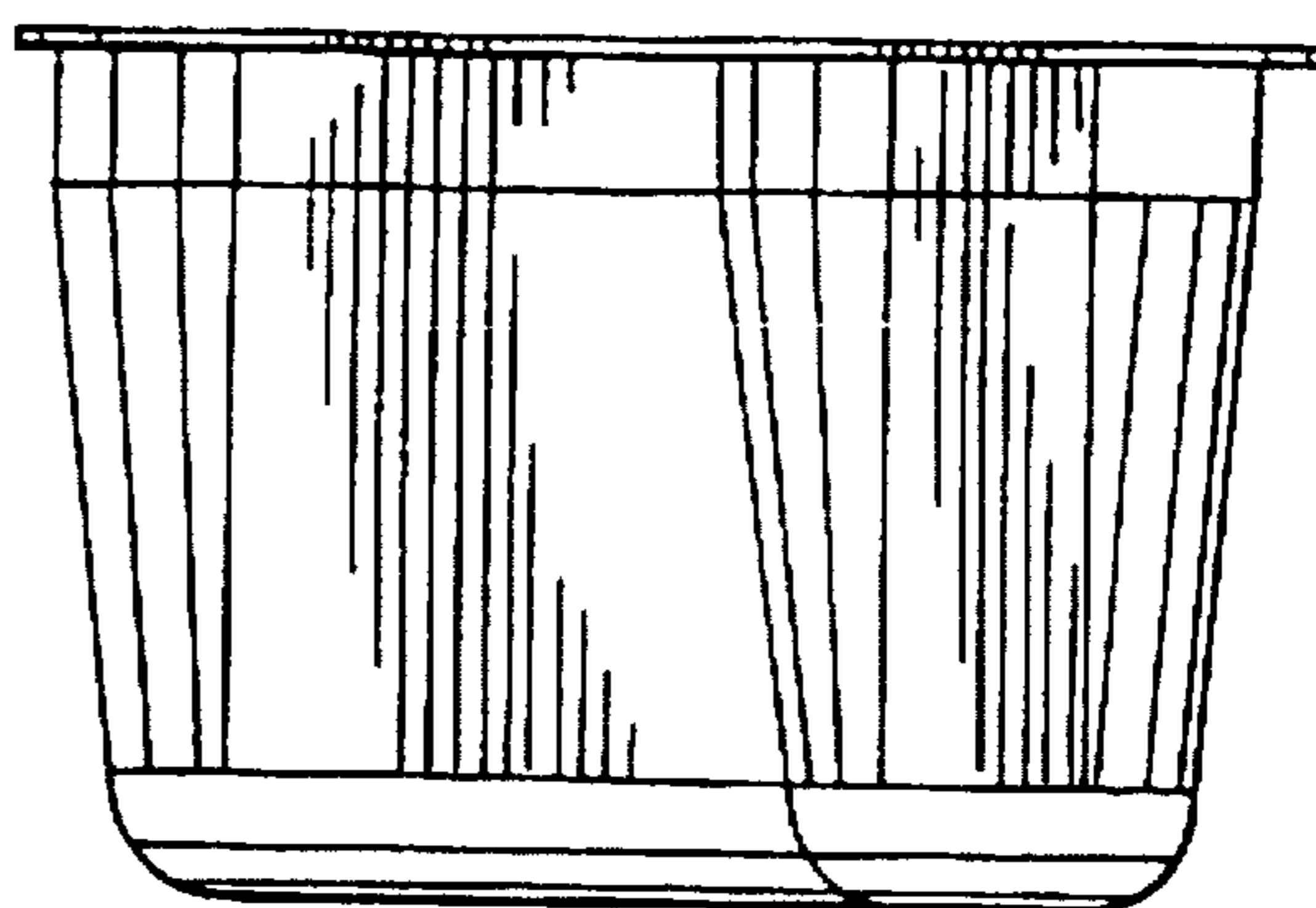


FIG. 7

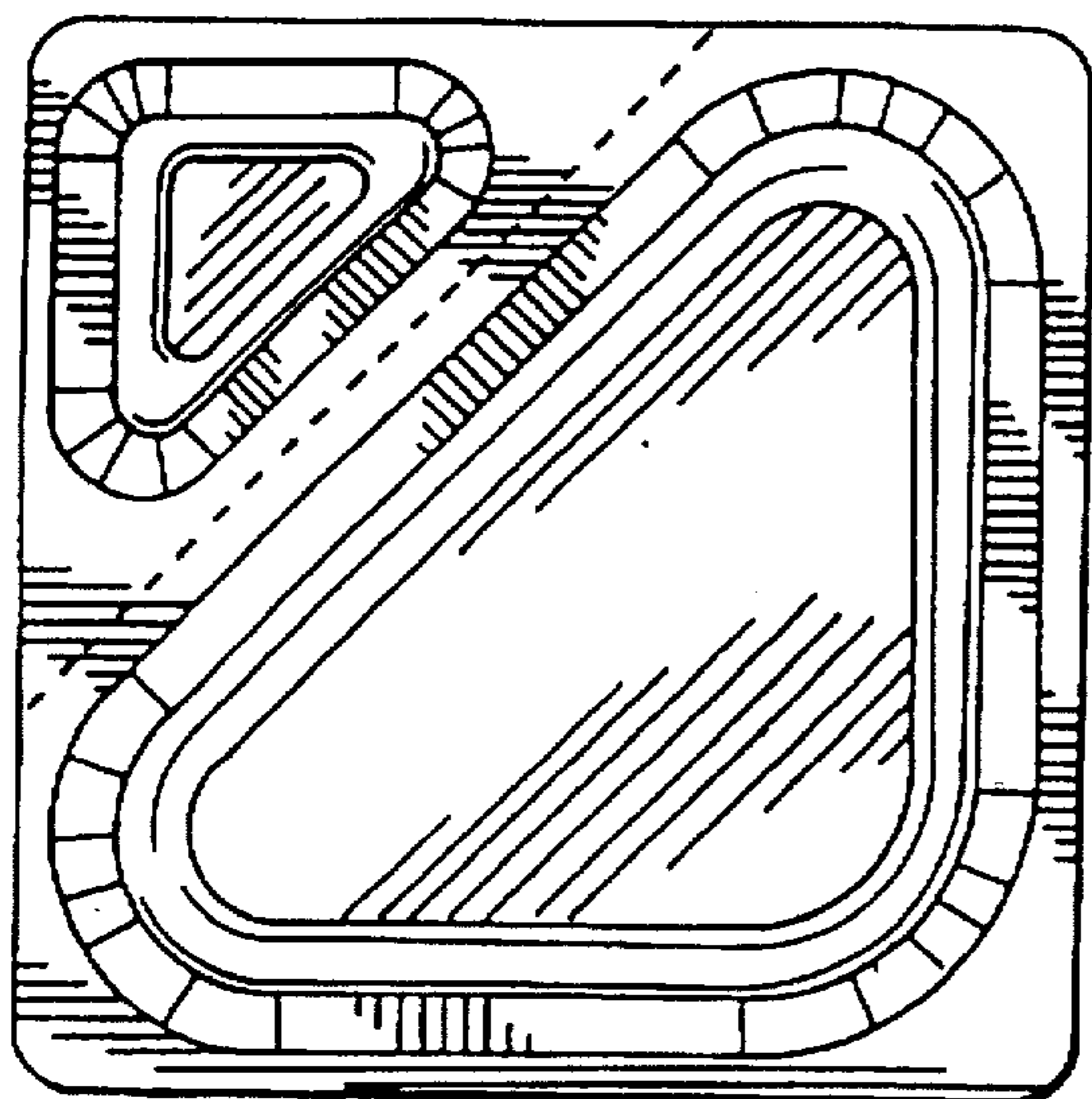


FIG. 8

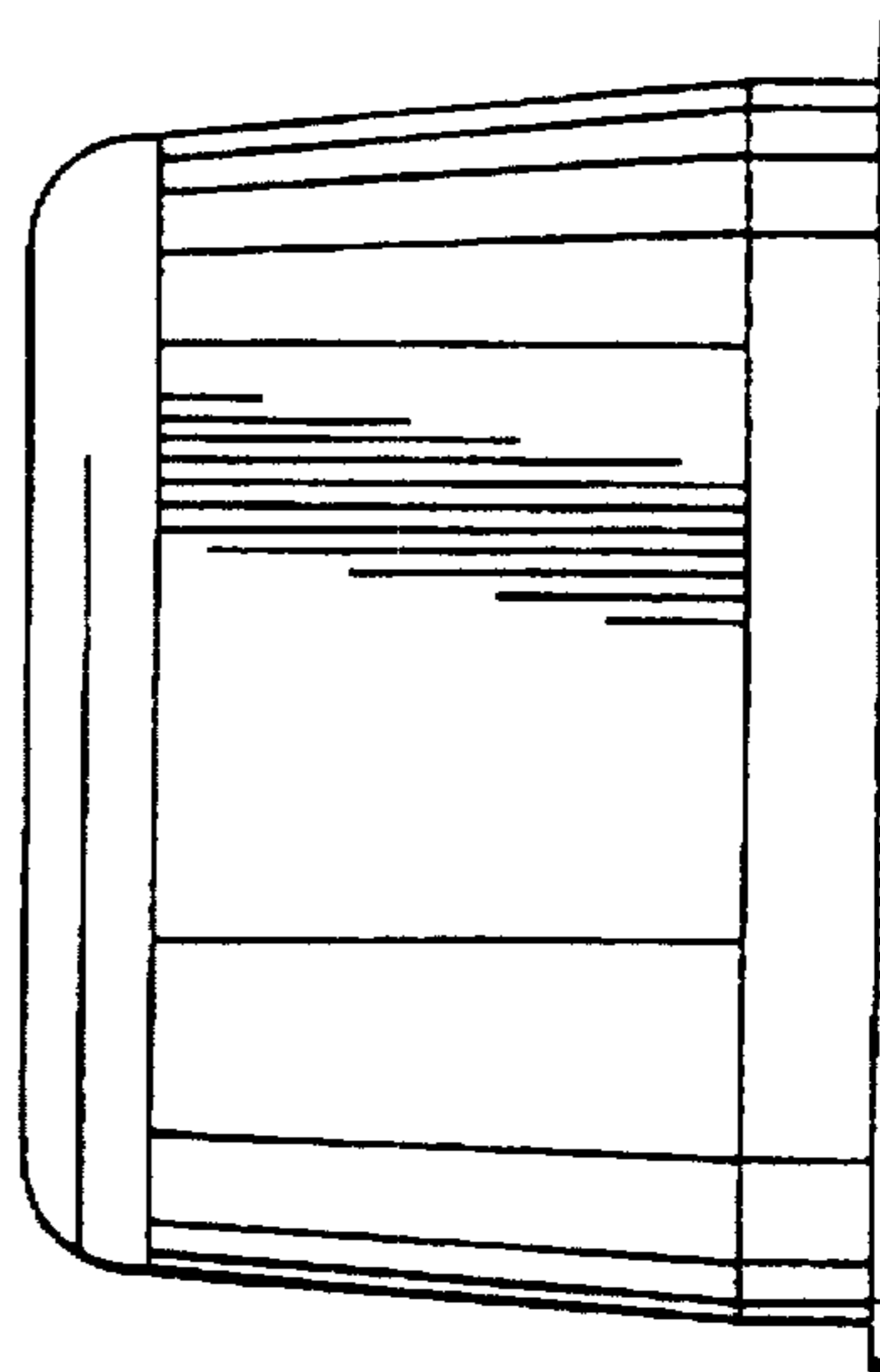


FIG. 9

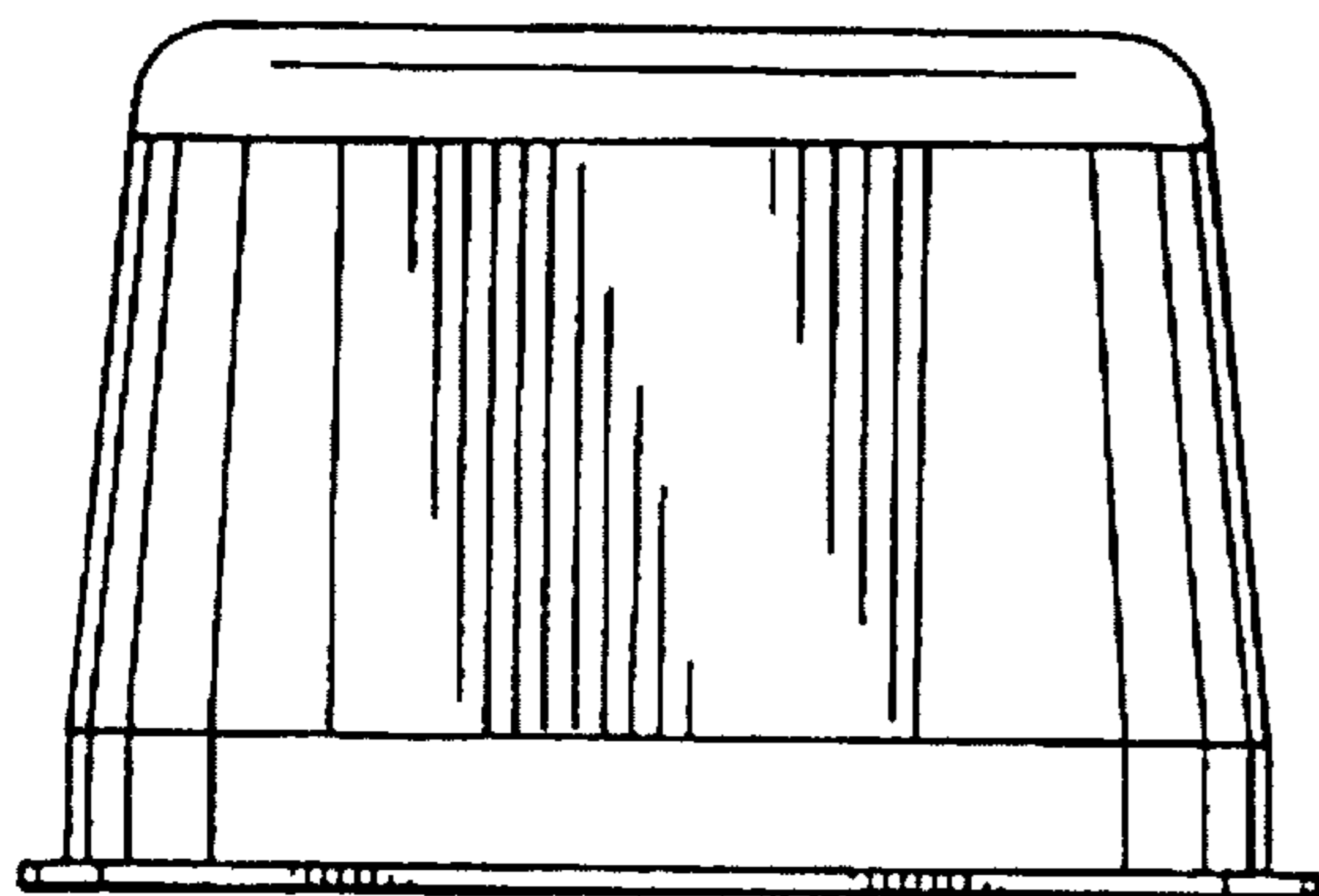


FIG. 10

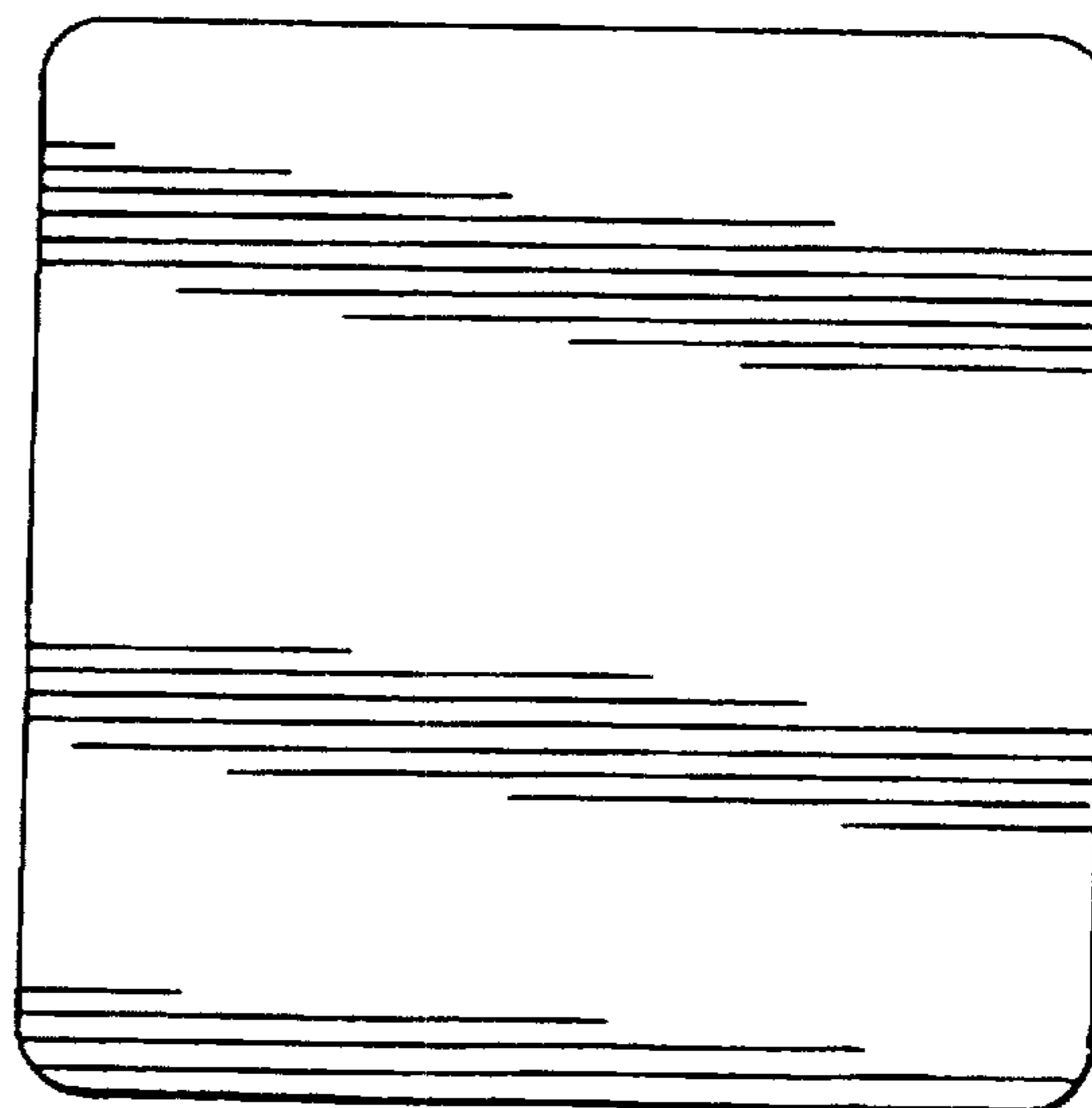


FIG. 11