



US00D393995S

# United States Patent [19] Thompson

[11] Patent Number: **Des. 393,995**

[45] Date of Patent: **\*\*May 5, 1998**

[54] **DISPLAY CASE LOCK**

[75] Inventor: **Robert L. Thompson, White Plains, N.Y.**

[73] Assignee: **Thompson Lock & Supply Corporation, Mamaroneck, N.Y.**

[\*\*] Term: **14 Years**

[21] Appl. No.: **75,487**

[22] Filed: **Aug. 15, 1997**

[51] LOC (6) Cl. .... **08-07**

[52] U.S. Cl. .... **D8/331**

[58] Field of Search ..... **D8/330, 331, 339, D8/341; 70/14, 57, 77, 78, 89, 90, 91**

[56] **References Cited**

**U.S. PATENT DOCUMENTS**

D. 31,583	10/1899	Arnold	.....	D8/343
3,844,145	10/1974	Kneebone	.....	70/90
3,989,698	11/1976	Ono	.....	70/14 X
4,343,161	8/1982	Gale	.....	70/14
4,356,580	11/1982	Kurtz	.....	70/14

*Primary Examiner*—Brian N. Vinson

*Attorney, Agent, or Firm*—St. Onge Steward Johnson & Reens, LLC

[57] **CLAIM**

The ornamental design for a display case lock, as shown and described.

**DESCRIPTION**

FIG. 1 is a front perspective view of a display case lock, showing my new design;

FIG. 2 is a front elevation view;

FIG. 3 is a right side elevation view; the left side elevation view is omitted because it is identical to the right side elevation view;

FIG. 4 is a top plan view; the bottom plan view is omitted because it is identical to the top plan view;

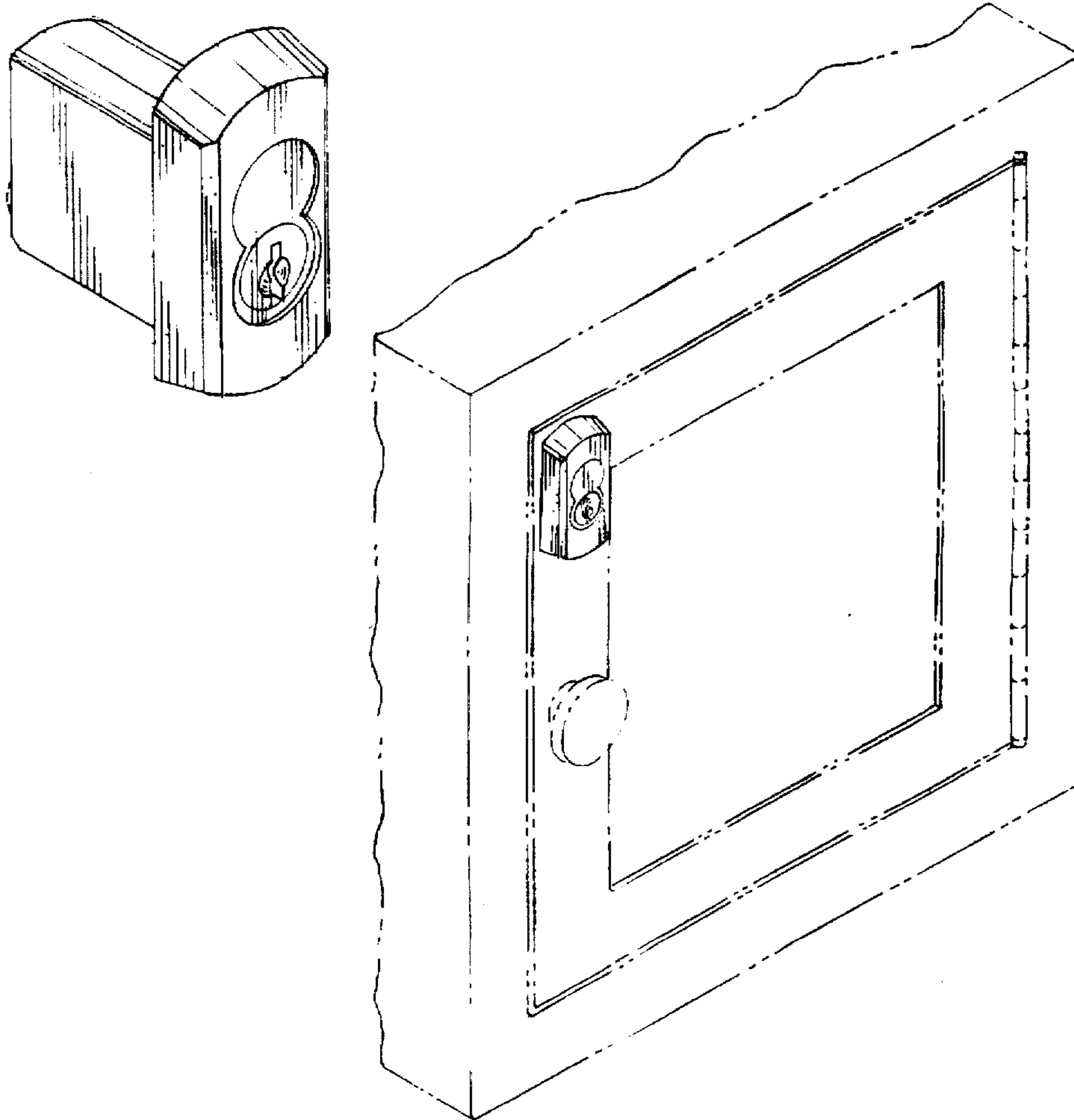
FIG. 5 is a rear elevation view; and,

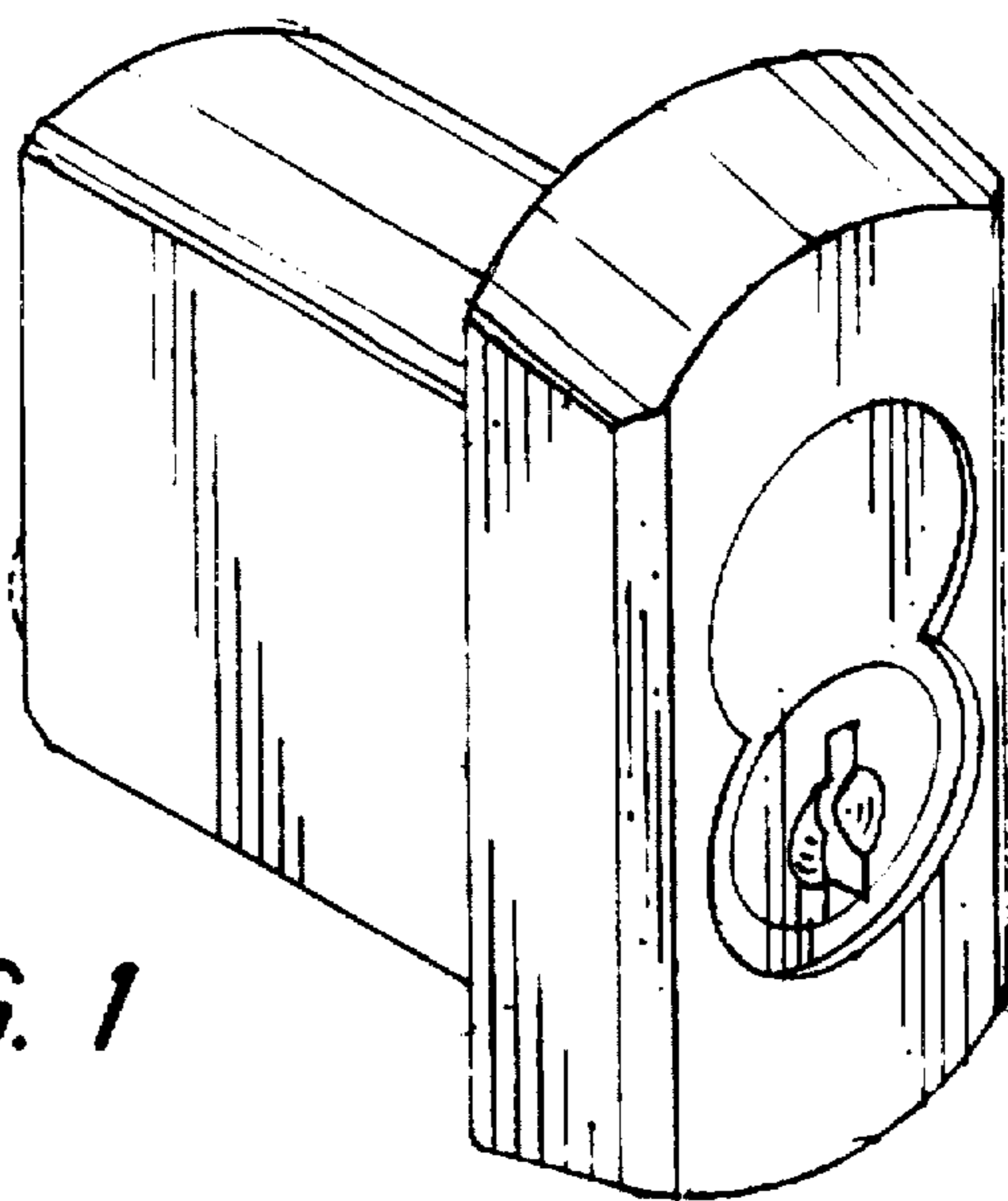
FIG. 6 is a perspective view showing the display case lock in a display case.

The broken lines showing in FIGS. 3, 4, and 5 are not considered part of the claimed invention.

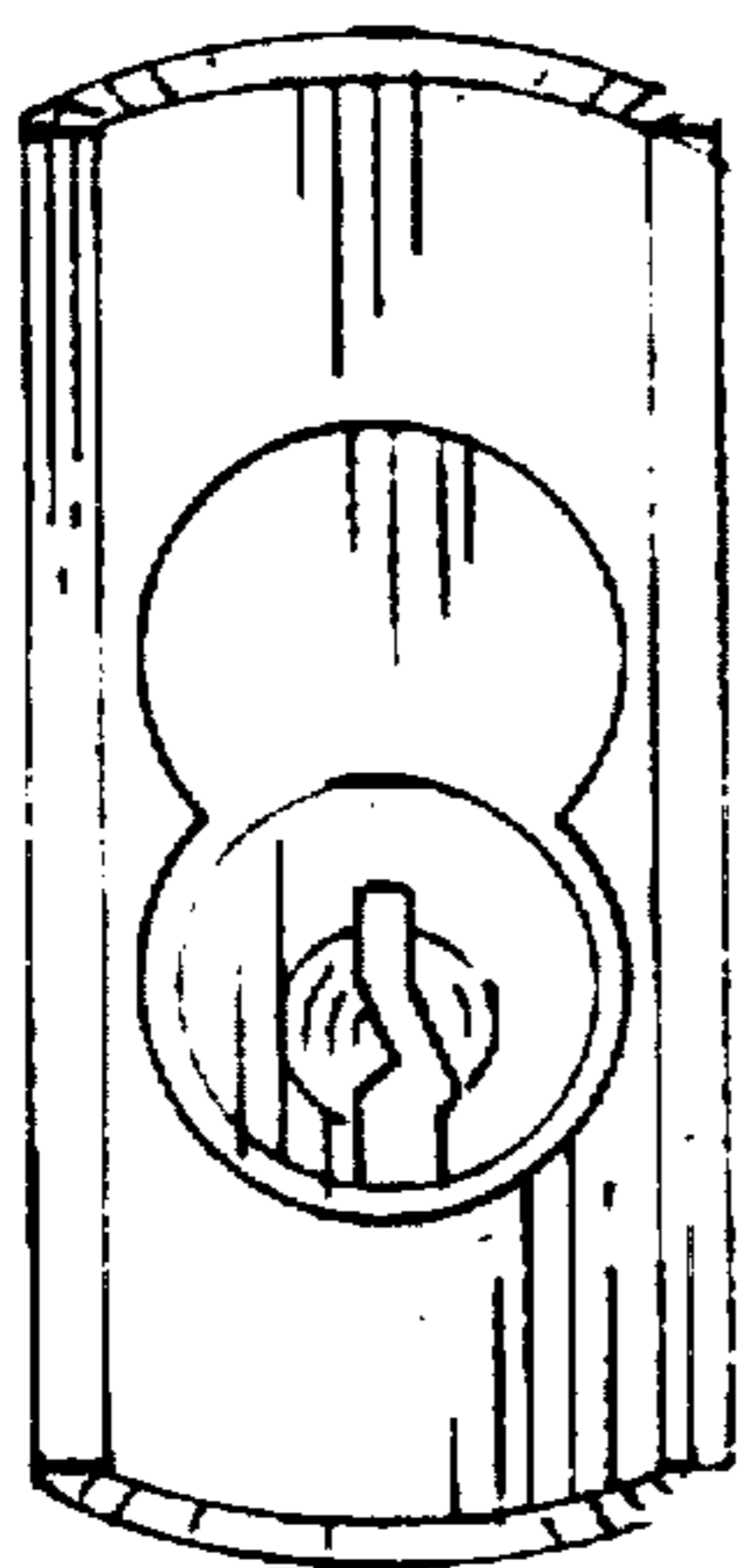
The broken lines showing in FIG. 6 are included for the purpose of illustrating environmental structure only and form no part of the claimed invention.

**1 Claim, 2 Drawing Sheets**

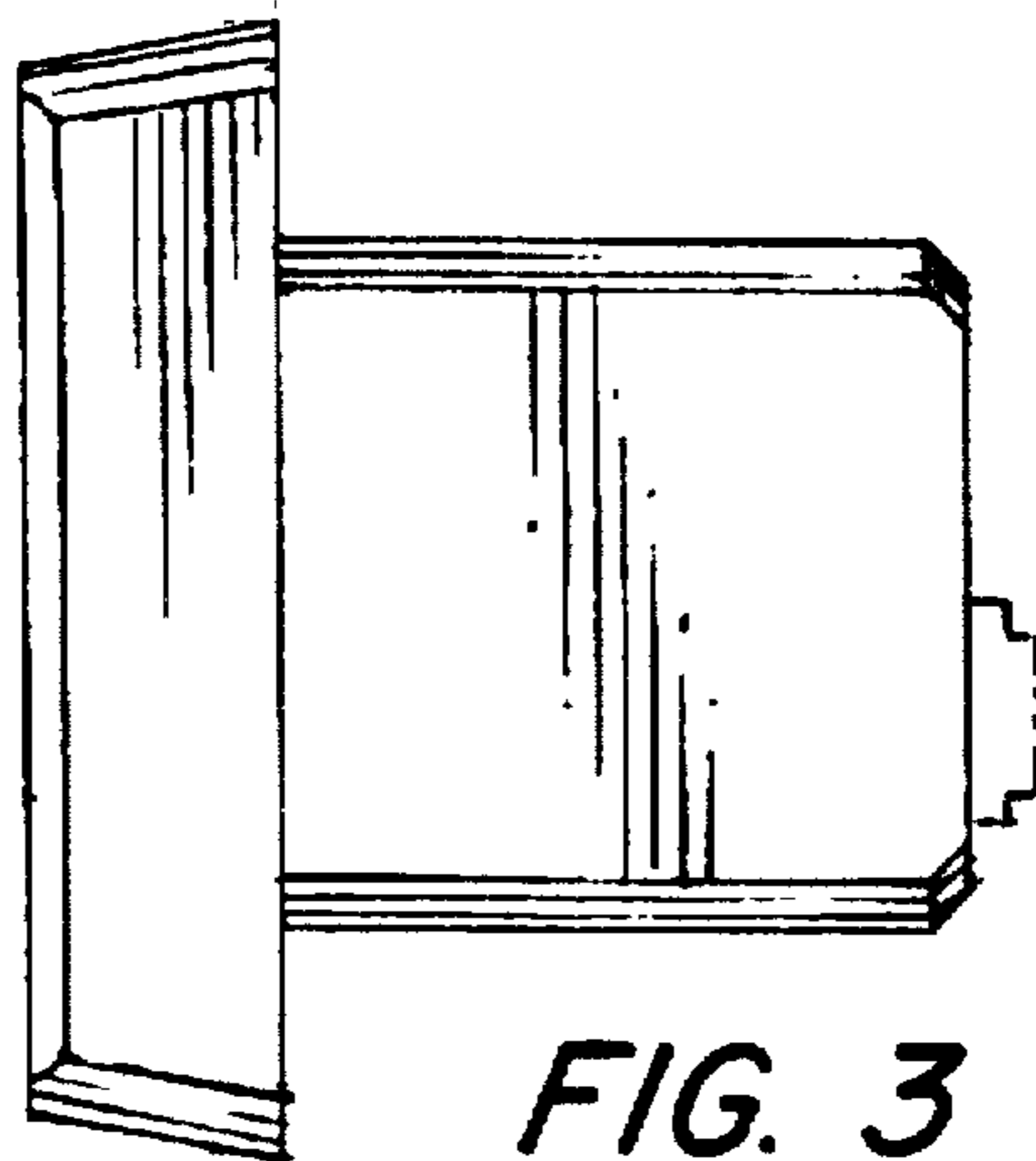




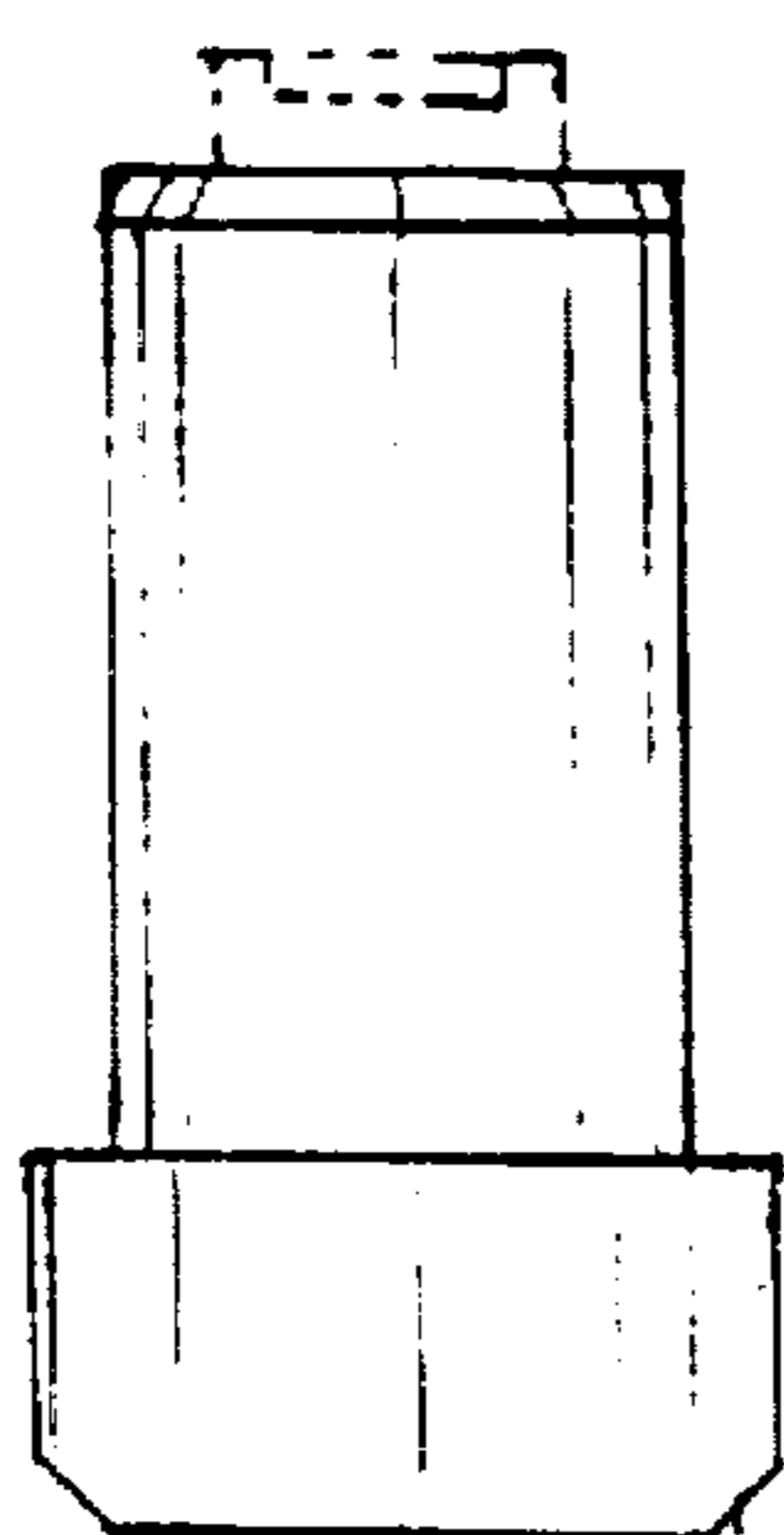
*FIG. 1*



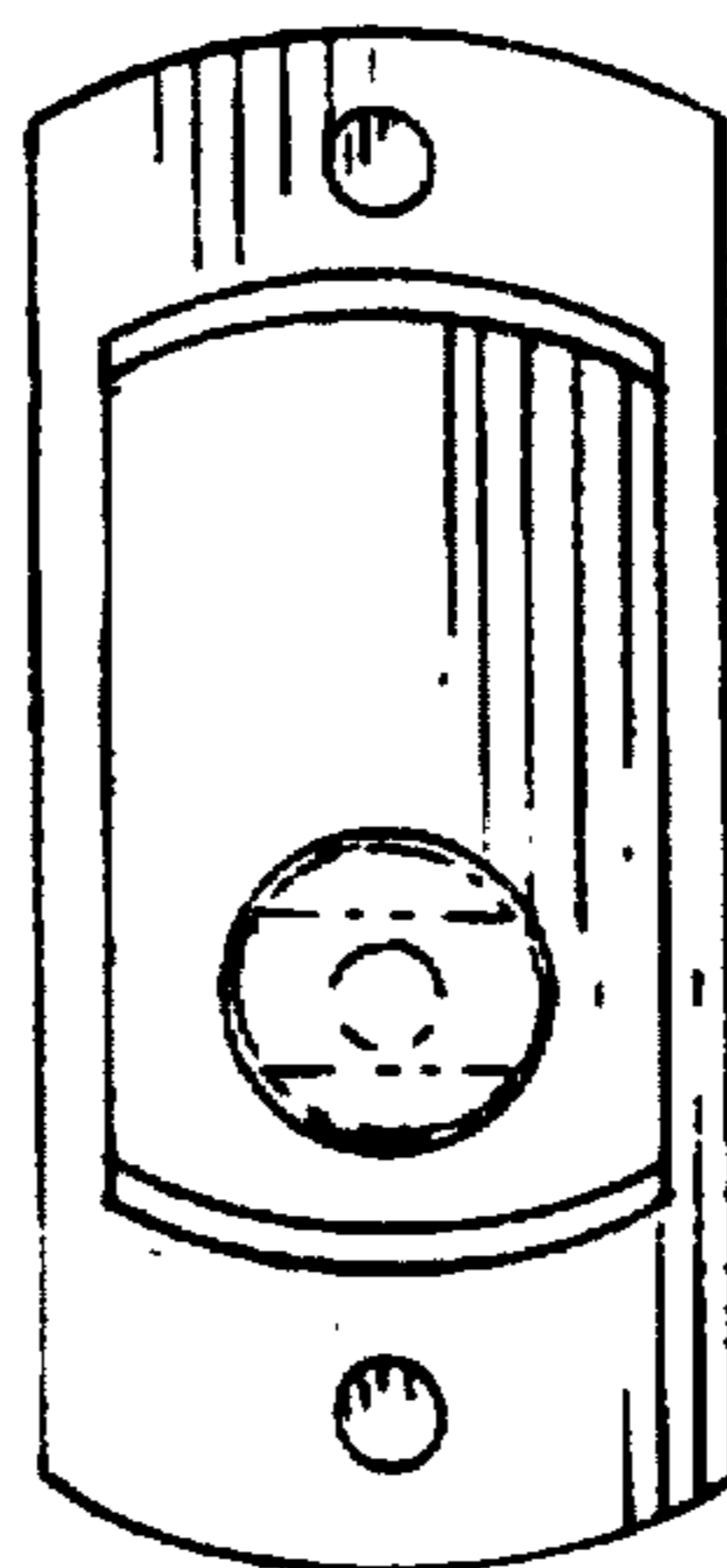
*FIG. 2*



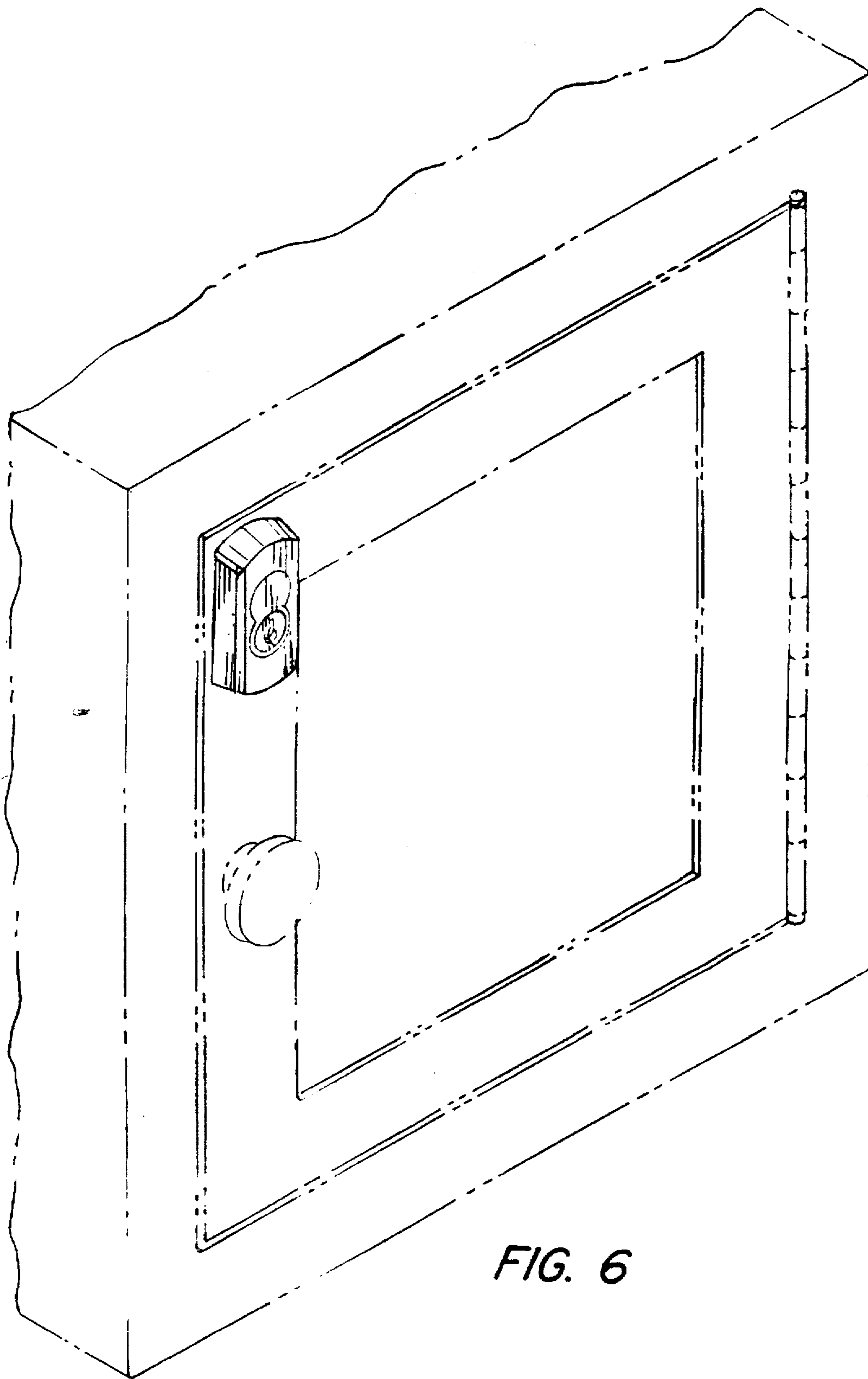
*FIG. 3*



*FIG. 4*



*FIG. 5*



*FIG. 6*