

US00D393994S

United States Patent [19]

Hankel et al.

[11] Patent Number: **Des. 393,994**

[45] Date of Patent: ****May 5, 1998**

[54] **HANDLE FOR DOORS**

[75] Inventors: **Willi Hankel, Waldeck; Winfried Scholl, Düsseldorf, both of Germany**

[73] Assignee: **HEWI Heinrich Wilke GmbH, Arolsen, Germany**

[**] Term: **14 Years**

[21] Appl. No.: **57,639**

[22] Filed: **Jul. 29, 1996**

[30] **Foreign Application Priority Data**

Jan. 29, 1996 [DE] Germany M 96 00 781.8

[51] LOC (6) Cl. **08-06**

[52] U.S. Cl. **D8/302; D8/301; D8/308; D8/353**

[58] Field of Search D8/300, 301, 302, D8/308, 353; D23/250, 252; 116/110 R; 292/347, 357, 336.3; 70/519, 523

[56] **References Cited**

U.S. PATENT DOCUMENTS

- D. 175,851 10/1955 Ohno D8/302
- D. 312,565 12/1990 Abraham et al. D8/308
- D. 313,542 1/1991 Fayerman D8/308
- D. 339,280 9/1993 Bray et al. D8/308

D. 356,484 3/1995 Scholl D8/308

OTHER PUBLICATIONS

Yale Architectural Hardware 1985 Condensed Cat.; p. 7; Escutcheon Lever Trim CNE. 1985.

The Ironmonger Inc. Cat.; p. 37; Lever with Escutcheon 103-230. E ©1983.

Primary Examiner—B. J. Bullock

Attorney, Agent, or Firm—Michael J. Striker

[57] **CLAIM**

The ornamental design for a handle for doors, as shown and described.

DESCRIPTION

FIG. 1 is a front perspective view of the handle for doors showing my new design;

FIG. 2 is a right side plan view thereof;

FIG. 3 is a front plan view thereof;

FIG. 4 is a top plan view thereof;

FIG. 5 is a bottom plan view thereof;

FIG. 6 is a front perspective view of an alternate embodiment of my new design;

FIG. 7 is a right side view thereof;

FIG. 8 is a front plan view thereof;

FIG. 9 is a top plan view thereof; and,

FIG. 10 is a bottom plan view thereof.

1 Claim, 4 Drawing Sheets

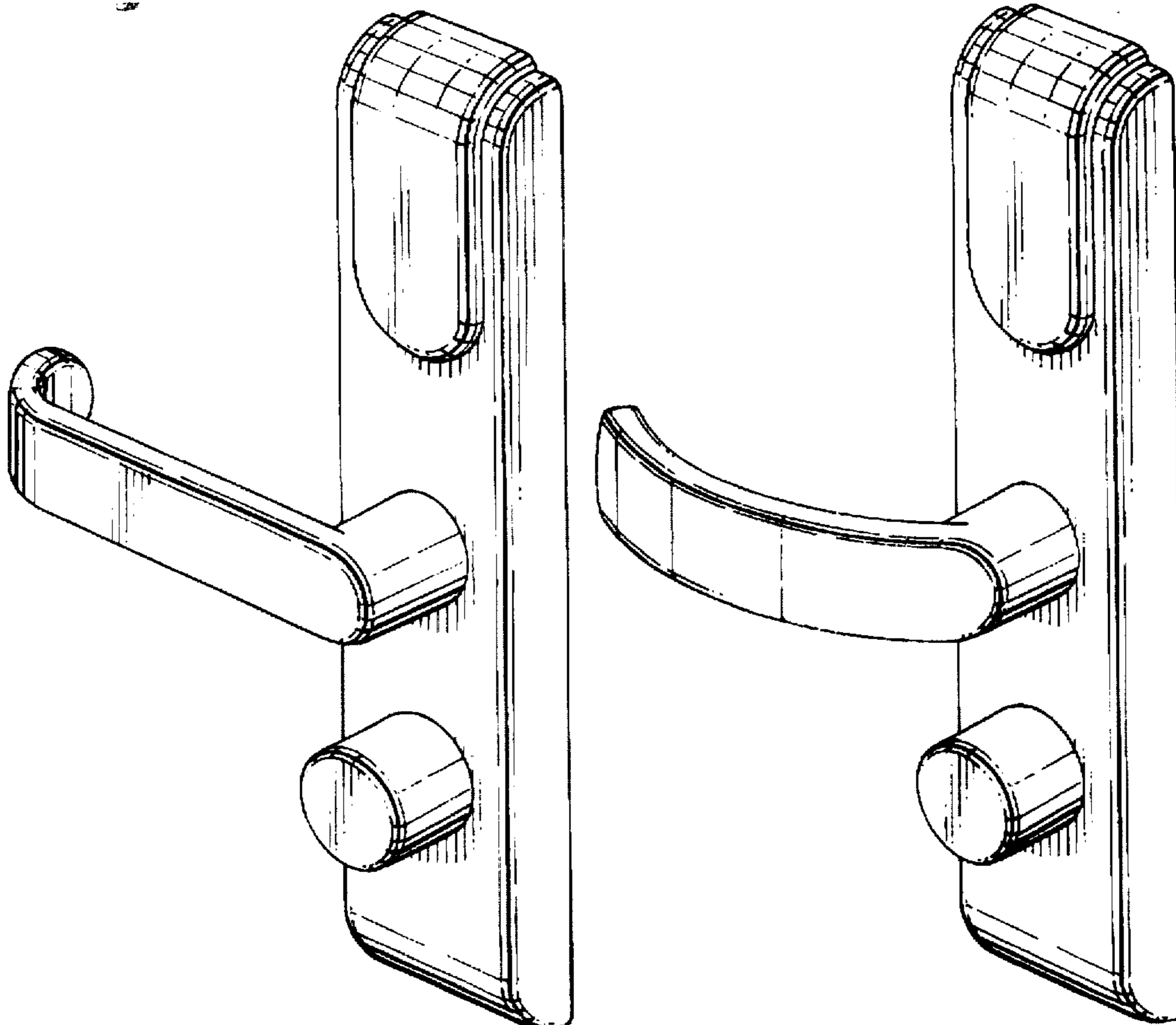


Fig. 1.

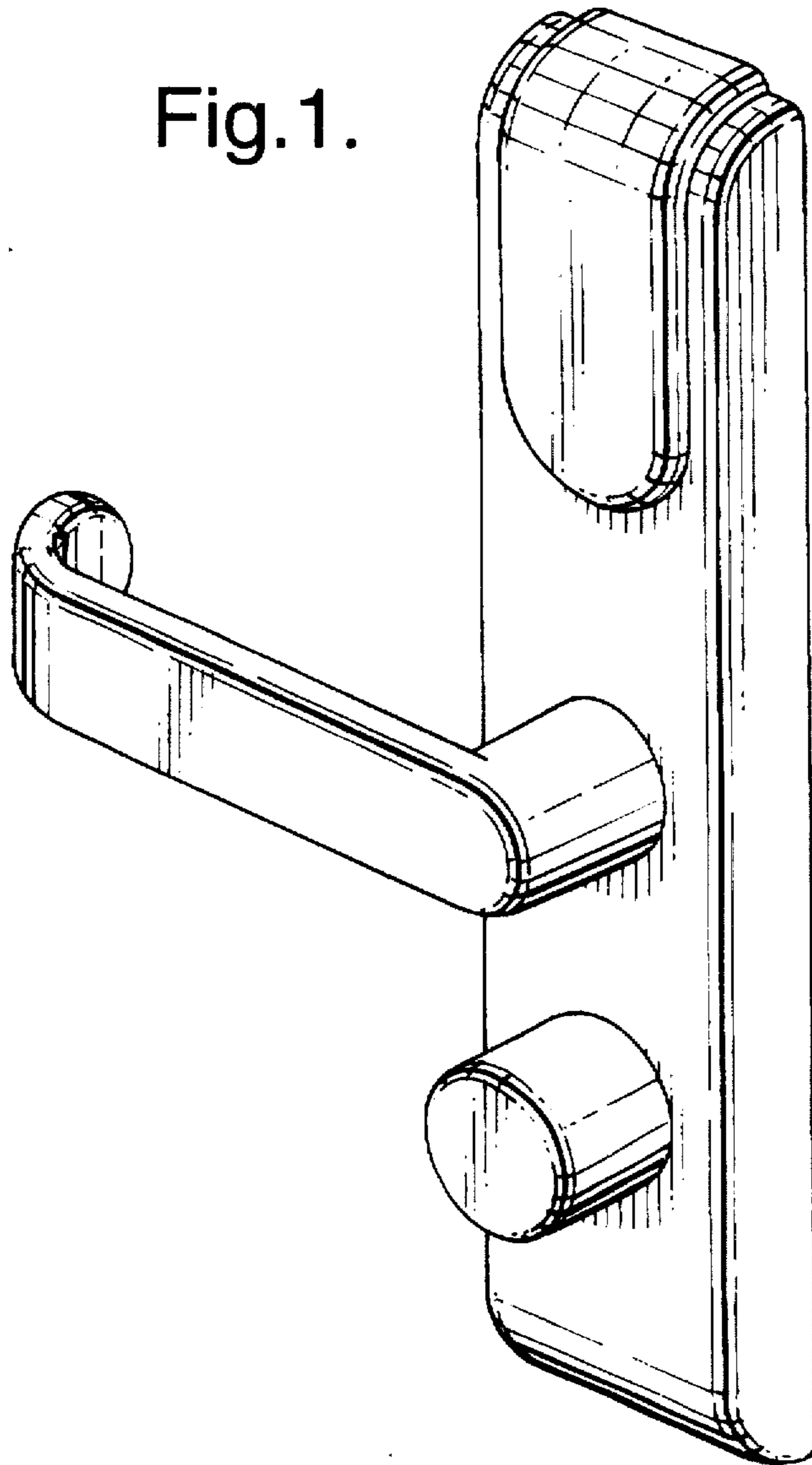


Fig.2.

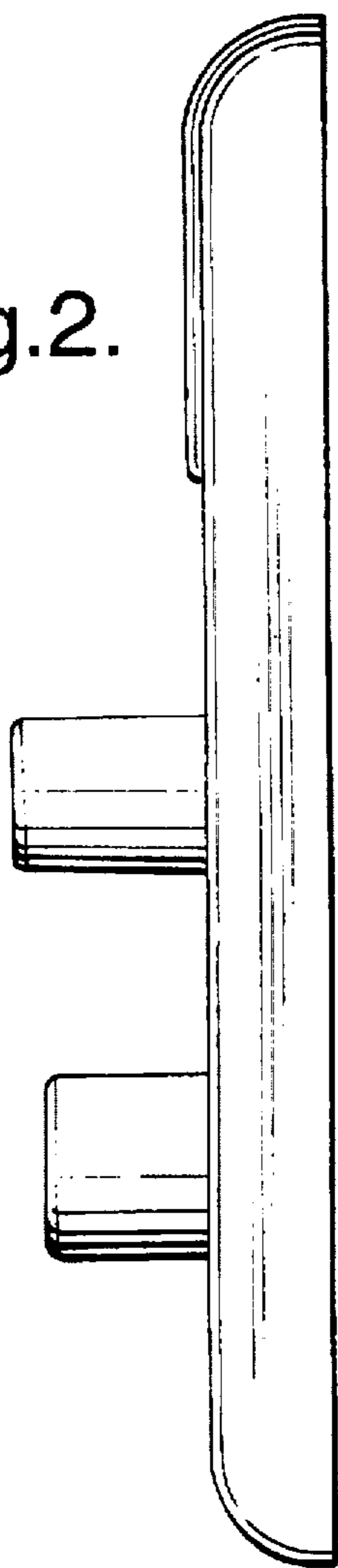


Fig.3.

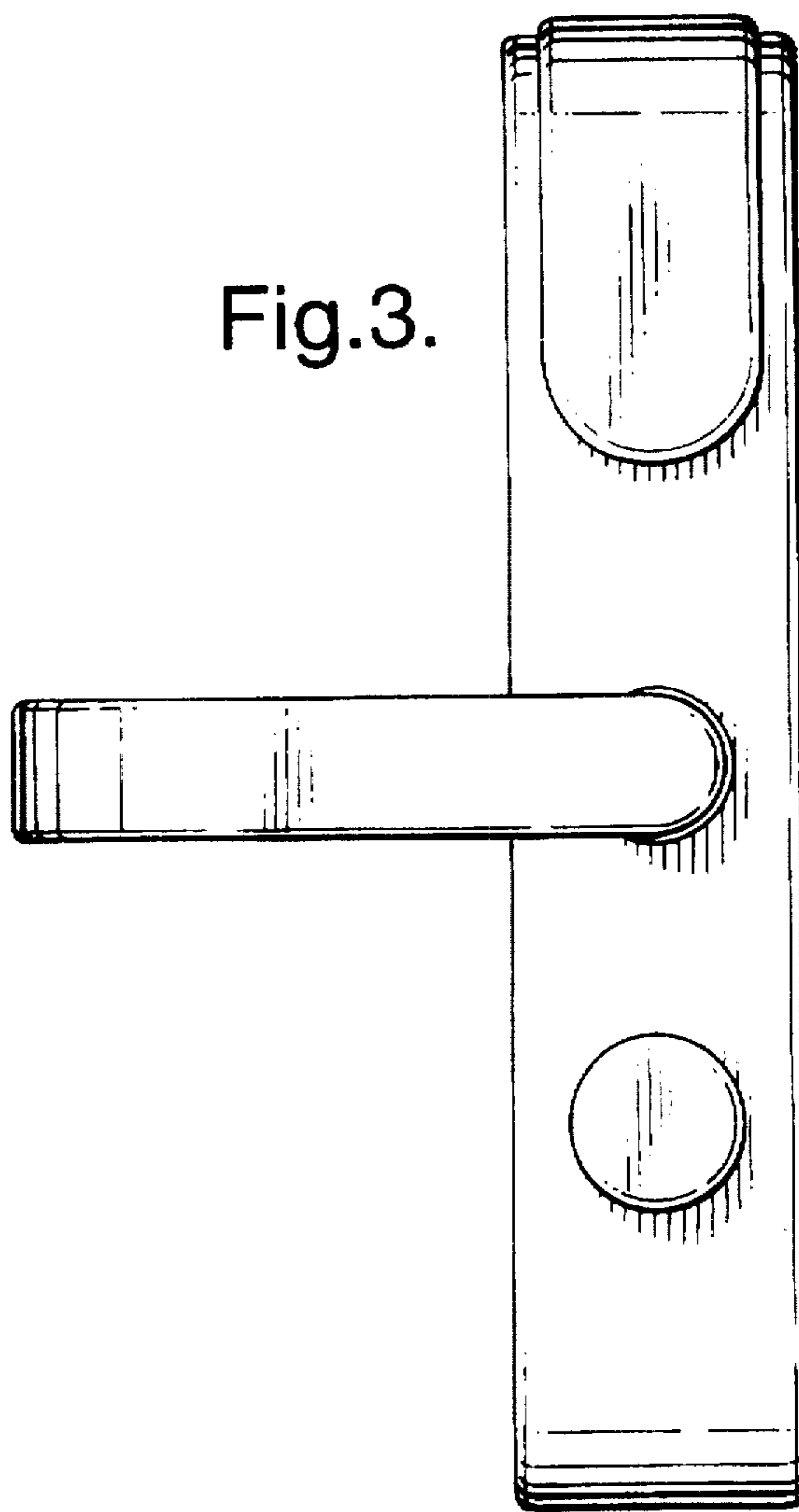


Fig.4.

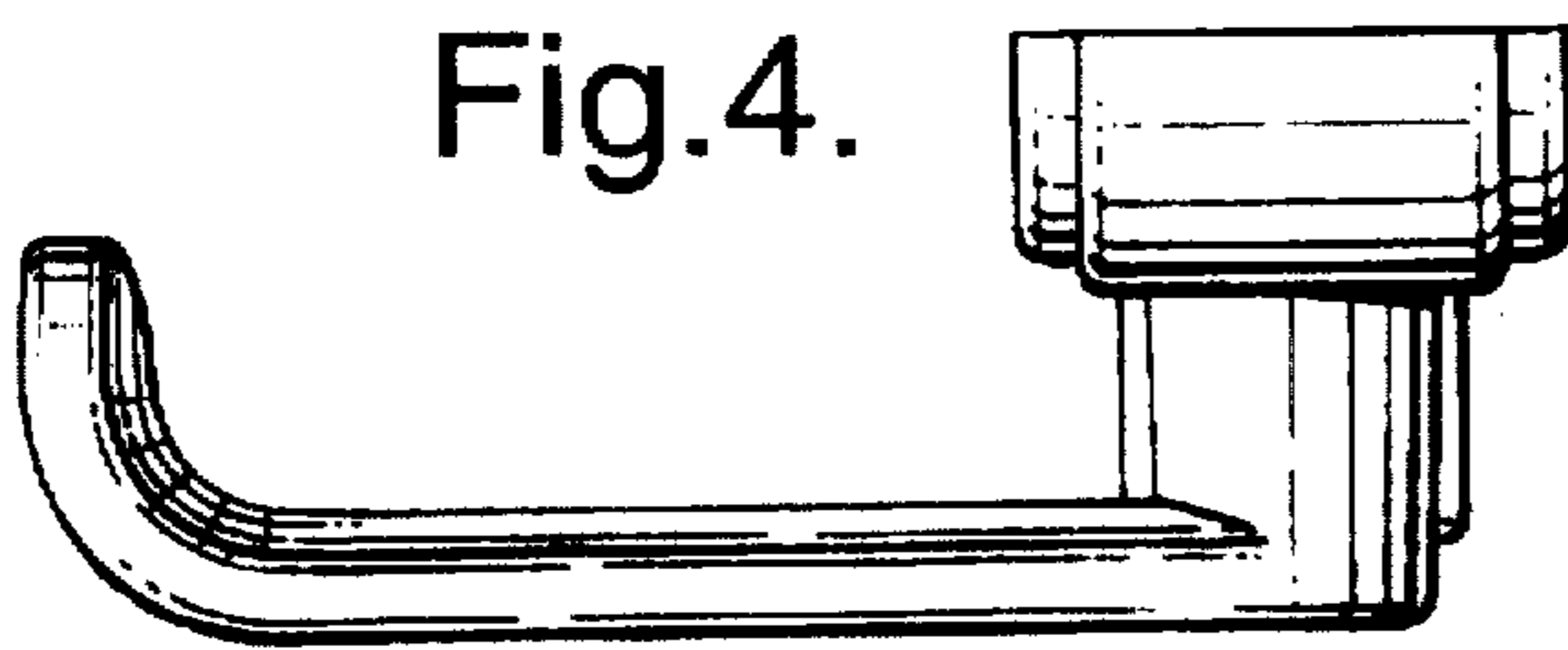


Fig.5.

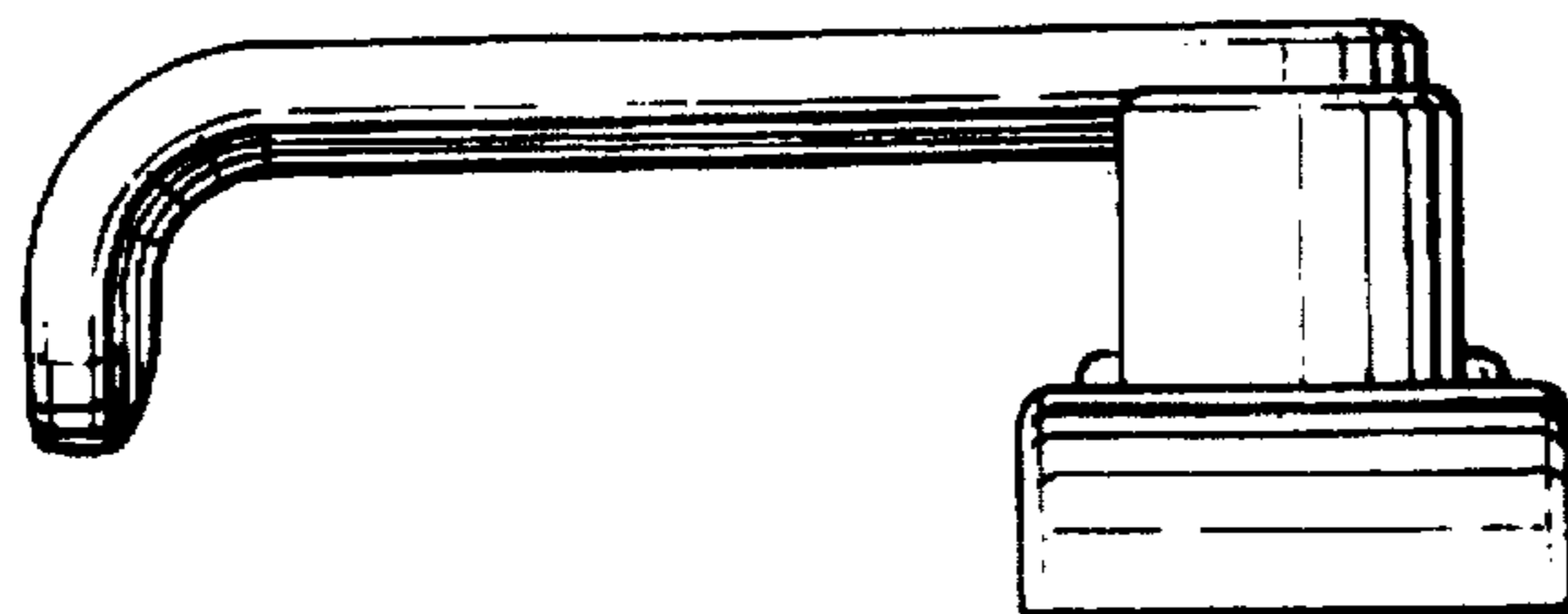


Fig.6.

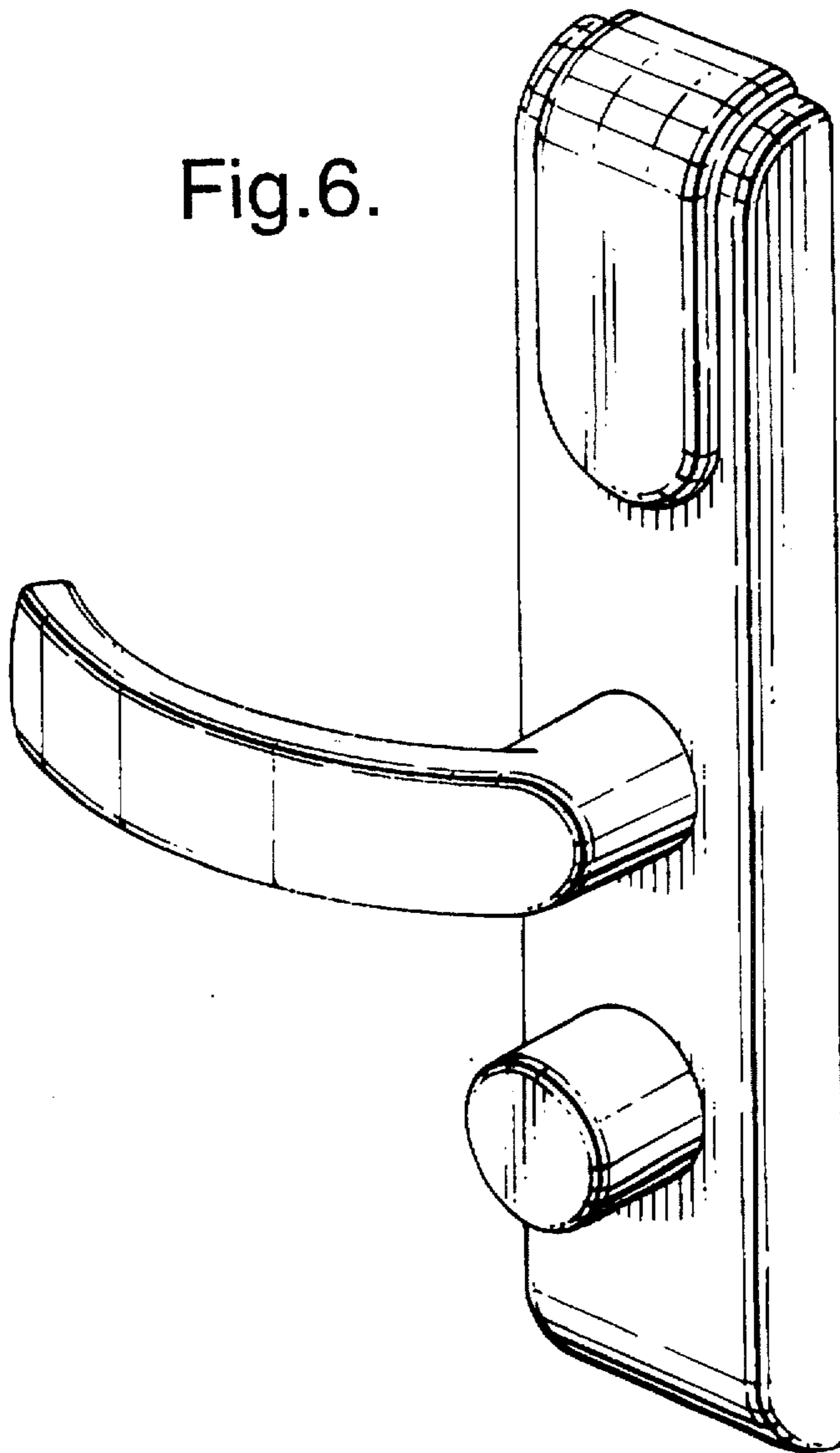


Fig.7.

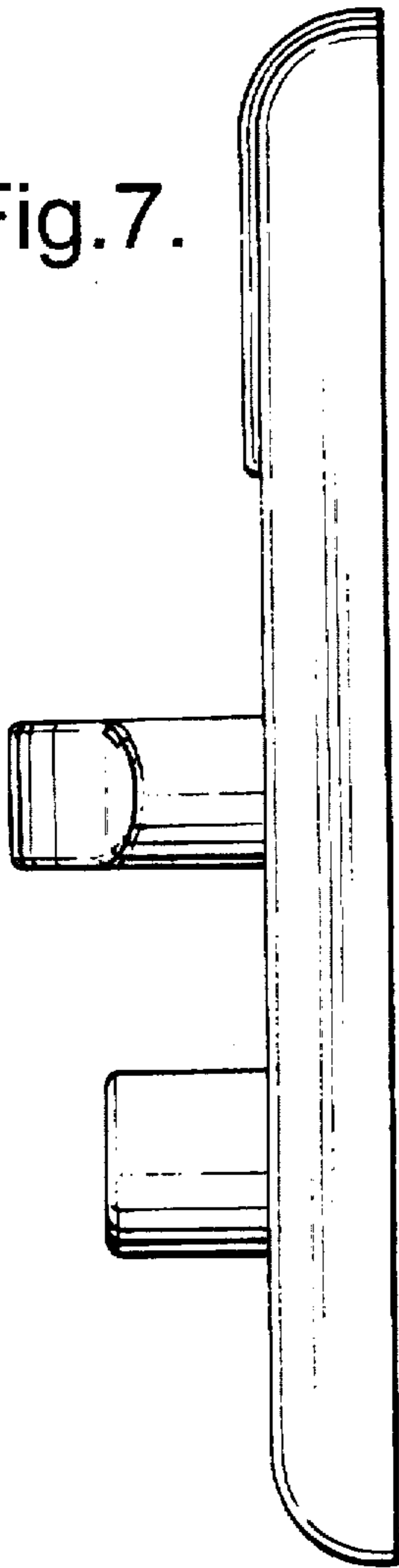


Fig.8.

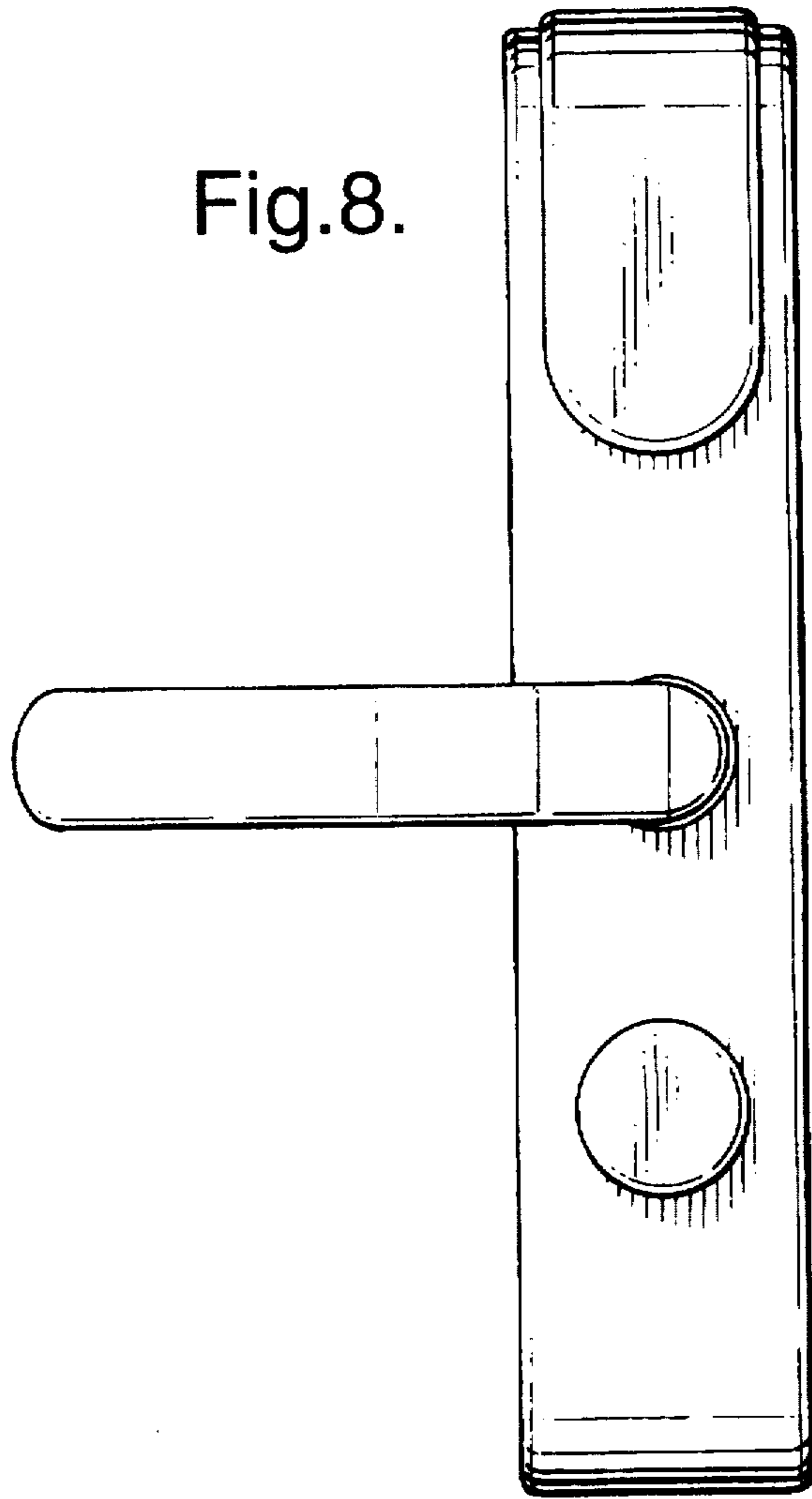


Fig.9.

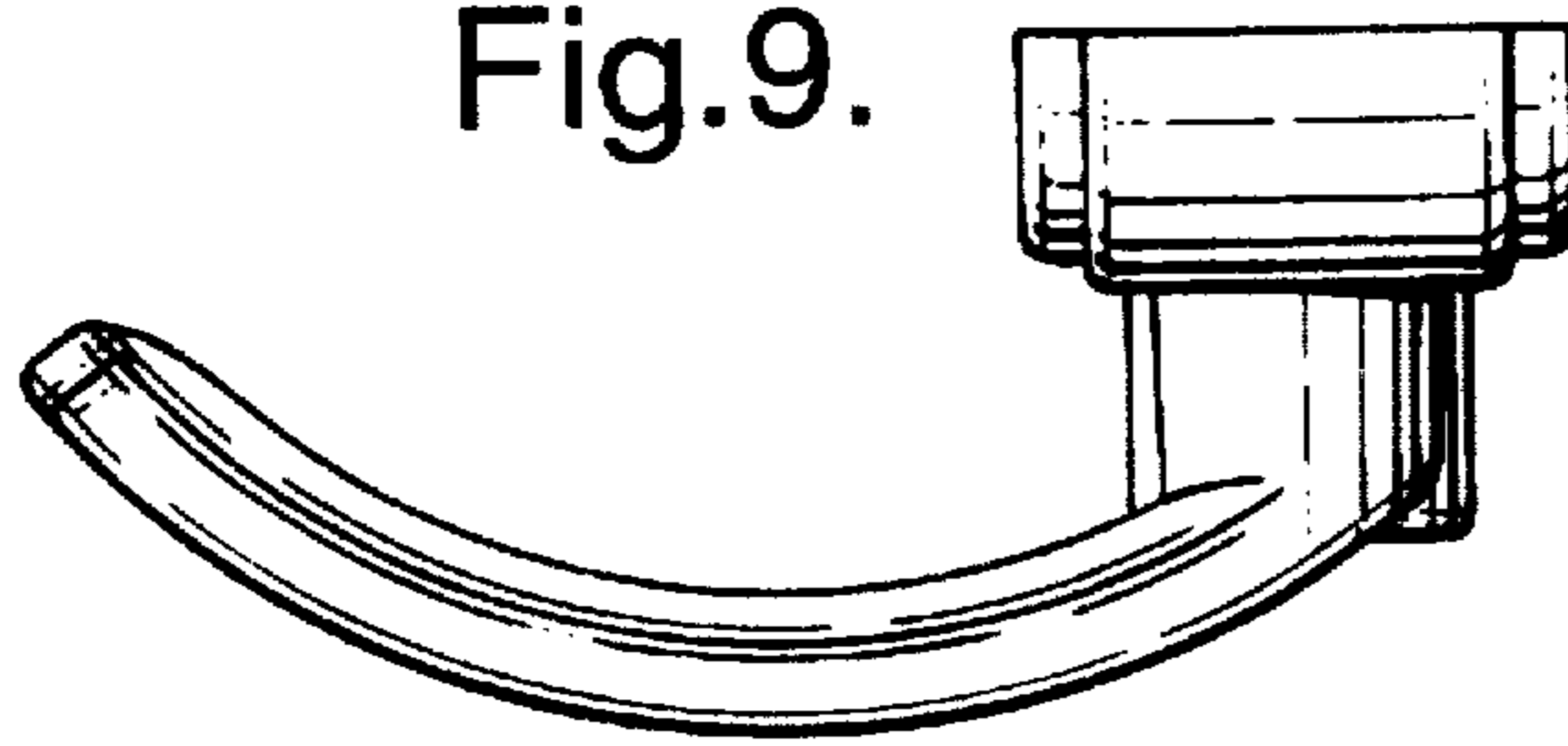


Fig.10.

