



US00D393983S

**United States Patent** [19]  
**Pulitano**

[11] **Patent Number:** **Des. 393,983**

[45] **Date of Patent:** **\*\*May 5, 1998**

[54] **TABLE TOP ORGANIZER FOR CONDIMENT CONTAINERS AND NAPKINS**

D. 156,670 12/1949 Runnels ..... D7/592  
D. 324,155 2/1992 Hyman ..... D7/632  
3,318,454 5/1967 Donlin ..... 211/43

[76] **Inventor:** **Frank Pulitano**, 163 Summer St.,  
Stratford, Conn. 06497

*Primary Examiner*—Terry A. Wallace  
*Attorney, Agent, or Firm*—Haverstock, Garrett & Roberts

[\*\*] **Term:** **14 Years**

[57] **CLAIM**

[21] **Appl. No.:** **72,521**

The ornamental design for a table top organizer for condiment containers and napkins, as shown and described.

[22] **Filed:** **Jun. 19, 1997**

**DESCRIPTION**

[51] **LOC (6) Cl.** ..... **07-06**

[52] **U.S. Cl.** ..... **D7/590; D7/601; D7/632;**  
D19/90

[58] **Field of Search** ..... D7/590, 601, 631,  
D7/632; D19/34.1, 34.2, 65, 75, 86, 90-92;  
211/13.1, 43, 45, 49.1, 51, 71, 85.4, 126.1,  
126.12

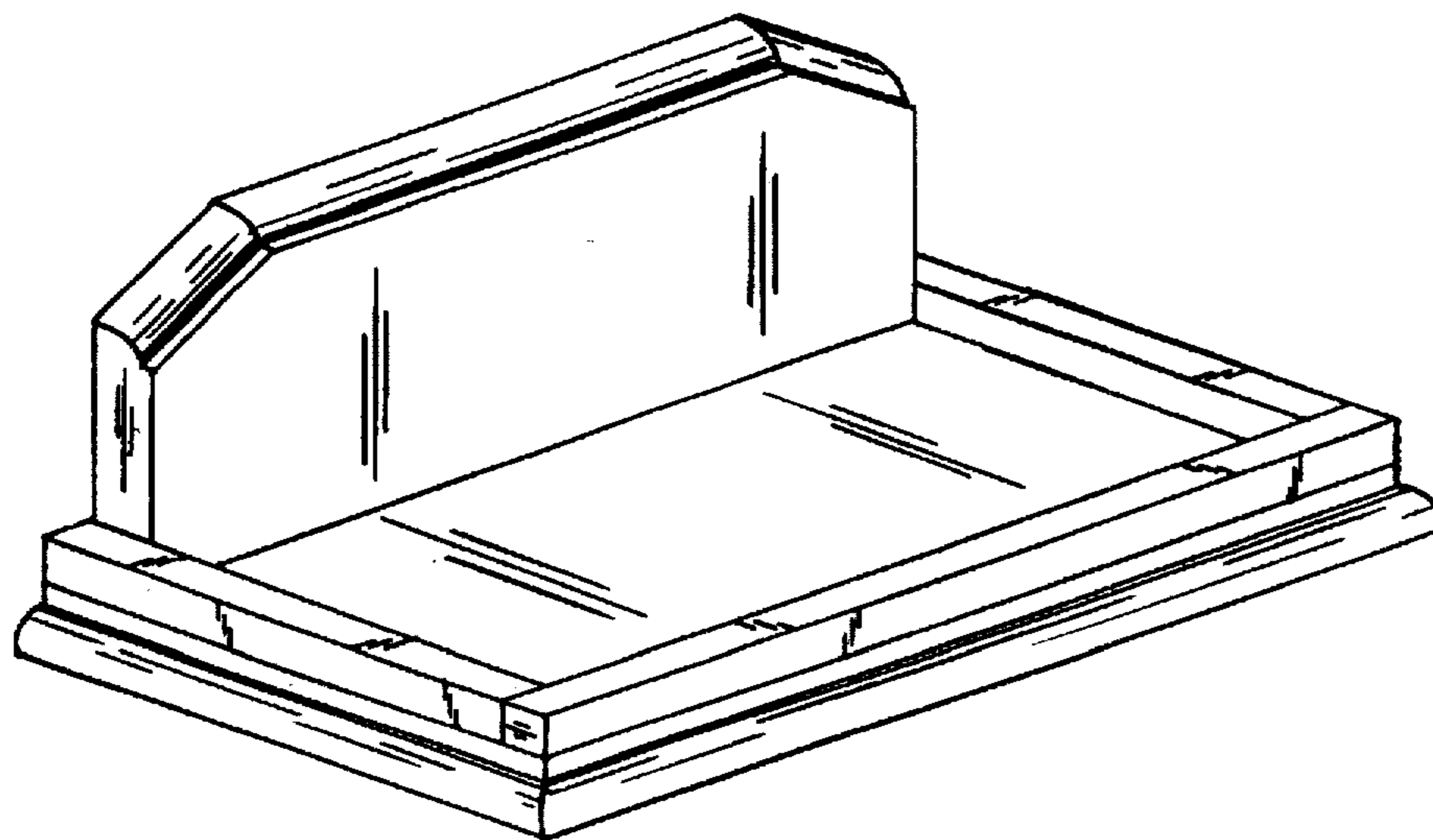
FIG. 1 is a perspective view of a table top organizer for condiment containers and napkins showing my new design; FIG. 2 is a left side elevational view thereof; FIG. 3 is a right side elevational view thereof; FIG. 4 is a front elevational view thereof; FIG. 5 is a top plan view thereof; FIG. 6 is a bottom plan view thereof; and, FIG. 7 is a rear elevation view thereof.

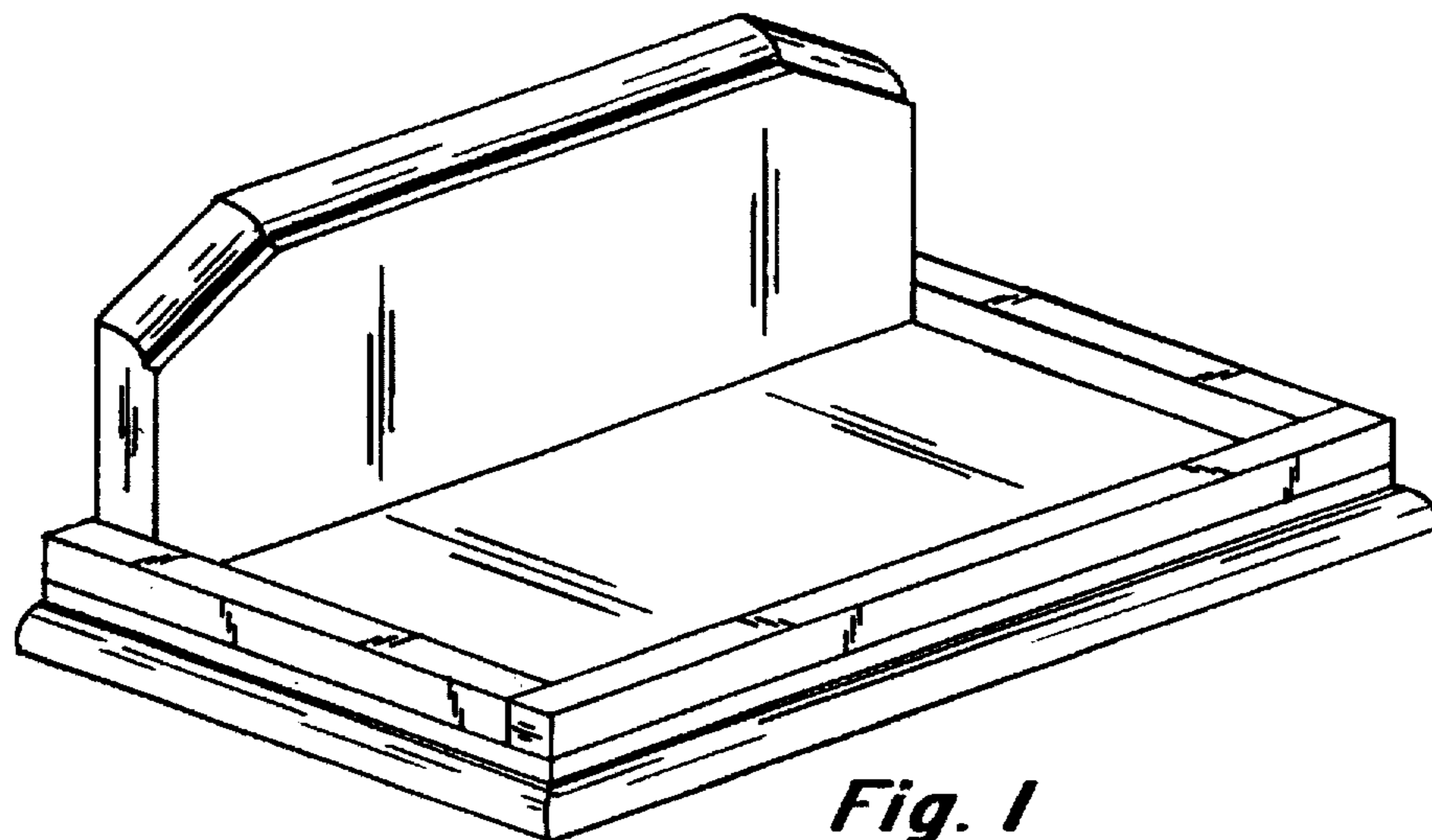
[56] **References Cited**

**U.S. PATENT DOCUMENTS**

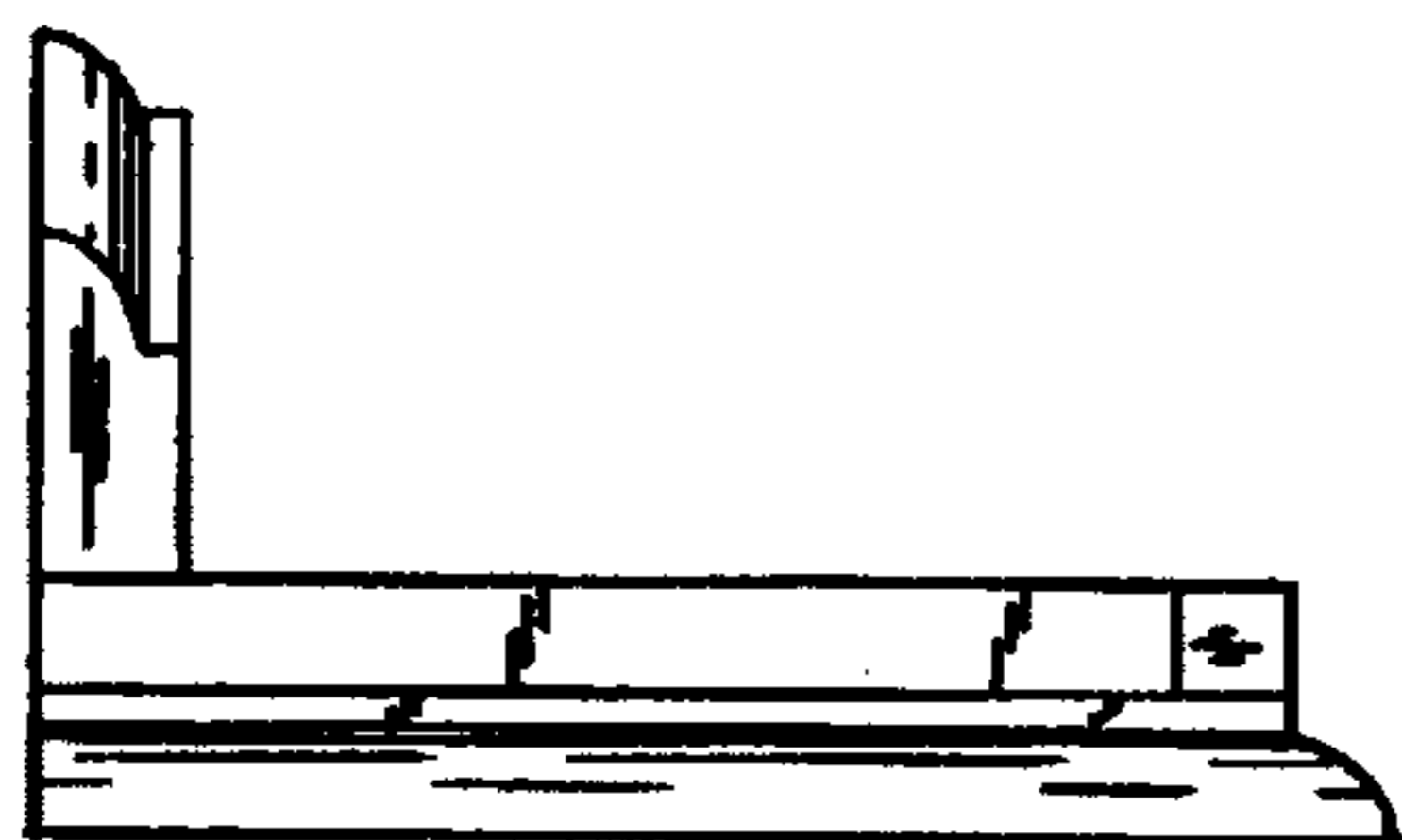
D. 55,266 5/1920 Fuller ..... D19/78 X

**1 Claim, 2 Drawing Sheets**

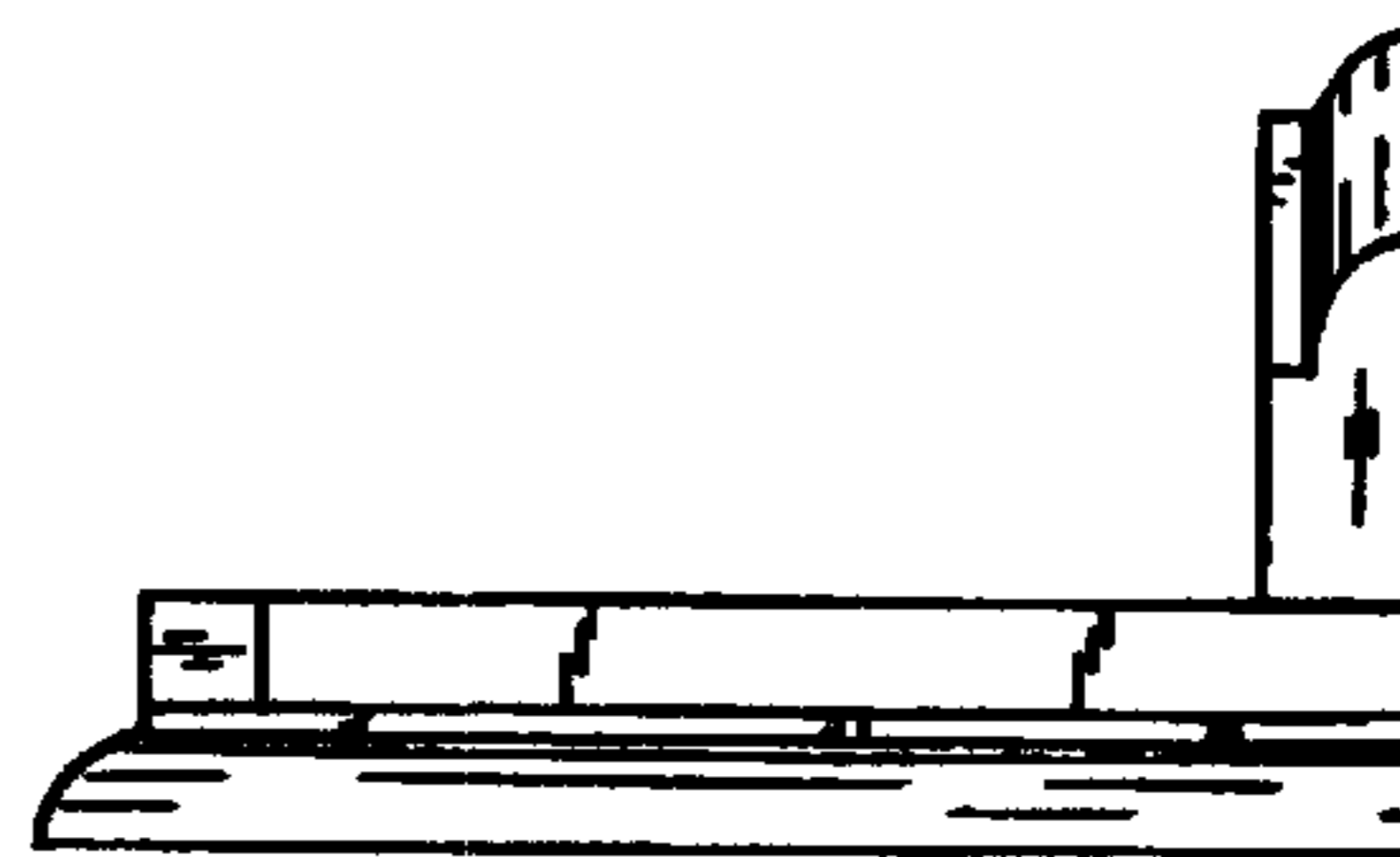




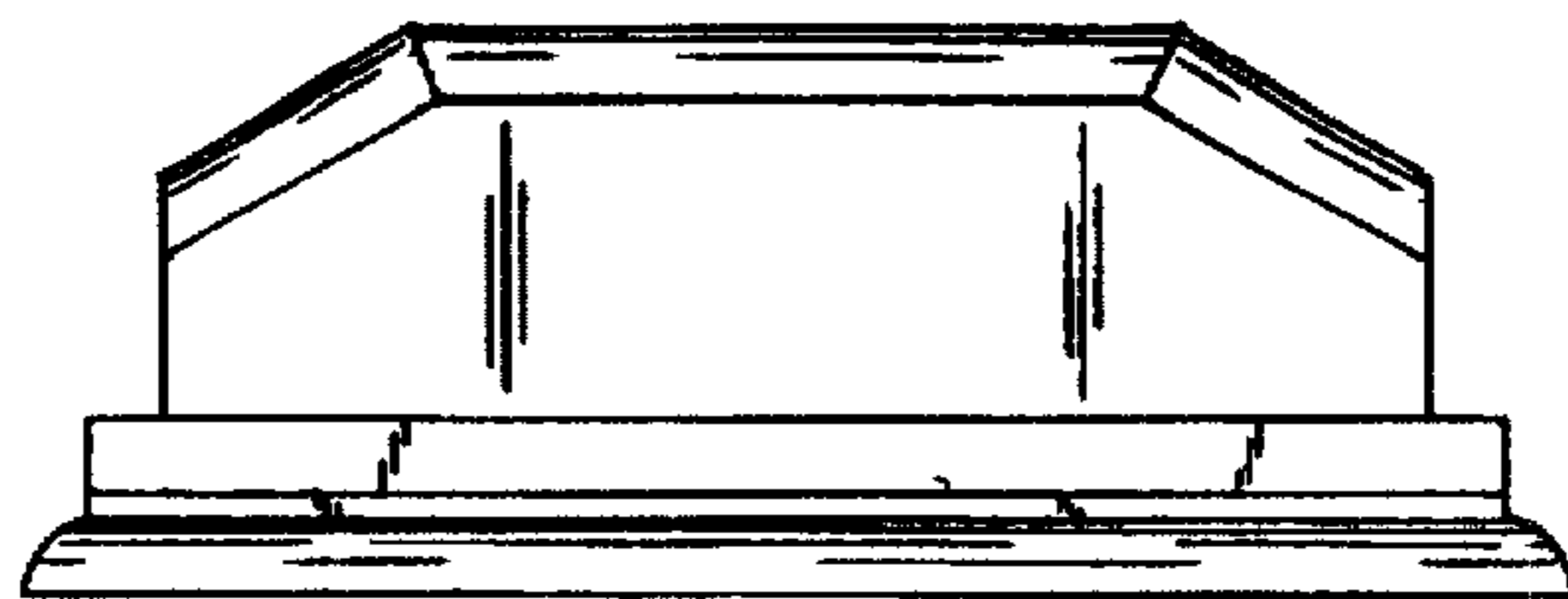
*Fig. 1*



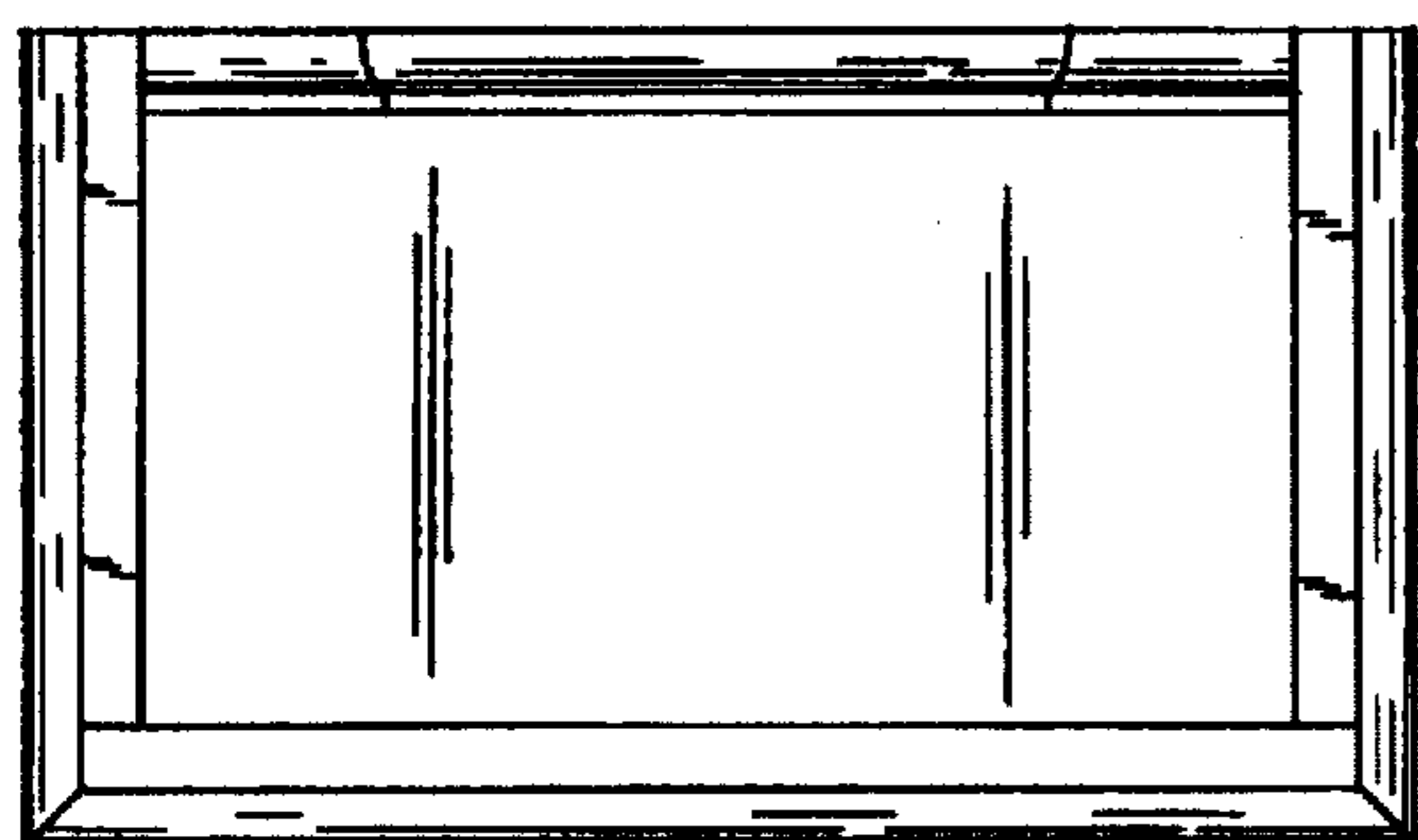
*Fig. 2*



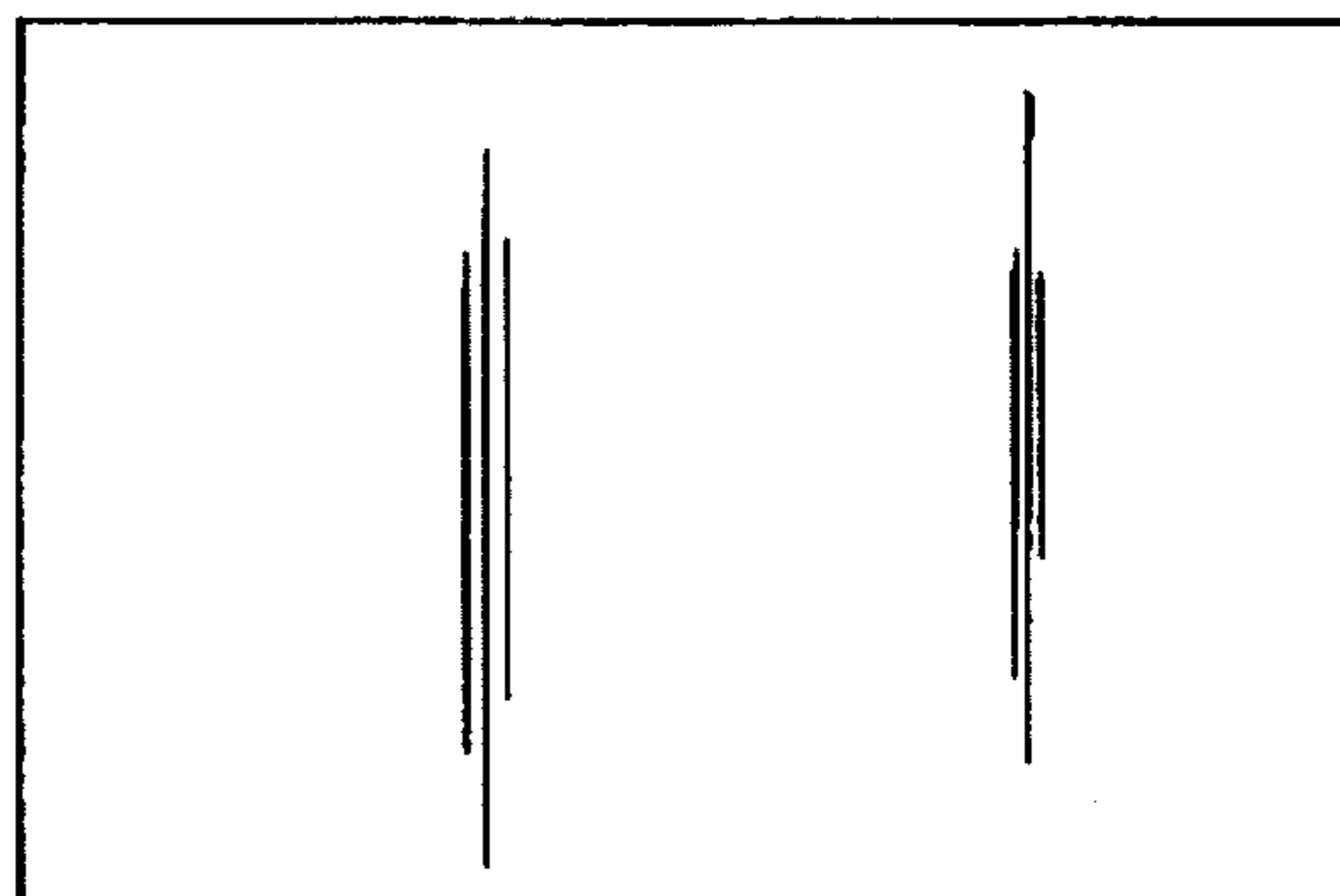
*Fig. 3*



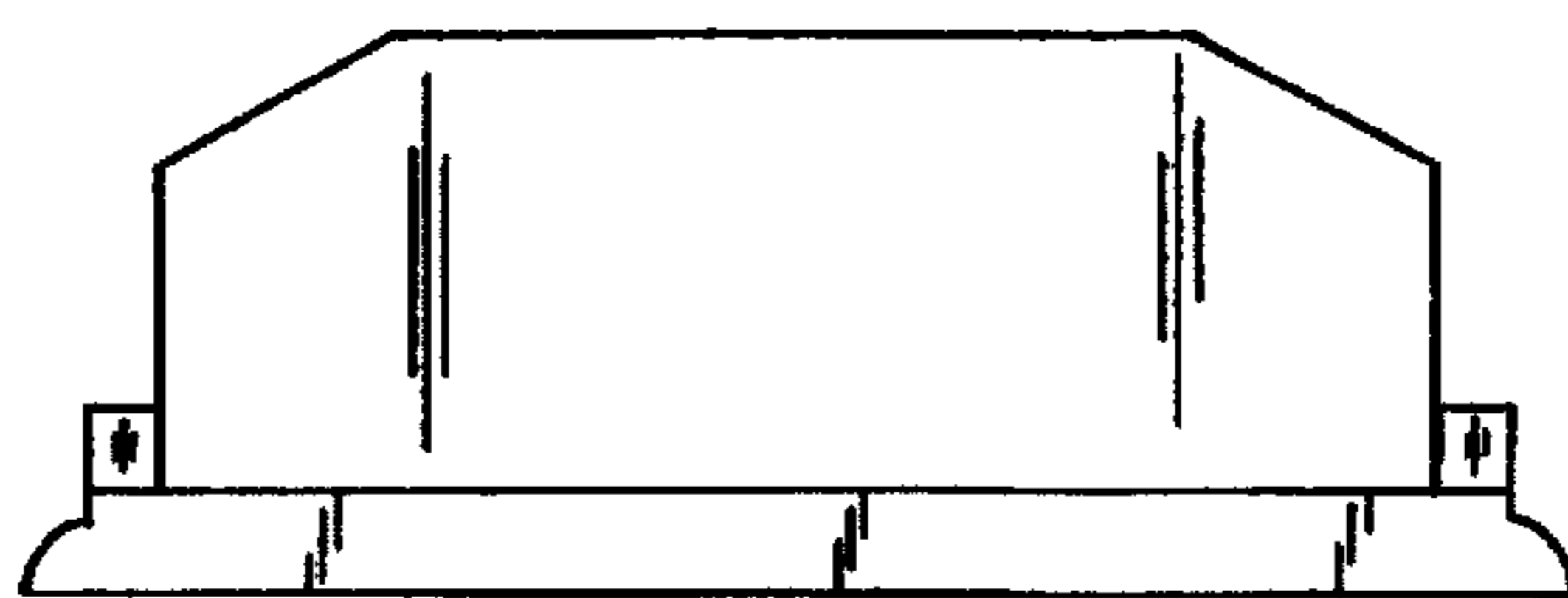
*Fig. 4*



*Fig. 5*



*Fig. 6*



*Fig. 7*