



US00D393982S

United States Patent [19]
Pulitano

[11] **Patent Number:** **Des. 393,982**

[45] **Date of Patent:** ****May 5, 1998**

[54] **TABLE TOP ORGANIZER FOR CONDIMENT CONTAINERS, MENUS AND NAPKINS**

[76] **Inventor:** **Frank Pulitano**, 163 Summer St., Stratford, Conn. 06497

[**] **Term:** **14 Years**

[21] **Appl. No.:** **72,500**

[22] **Filed:** **Jun. 19, 1997**

[51] **LOC (6) Cl.** **07-06**

[52] **U.S. Cl.** **D7/590; D7/601; D7/632; D19/90**

[58] **Field of Search** **D7/590, 601, 631, D7/632; D19/34.1, 34.2, 65, 75, 86, 90-92; 211/13.1, 43, 45, 49.1, 51, 71, 85.4, 126.1, 126.12**

[56] **References Cited**

U.S. PATENT DOCUMENTS

D. 55,266	5/1920	Fuller	D19/78 X
D. 156,670	12/1949	Runnels	D7/592
D. 324,155	2/1992	Hyman	D7/632
3,318,454	5/1967	Donlin	211/43

Primary Examiner—Terry A. Wallace
Attorney, Agent, or Firm—Haverstock, Garrett & Roberts

[57] **CLAIM**

The ornamental design for a table top organizer for condiment containers, menus and napkins, as shown and described.

DESCRIPTION

FIG. 1 is a perspective view of a table top organizer for condiment containers, menus and napkins showing my new design;

FIG. 2 is a left side elevational view thereof;

FIG. 3 is a right side elevational view thereof;

FIG. 4 is a front elevational view thereof;

FIG. 5 is a top plan view thereof;

FIG. 6 is a bottom plan view thereof;

FIG. 7 is a rear elevation view thereof;

FIG. 8 is a perspective view of an alternate embodiment of FIG. 1;

FIG. 9 is a left side elevational view of the alternate embodiment;

FIG. 10 is of a right side elevational view of the alternate embodiment;

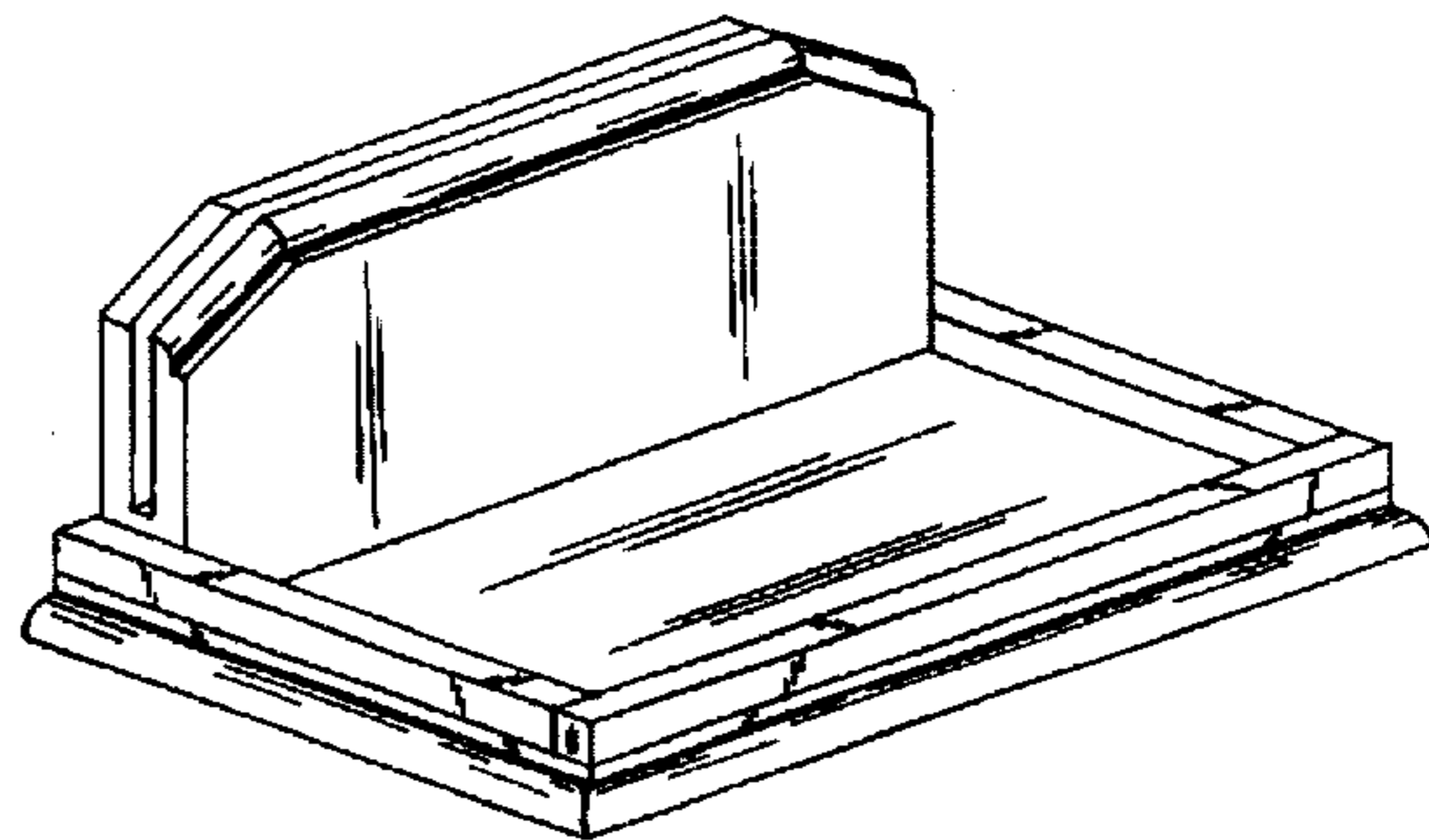
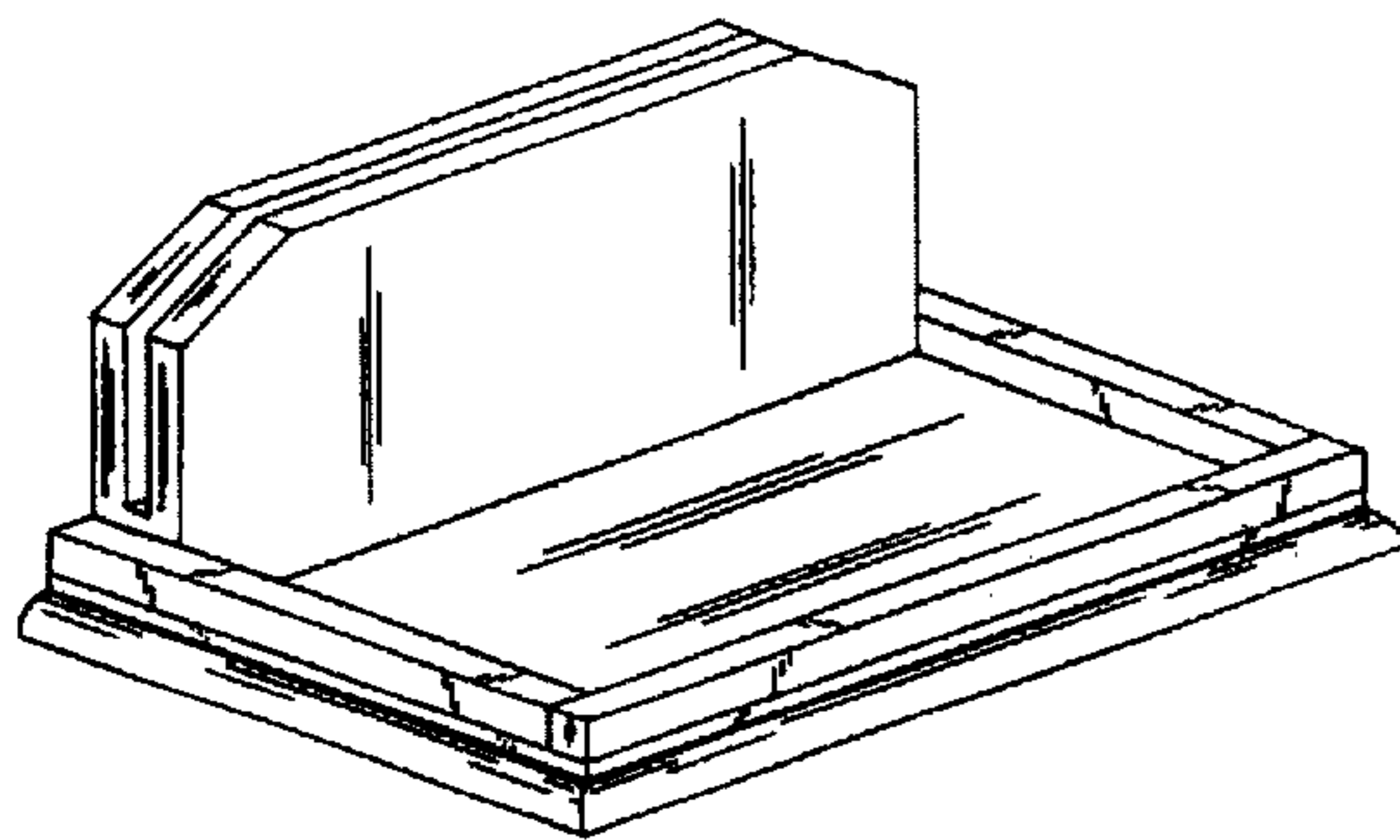
FIG. 11 is of a front elevational view of the alternate embodiment;

FIG. 12 is of a top plan view of the alternate embodiment;

FIG. 13 is of a bottom plan view of the alternate embodiment; and,

FIG. 14 is of a rear elevation view of the alternate embodiment.

1 Claim, 4 Drawing Sheets



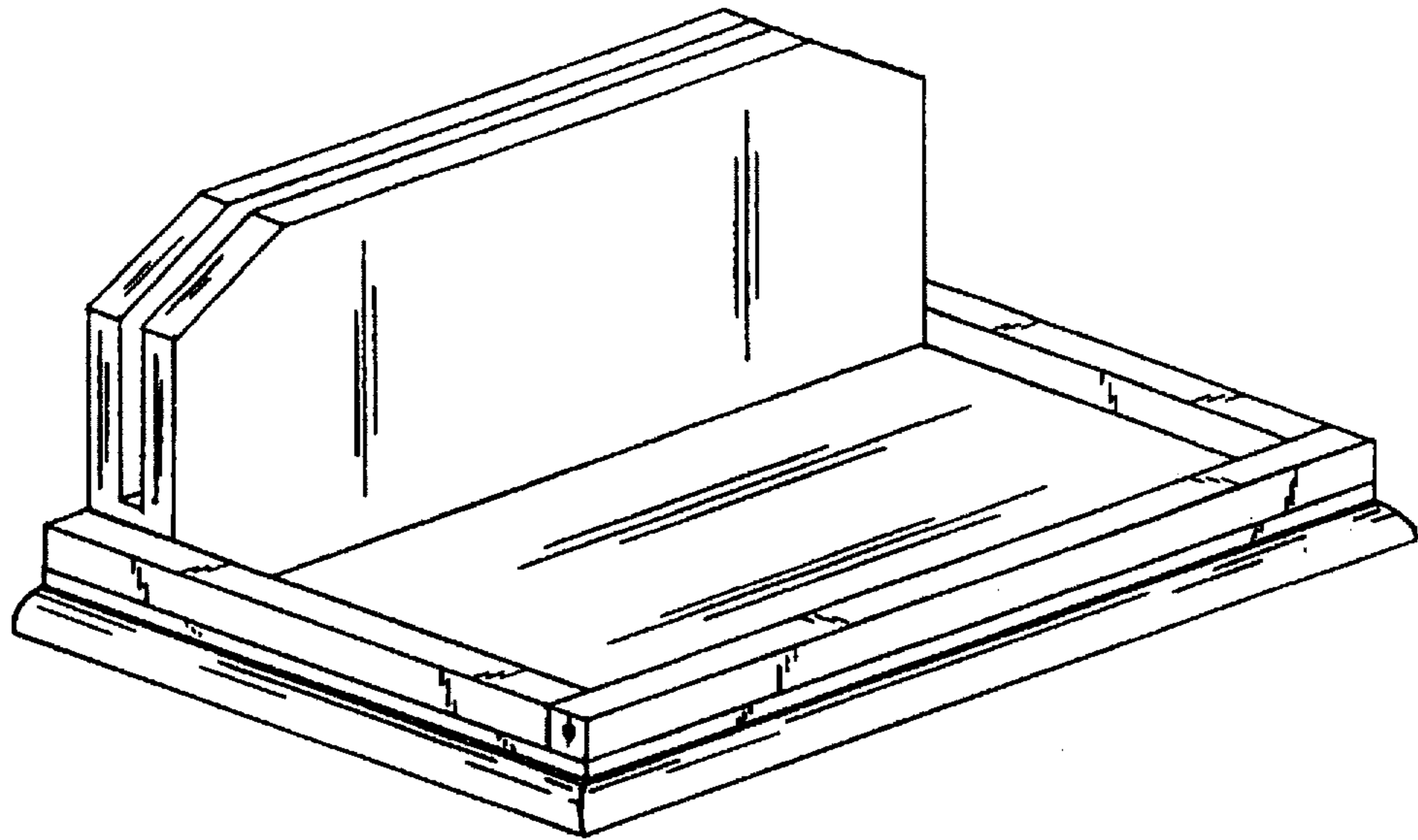


Fig. 1

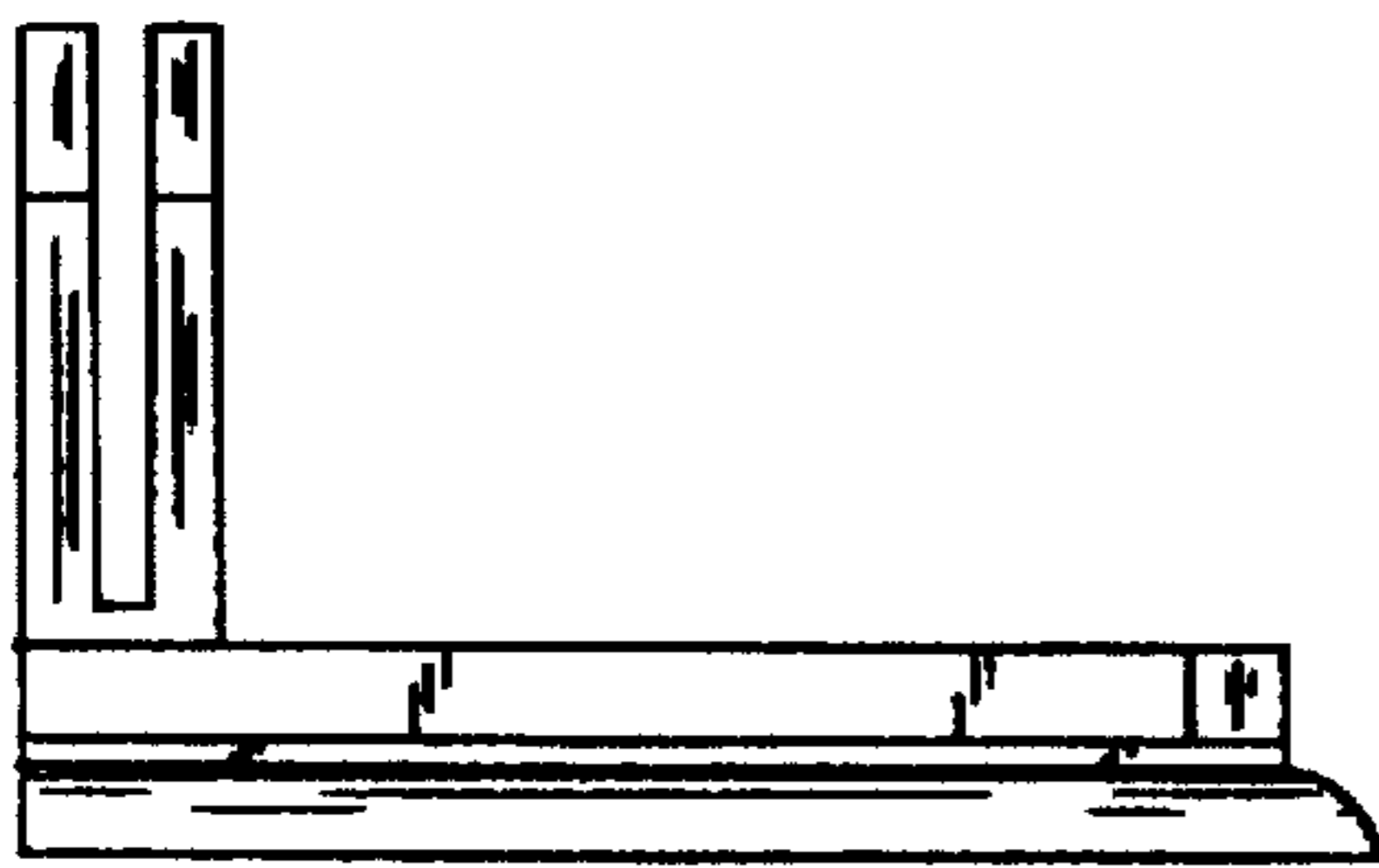


Fig. 2



Fig. 3

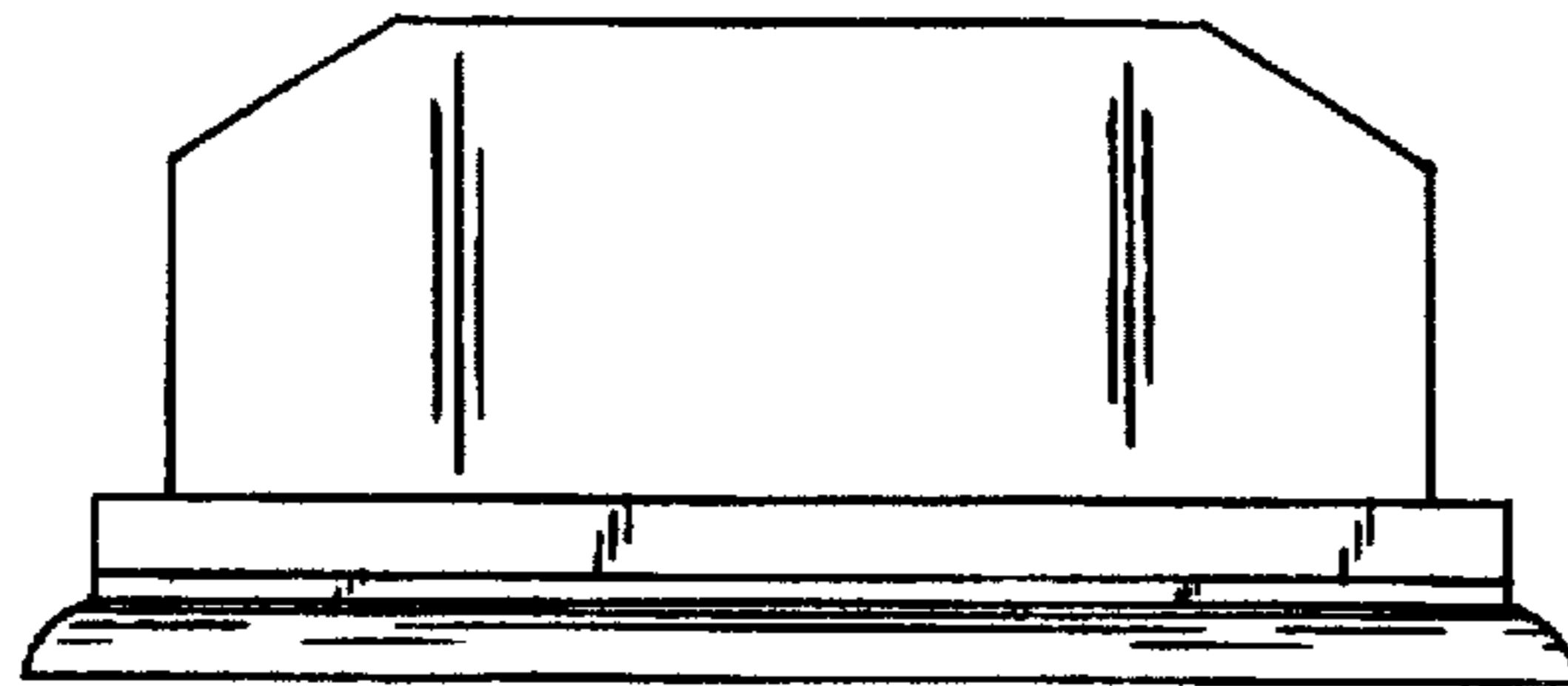


Fig. 4

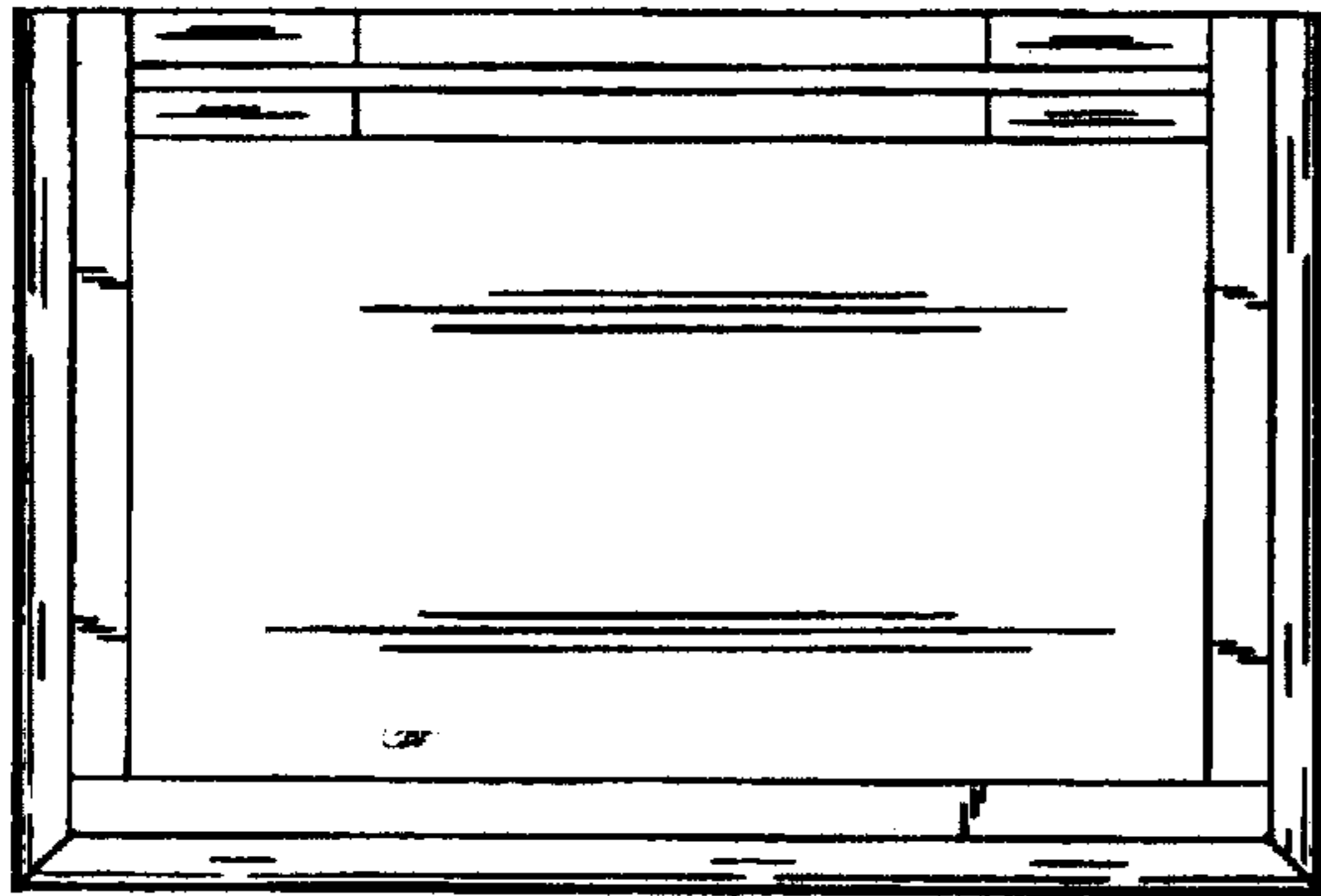


Fig. 5

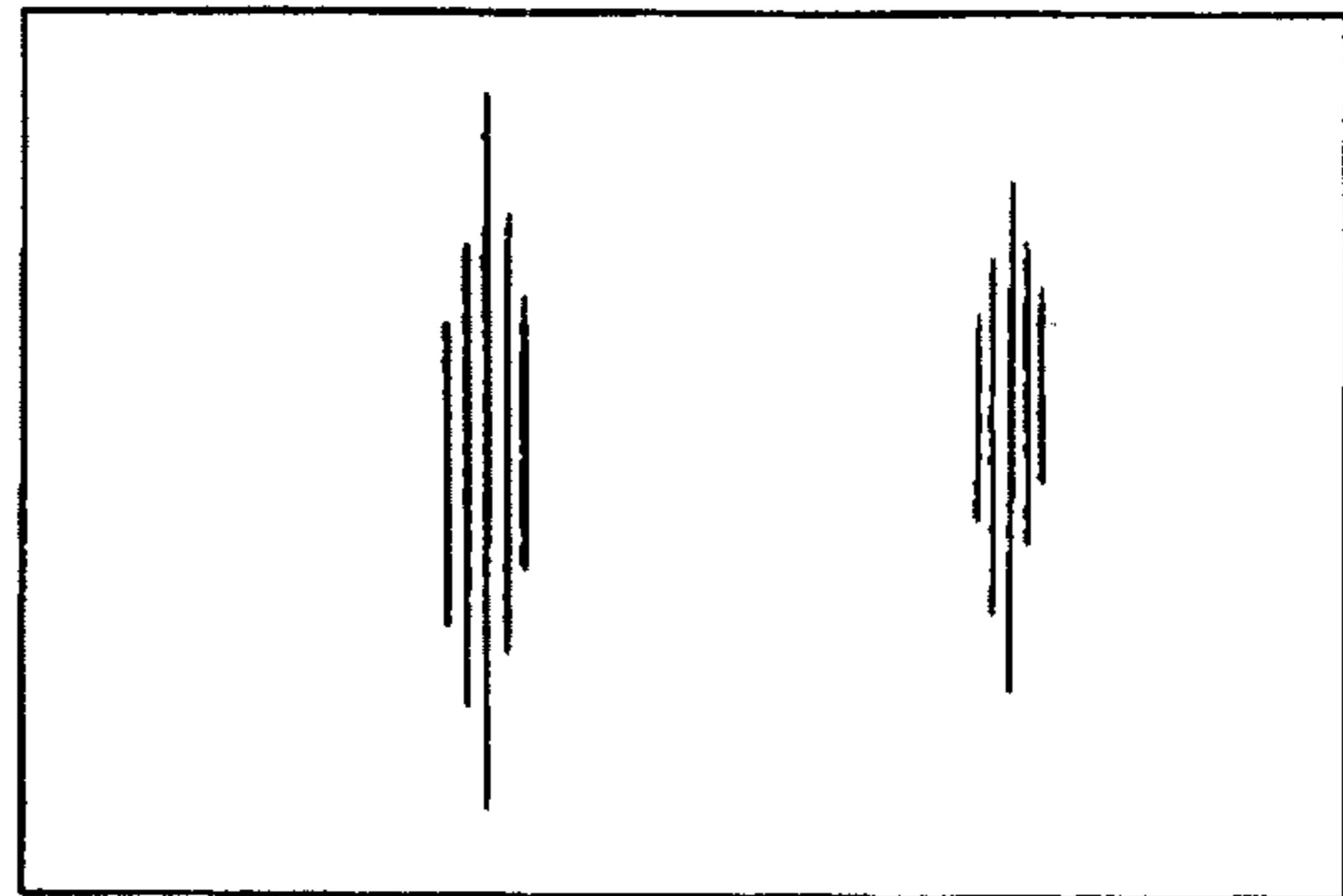


Fig. 6

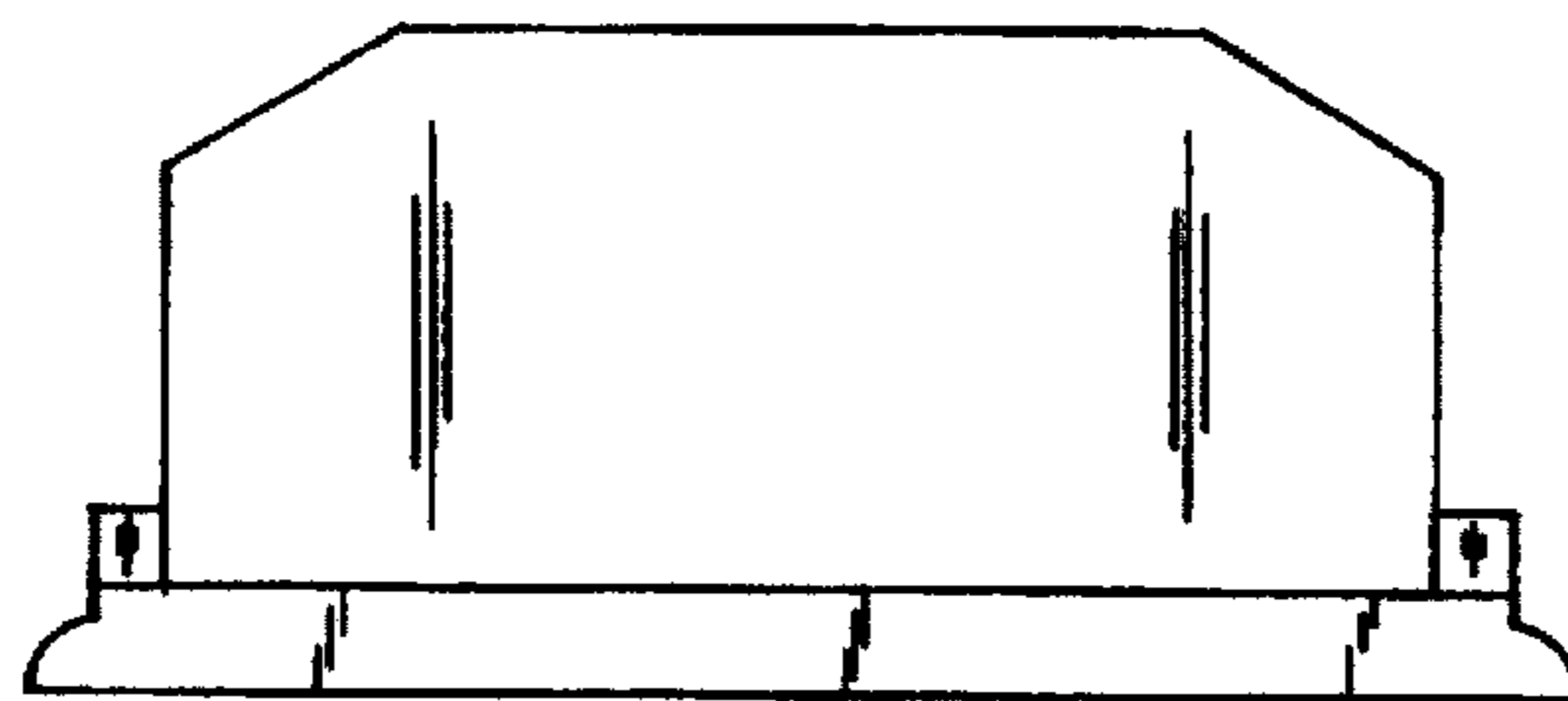


Fig. 7

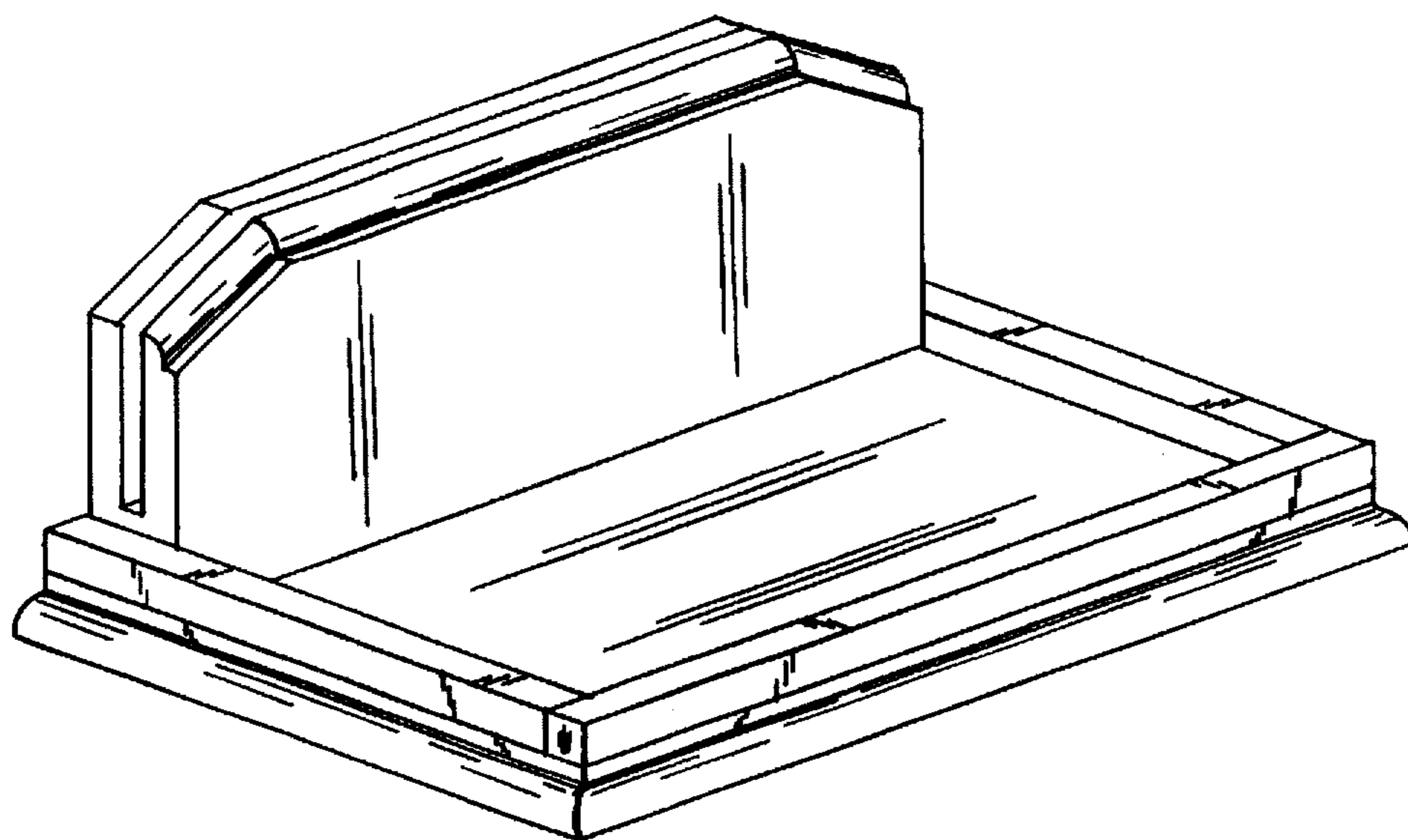


Fig. 8



Fig. 9

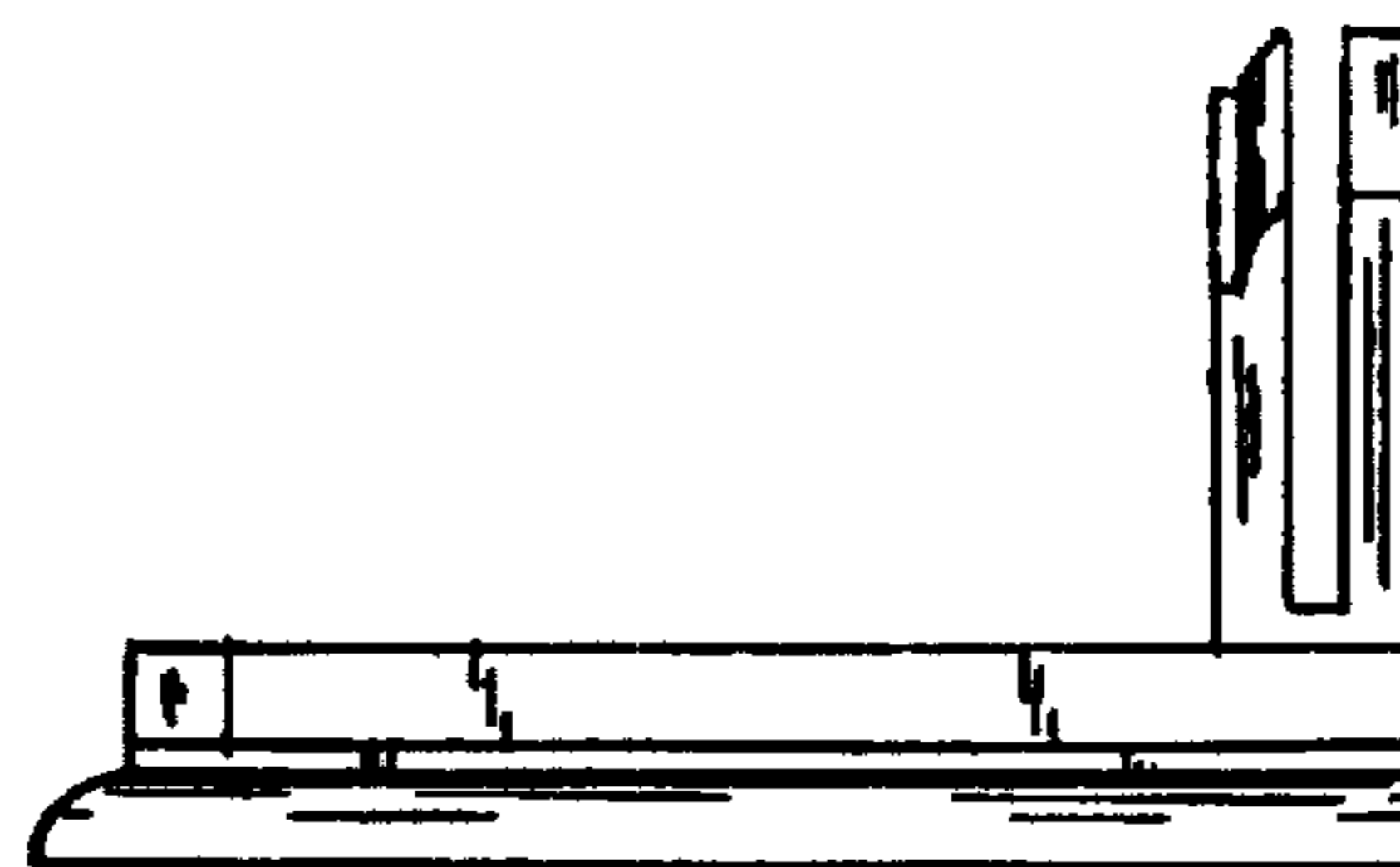


Fig. 10

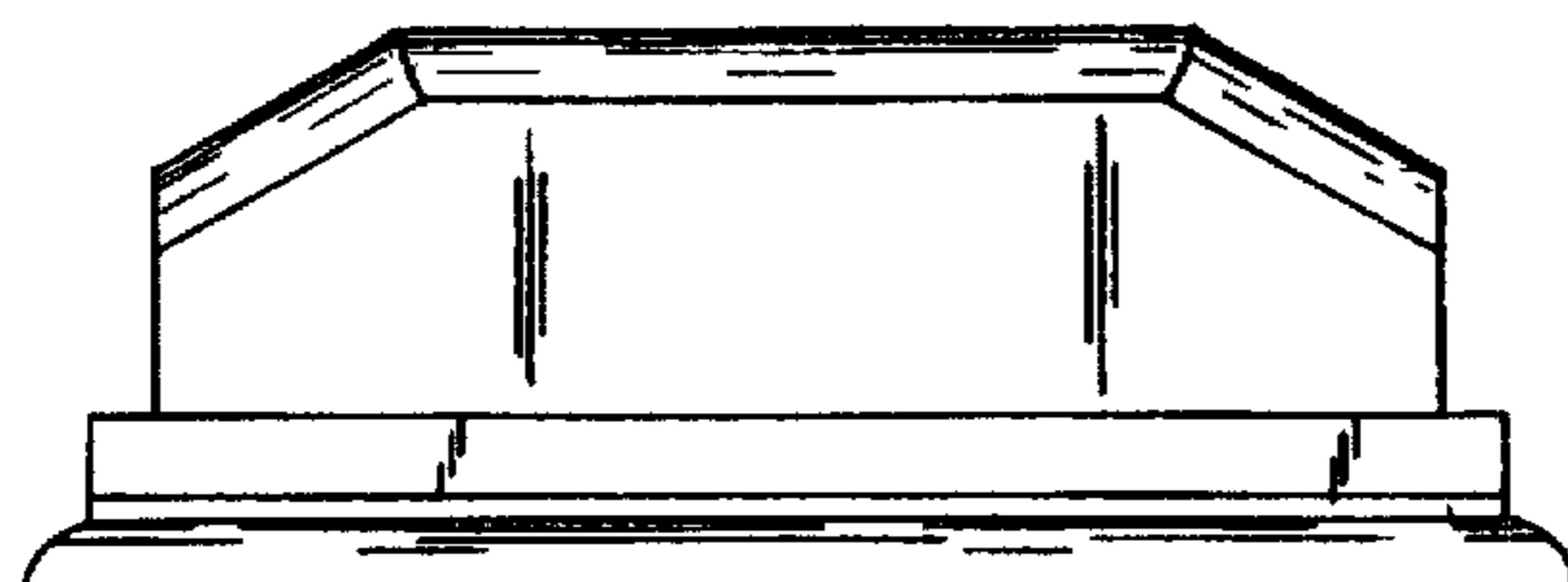


Fig. 11

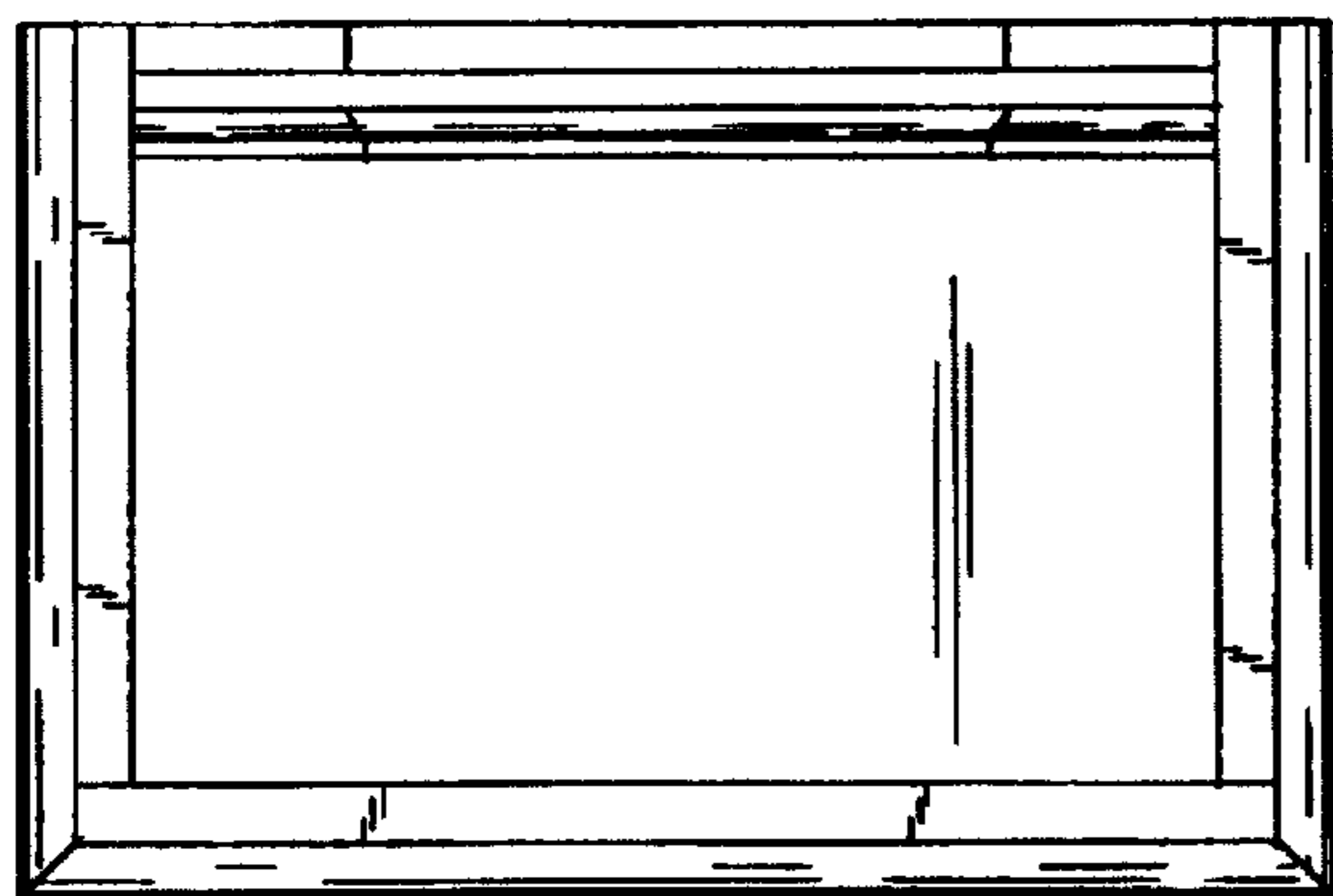


Fig. 12

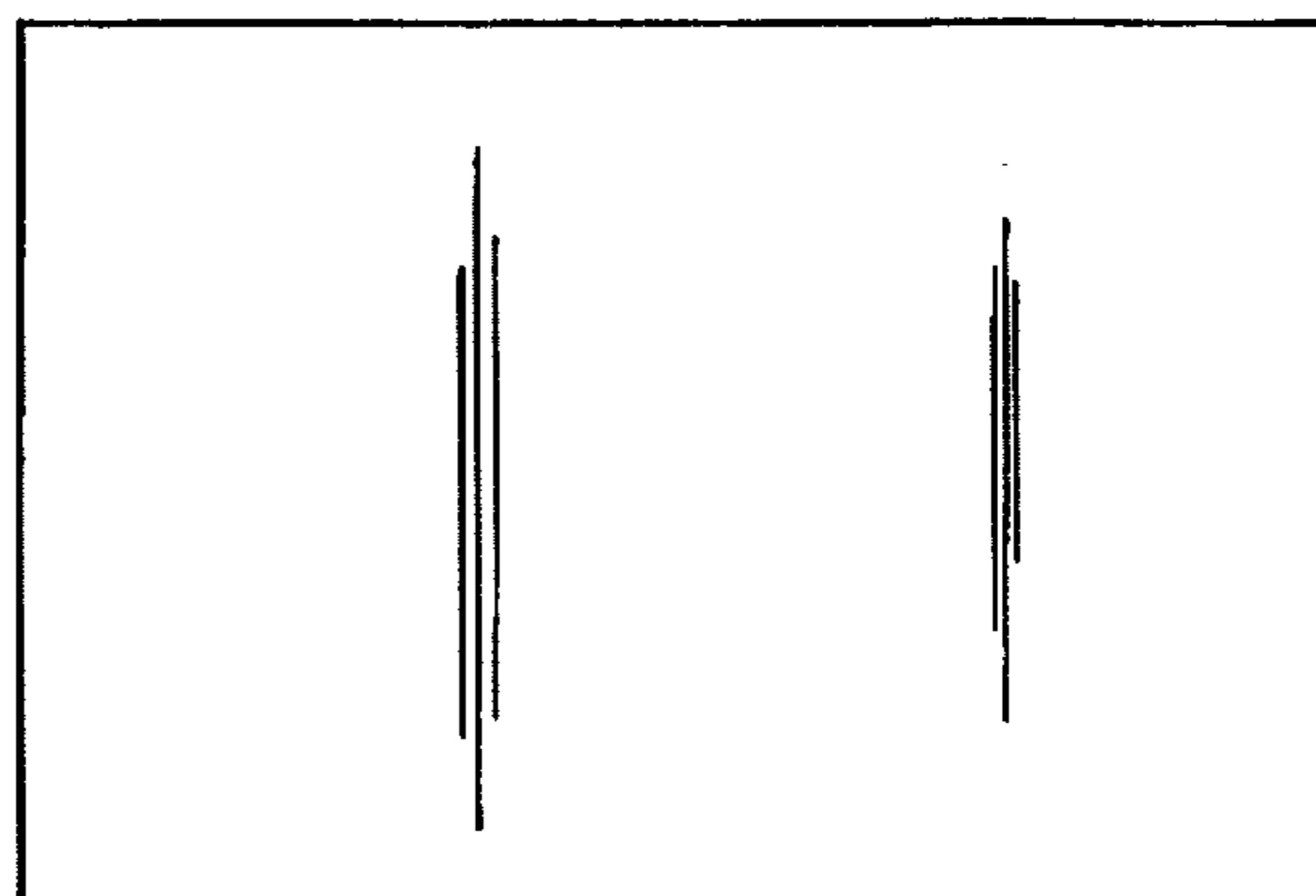


Fig. 13

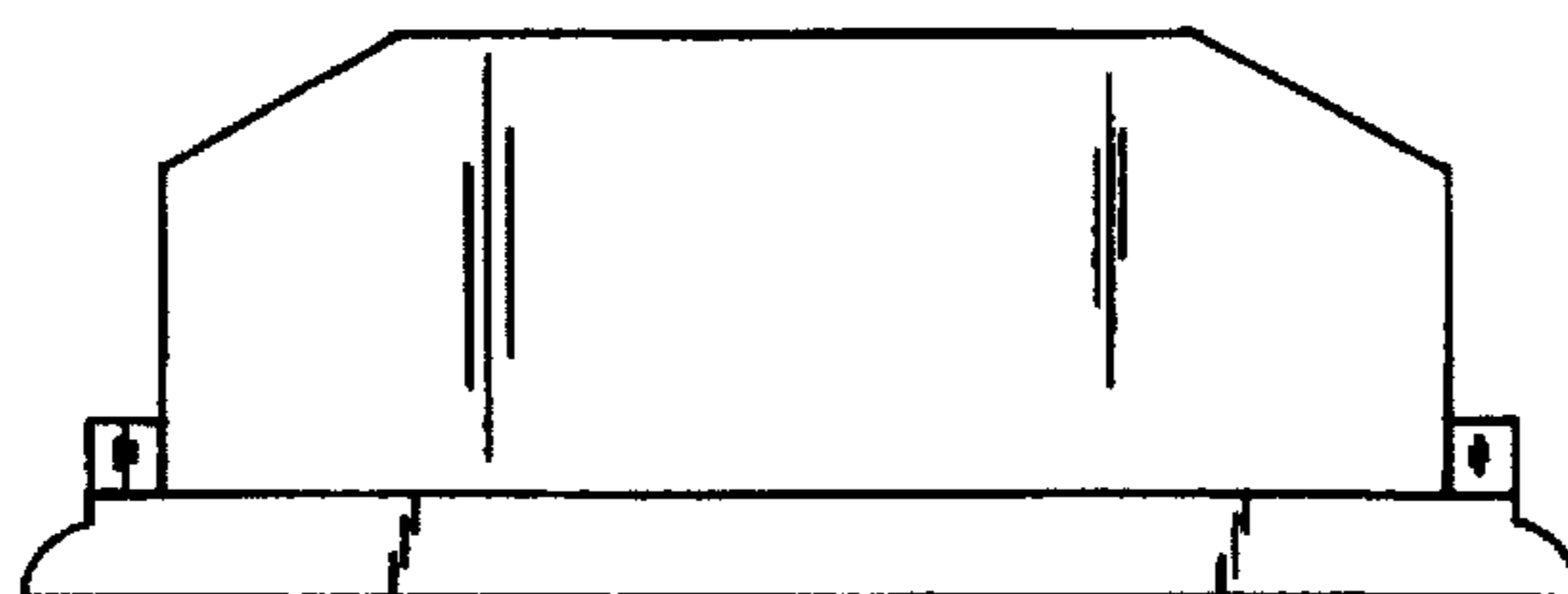


Fig. 14