



US00D393979S

United States Patent [19]
Graat

[11] **Patent Number: Des. 393,979**

[45] **Date of Patent: **May 5, 1998**

[54] **COMMERCIAL BAKING OVEN DOOR**

D. 366,590 1/1996 Reddick D7/348
5,490,451 2/1996 Nersesian 99/421 V

[75] **Inventor: Kenneth T. Graat, Woodinville, Wash.**

Primary Examiner—Ruth McInroy

[73] **Assignee: The Lucks Company, Kent, Wash.**

Attorney, Agent, or Firm—Lane Powell Spears Lubersky LLP; David T. Hunter

[**] **Term: 14 Years**

[57] **CLAIM**

[21] **Appl. No.: 70,837**

The ornamental design for a commercial baking oven door, as shown and described.

[22] **Filed: May 16, 1997**

DESCRIPTION

[51] **LOC (6) Cl. 07-02**

[52] **U.S. Cl. D7/405; D7/348**

FIG. 1 is a perspective view of a commercial baking oven door showing my new design;

[58] **Field of Search D7/323, 347-349,**

D7/402, 405; 62/652; D6/471; 126/19 R,
20, 20.1, 21 R, 21 A, 273 R

FIG. 2 is a bottom plan view thereof;

FIG. 3 is a top plan view thereof;

FIG. 4 is a left side elevational view thereof;

FIG. 5 is a front elevational view thereof; and,

FIG. 6 is a right side elevational view thereof.

[56] **References Cited**

U.S. PATENT DOCUMENTS

The broken lines showing of the commercial baking oven housing in FIGS. 1-6 are illustrative of the environmental structure only and form no part of the claimed design.

D. 99,021	3/1936	Hanson	D7/347
D. 153,992	5/1949	Stammler	D7/348
D. 258,886	4/1981	Gaskins	D7/348
D. 279,953	8/1985	Willett	D7/338
D. 365,828	1/1996	Lacewell et al.	D6/471

1 Claim, 2 Drawing Sheets

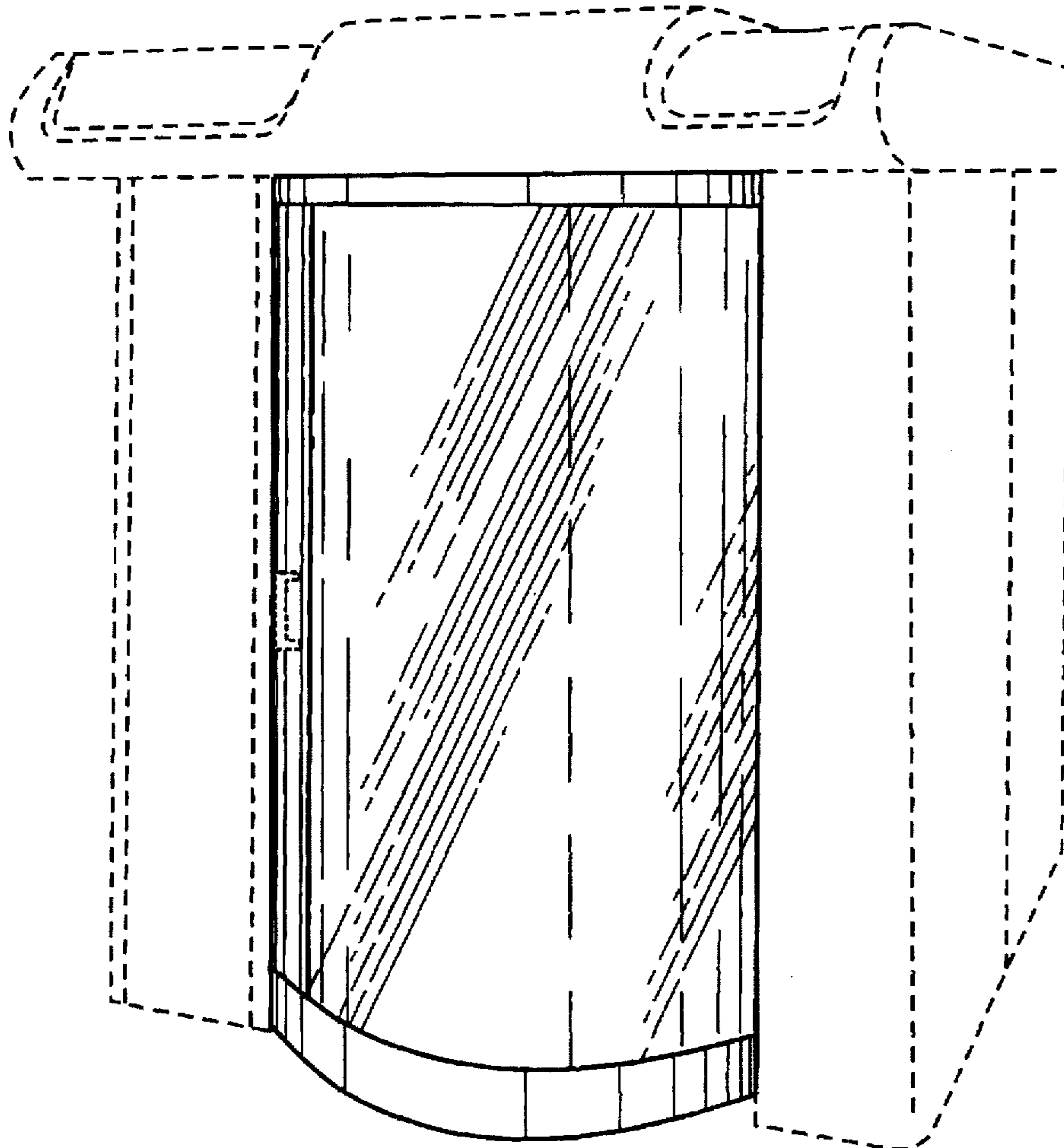


Fig. 1

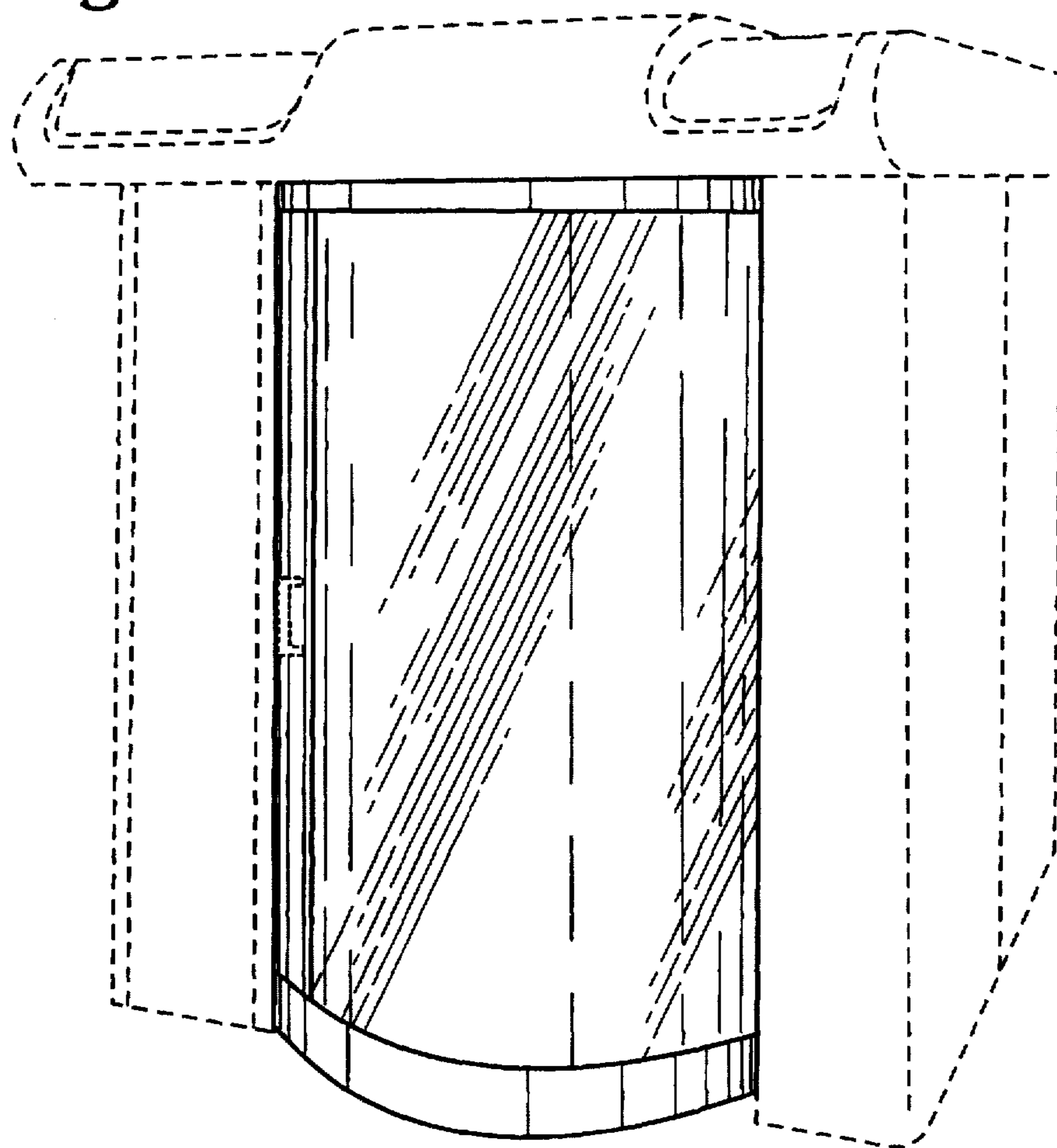


Fig. 2

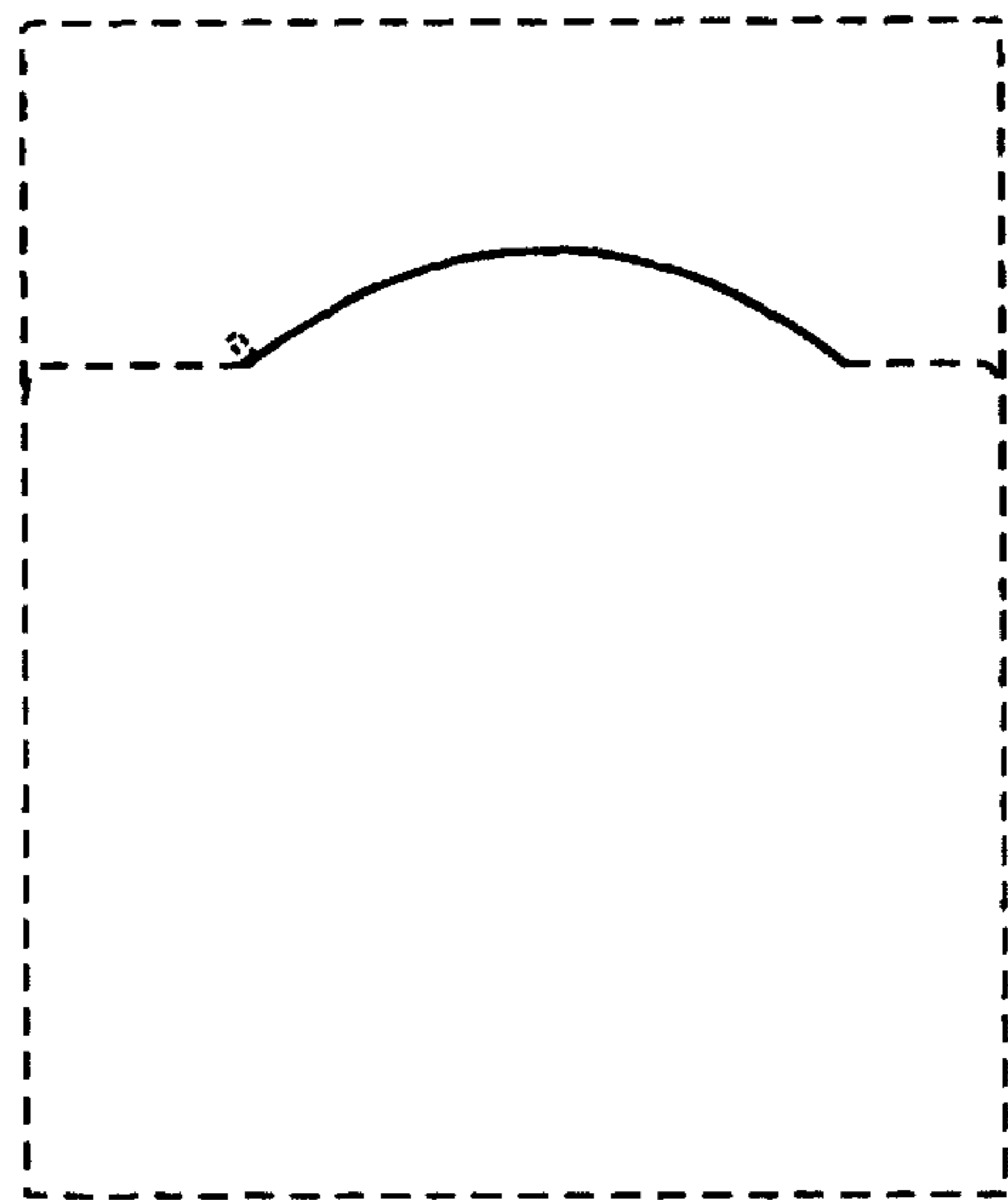


Fig. 3

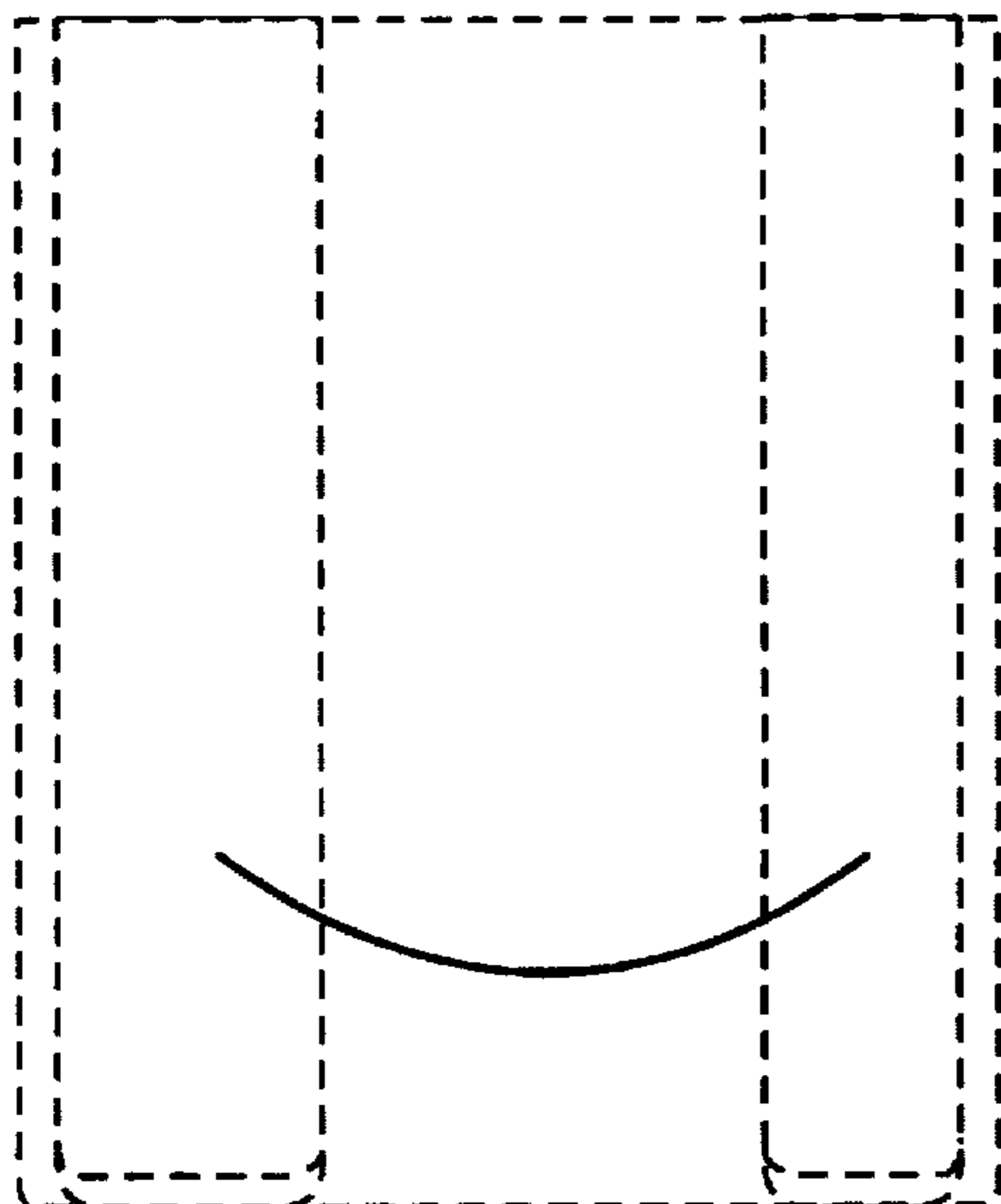


Fig. 4

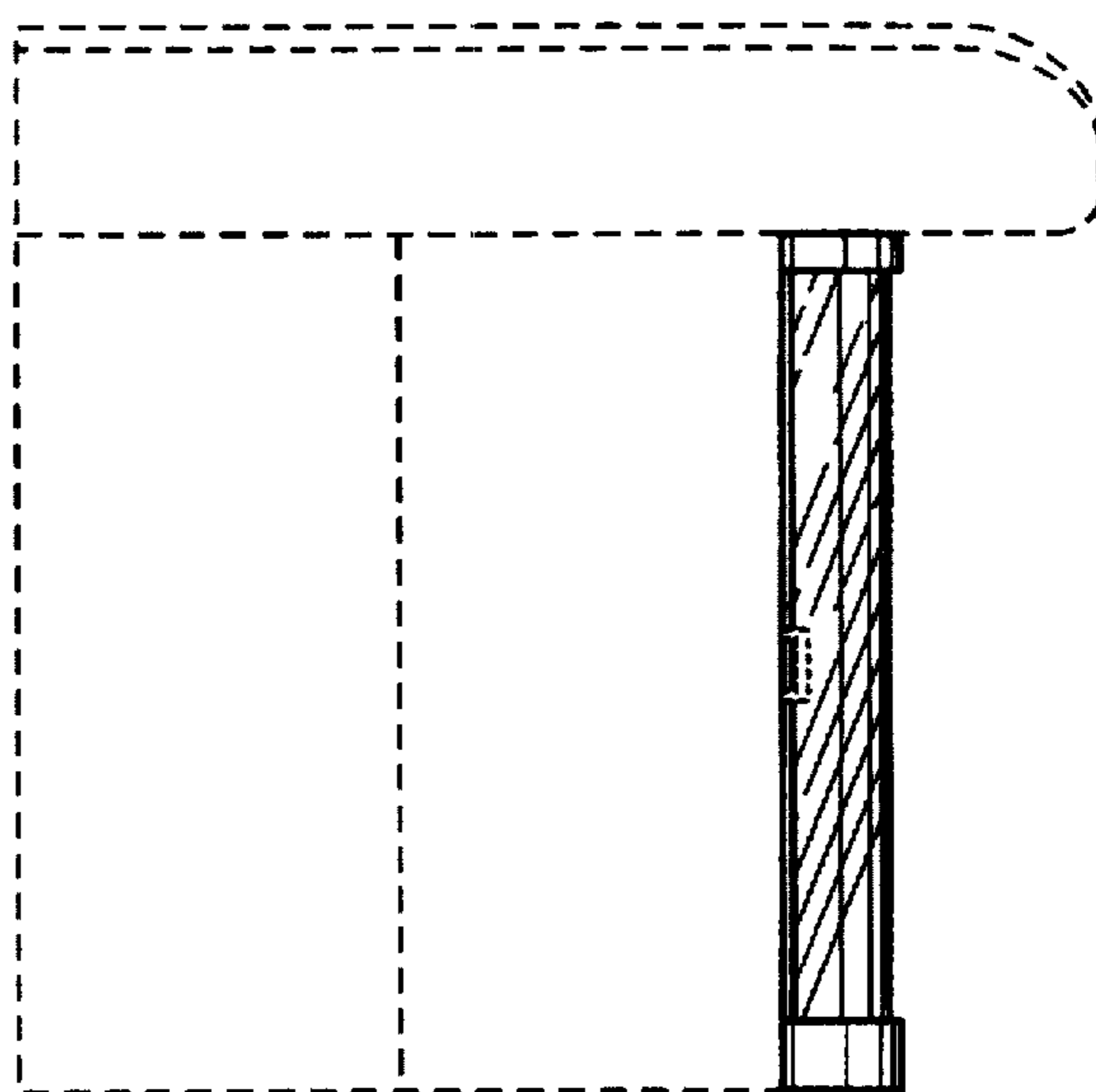


Fig. 5

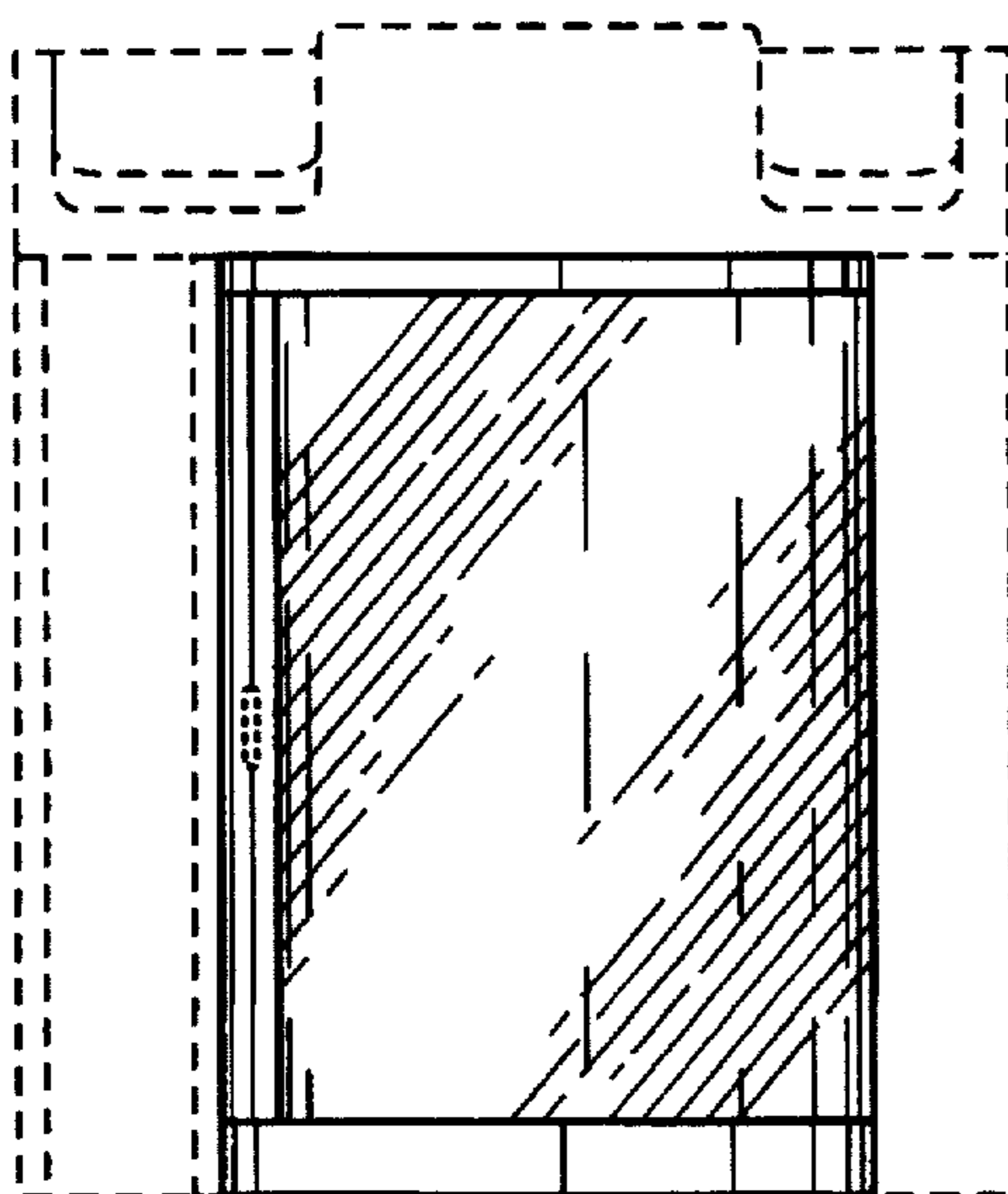


Fig. 6

