



US00D393971S

United States Patent [19]
Curry

[11] **Patent Number: Des. 393,971**

[45] **Date of Patent: **May 5, 1998**

[54] **FOUR COLUMN PACKET DISPENSER**

5,295,608 3/1994 Blasko et al. 312/60

[76] **Inventor: John C. Curry, P.O. Box 427, Port Richey, Fla. 34673-0427**

*Primary Examiner—Terry A. Wallace
Attorney, Agent, or Firm—Stanley M. Miller*

[**] **Term: 14 Years**

[57] **CLAIM**

[21] **Appl. No.: 72,667**

The ornamental design for a four column packet dispenser, as shown and described.

[22] **Filed: Jun. 23, 1997**

DESCRIPTION

[51] **LOC (6) Cl. 06-04**

[52] **U.S. Cl. D6/515**

[58] **Field of Search** D7/589, 590; D6/408, D6/470, 515-517; 211/74, 49.1, 50; 312/35, 42, 50, 60; 221/92, 282

FIG. 1 is a top plan view of a four column packet dispenser, showing my new design;

FIG. 2 is a front elevational view thereof;

FIG. 3 is a left side elevational view thereof;

FIG. 4 is a bottom plan view thereof;

FIG. 5 is a right side elevational view thereof;

FIG. 6 is a rear elevational view thereof;

FIG. 7 is an exploded right side elevational view thereof; and,

FIG. 8 is a perspective view thereof.

[56] **References Cited**

U.S. PATENT DOCUMENTS

D. 260,955	9/1981	Schuler et al.	D6/408
D. 309,224	7/1990	Rabin	D6/408
D. 352,855	11/1994	Wolff	D6/515
2,805,111	9/1957	Jarnot	312/42

1 Claim, 2 Drawing Sheets

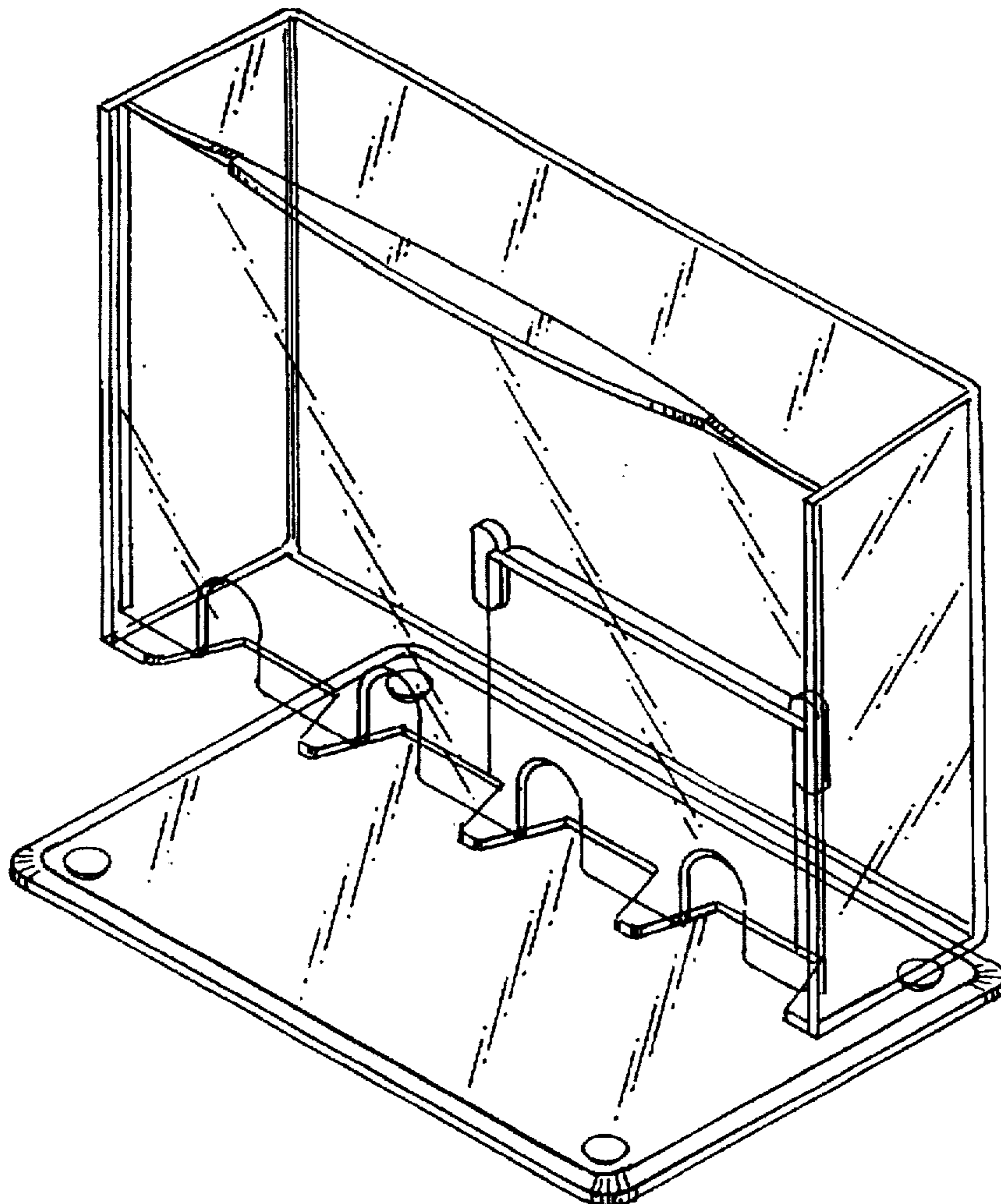


Fig. 1

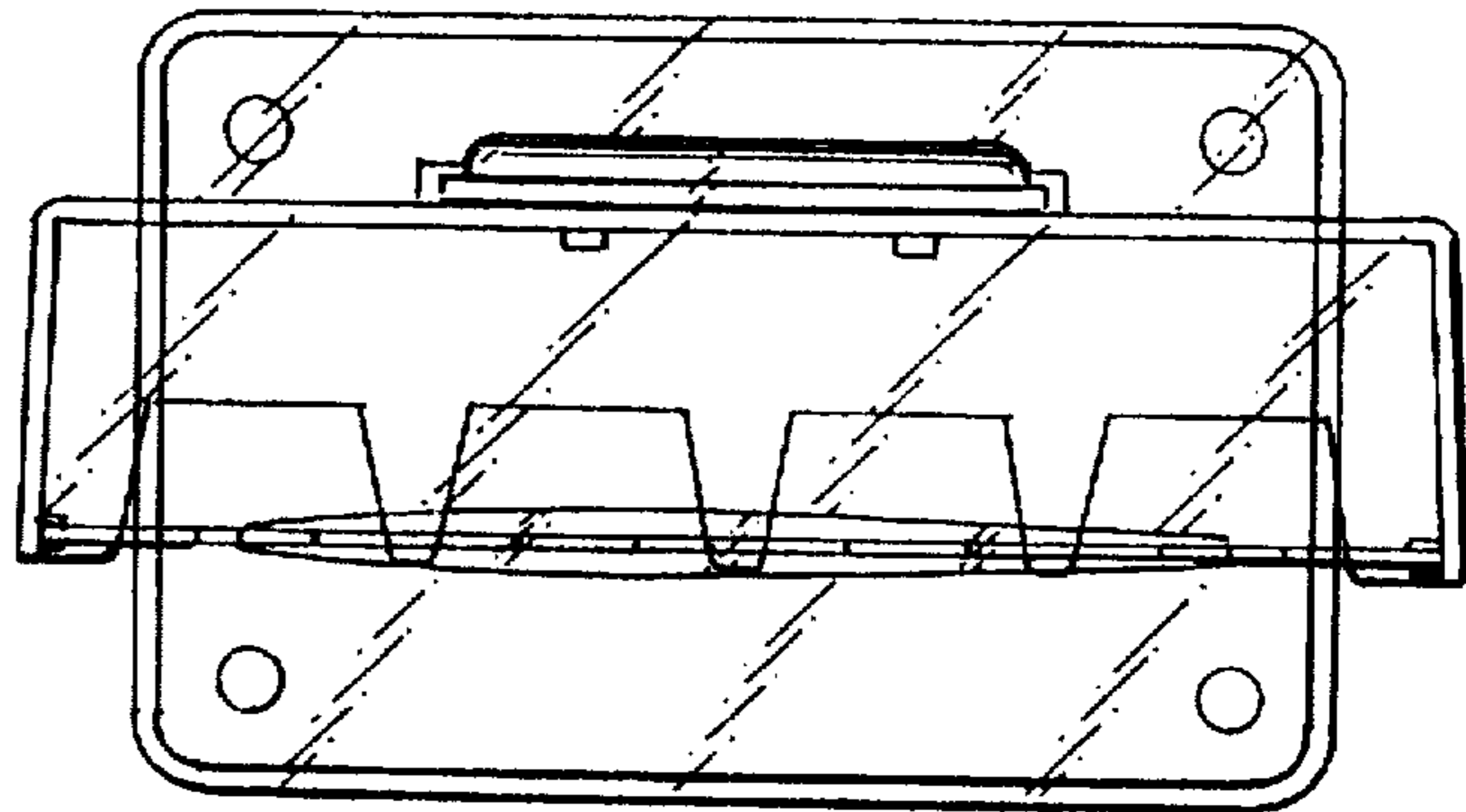


Fig. 3

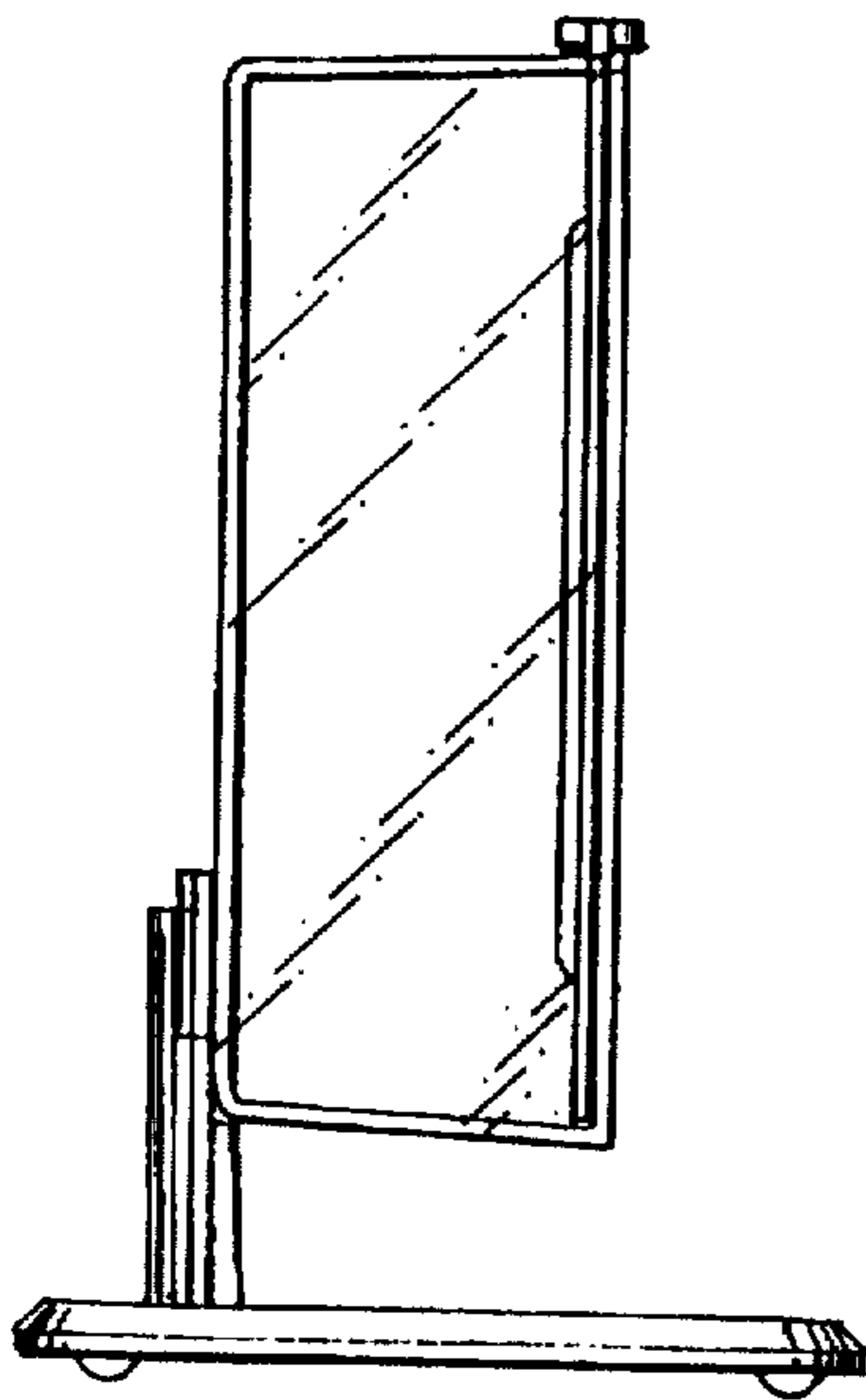


Fig. 2

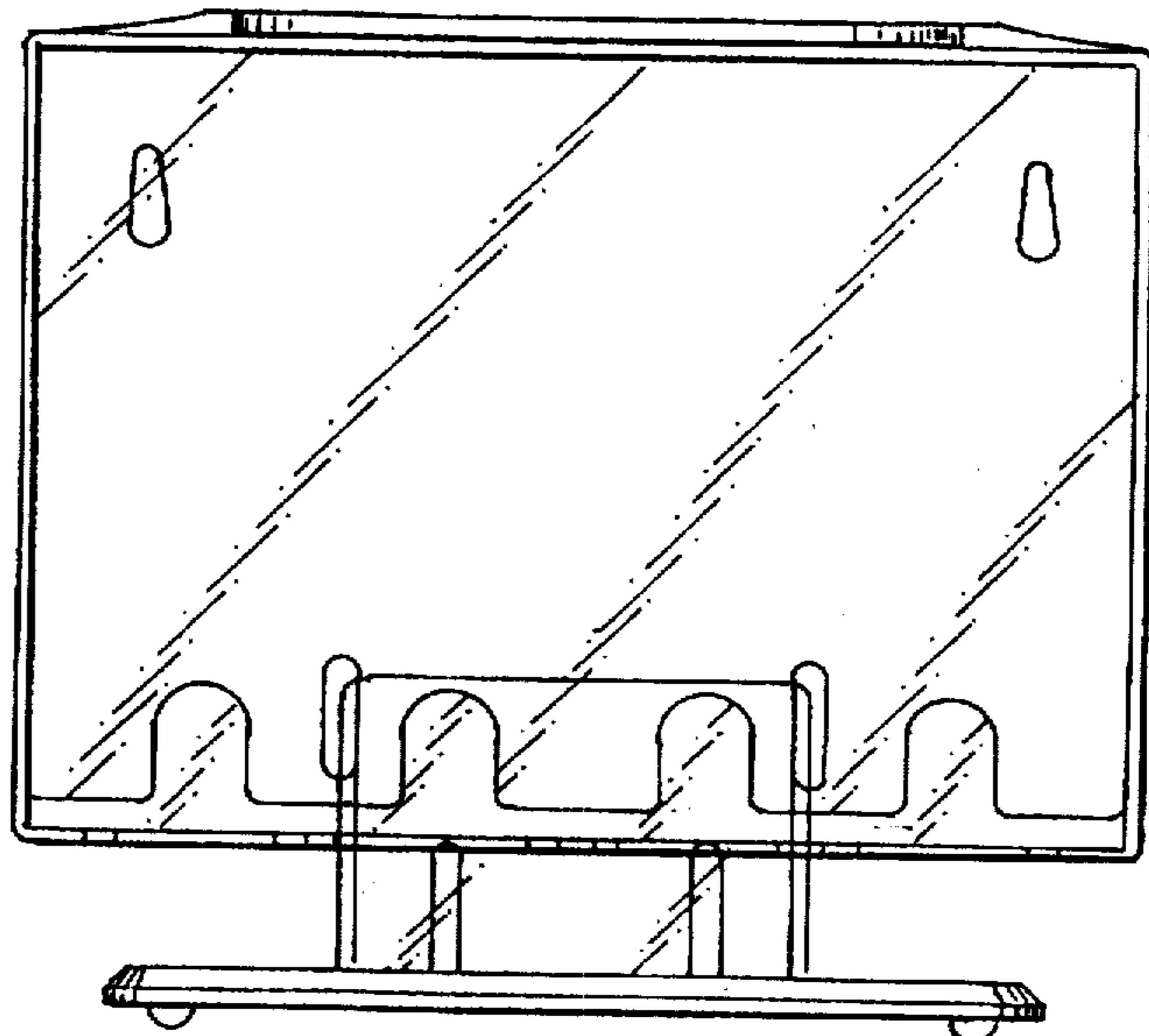
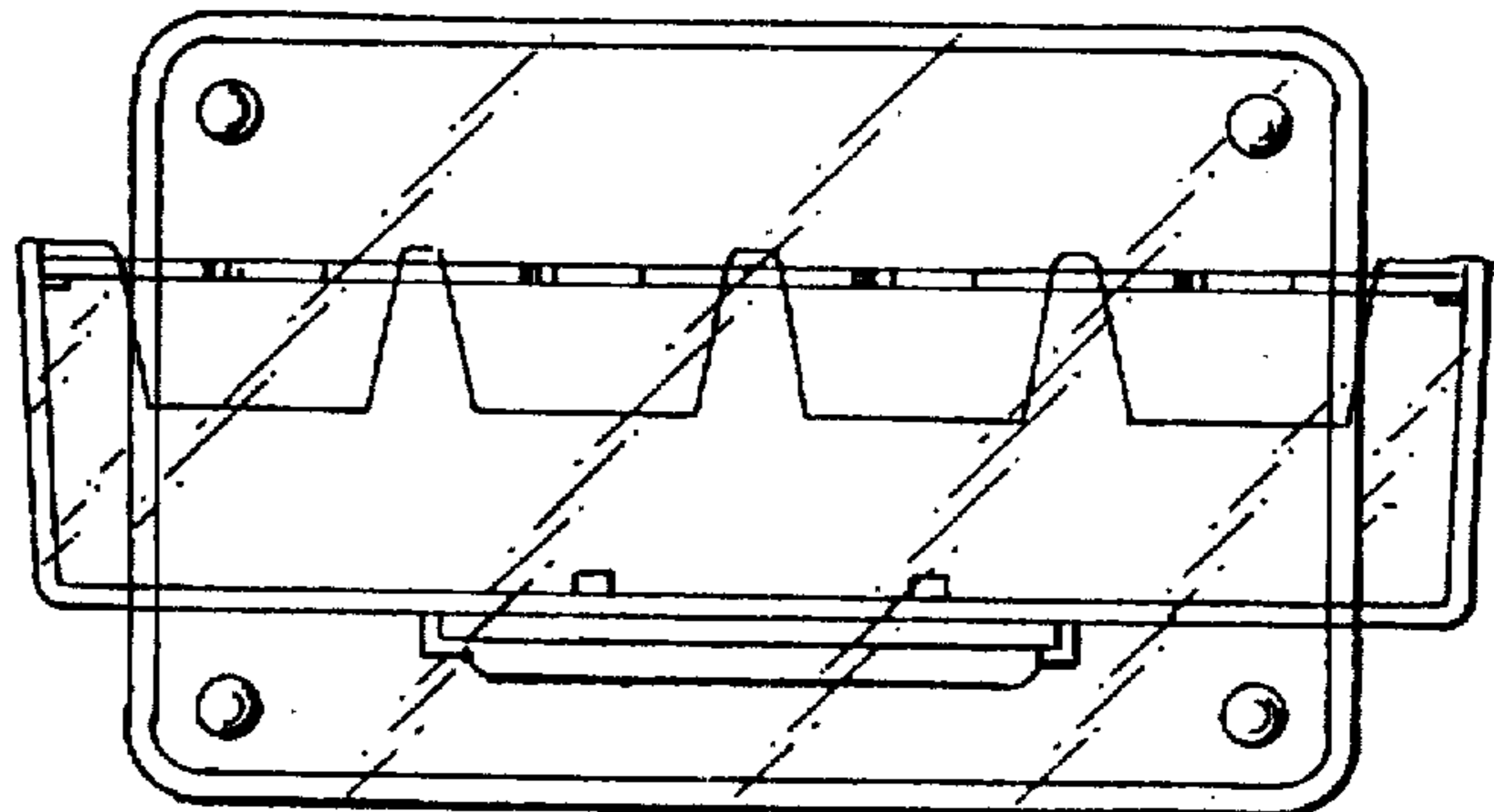


Fig. 4



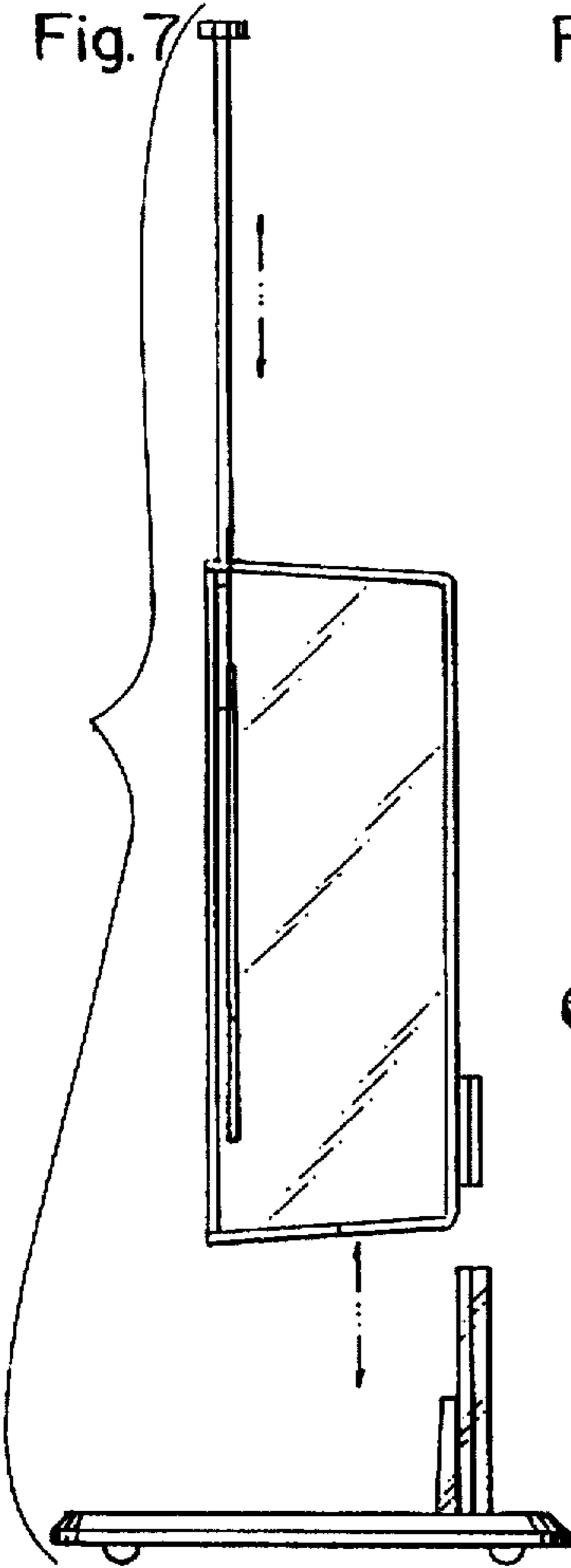


Fig. 7

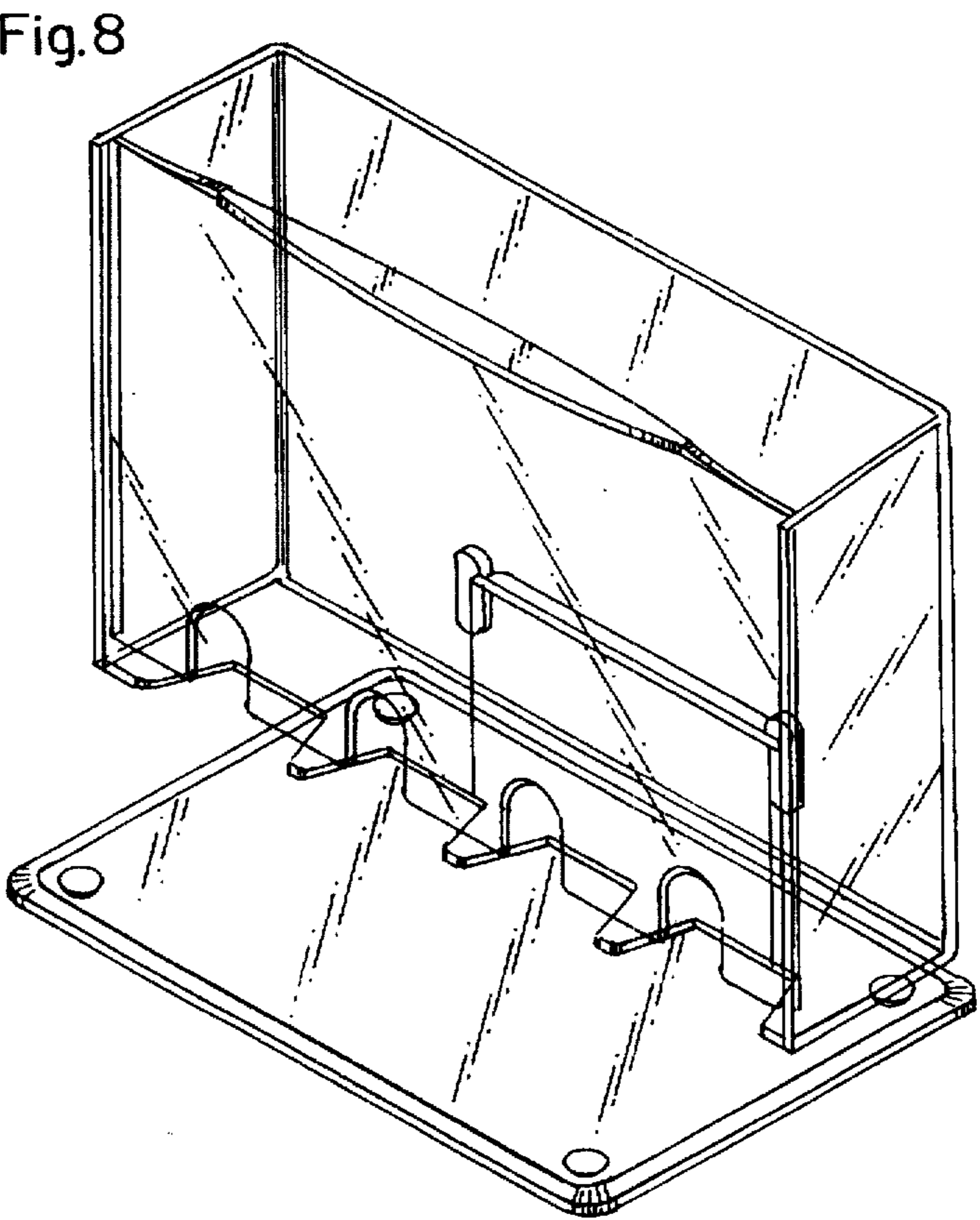


Fig. 8

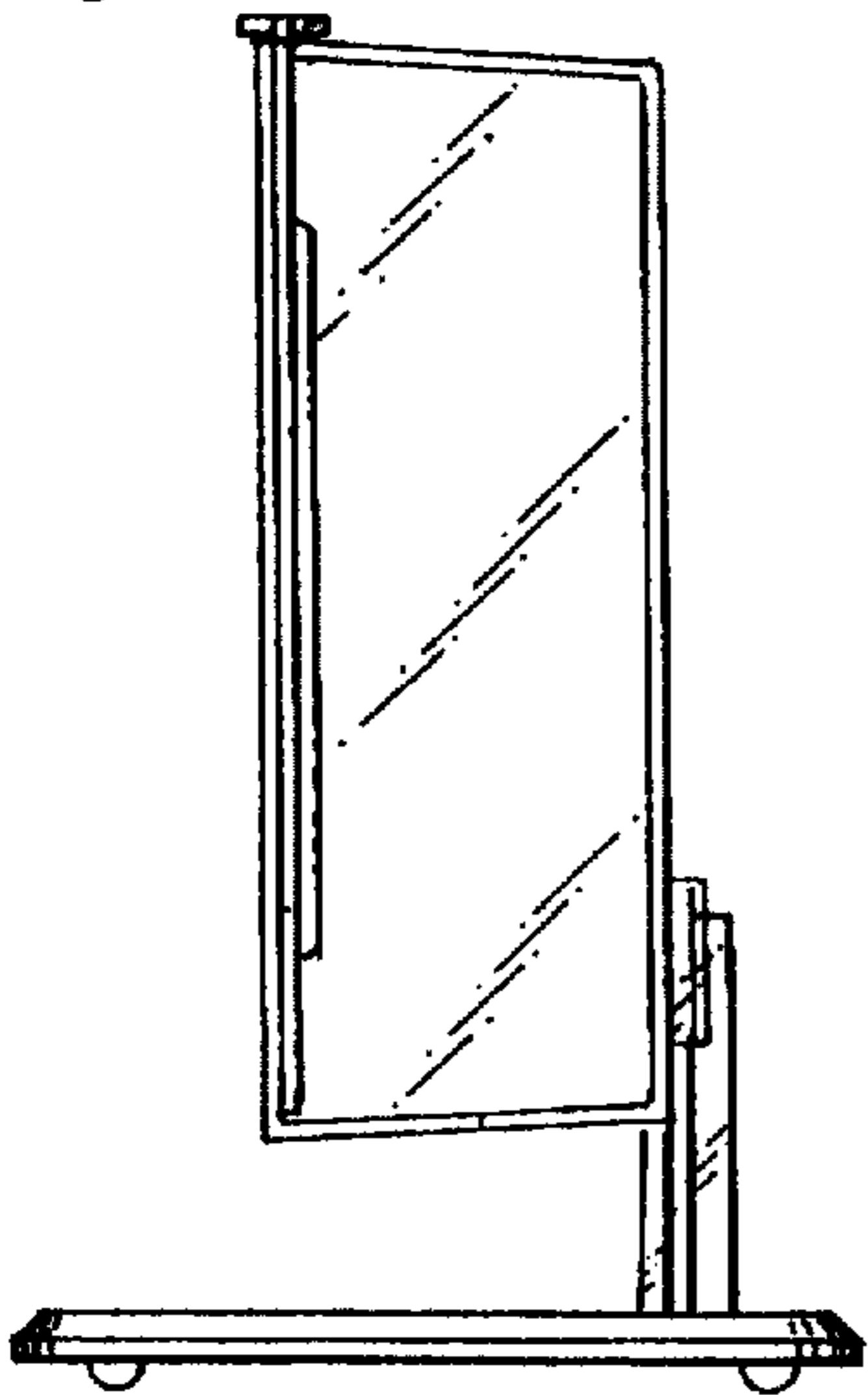


Fig. 5

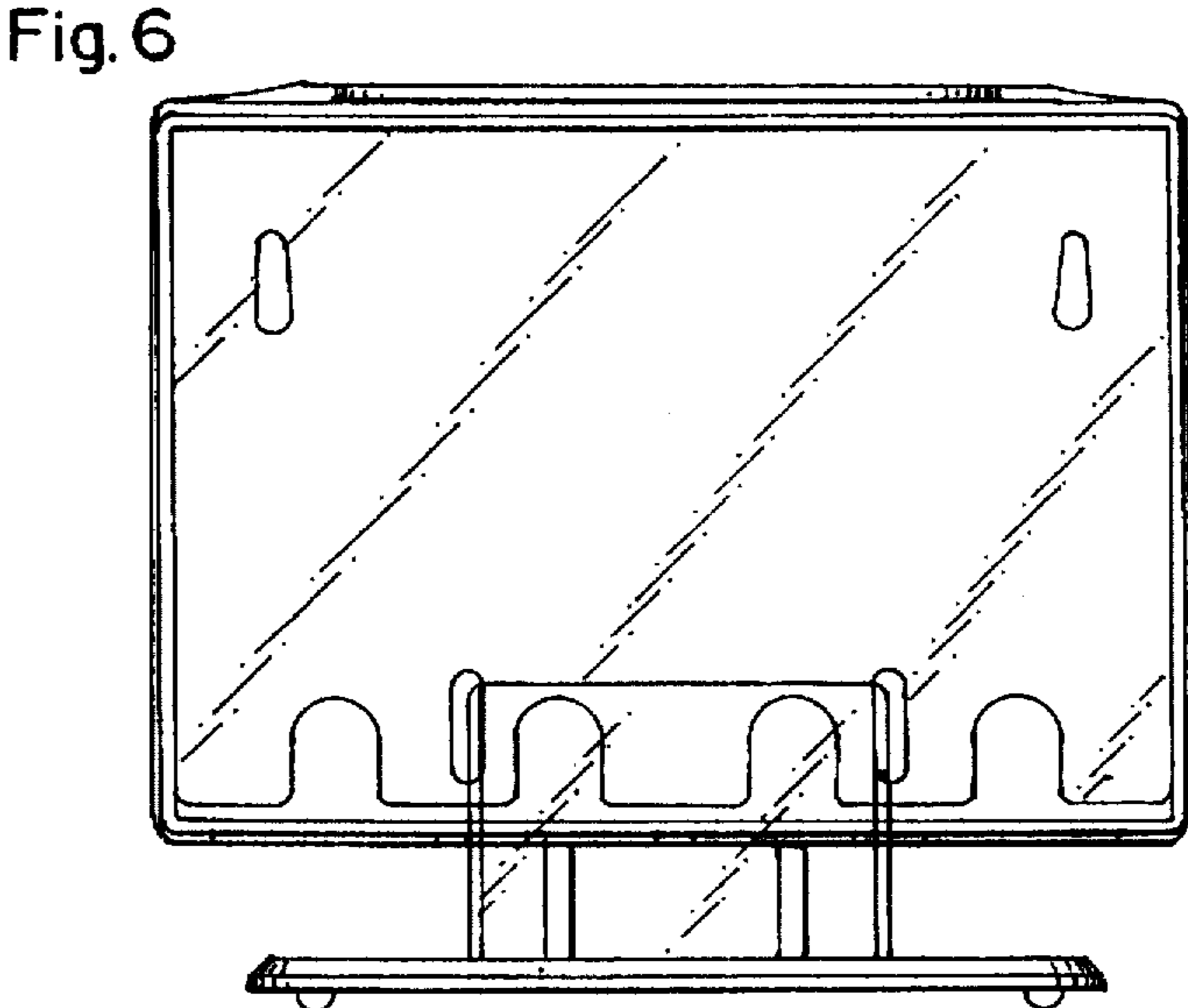


Fig. 6