

US00D393969S

United States Patent [19]

[11] Patent Number: **Des. 393,969**

Jenkins et al.

[45] Date of Patent: ****May 5, 1998**

[54] RETRACTABLE ROUND CARD TABLE TOP

DESCRIPTION

[76] Inventors: **Larry G. Jenkins**, 340 Johnston Rd., Searcy, Ark. 72143; **Gary L. Dukes**, #8 Appletree Cir., Little Rock, Ark. 72209

FIG. 1 is a frontal perspective view of the retractable round card table top, the rear perspective view of the table top being a mirror image thereof;

[**] Term: **14 Years**

FIG. 2 is a frontal perspective view of the table top of FIG. 1, with environmental structure shown in broken lines for purposes of illustration only and forming no part of the claimed design;

[21] Appl. No.: **67,400**

FIG. 3 is a top plan view of the table top of FIGS. 1 and 2 shown on a reduced scale;

[22] Filed: **Feb. 28, 1997**

[51] LOC (6) Cl. **06-03**

FIG. 4 is a front elevational view of the table top of FIG. 3, the rear elevational view being a mirror image thereof;

[52] U.S. Cl. **D6/511; D6/430; 273/309**

[58] Field of Search **D6/509-511, 425, D6/429, 480, 483, 430, 486, 488, 424; D21/14, 32, 37; 108/69, 78, 102, 66, 92, 12, 14, 16, 17, 64, 65, 137, 152, 161; 273/309**

FIG. 5 is a bottom plan view of the table top of FIG. 3;

FIG. 6 is a right side elevational view of the table top of FIG. 3, the left side elevational view being a mirror image thereof;

[56] References Cited

U.S. PATENT DOCUMENTS

D. 224,874 10/1972 Cook D6/474
D. 276,955 1/1985 Hanemaayer D6/430
5,193,465 3/1993 Delaye et al. 108/69 X

FIG. 7 is a frontal perspective view of an alternative embodiment, the only difference being that there are four retractable shelves;

FIG. 8 is a top plan view of the table top of FIG. 7 shown on a reduced scale;

FIG. 9 is a frontal perspective view of another alternative embodiment, the only difference being that there are five retractable shelves; and,

FIG. 10 is a top plan view of the table top of FIG. 9 shown on a reduced scale.

Primary Examiner—James Gandy
Assistant Examiner—Linda Brooks
Attorney, Agent, or Firm—Stephen D. Carver

[57] CLAIM

The ornamental design for a retractable round card table top, as shown and described.

1 Claim, 7 Drawing Sheets

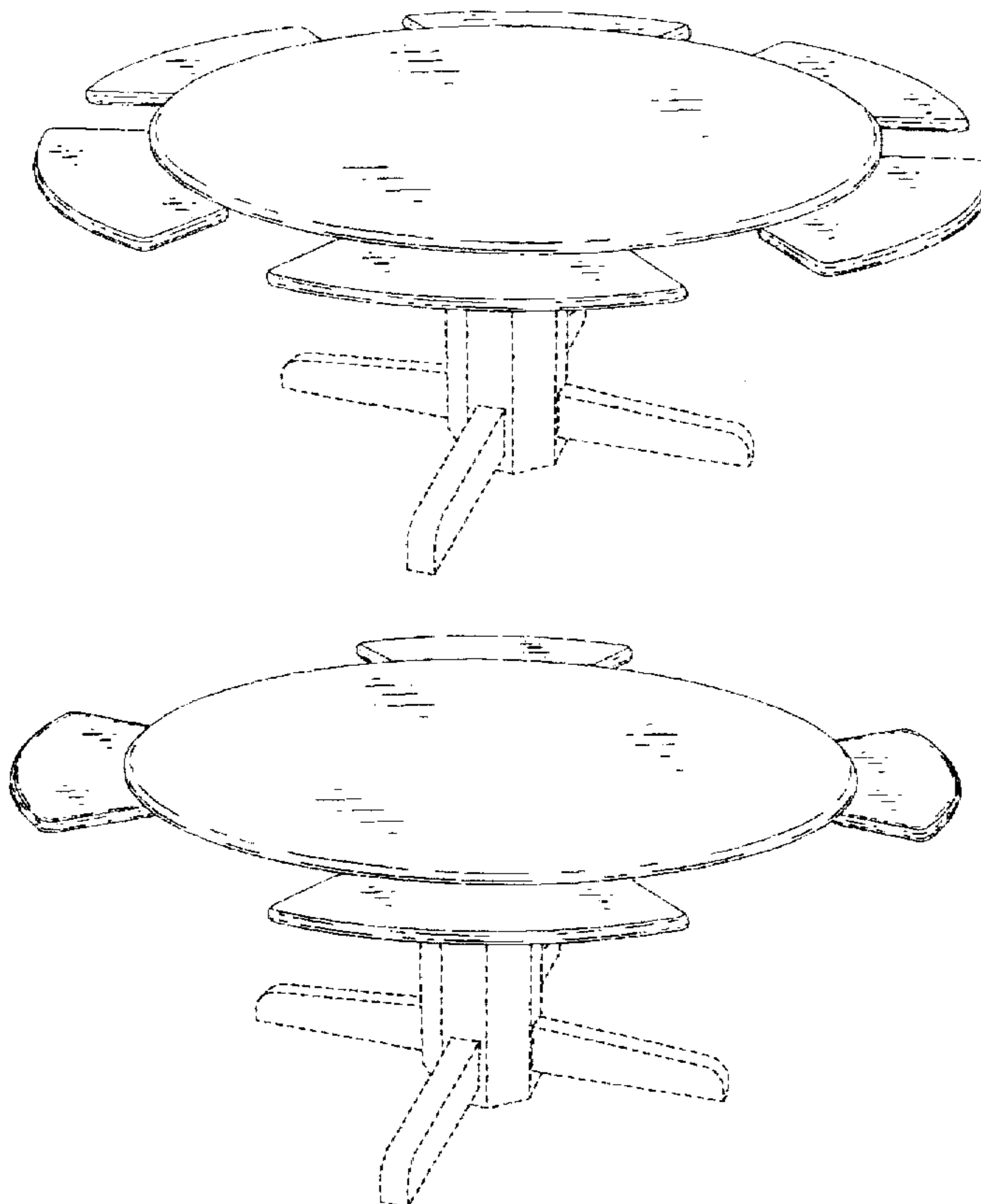


FIG. 1

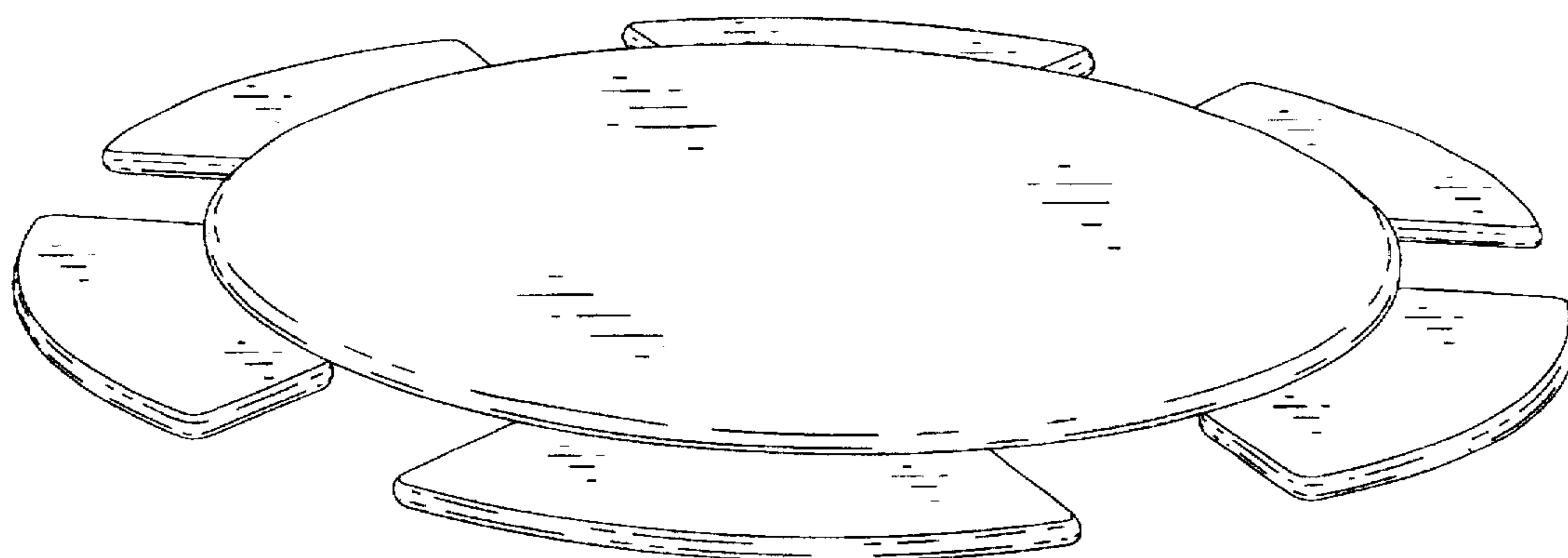


FIG. 2

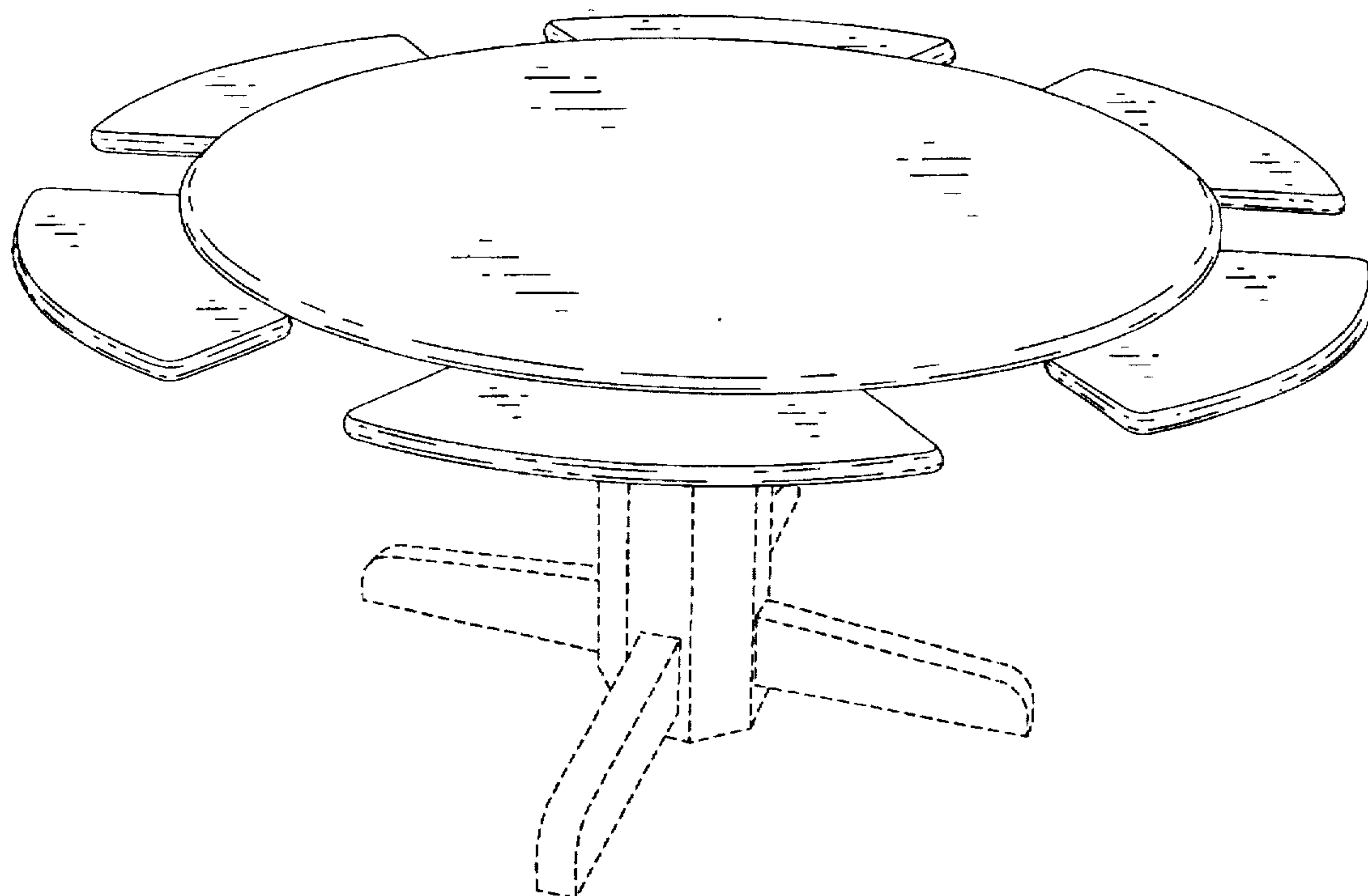


FIG. 3

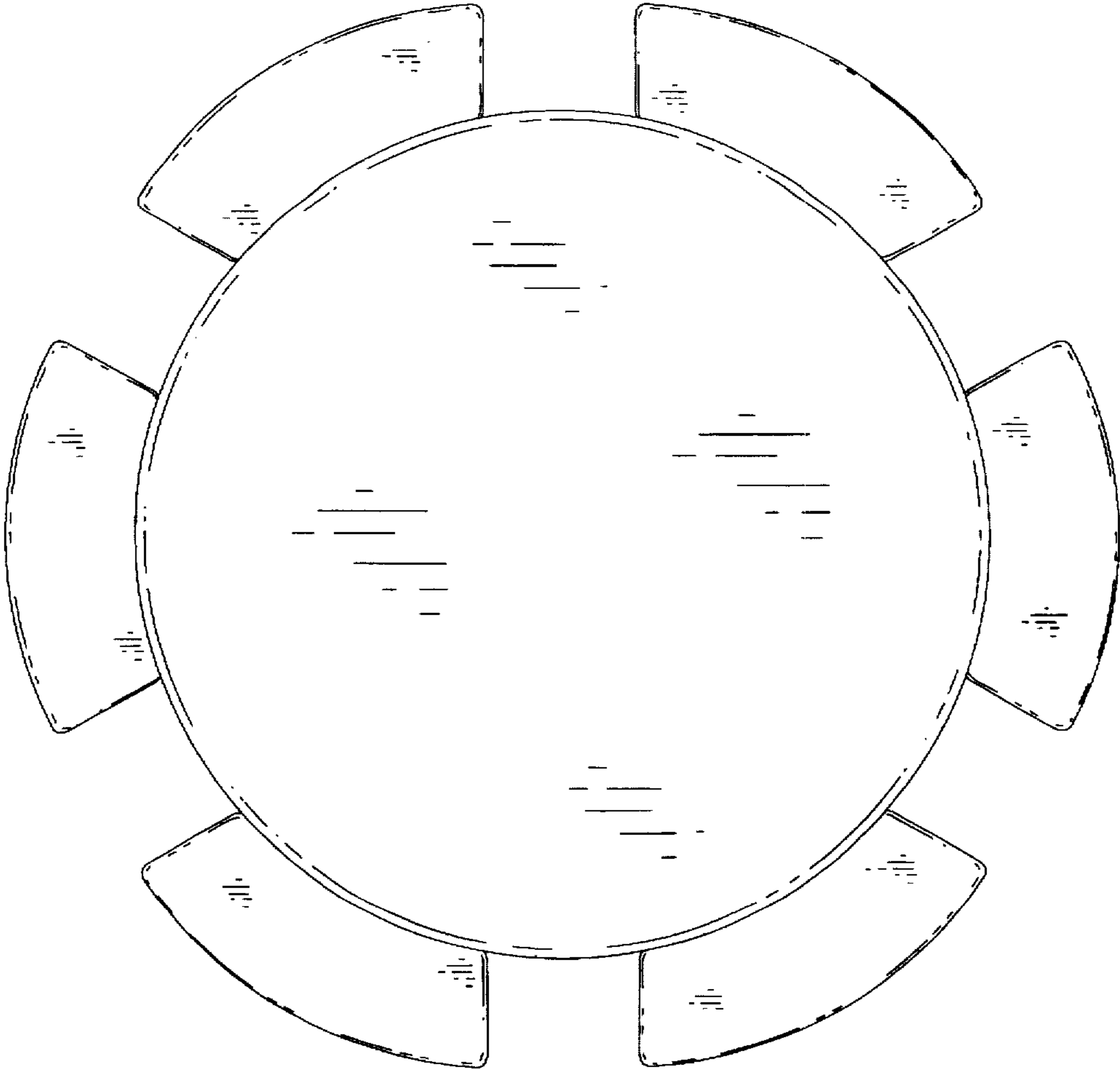


FIG. 4



FIG. 5

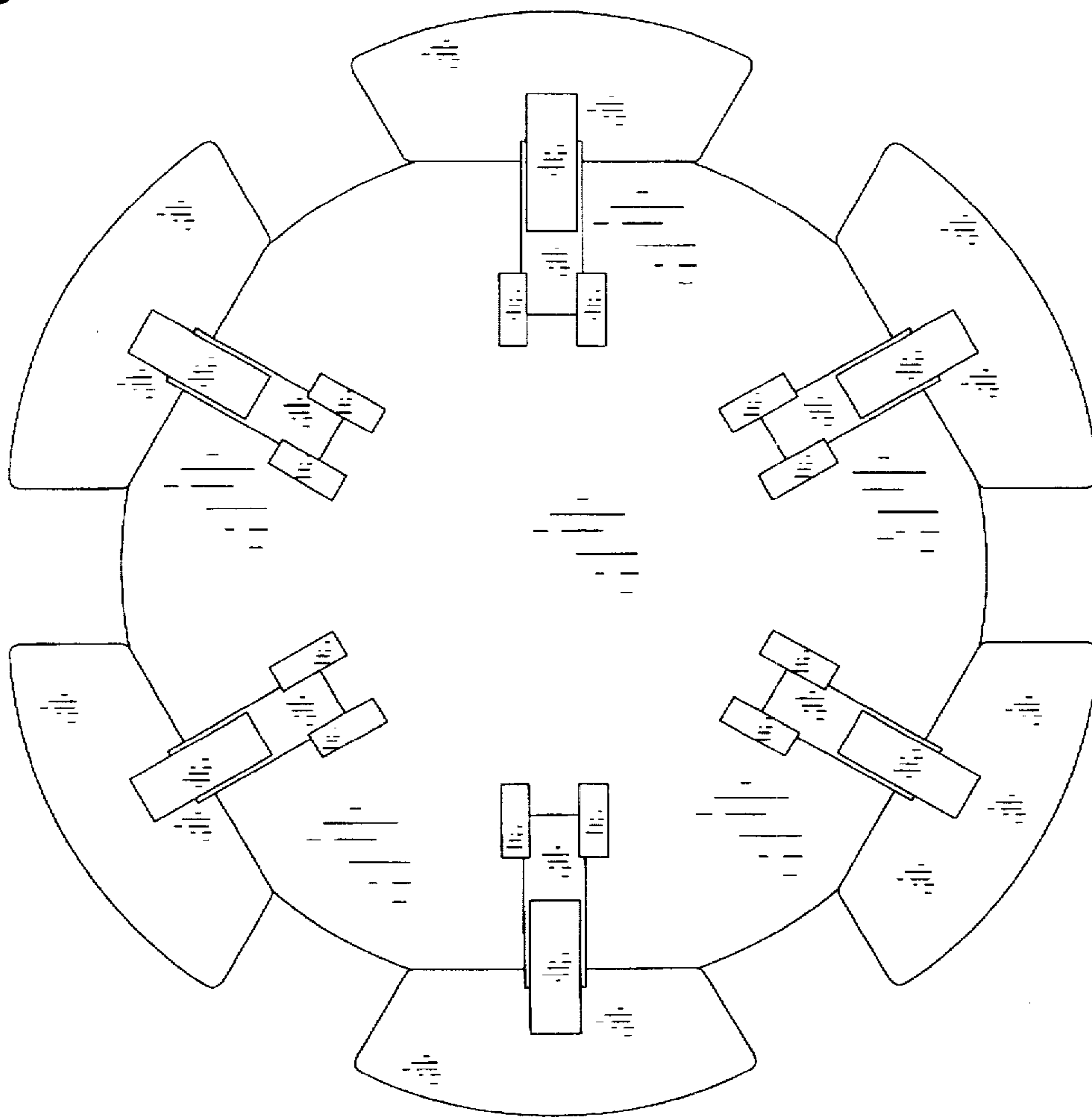


FIG. 6

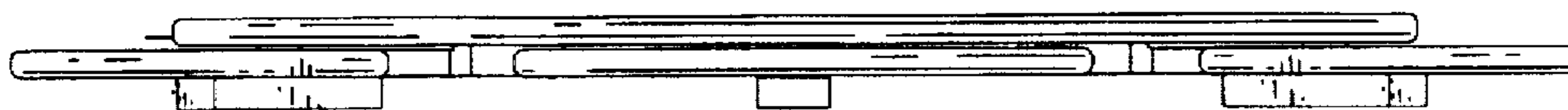


FIG. 7

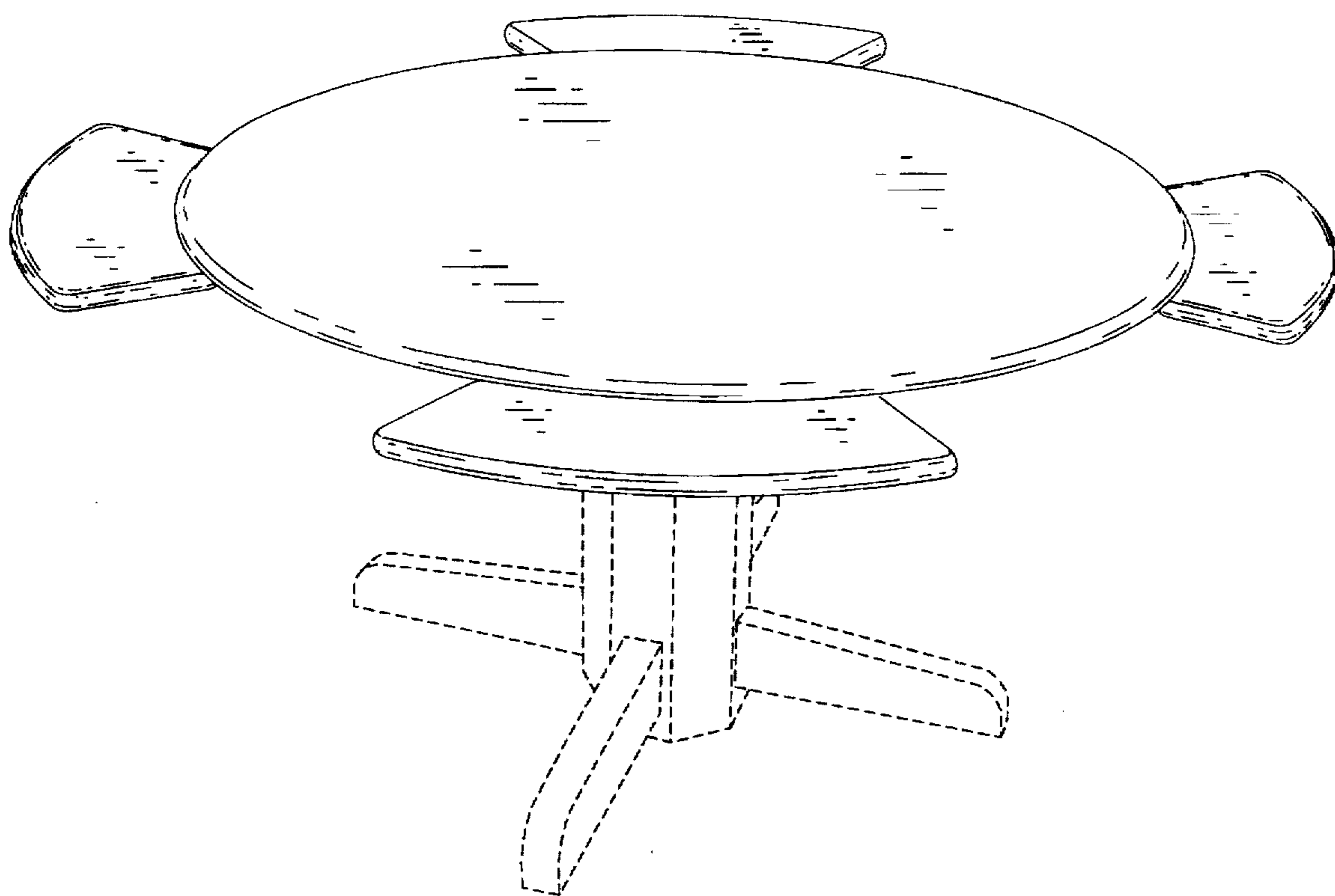


FIG. 8

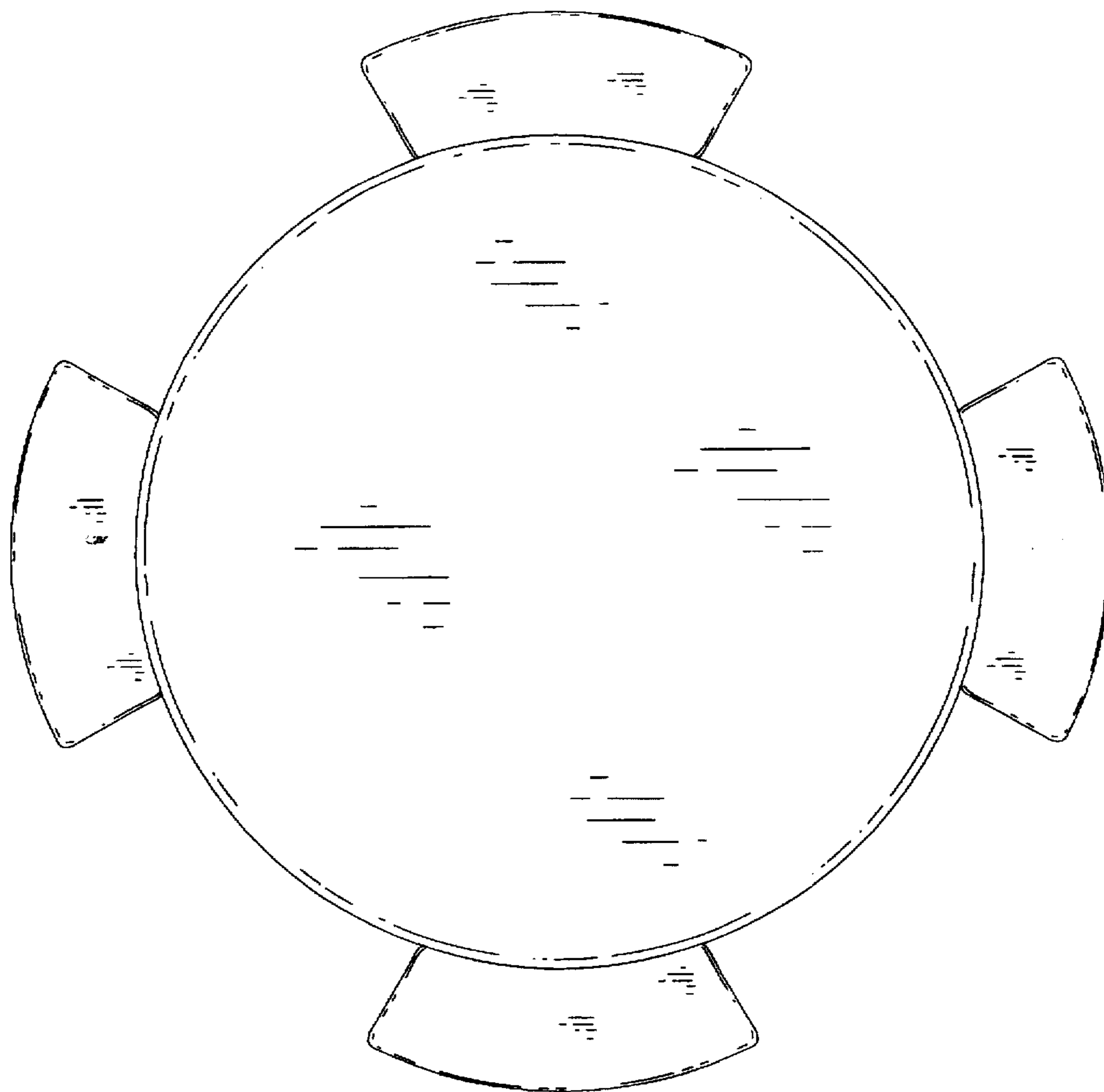


FIG. 9

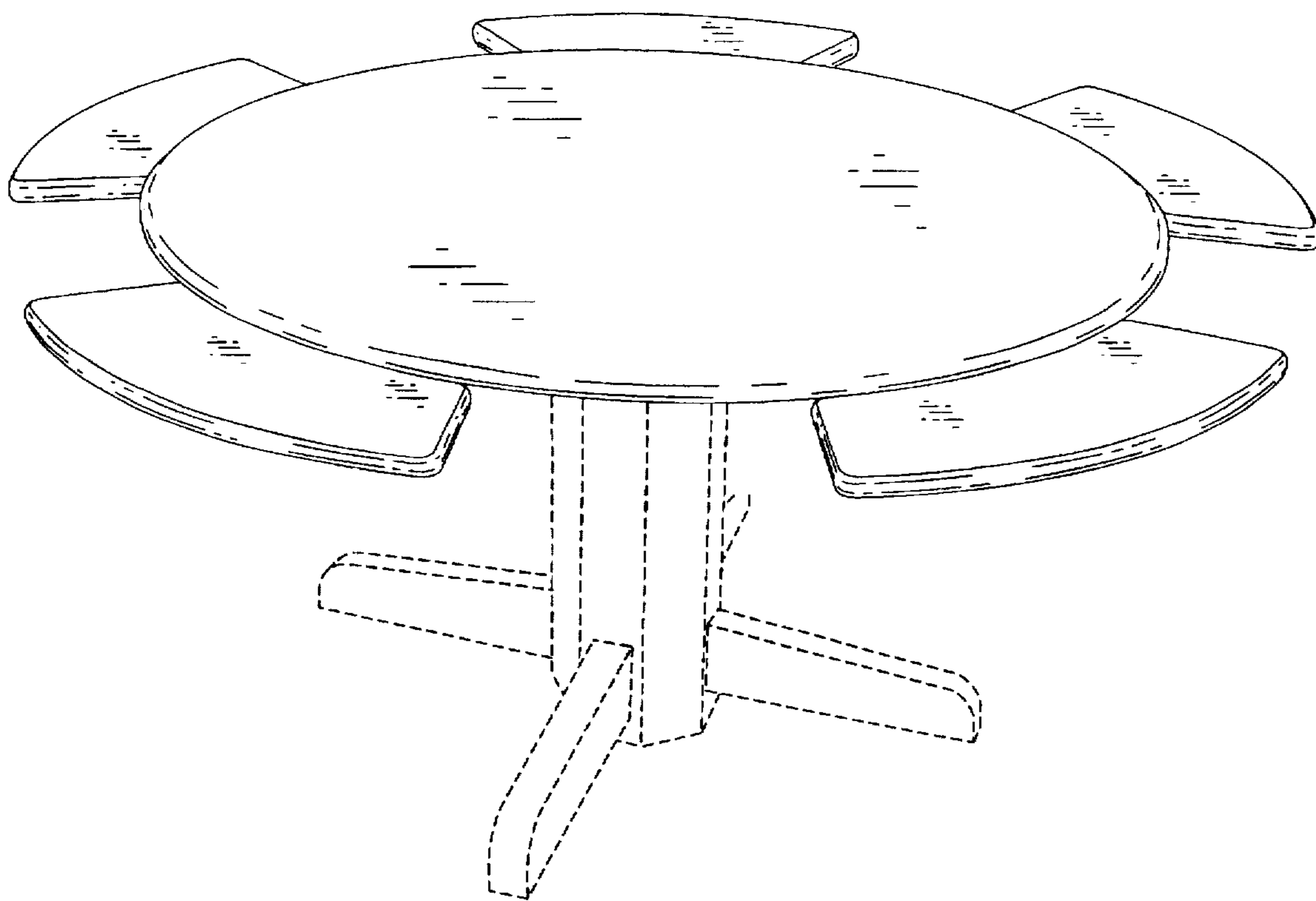


FIG. 10

