



US00D393968S

# United States Patent [19]

Penning et al.

[11] Patent Number: Des. 393,968

[45] Date of Patent: \*\*May 5, 1998

[54] CHAIR

[75] Inventors: **Kenneth James Penning**, Grand Rapids, Mich.; **Robert Peter Arko**, Palo Alto, Calif.; **Eric Thomas McClure**, Grand Rapids, Mich.; **James P. Steffens**, Hopkins, Mich.; **Mark Scott Drelles**, Grand Rapids, Mich.

[73] Assignee: **Steelcase Inc.**, Grand Rapids, Mich.

[\*\*] Term: 14 Years

[21] Appl. No.: 66,890

[22] Filed: Feb. 26, 1997

[51] LOC (6) Cl. .... 06-06

[52] U.S. Cl. .... D6/500; D6/364; D6/365

[58] Field of Search ..... D6/334, 335, 364, D6/365, 366, 367, 375, 379, 500, 501, 502; 297/451.5, DIG. 1, DIG. 2

[56] References Cited

U.S. PATENT DOCUMENTS

D. 247,593	3/1978	Steele	.....	D6/365
D. 276,576	12/1984	Helmholdt	.....	D6/366
D. 318,184	7/1991	Muller-Deisig et al.	.....	D6/366
D. 329,770	9/1992	Grahl et al.	.	
D. 346,909	5/1994	Obata et al.	.	
D. 361,674	8/1995	Carter, Sr.	.	
D. 368,596	4/1996	Breen	.	
D. 369,028	4/1996	Jaeger	.	
D. 371,474	7/1996	Koopman	.	
D. 377,424	1/1997	Olson	.....	D6/366

FOREIGN PATENT DOCUMENTS

743932	6/1988	Japan	.
899586	3/1994	Japan	.
948391	12/1995	Japan	.
949511	1/1996	Japan	.
951938	2/1996	Japan	.
952214	2/1996	Japan	.
952268	2/1996	Japan	.
956122	3/1996	Japan	.
971395	10/1996	Japan	.

OTHER PUBLICATIONS

Domus, Rassegna Product Survey, 786, Oct. 1996, pp. 133, 136, 144.  
 Material relating to Herman Miller Ergon Chairs Catalog, undated, bearing designation "Interiors Apr. 1976, p. 7".  
 Steelcase Improved ConCentrx/454 Catalog, undated bearing mark "RECEIVED Mar. 11, 1997 Group 290".  
 "MD-800 New", Manufacturer: Tokaikosyo, dated 1995.  
 "VR Chair Hyper", Manufacturer: Daikoku-Denki, Published 1996.  
 "MD1000 Parlor Chair", Tokai, undated.  
 "AXE 300E", GAP Japan, undated.  
 "Series PZ", Manufacturer: Sanwa-Seisakusyo, dated prior to 1995.  
 "SensorSeat AXE 600" Parlor Chair, undated.  
 Materials (24 pages with the first page being black with a "fan of playing cards with chairs" positioned in the upper left corner), undated.

Primary Examiner—Gary D. Watson  
Attorney, Agent, or Firm—Foley & Lardner

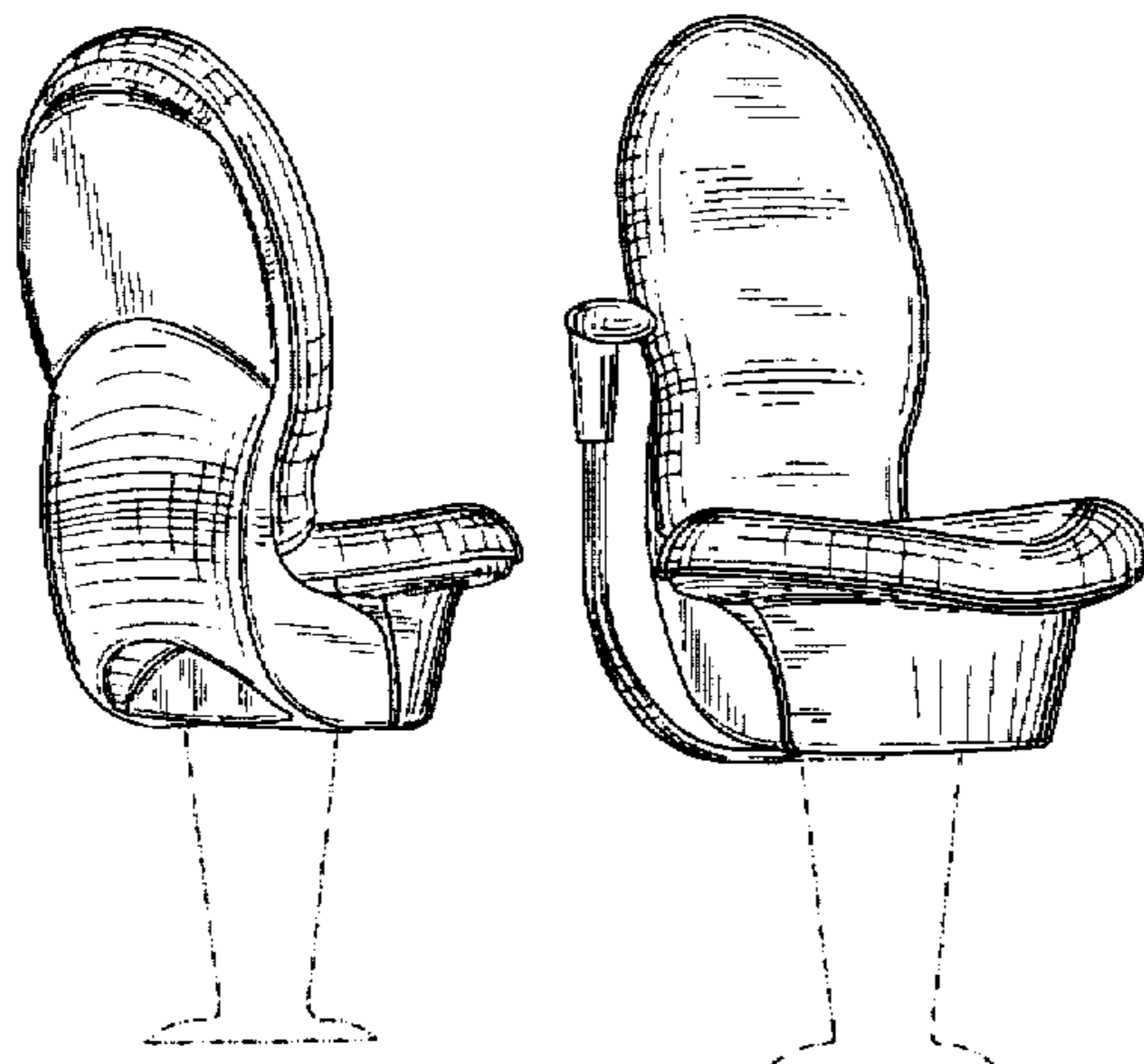
[57] CLAIM

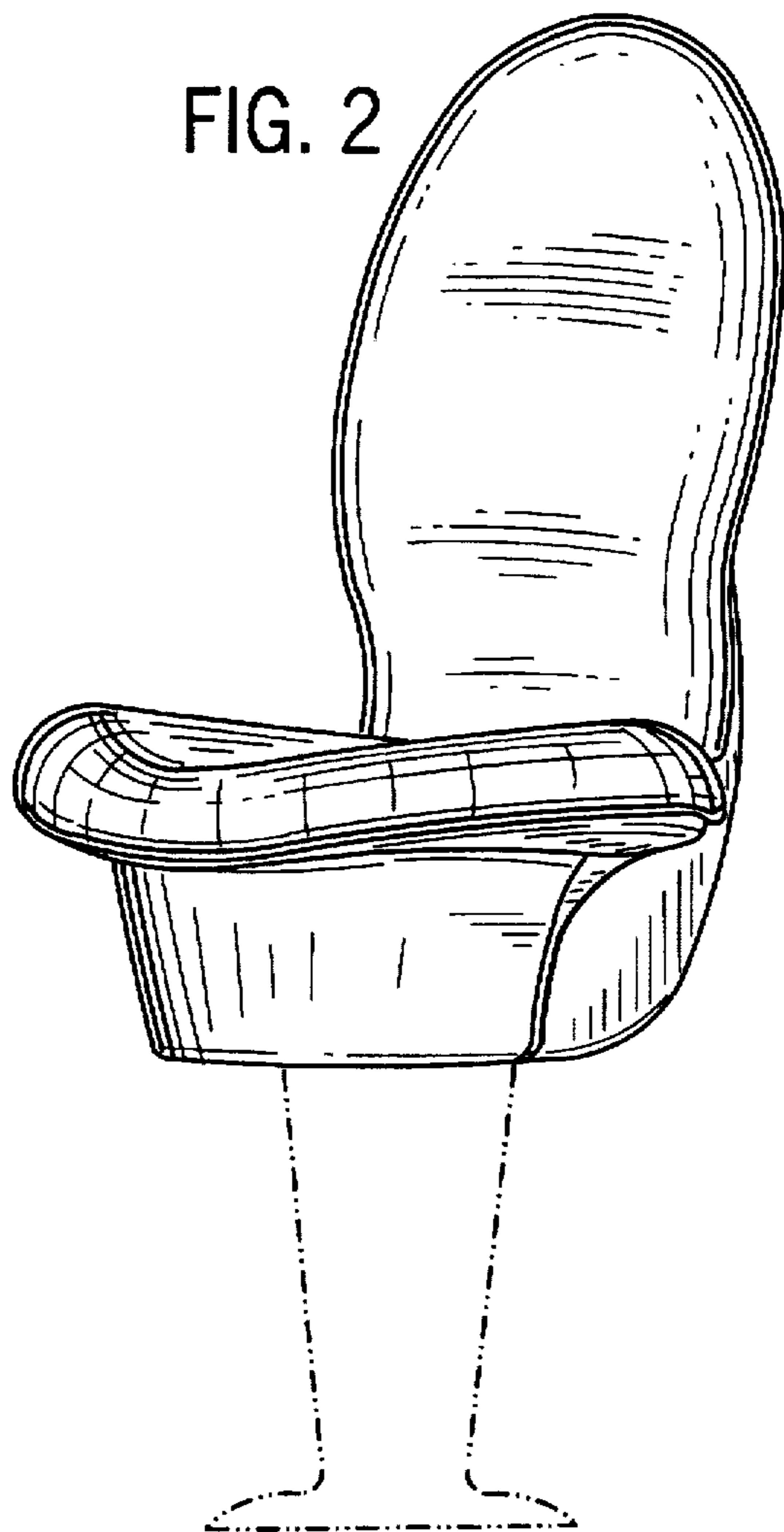
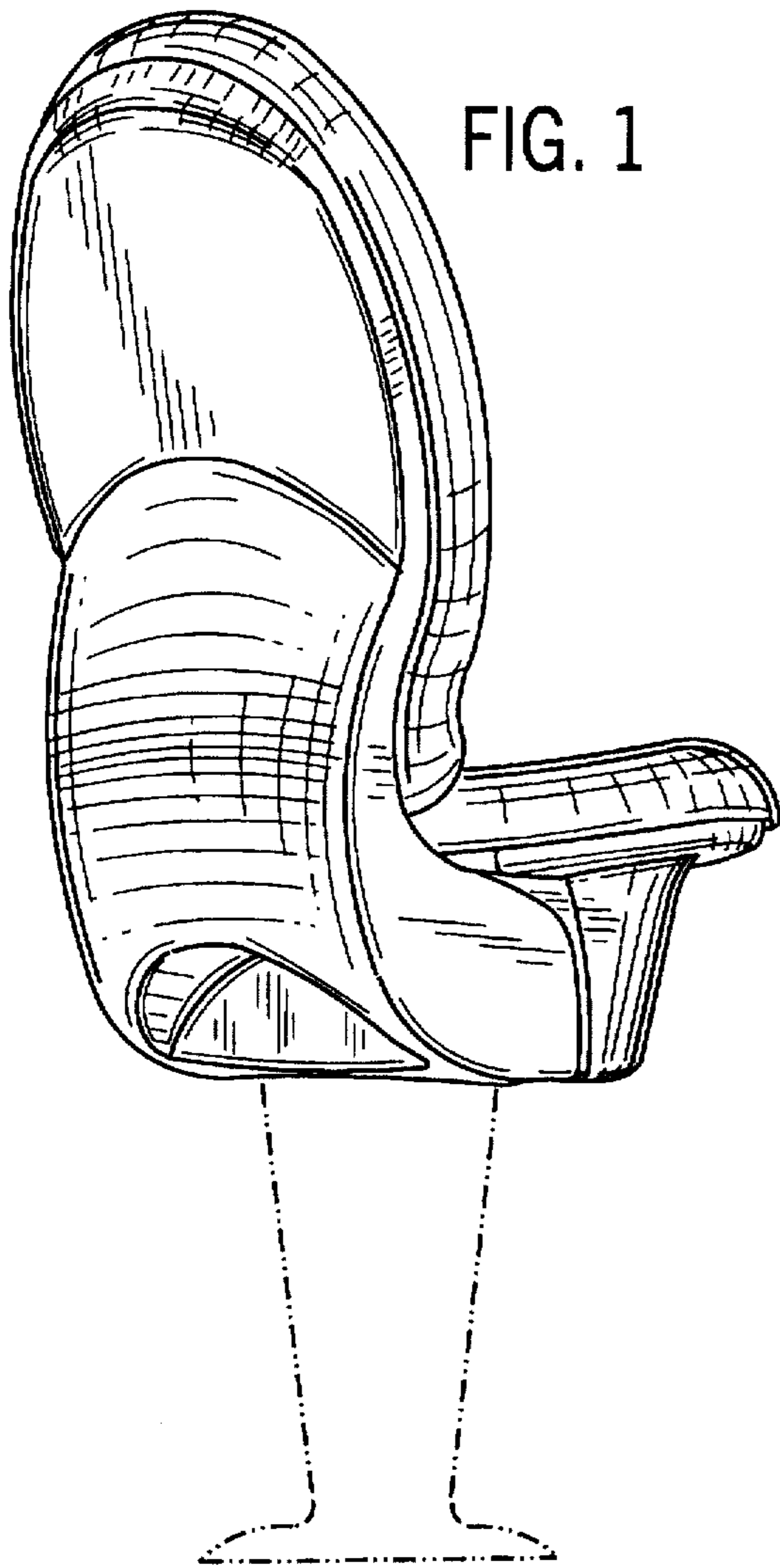
The ornamental design for a chair, as shown and described.

DESCRIPTION

FIG. 1 is a rear perspective view of a chair showing our new design;  
 FIG. 2 is a front perspective view thereof;  
 FIG. 3 is a front view thereof; and  
 FIG. 4 is a rear view thereof;  
 FIG. 5 is a left side elevational view, the right side being a mirror image thereof;  
 FIG. 6 is a top plan view;  
 FIG. 7 is a rear perspective view of the chair according to an alternative embodiment of our new design;  
 FIG. 8 is a front perspective view thereof;  
 FIG. 9 is a front view thereof;  
 FIG. 10 is a rear view thereof;  
 FIG. 11 is a left side elevational view thereof;  
 FIG. 12 is a right side elevational view thereof; and,  
 FIG. 13 is a top plan view thereof.

1 Claim, 8 Drawing Sheets





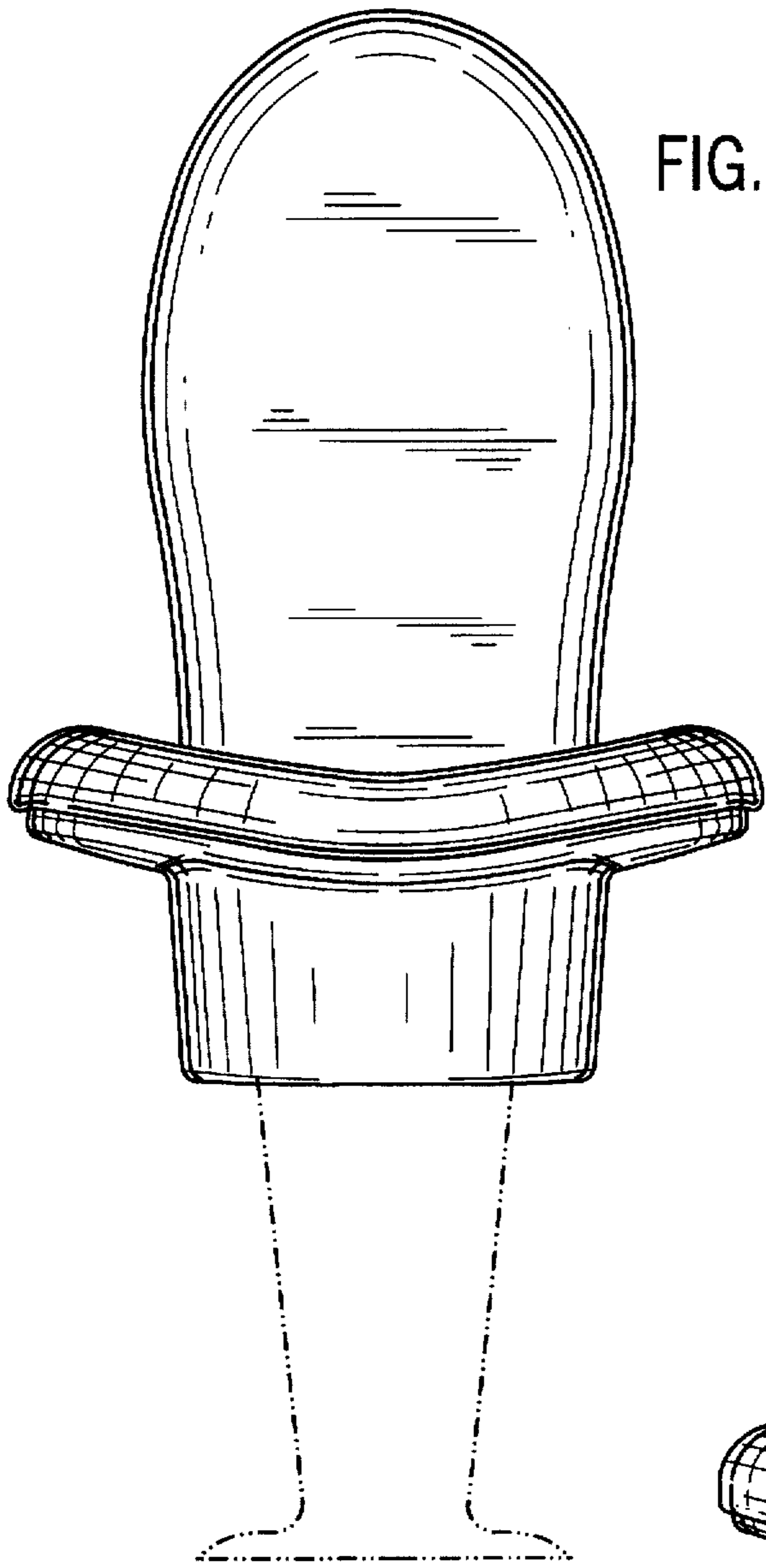


FIG. 3

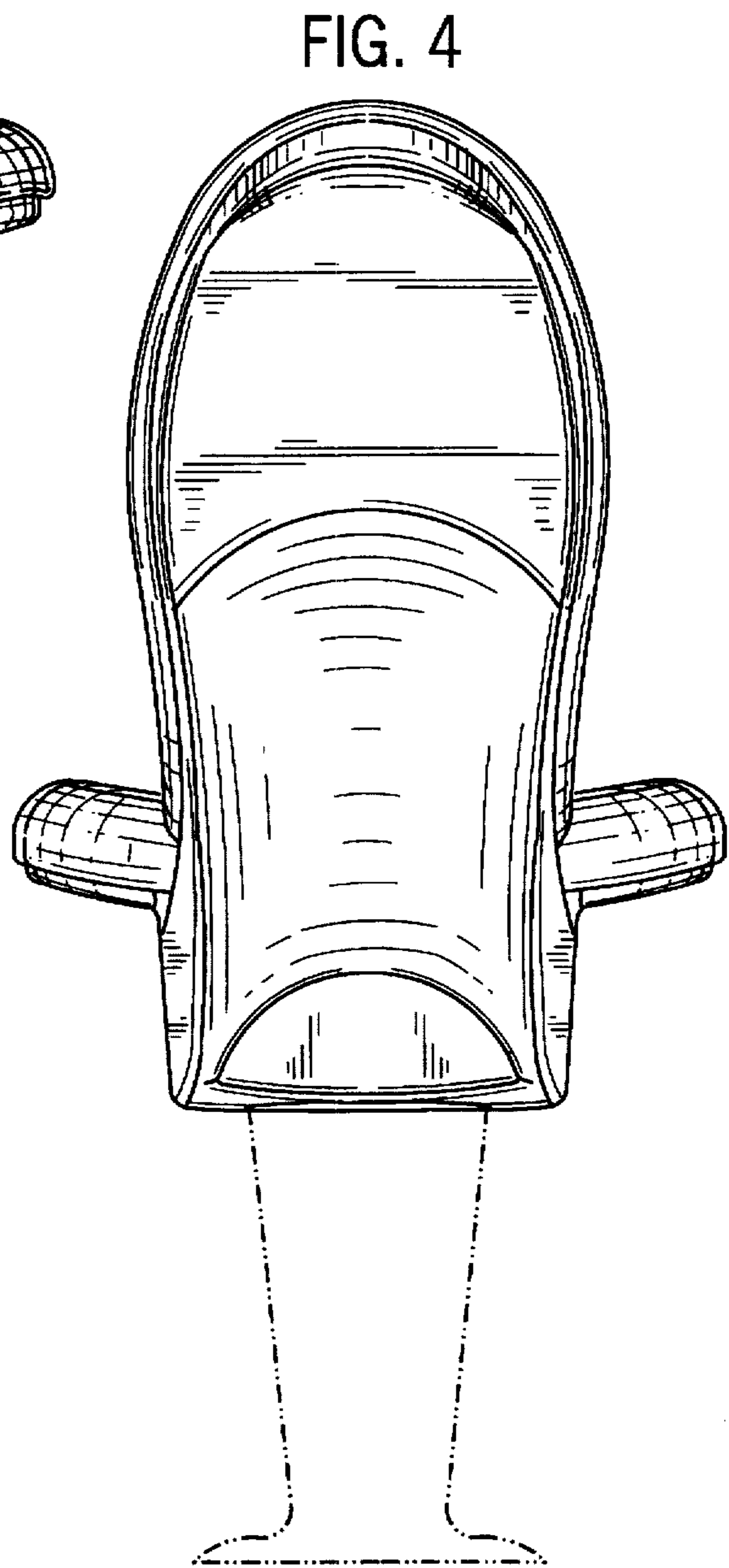


FIG. 4

FIG. 5

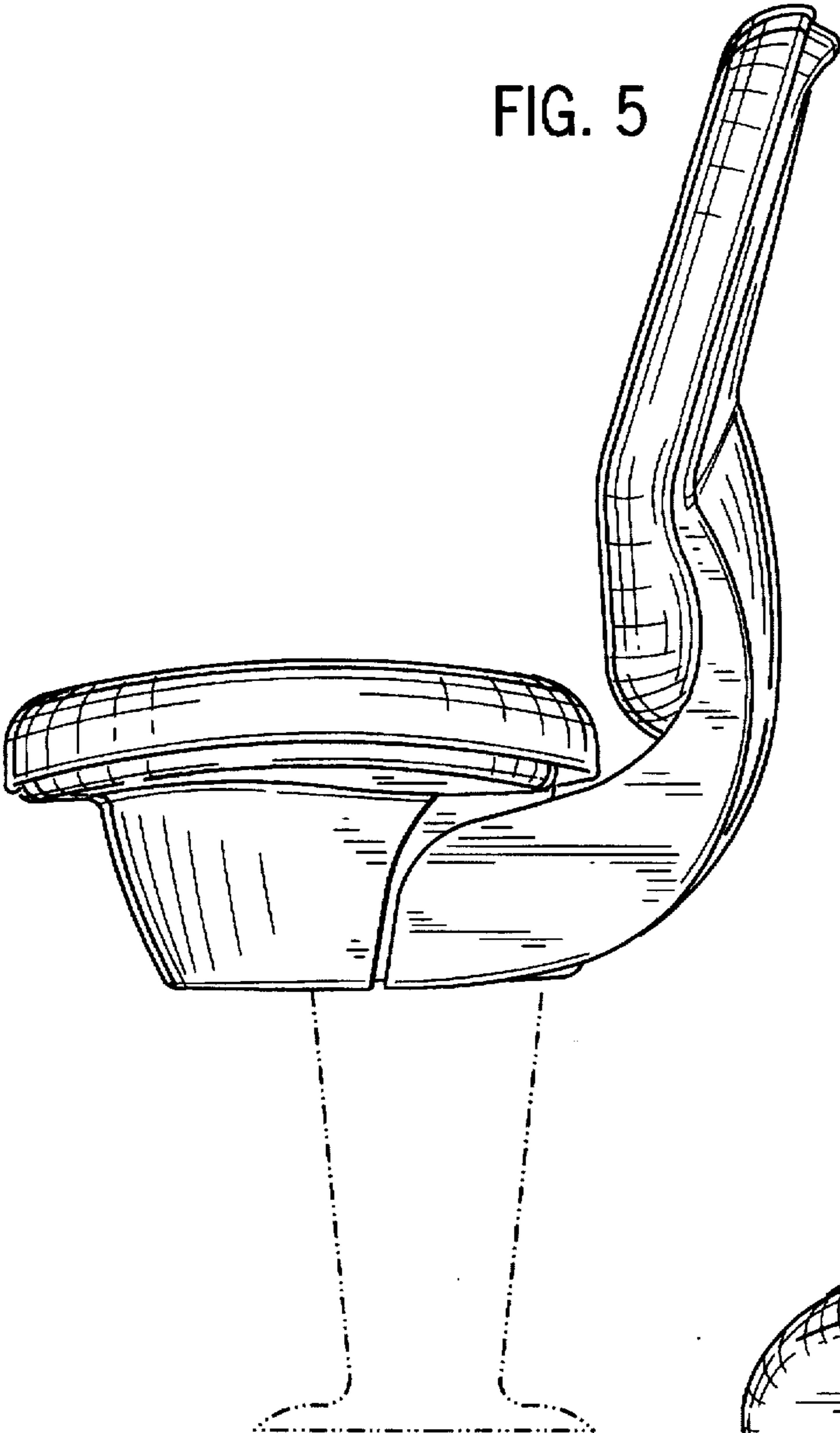
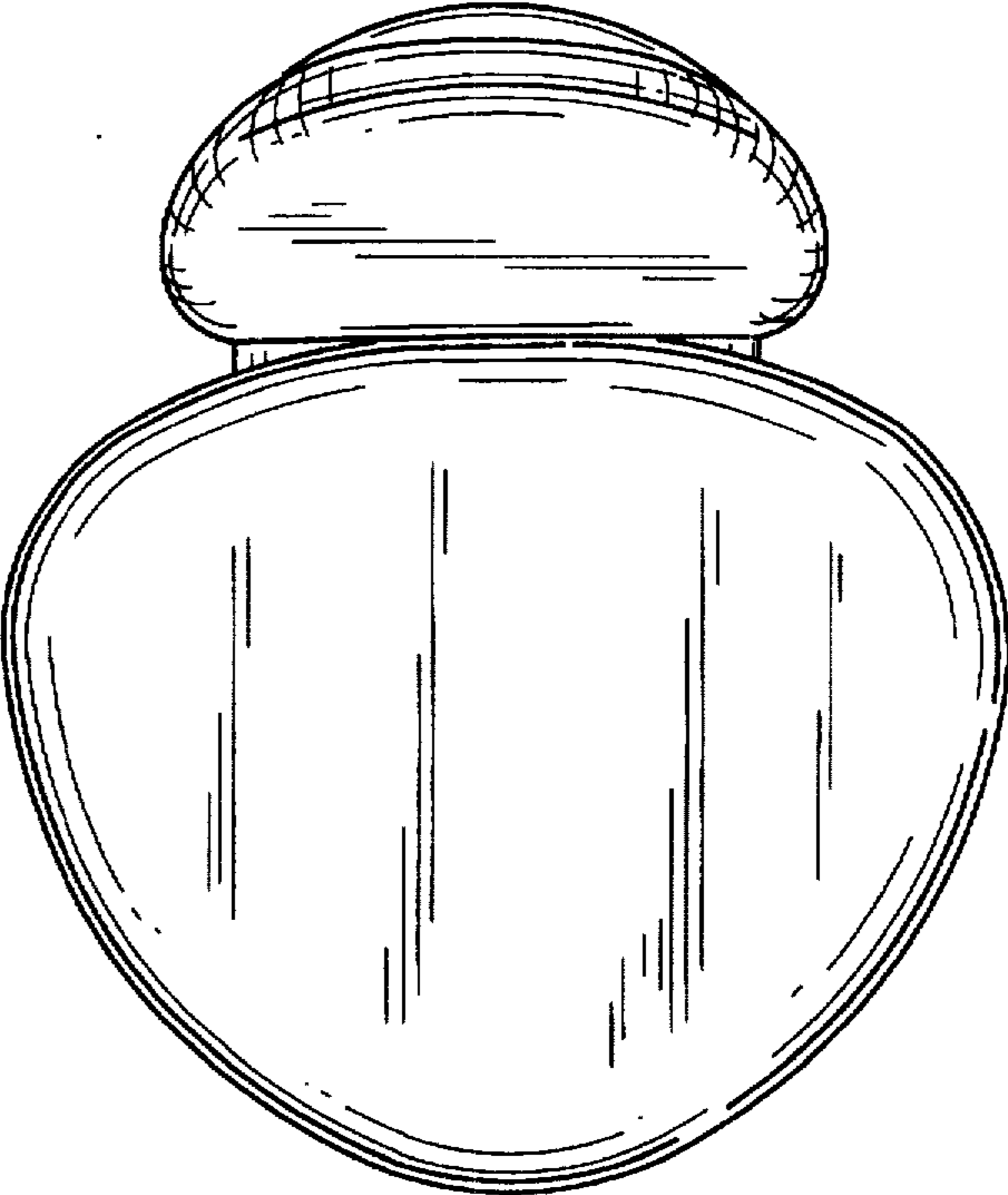


FIG. 6



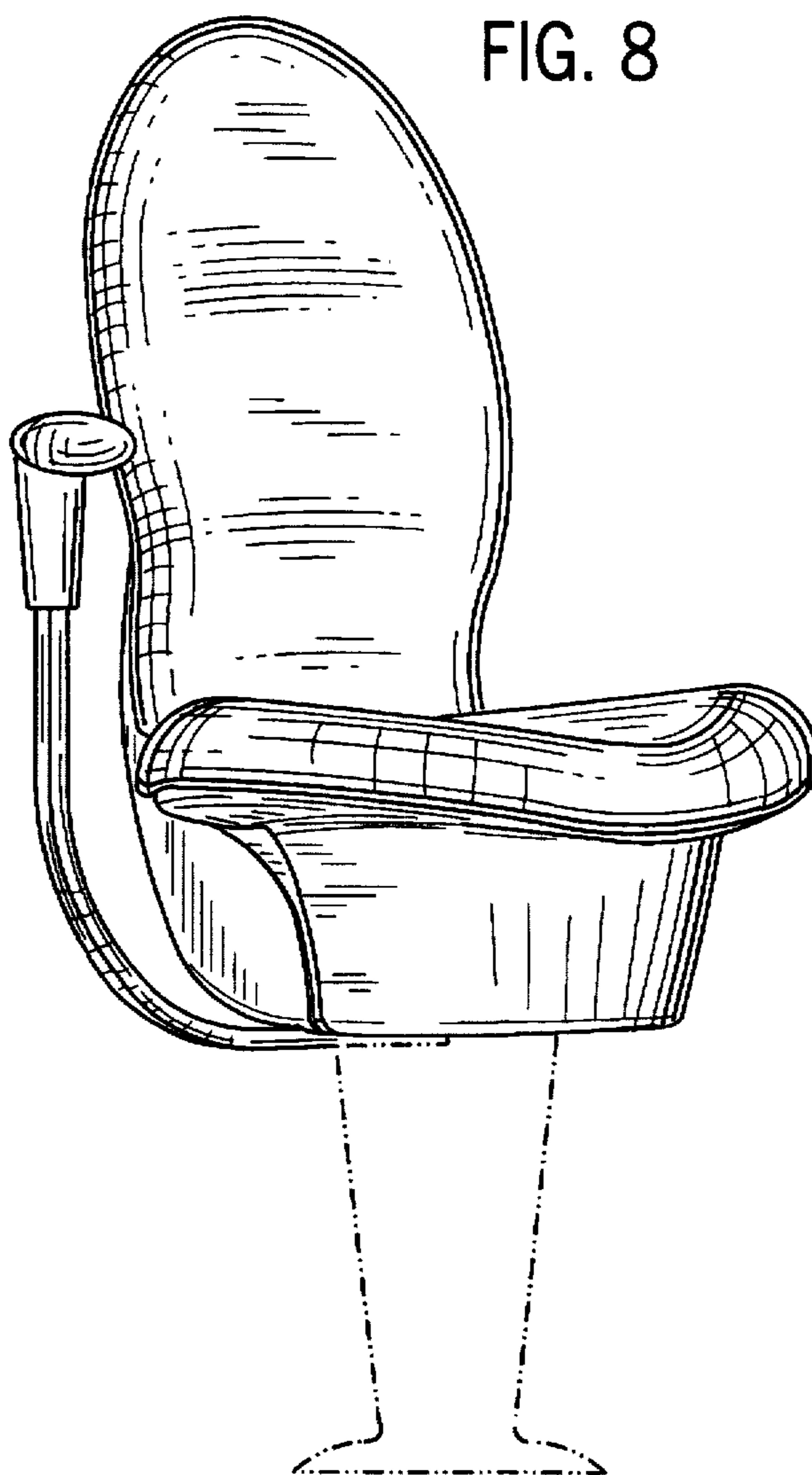
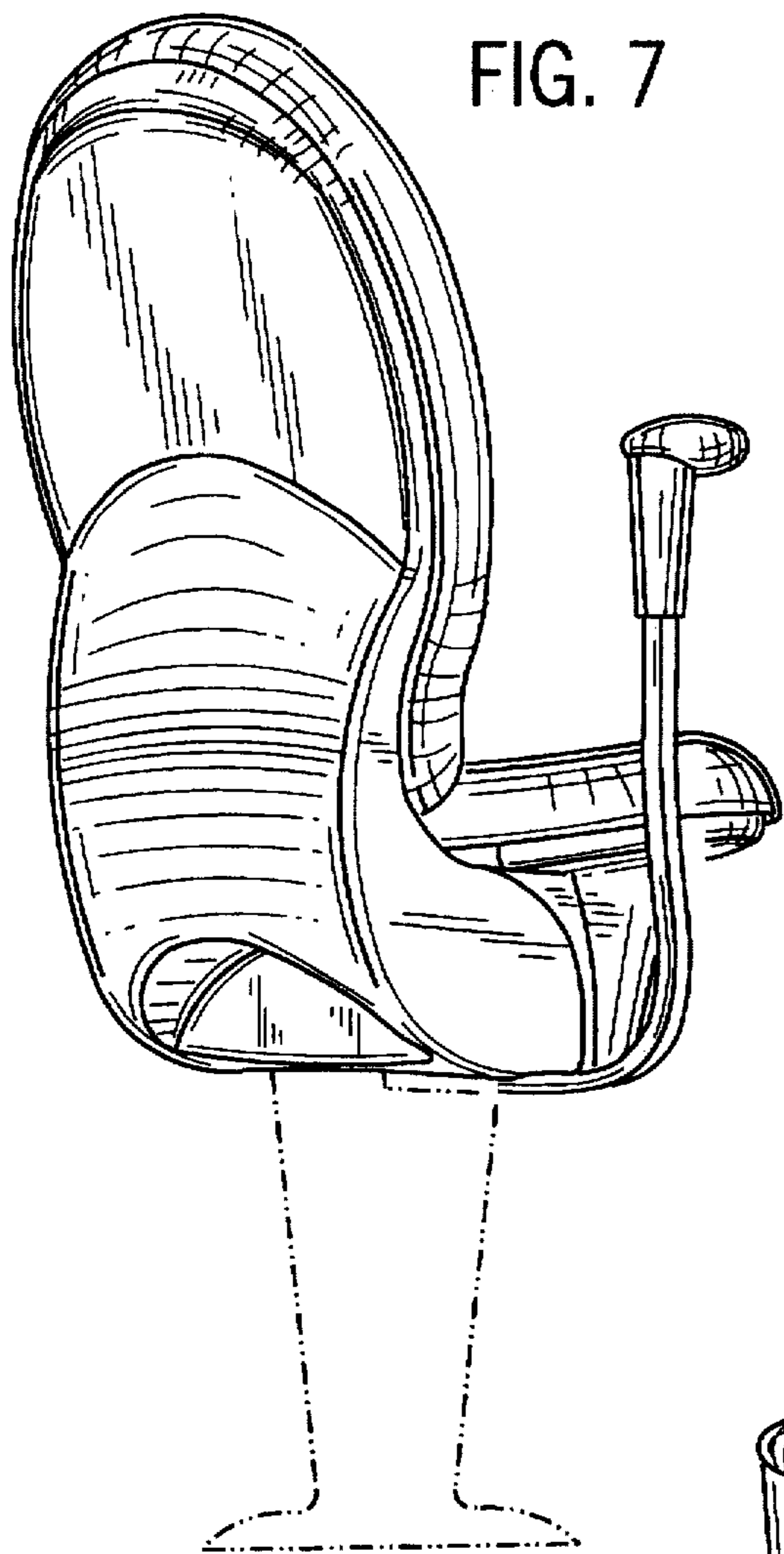


FIG. 9

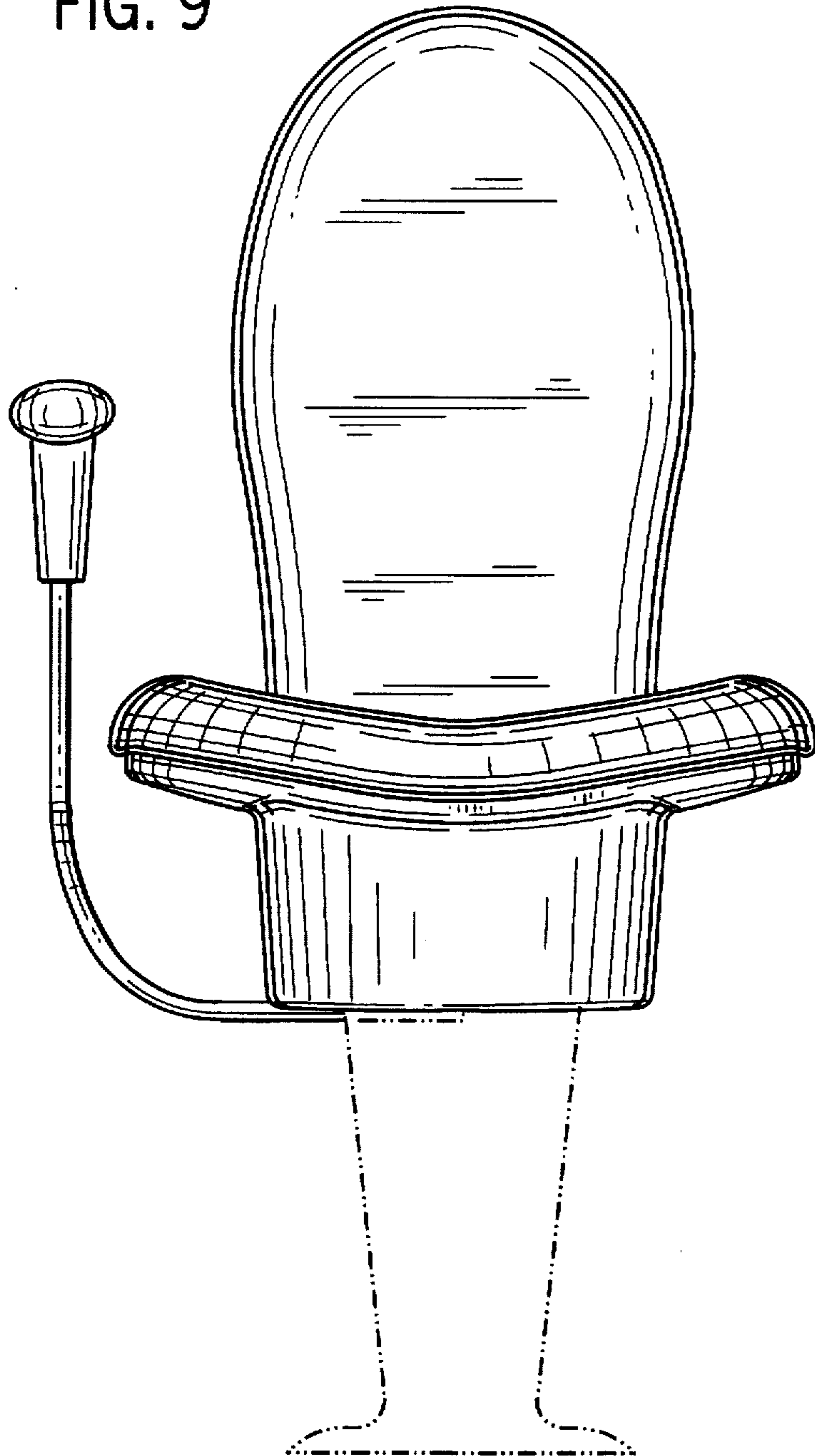
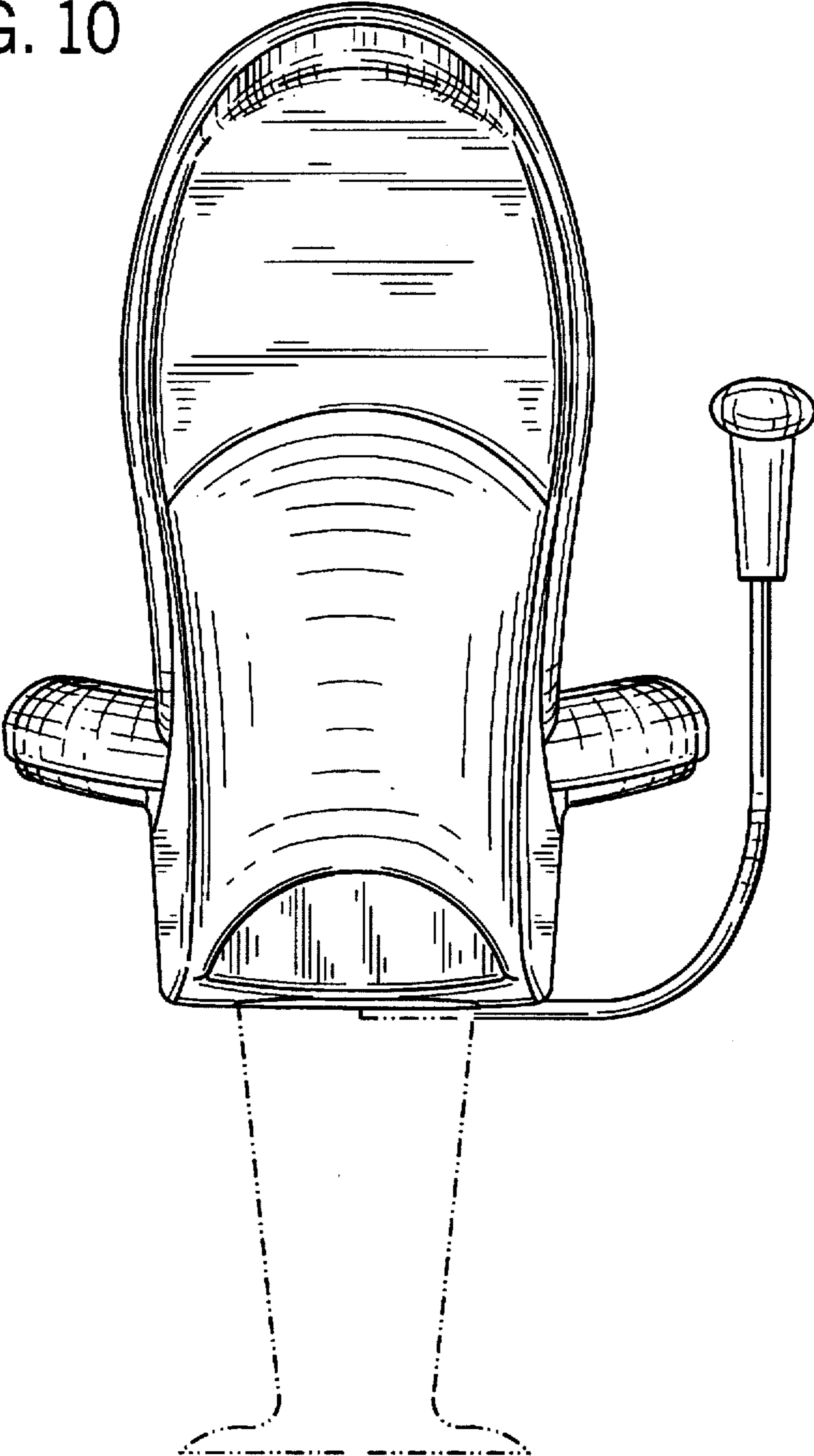


FIG. 10



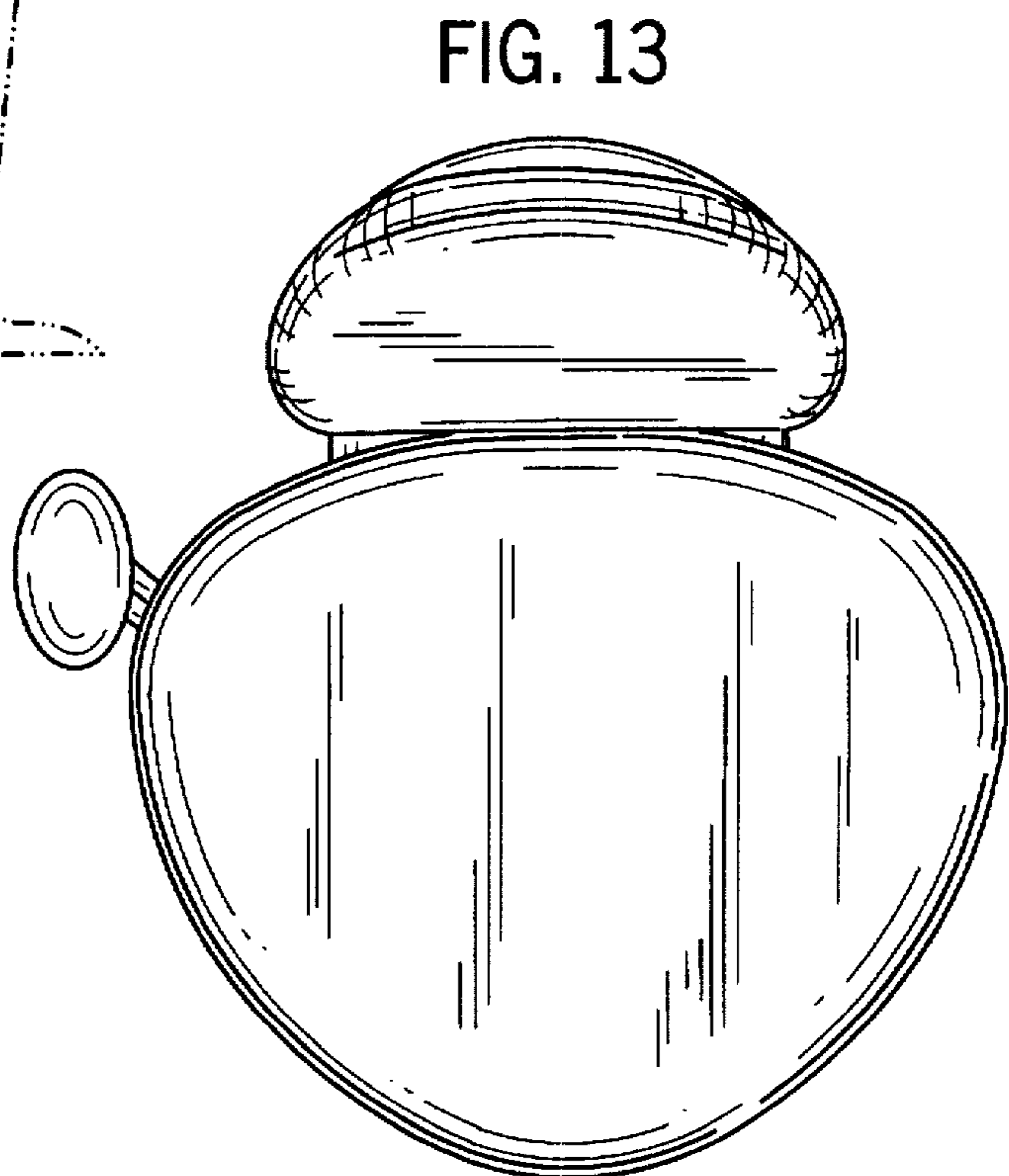
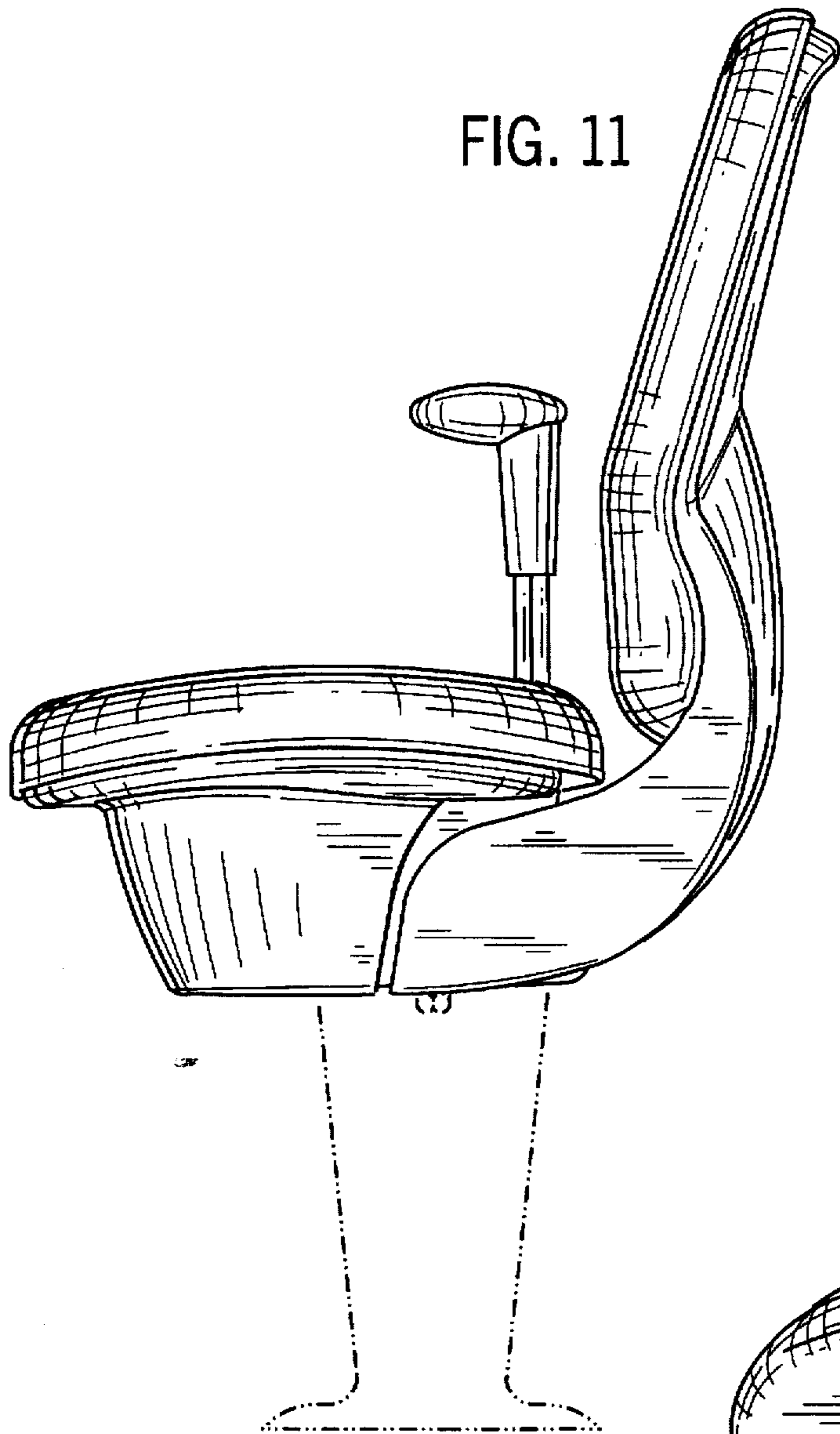




FIG. 12

