



US00D393946S

United States Patent [19] Borgström

[11] Patent Number: **Des. 393,946**

[45] Date of Patent: ****May 5, 1998**

[54] **TOOL CASE**

[75] Inventor: **Lars Borgström, Malmö, Sweden**

[73] Assignee: **Bernt Borgstrom Mekanisk Verkstad AB, Malmö, Sweden**

[**] Term: **14 Years**

[21] Appl. No.: **55,128**

[22] Filed: **May 30, 1996**

[30] **Foreign Application Priority Data**

Dec. 1, 1995 [SE] Sweden 95-2264

[51] LOC (6) Cl. **03-01**

[52] U.S. Cl. **D3/295; D3/276**

[58] Field of Search D3/269, 273, 274,
D3/283, 284, 286, 294, 295; 206/315.1,
315.2, 372, 373, 349

[56] **References Cited**

U.S. PATENT DOCUMENTS

1,600,601	9/1926	Sampson	206/315.2
4,182,391	1/1980	Kjose	206/315.1
4,383,563	5/1983	Kirchhoff, Jr.	206/315.2
5,071,147	12/1991	Stansbury	206/315.2
5,096,104	3/1992	Wirth	203/315.1

Primary Examiner—Philip S. Hyder
Attorney, Agent, or Firm—Tarolli, Sundheim, Covell,
Tummino & Szabo

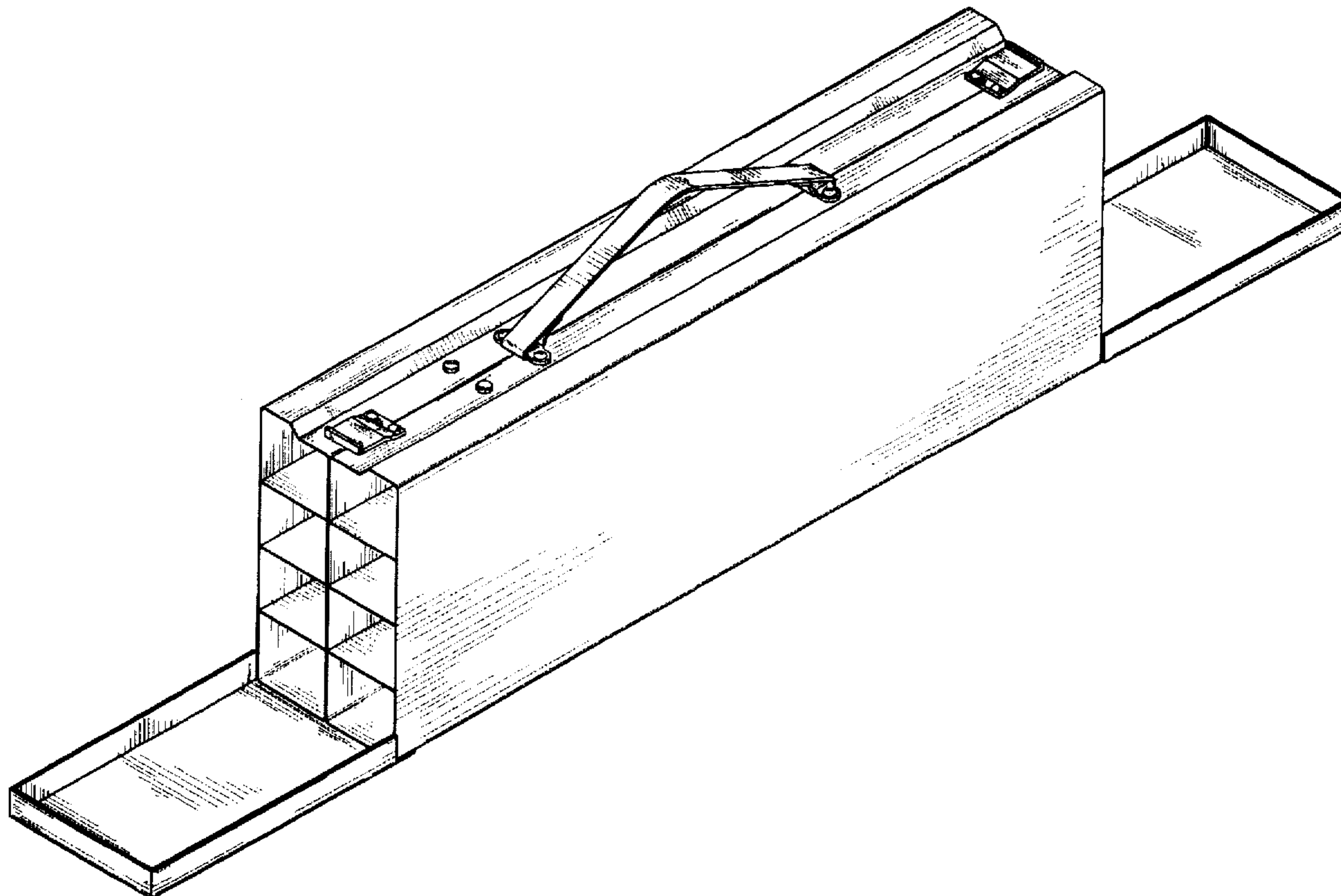
[57] **CLAIM**

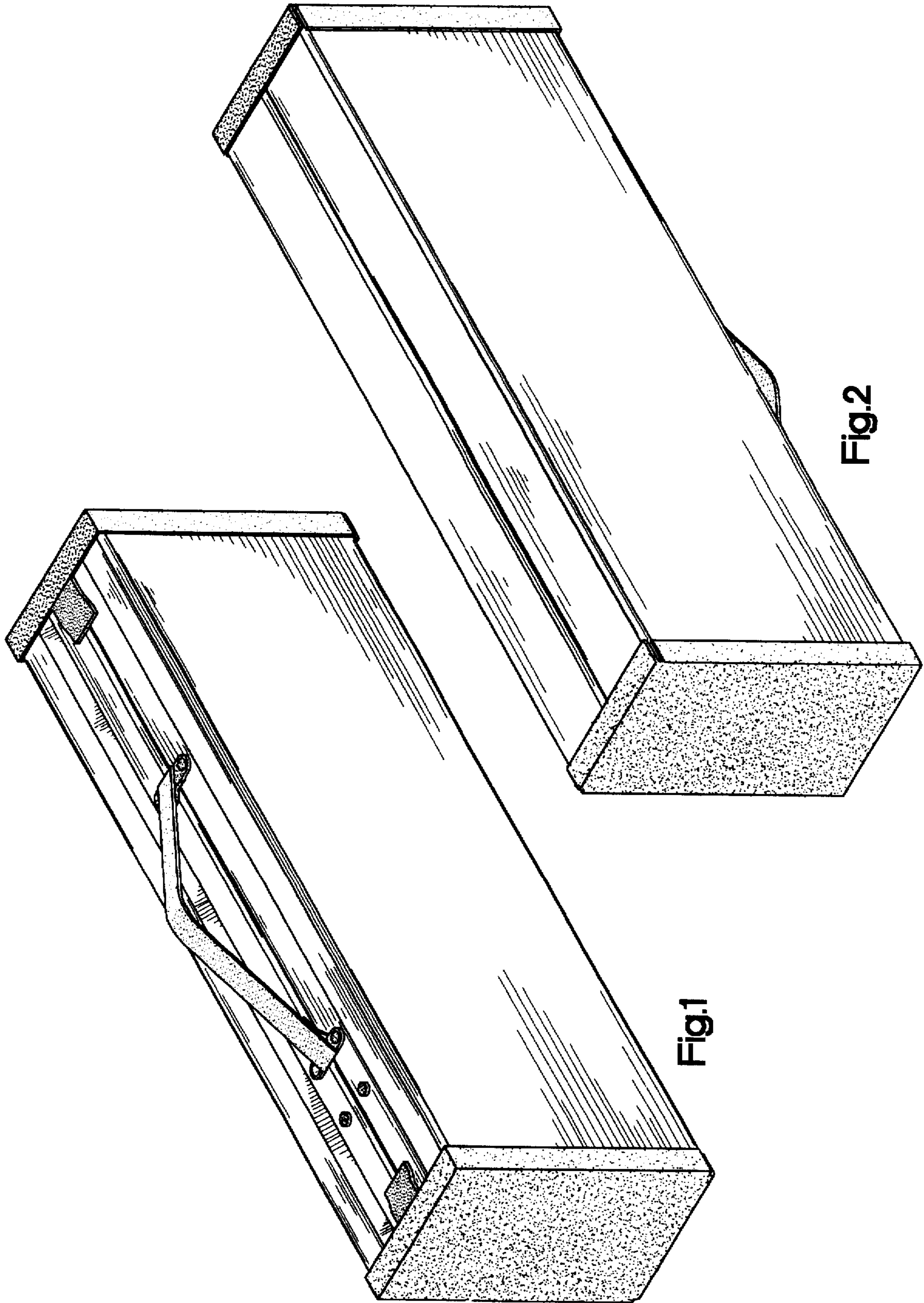
The ornamental design for a tool case, as shown and described.

DESCRIPTION

FIG. 1 is a top front perspective view of a tool case showing my design;
FIG. 2 is a bottom rear perspective view thereof;
FIG. 3 is a bottom plan view thereof;
FIG. 4 is a top plan view thereof;
FIG. 5 is a front elevational view thereof;
FIG. 6 is a side elevational view thereof;
FIG. 7 is a top front perspective view thereof, with the sides open;
FIG. 8 is a bottom rear perspective view thereof, with the sides open;
FIG. 9 is a bottom plan view thereof, with the sides open;
FIG. 10 is a top plan view thereof, with the sides open;
FIG. 11 is a front elevational view thereof, with the sides open; and,
FIG. 12 is a side elevational view thereof, with the sides open.

1 Claim, 5 Drawing Sheets





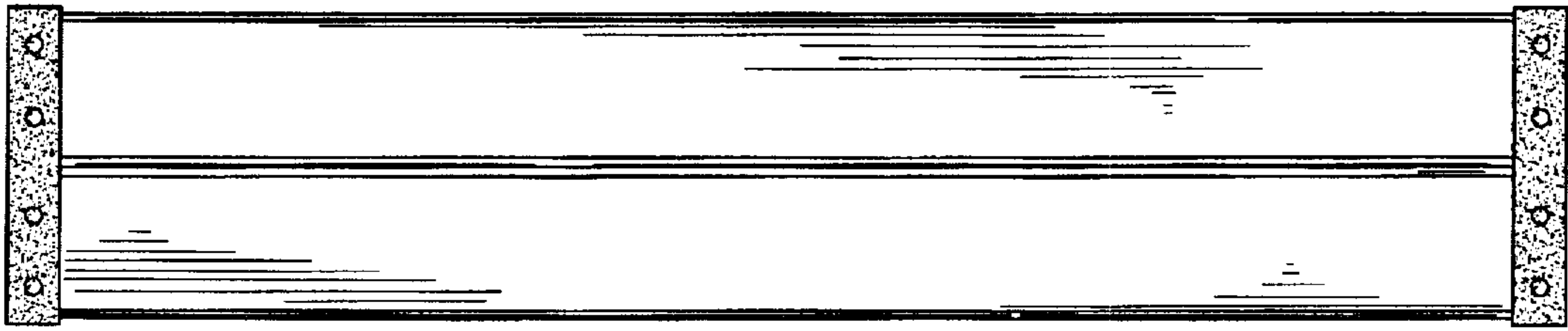


Fig.3

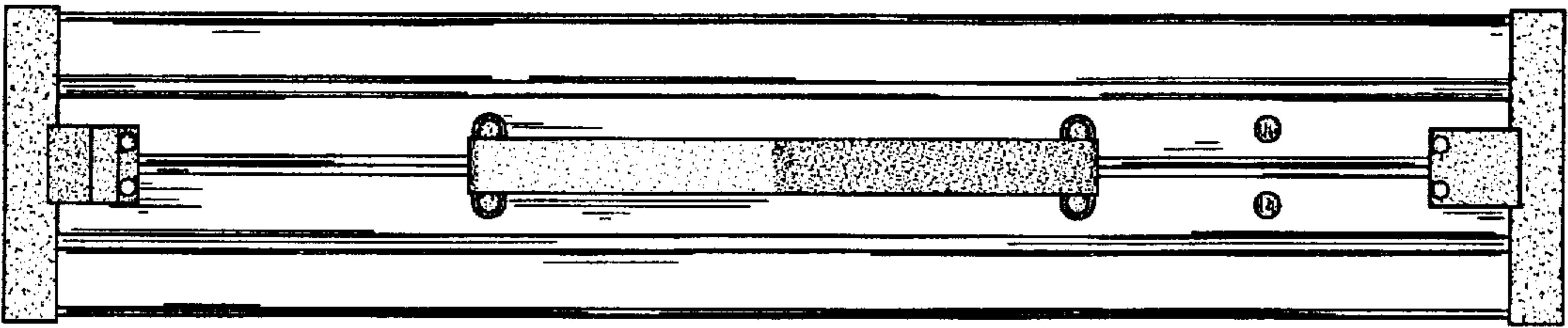


Fig.4

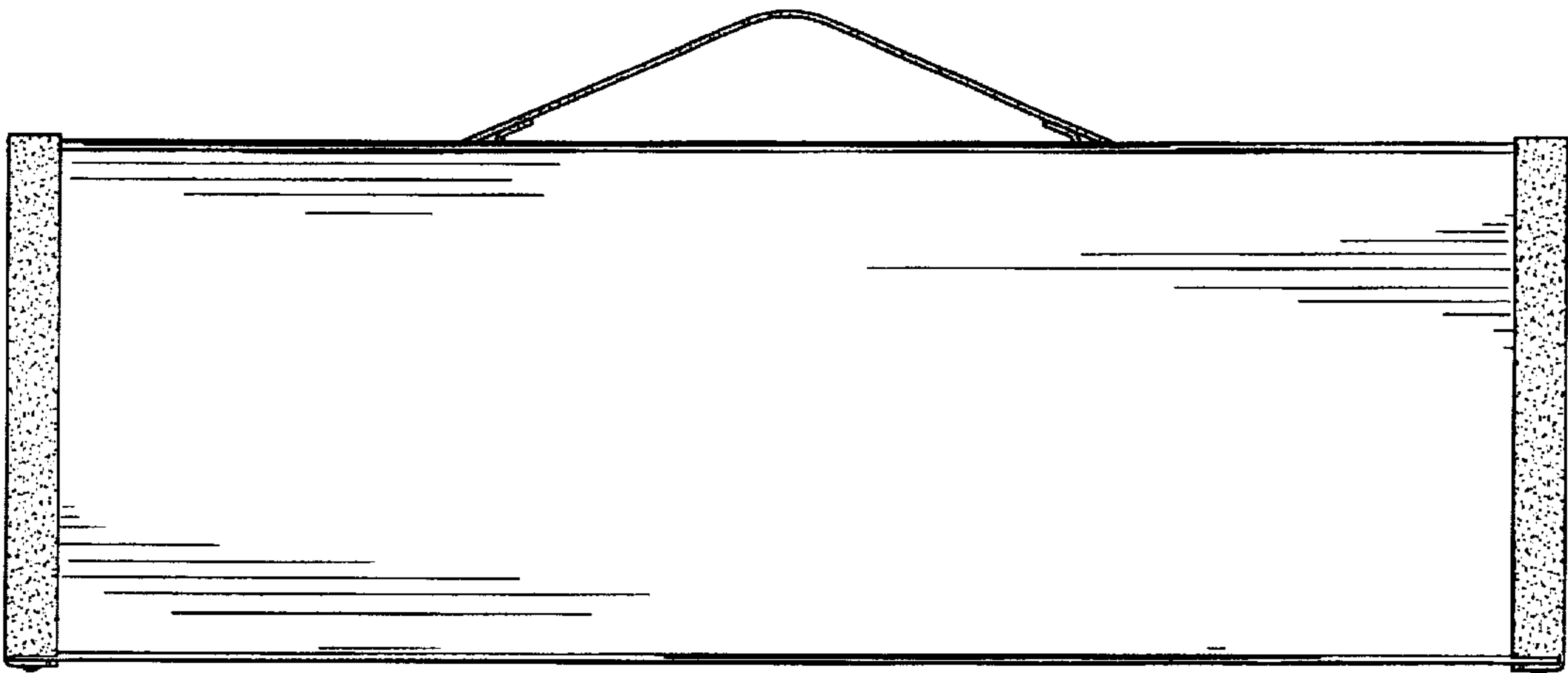


Fig.5

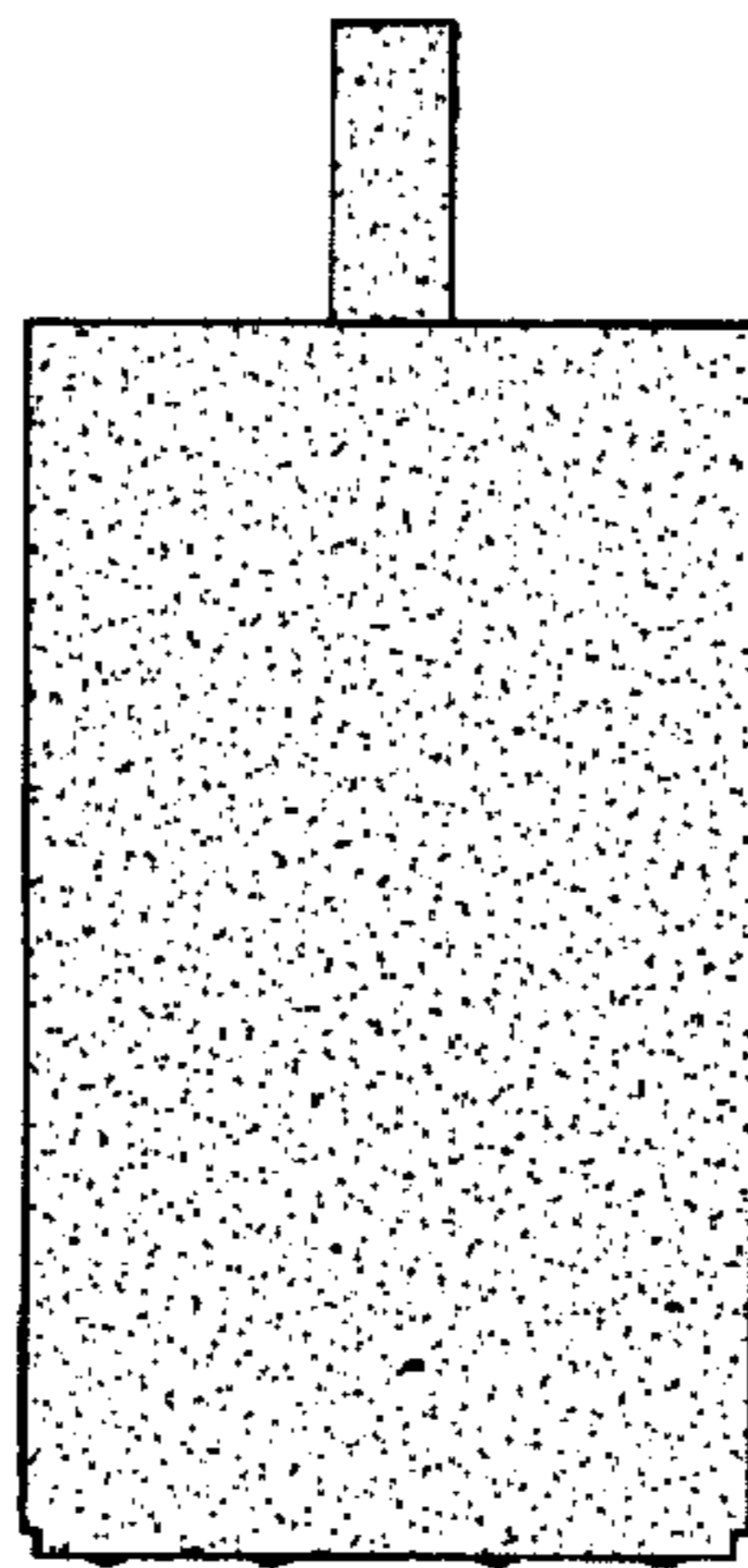


Fig.6

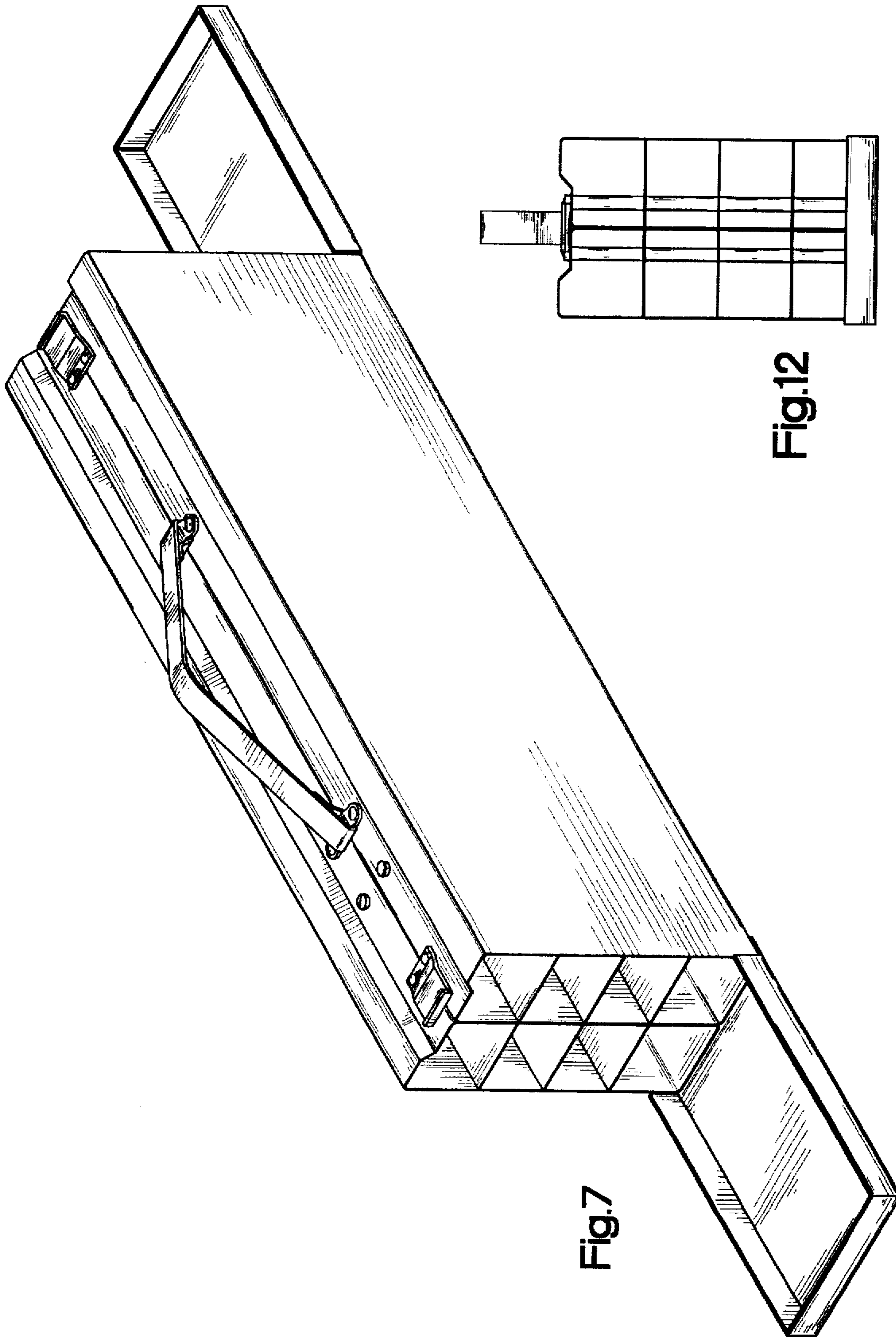


Fig.7

Fig.12

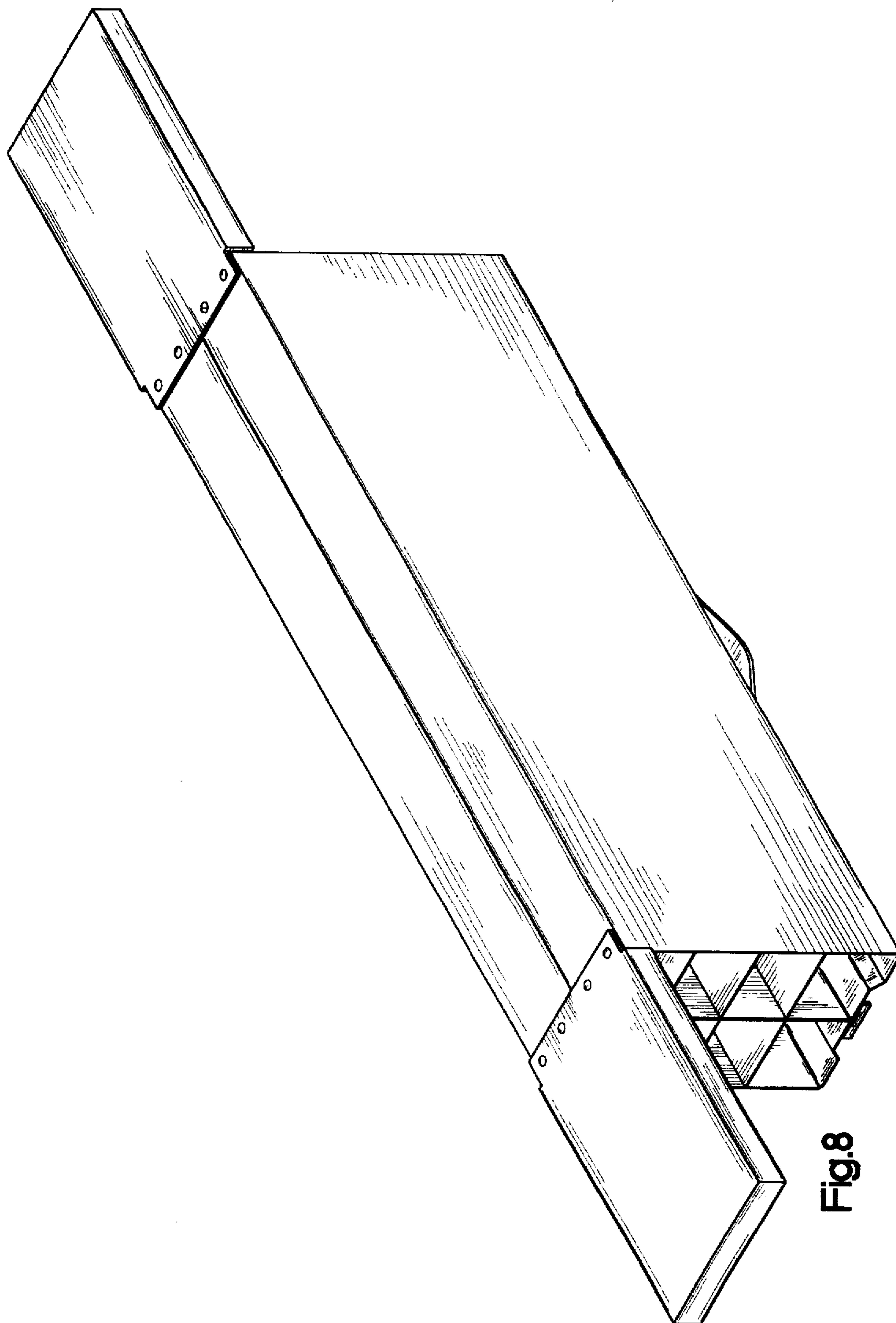


Fig. 8

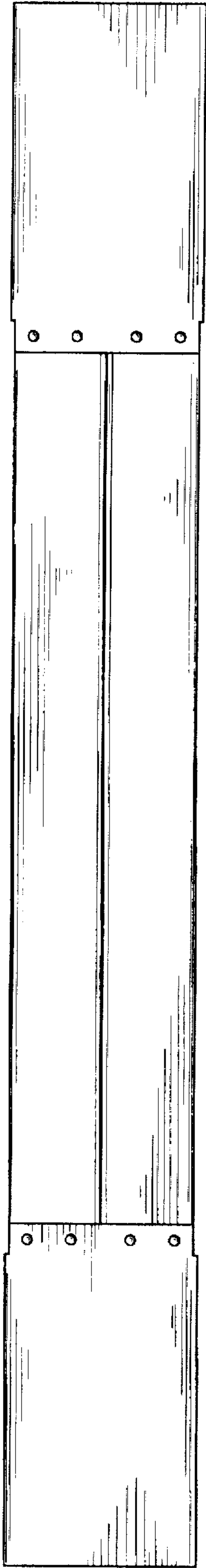


Fig.9

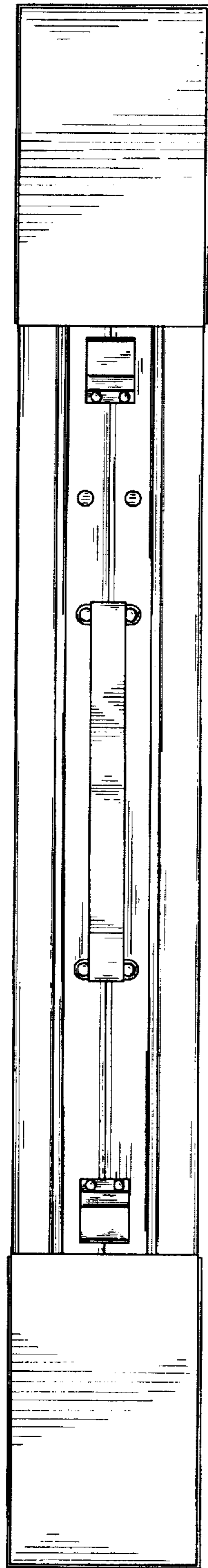


Fig.10

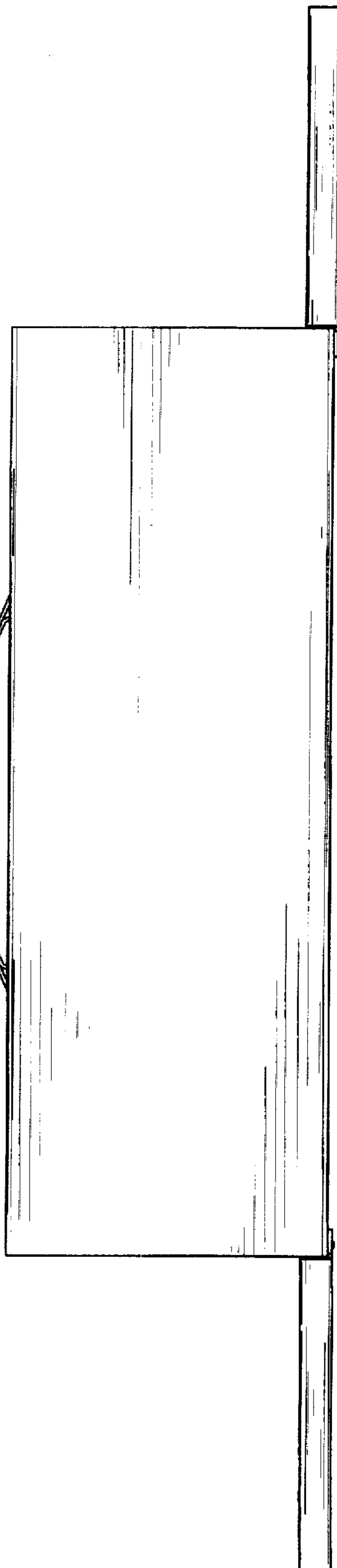


Fig.11