

US00D393944S

# United States Patent [19] Stowell

[11] Patent Number: **Des. 393,944**

[45] Date of Patent: **\*\*May 5, 1998**

[54] **COMBINED CARRYING CASE AND DISPLAY STAND**

4,790,416 12/1988 Baker ..... 312/244  
4,966,258 10/1990 Hawley ..... 312/244  
5,281,019 1/1994 Rodeck ..... 312/244

[76] Inventor: **William V. Stowell**, 1294 Polk 47,  
Mena, Ark. 71953

*Primary Examiner*—Philip S. Hyder  
*Attorney, Agent, or Firm*—Bauer & Schaffer

[\*\*] Term: **14 Years**

[57] **CLAIM**

[21] Appl. No.: **36,233**

The ornamental design for a combined carrying case and display stand, as shown and described.

[22] Filed: **Mar. 16, 1995**

**DESCRIPTION**

[51] LOC (6) Cl. .... **03-01**

[52] U.S. Cl. .... **D3/276; D3/274**

[58] Field of Search ..... D3/276, 274; 312/244,  
312/241; 190/11, 18, 110, 112, 113, 114,  
117

FIG. 1 is a front perspective view showing the top edge, the front or handle edge and the right side, wherein the display panels have been shown in an extended position; and, FIG. 2 is a bottom plan view thereof, wherein the top display panels have been shown in a retracted position.

[56] **References Cited**

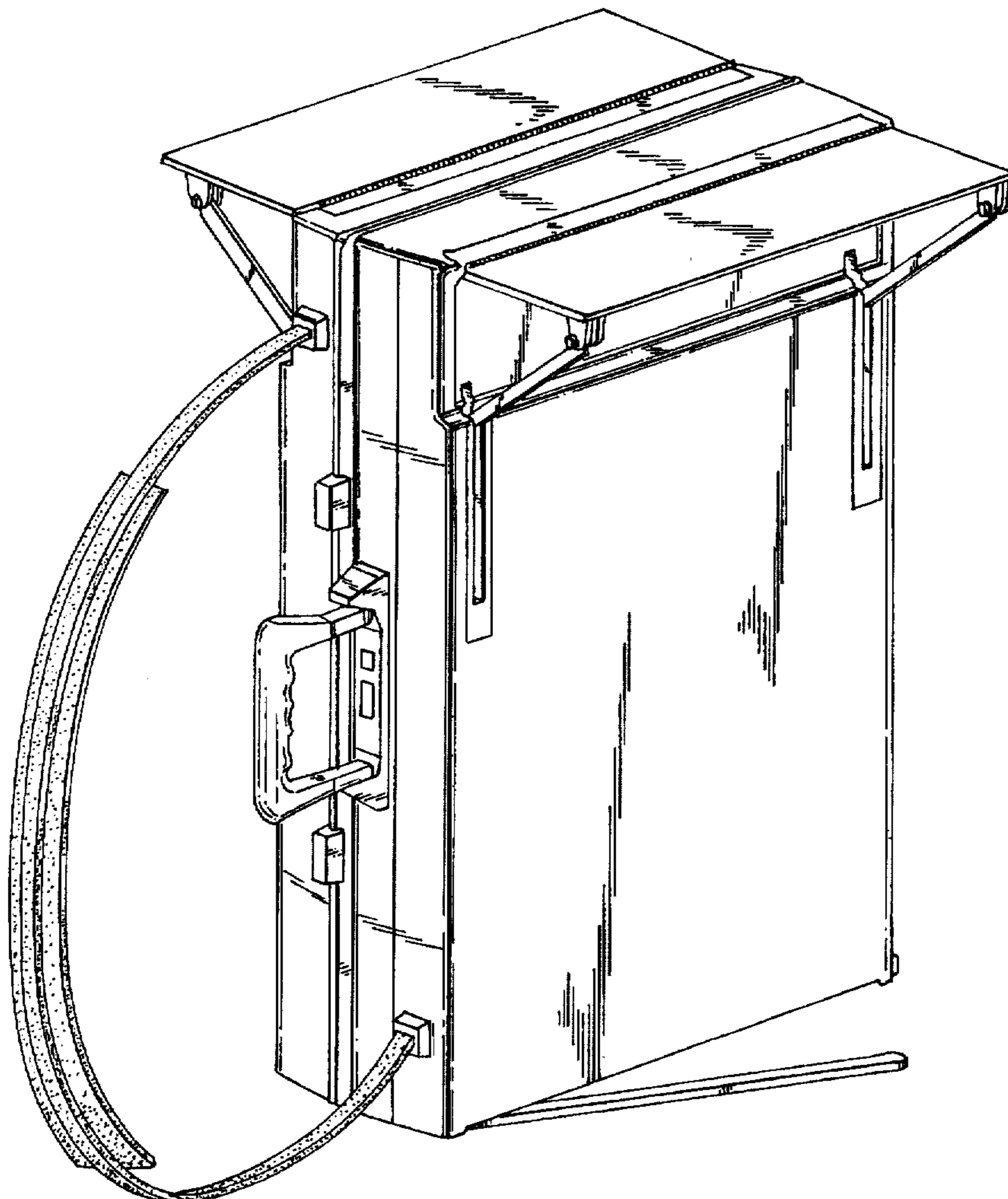
The left side of the case is a mirror image of the right side as shown in FIG. 1.

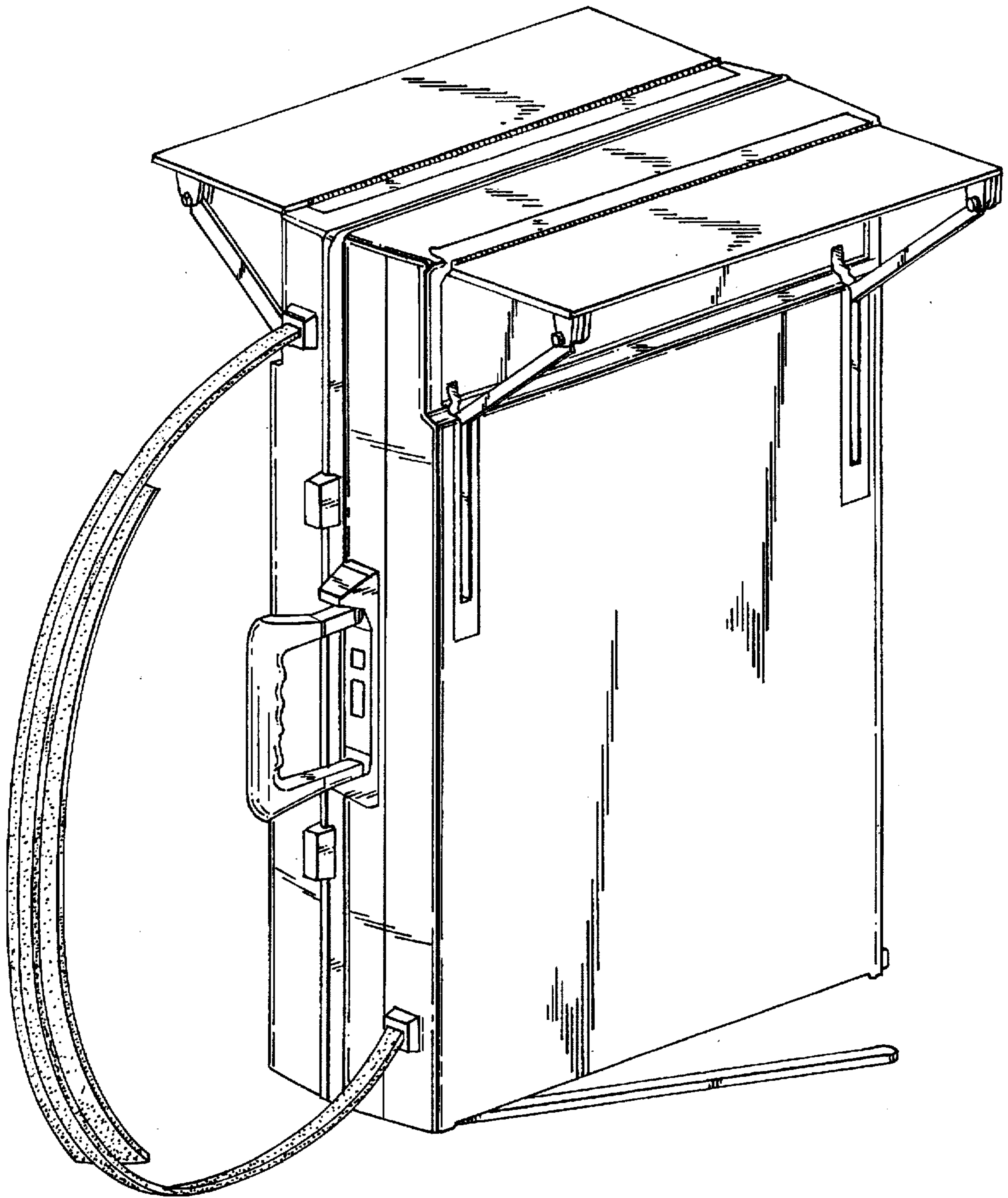
**U.S. PATENT DOCUMENTS**

The side opposite the handle forms not part of the claimed design.

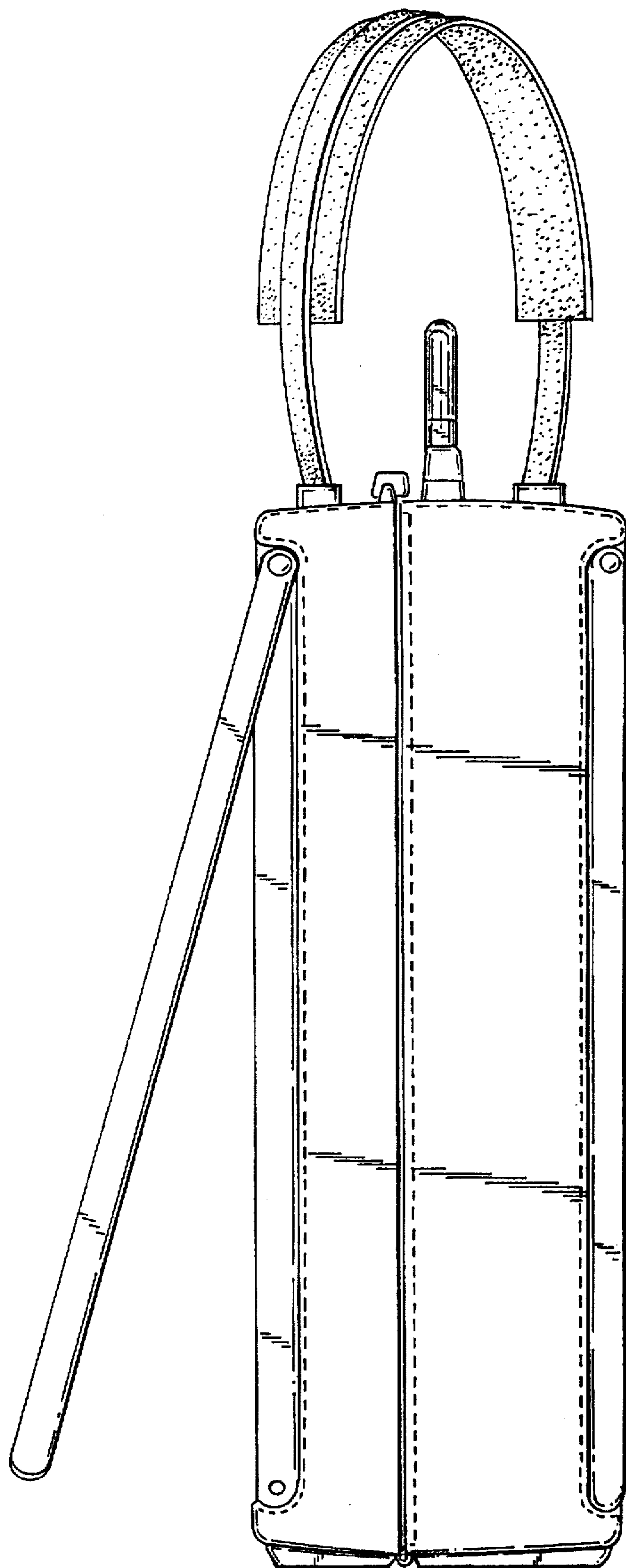
3,516,523	6/1970	Pemberton, Jr. ....	190/11
3,557,916	1/1971	Stowell .....	190/11
3,923,356	12/1975	Washburne .....	312/244
4,034,518	7/1977	Trecker .....	312/244

**1 Claim, 2 Drawing Sheets**





**Fig. 1**



**Fig. 2**