

US00D393942S

United States Patent [19]
Liaklev

[11] **Patent Number:** **Des. 393,942**
[45] **Date of Patent:** ****May 5, 1998**

[54] **TRACK FOR STORING FISH HOOKS**

[75] **Inventor:** **Geir Jørn Liaklev, Gjøvik, Norway**

[73] **Assignee:** **O. Mustad & Son, Gjøvik, Norway**

[**] **Term:** **14 Years**

[21] **Appl. No.:** **64,038**

[22] **Filed:** **Dec. 20, 1996**

[30] **Foreign Application Priority Data**

Jun. 24, 1996 [NO] Norway 960449

[51] **LOC (6) Cl.** **03-99**

[52] **U.S. Cl.** **D3/260; D22/134**

[58] **Field of Search** **D22/144, 134;**
43/57.1; D8/377; D25/119; D3/260

[56] **References Cited**

U.S. PATENT DOCUMENTS

- D. 203,635 2/1966 Vernon D25/119
- D. 252,285 7/1979 Brockway D25/119
- D. 270,187 8/1983 Whitehouse et al. D25/119

- D. 283,297 4/1986 Bancroft D25/119 X
- D. 294,867 3/1988 Meshulam D25/119
- D. 345,429 3/1994 Bancroft D25/119
- 4,676,016 6/1987 Phillips et al. D25/119 X

Primary Examiner—Doris V. Coles

Attorney, Agent, or Firm—Jacobson, Price, Holman & Stern, PLLC

[57] **CLAIM**

The ornamental design for a track for storing fish hooks, as shown and described.

DESCRIPTION

FIG. 1 is a top perspective view showing my new design for a storing profile for storing of fish hooks;
FIG. 2 is a bottom perspective view thereof;
FIG. 3 is a front and side perspective view thereof;
FIG. 4 is a side elevational view thereof;
FIG. 5 is a front elevational view thereof;
FIG. 6 is a rear elevational view thereof;
FIG. 7 is a bottom elevational view thereof, and
FIG. 8 is a top plan view thereof.

1 Claim, 3 Drawing Sheets

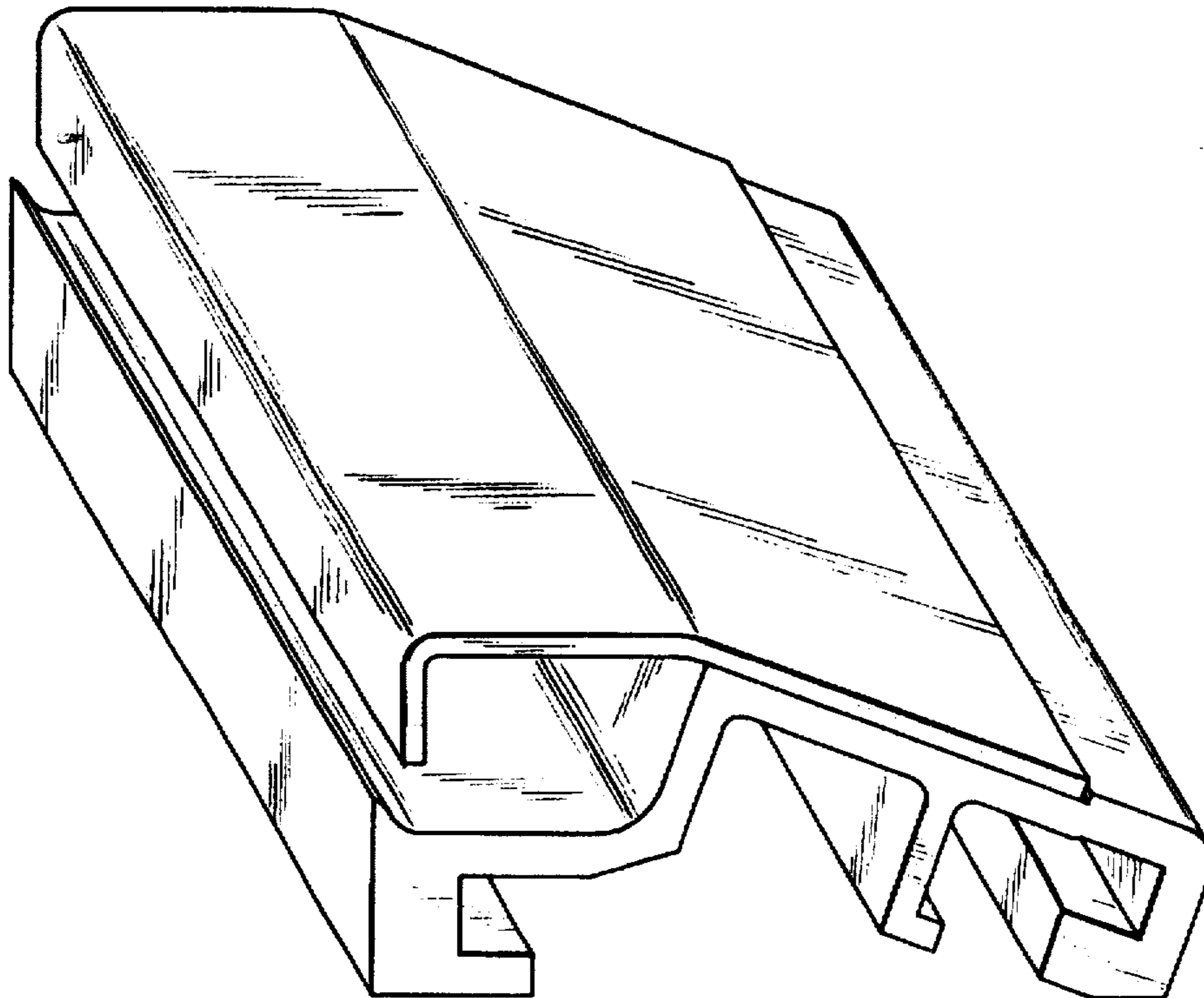


FIG. 1

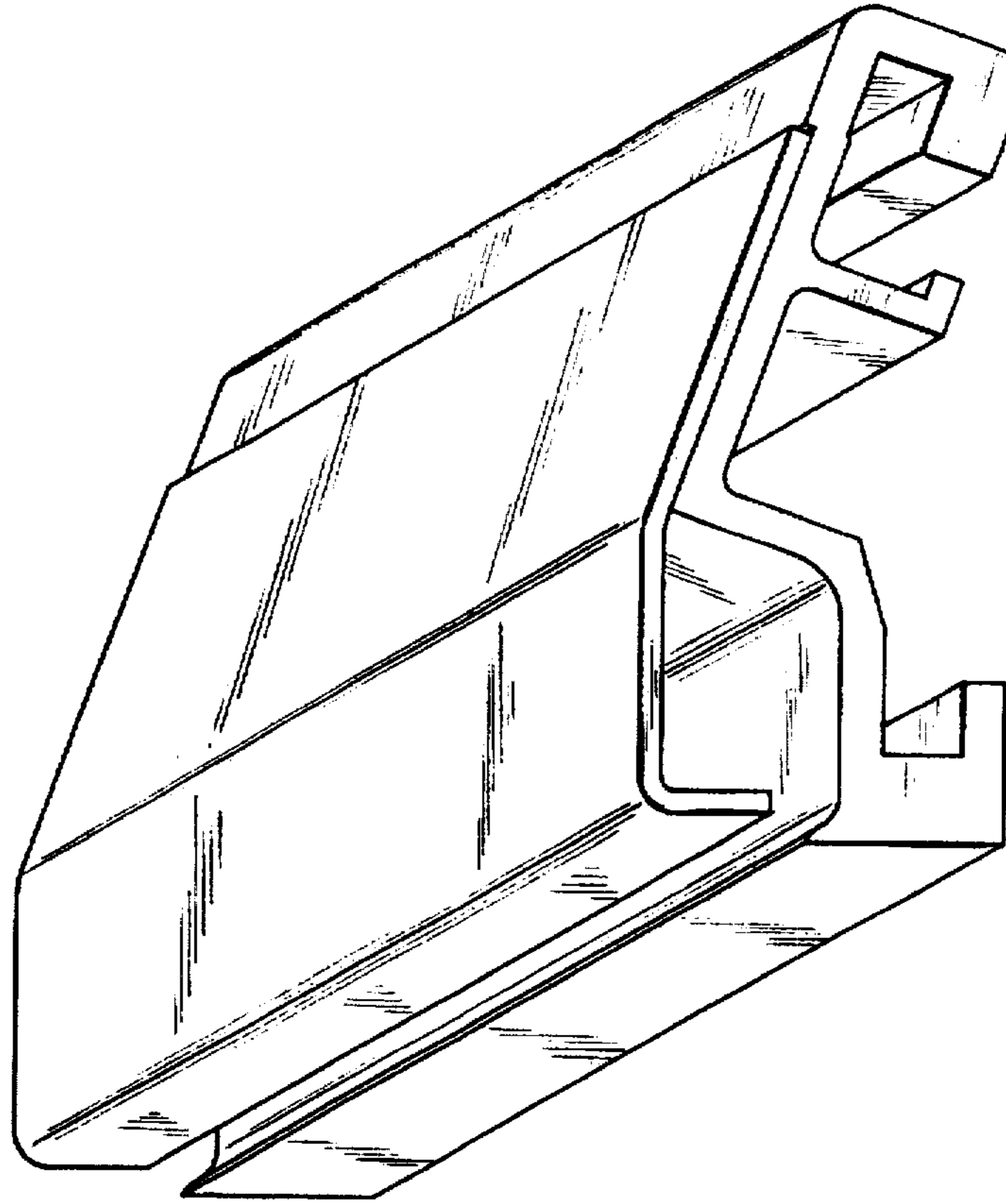


FIG. 2

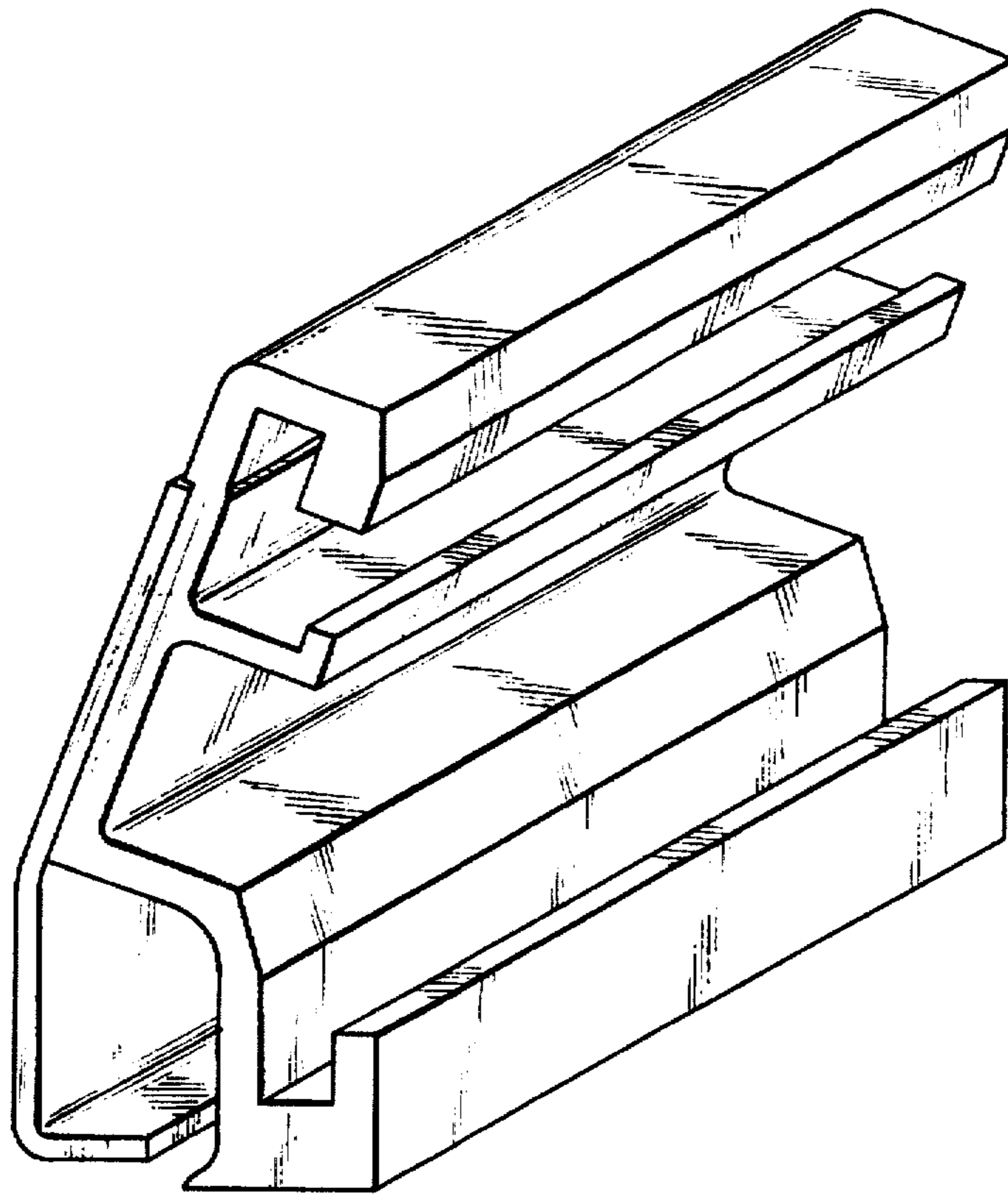


FIG. 3

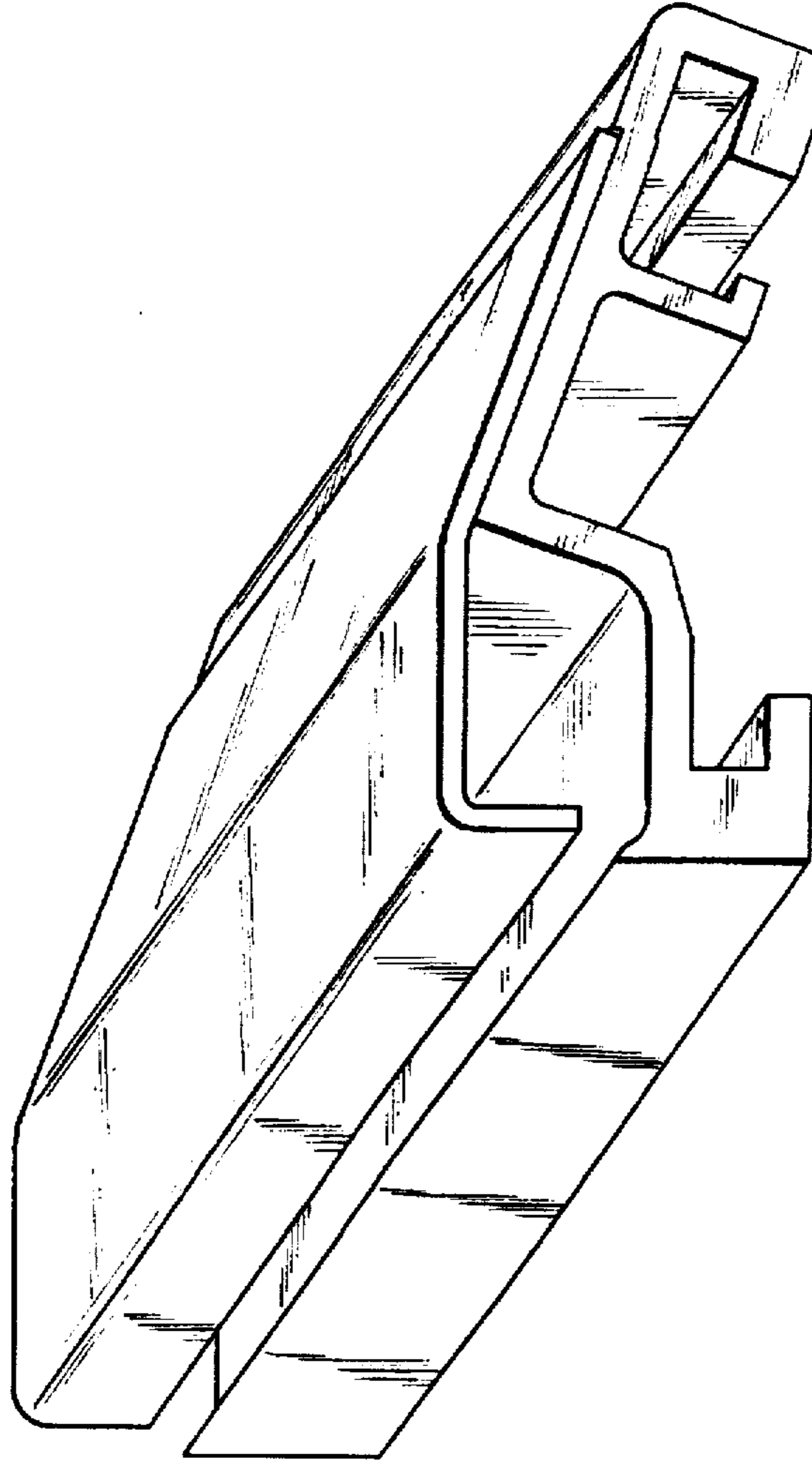


FIG. 4

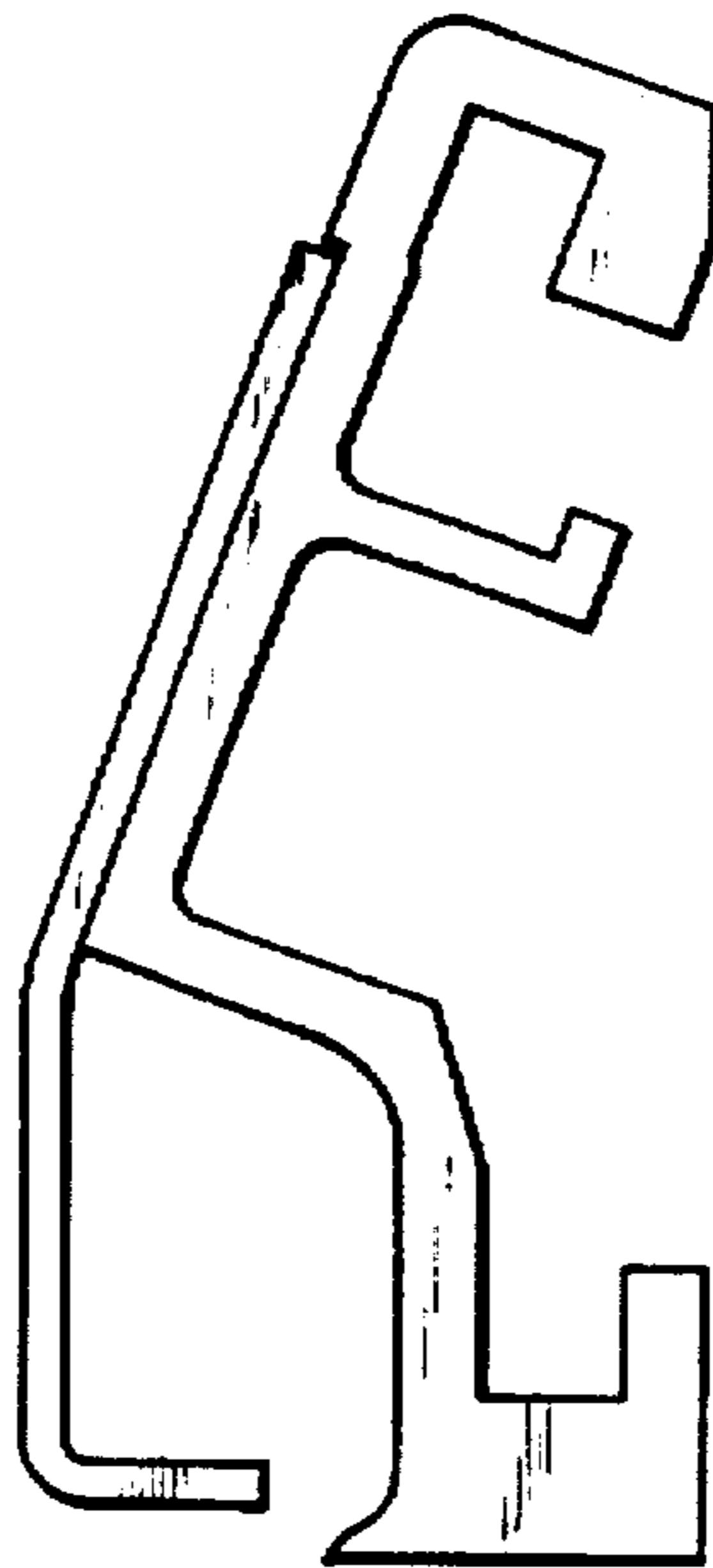


FIG. 5

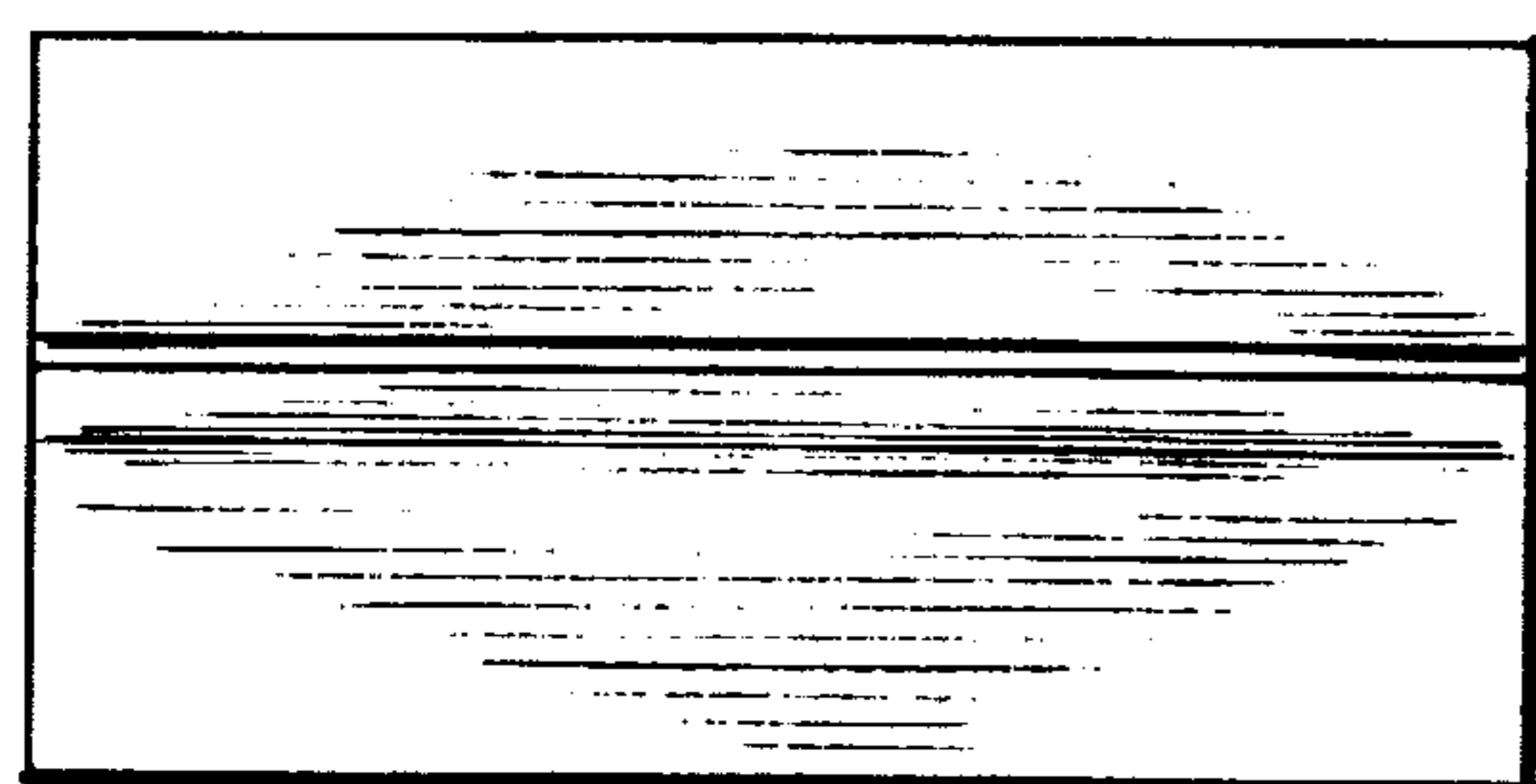


FIG. 6

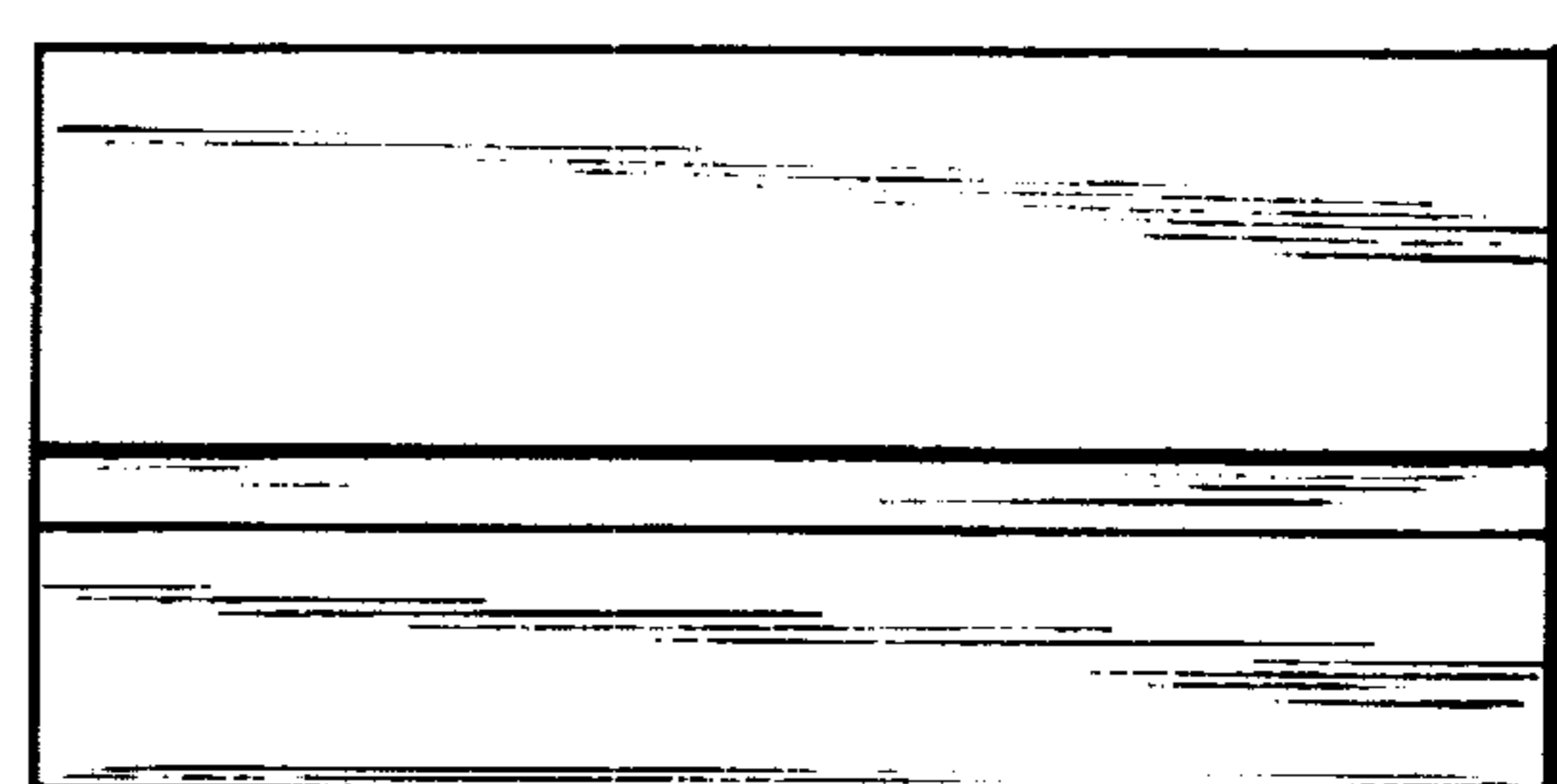


FIG. 7

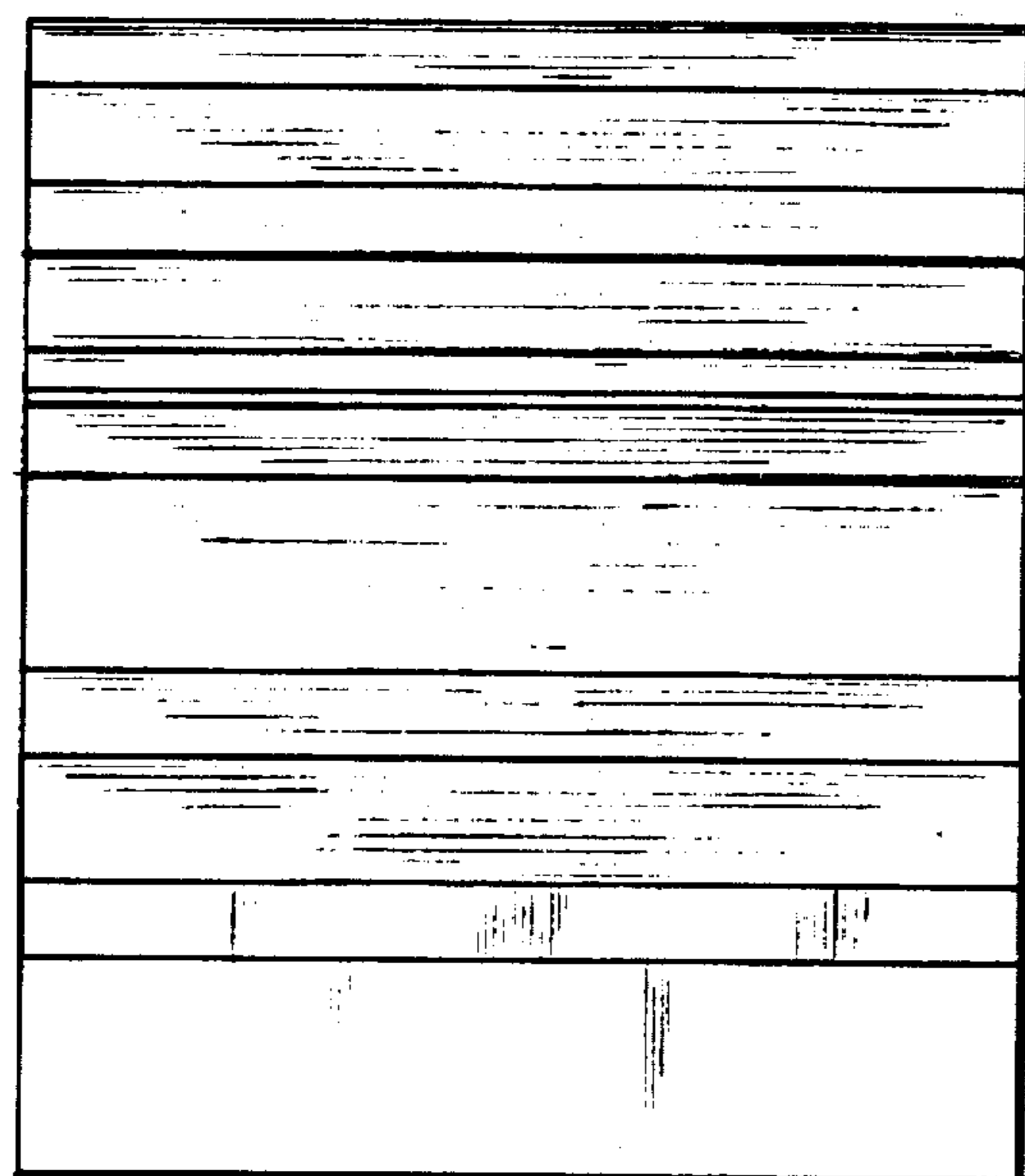


FIG. 8

