



US00D393941S

United States Patent [19]

Akutsu

[11] Patent Number: Des. 393,941

[45] Date of Patent: **May 5, 1998

[54] PORTABLE CASE

[76] Inventor: Akira Akutsu, Itabashi 1-36-4, 173 Itabashi-ku, Japan

[**] Term: 14 Years

[21] Appl. No.: 68,572

[22] Filed: Mar. 24, 1997

[30] Foreign Application Priority Data

Nov. 26, 1996 [JP] Japan 8-35635

[51] LOC (6) Cl. 03-01

[52] U.S. Cl. D3/226

[58] Field of Search D3/226, 224, 215, D3/228, 232, 233, 234, 243; 224/236, 240, 245, 901, 904

[56] References Cited

U.S. PATENT DOCUMENTS

- D. 062,199 4/1923 Brill D3/243
- D. 244,488 5/1977 Surie et al. D3/243
- D. 266,202 9/1982 Berman D3/243 X

Primary Examiner—Doris V. Coles
Assistant Examiner—Catherine R. Oliver
Attorney, Agent, or Firm—Howson and Howson

[57] CLAIM

Th ornamental design for a portable case, as shown and described.

DESCRIPTION

FIG. 1 is a front elevaitonal view of a portable case, showing my new design;

FIG. 2 is a top plan view thereof;

FIG. 3 is a right side elevational view thereof;

FIG. 4 is a bottom plan view thereof;

FIG. 5 is a rear elevational view thereof; and,

FIG. 6 is a perspective view thereof, showing the portable case in its opened condition.

The left side elevational view of the portable case ia a mirror image of the right side elevational view.

The broken line showing of environment in FIG. 6 is for illustrative purposes only, and forms no part of the claimed design.

1 Claim, 3 Drawing Sheets

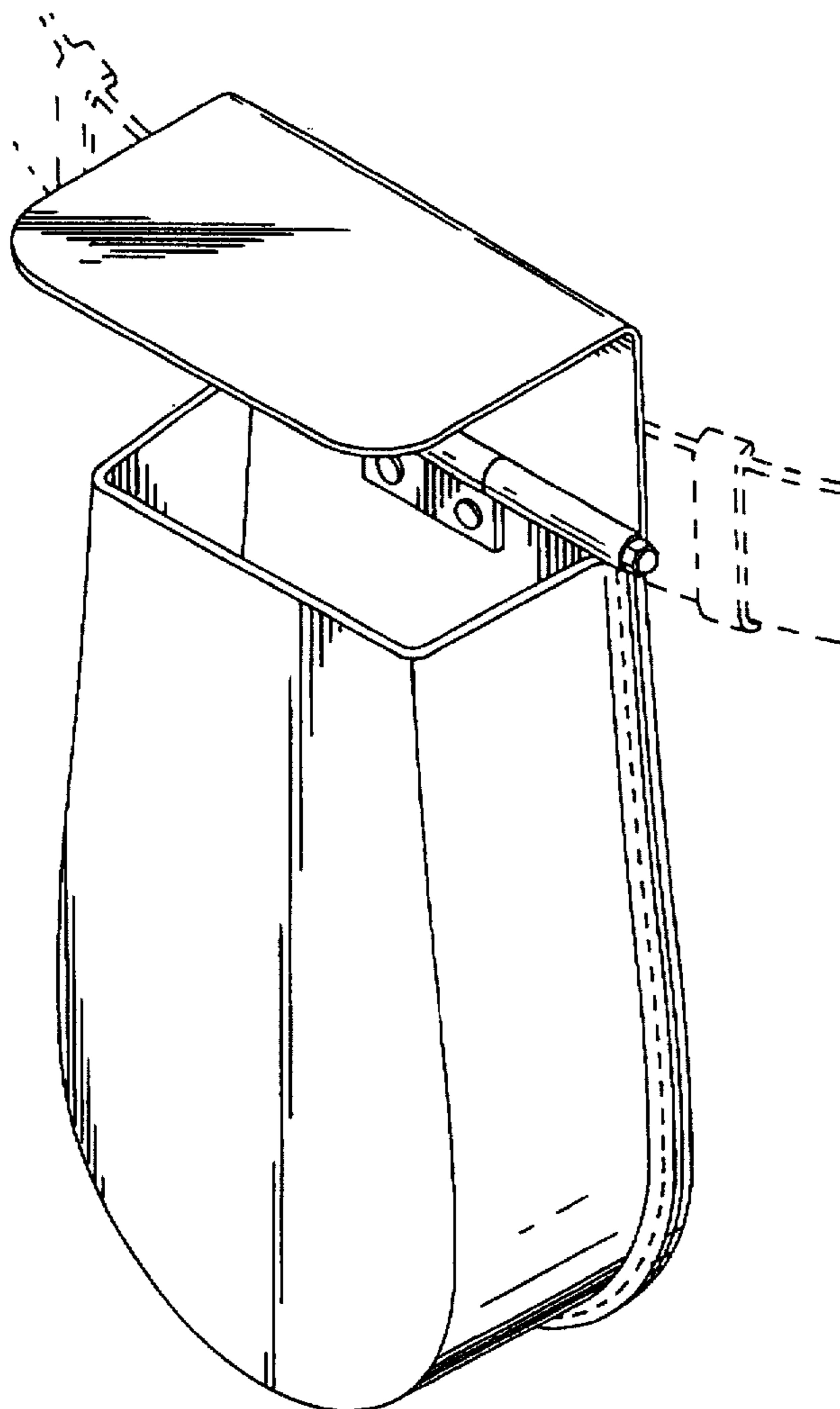


FIG. 2

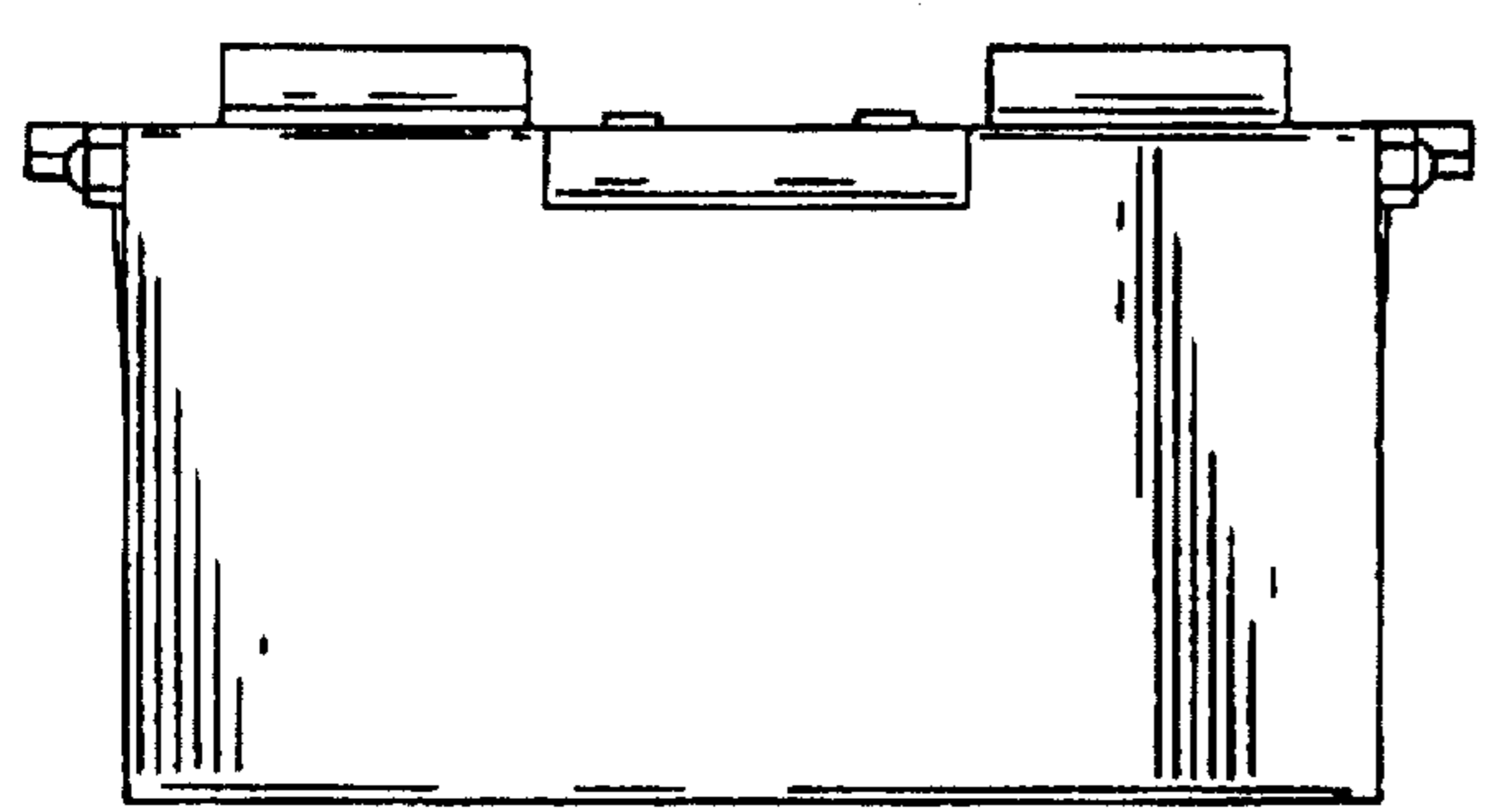


FIG. 1

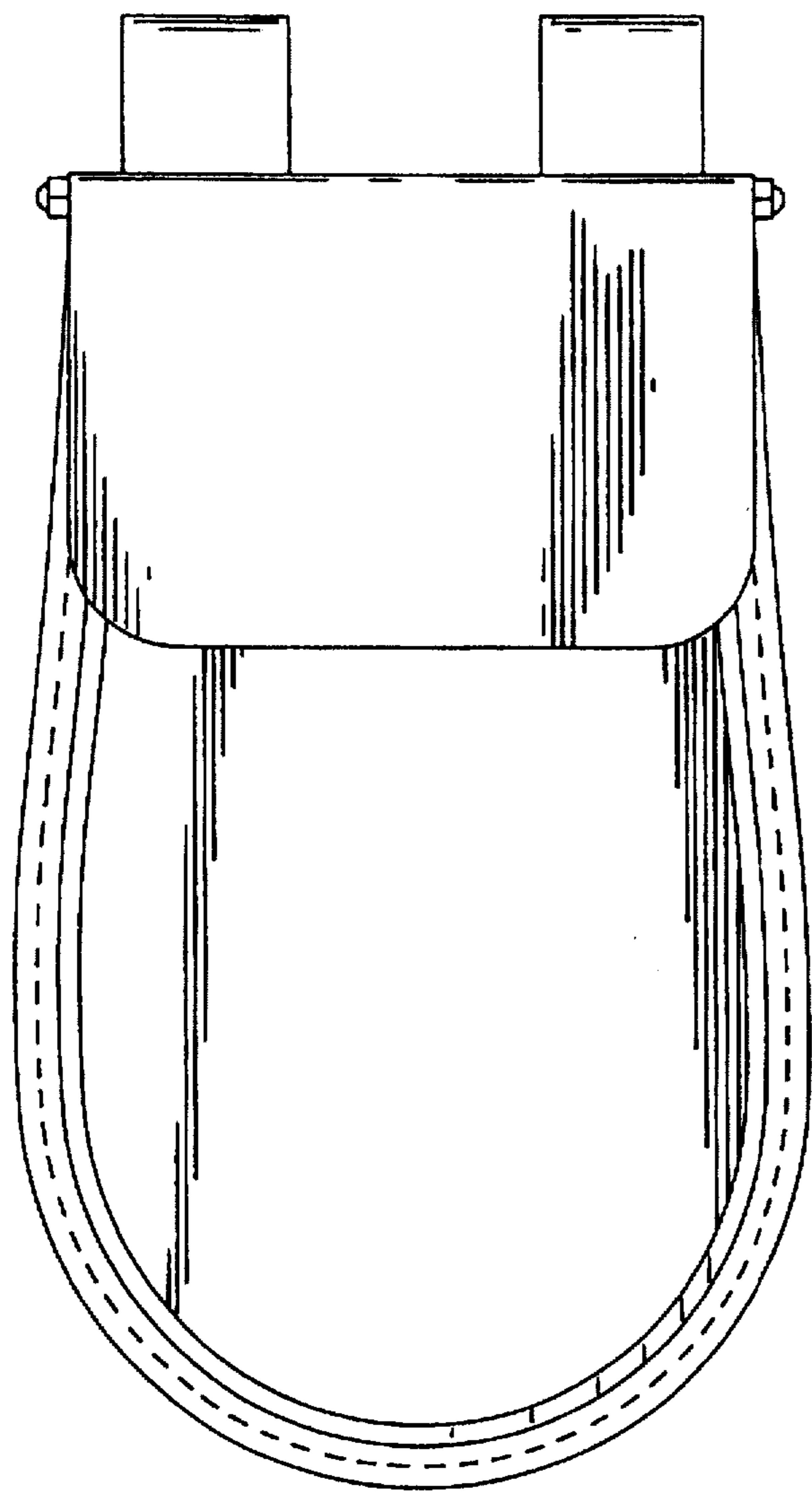


FIG. 3

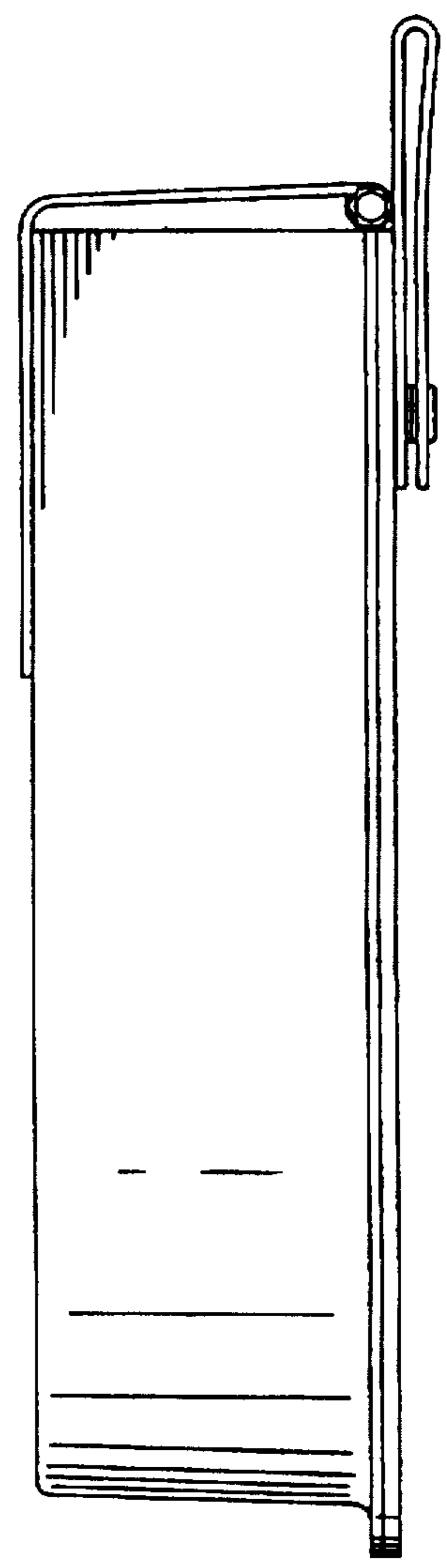


FIG. 4

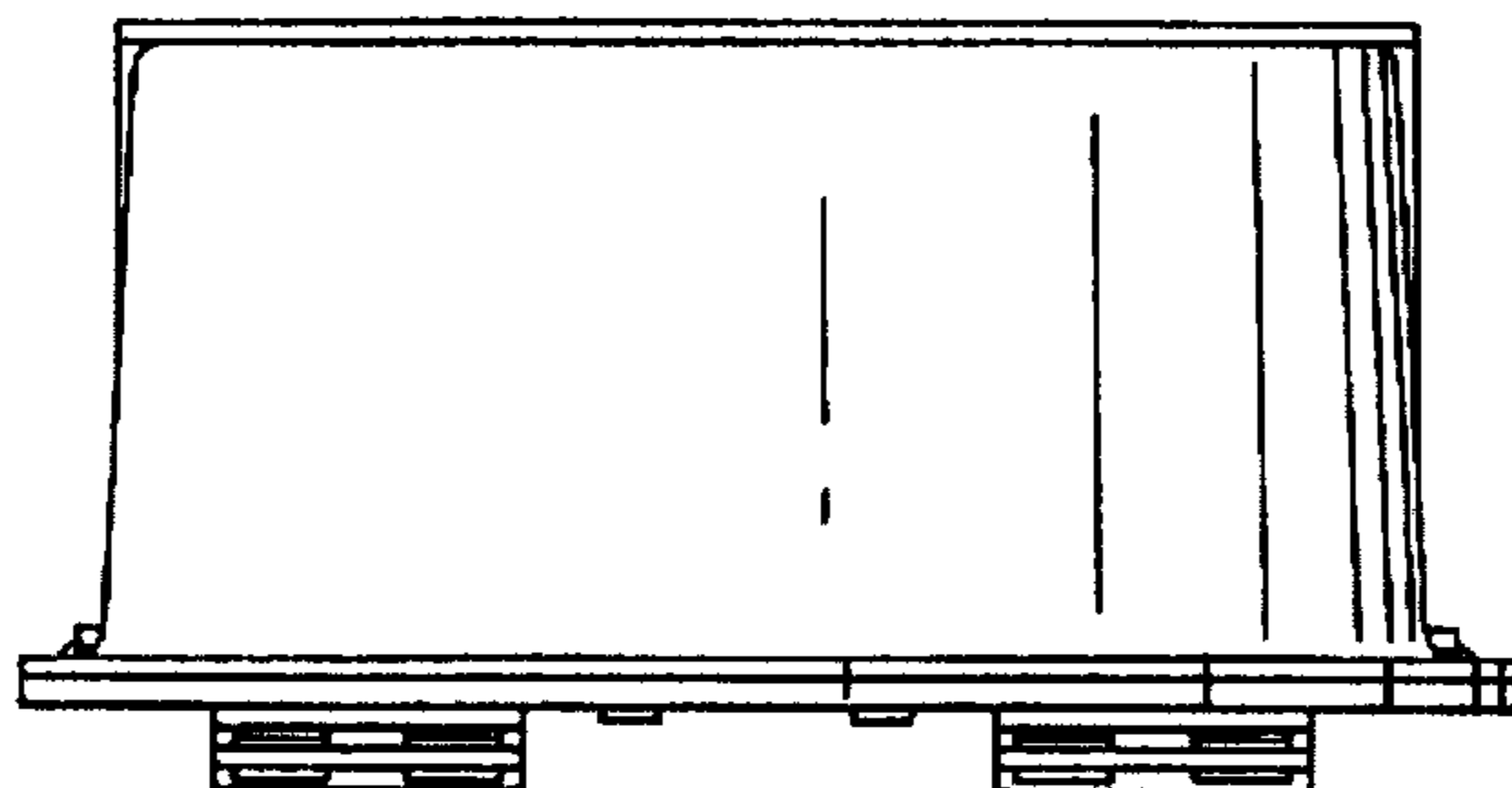


FIG. 5

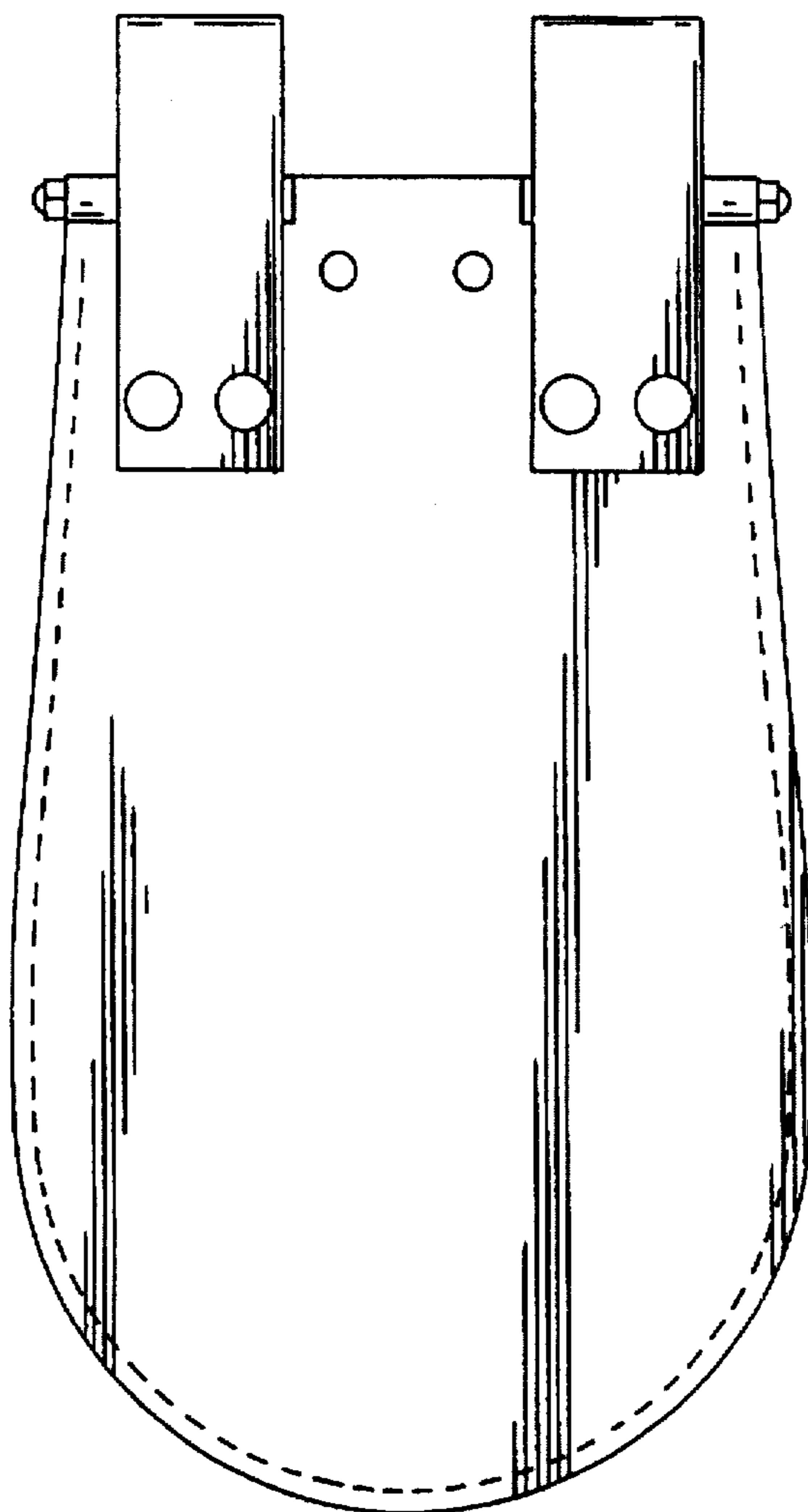


FIG. 6

